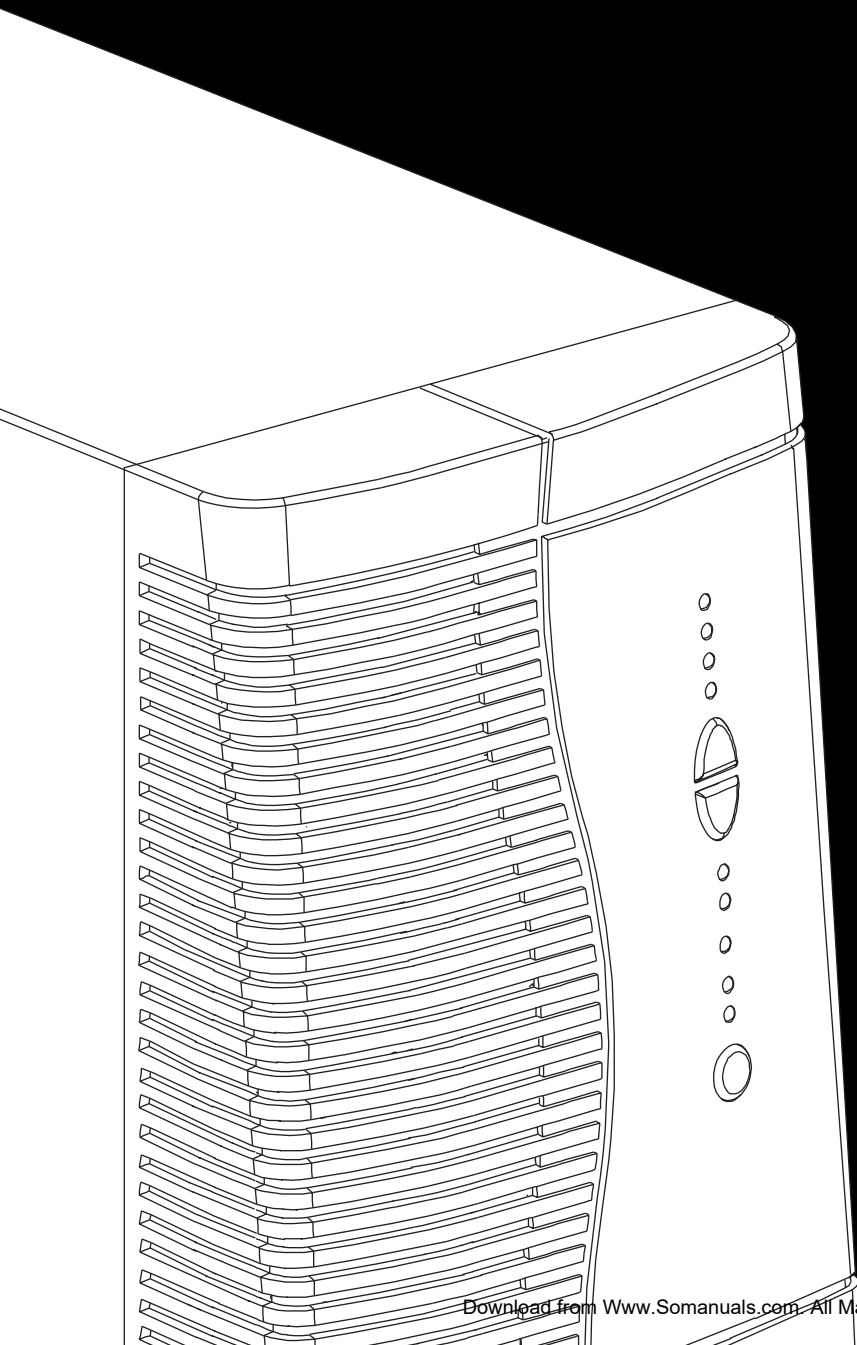


Pulsar EX

700 / 1000 / 1500

Installation and user manual



M G E
UPS SYSTEMS



Introduction

Thank you for selecting an MGE UPS SYSTEMS product to protect your electrical equipment.

The **Pulsar EX** range has been designed with the utmost care. We recommend that you take the time to read this manual to take full advantage of the many features of your UPS.

MGE UPS SYSTEMS pays great attention to the environmental impact of its products. Measures that have made **Pulsar EX** a reference in environmental protection include:

- ▶ the eco-design approach used in product development;
- ▶ recycling of **Pulsar EX** at the end of its service life.

To discover the entire range of MGE UPS SYSTEMS products and the options available for the **Pulsar EX** range, we invite you to visit our web site at www.mgeups.com or contact your MGE UPS SYSTEMS representative.

Safety rules

Safety of persons

A UPS has its own internal power source (the battery). Consequently, the power outlets may be energised even if the UPS is disconnected from the AC-power source.



Dangerous voltage levels are present within the UPS. It should be opened exclusively by qualified service personnel.

The UPS must be properly earthed. Measurements are required to ensure that the total leakage current of the UPS and the protected equipment does not exceed 3.5 mA.

The battery supplied with the UPS contains small amounts of toxic materials. To avoid accidents, the directives listed below must be observed:

- ▶ **Never burn the battery (risk of explosion).**
- ▶ **Do not attempt to open the battery (the electrolyte is dangerous for the eyes and skin).**
- ▶ **Comply with all applicable regulations for the disposal of the battery.**
- ▶ **Batteries constitute a danger (electrical shock, burns). The short-circuit current may be very high. Precautions must be taken for all handling.**

Product safety

UPSs must be connected to a nearby wall outlet that is easily accessible.

The UPS can be disconnected from the AC-power source by removing the power cord.

- ▶ Never install the UPS near liquids or in an excessively damp environment.
- ▶ Never let a foreign body penetrate inside the UPS.
- ▶ Never block the ventilation grates of the UPS.
- ▶ Never expose the UPS to direct sunlight or a source of heat.

Special precautions

The UPS connection instructions contained in this manual must be followed in the indicated order.

Check that the indications on the rating plate correspond to your AC-power system and to the actual electrical consumption of all the equipment to be connected to the UPS.

If the UPS must be stored prior to installation, storage must be in a dry place.

The admissible storage temperature range is -20° C to +45° C.

If the UPS remains de-energised for a long period, we recommend that you energise the UPS for a period of 24 hours, at least once every month. This charges the battery, thus avoiding possible irreversible damage.

Prior to handling the battery:

- ▶ remove all watches, rings, bracelets and any other metal objects;
- ▶ use tools with insulated handles.

Foreword

Using this document

Information may be found primarily by consulting:

- ▶ the contents,
- ▶ the index.

Pictograms



Important instructions that must always be followed.



Information, advice, help.



Visual indication.



Action.



Audio indication.

In the illustrations on the following pages, the symbols below are used:



LED off.



LED on.



LED flashing.

1. Presentation	
1.1 Pulsar EX range	7
Tower model	7
Rack model	7
1.2 Back	8
Tower model	8
Rack model	9
1.3 Control panel	10
2. Installation	
2.1 Unpacking and checks	11
Tower model	11
Rack model	12
2.2 Installation of the rack version	13
2.3 Connection to the RS 232 or USB communications port (optional)	14
2.4 Installation of the communications-card option	15
Tower model	15
Rack model	15
2.5 Connections	16
Tower model	16
Rack model	16
3. Operation	
3.1 Start-up	17
3.2 Bargraph indications	17
3.3 Operation on battery power (following failure of AC input power)	18
Transfer to battery power	18
Threshold for the low-battery warning	18
End of backup time	18
Sleep mode	18



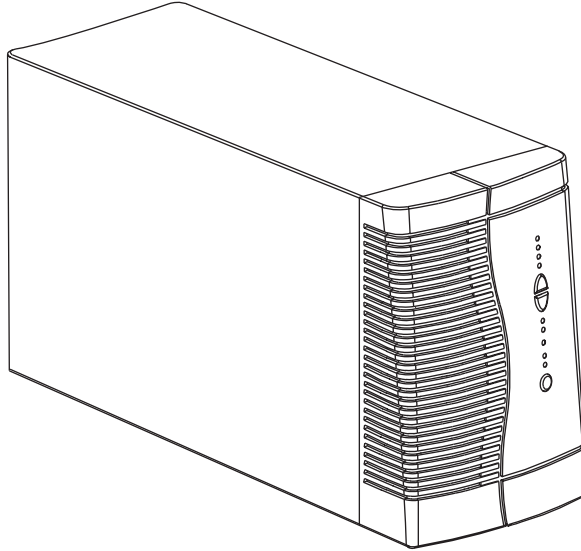
Contents

3.4 Personalisation (optional)	19
Function	19
"ON / OFF conditions" tab	19
"Battery" tab	19
"Output" tab	20
"Bypass" tab	20
3.5 Shutdown	20
4. Maintenance	
4.1 Troubleshooting	21
4.2 Replacement of the battery module	22
Tower model	22
Rack model	23
5. Environment	24
6. Appendices	
6.1 Technical characteristics	25
Simplified diagram	25
Operating conditions	25
6.2 Glossary	26
6.3 Index	27

1. Presentation

1.1 Pulsar EX range

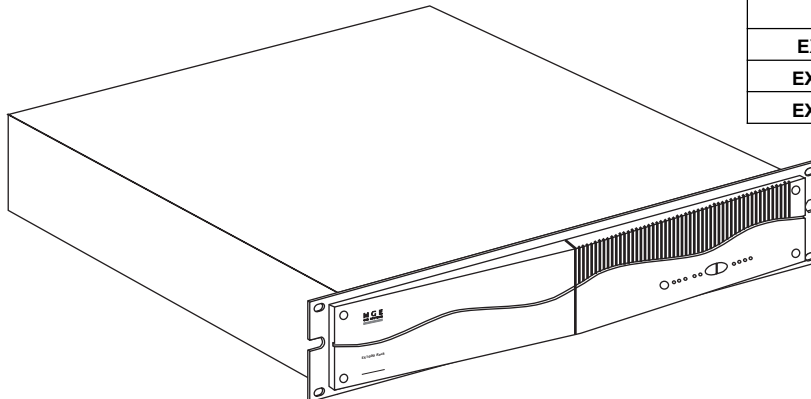
Tower model



	Dimensions in mm (H x W x D)
EX 700 / EX 1000	235.5 x 145 x 400
EX 1500	235.5 x 145 x 505

	Weight in kg
EX 700	10
EX 1000	12
EX 1500	15

Rack model



	Dimensions in mm (H x W x D)
EX 700 Rack	88 (2U) x 482.6 x 430
EX 1000 Rack	88 (2U) x 482.6 x 430
EX 1500 Rack	88 (2U) x 482.6 x 493

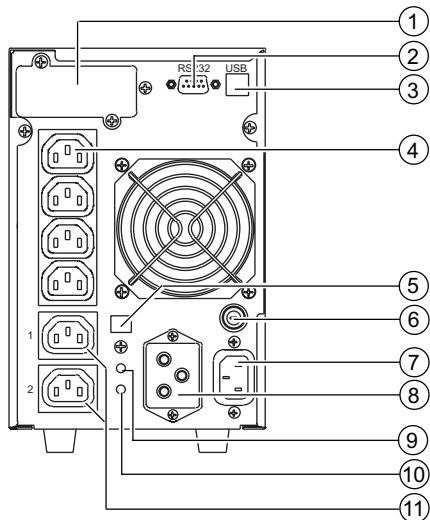
	Weight in kg
EX 700 Rack	14
EX 1000 Rack	16
EX 1500 Rack	20

1. Presentation

1.2 Back

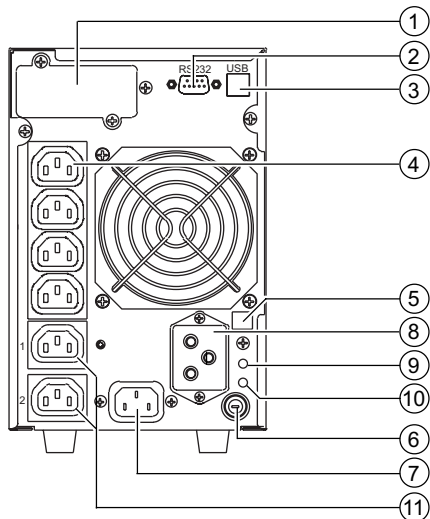
Tower model

Pulsar EX 700 / Pulsar EX 1000



- ① slot for communications-card option.
- ② RS232 communications port.
- ③ USB communications port.
- ④ four outlets for direct connection of protected equipment.
- ⑤ connector for automatic detection of an additional battery module.
- ⑥ input circuit breaker.
- ⑦ socket for connection to AC-power source.
- ⑧ connector for an additional battery module.

Pulsar EX 1500

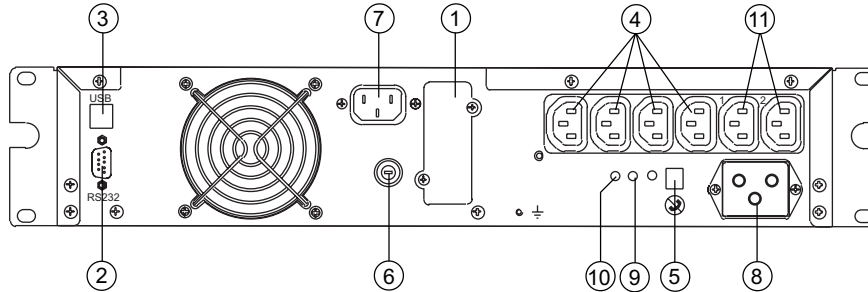


- ⑨ pushbutton to test phase/neutral inversion of AC-power source.
- ⑩ LED indicating phase/neutral inversion of AC-power source.
- ⑪ two programmable outlets (outlet 1 and 2).

1. Presentation

Rack model

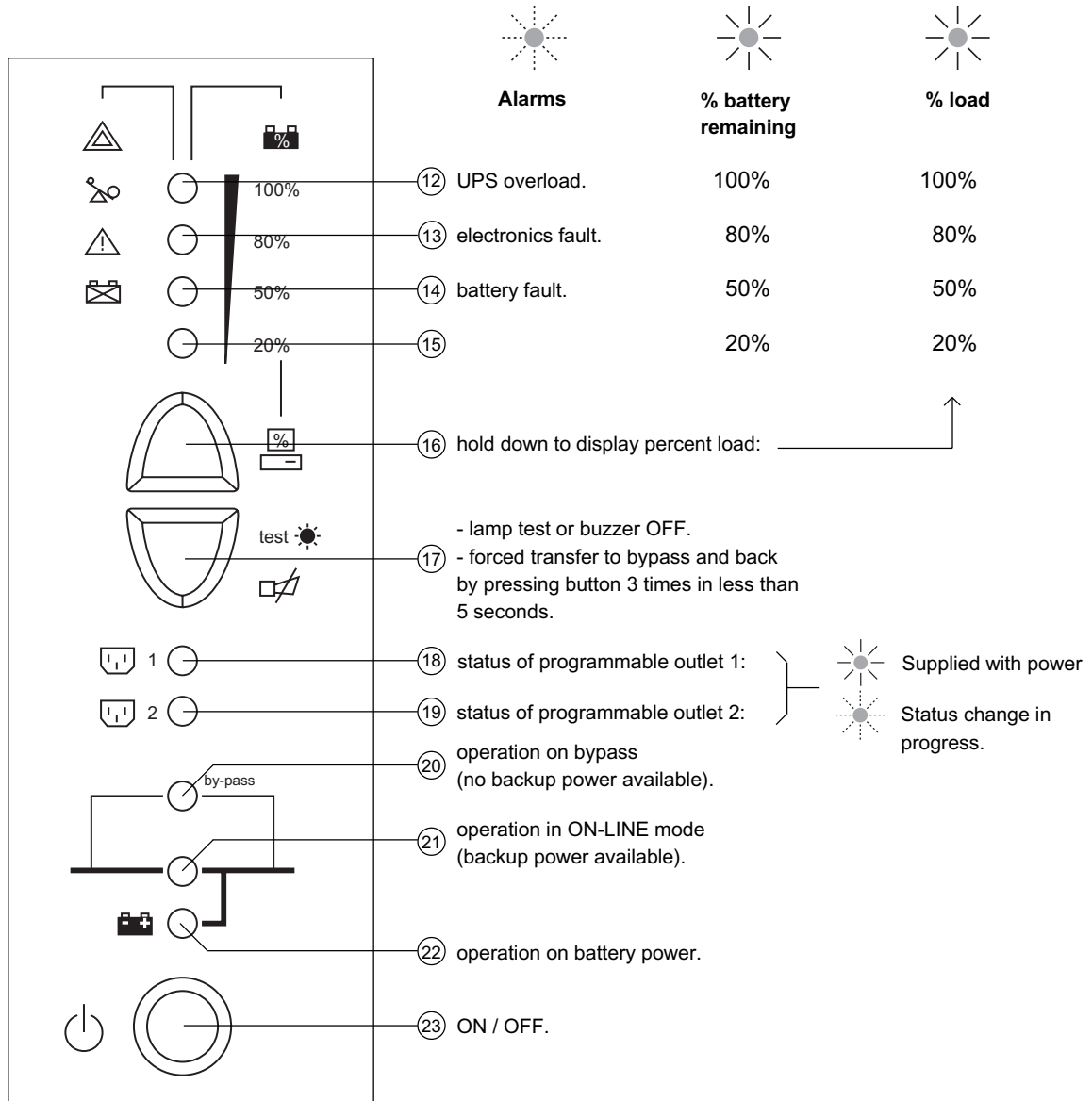
Pulsar EX 700 Rack / Pulsar EX 1000 Rack / Pulsar EX 1500 Rack



- ① slot for communications-card option.
- ② RS232 communications port.
- ③ USB communications port.
- ④ four outlets for direct connection of protected equipment.
- ⑤ connector for automatic detection of an additional battery module.
- ⑥ input circuit breaker.
- ⑦ socket for connection to AC-power source.
- ⑧ connector for an additional battery module.
- ⑨ pushbutton to test phase/neutral inversion of AC-power source.
- ⑩ LED indicating phase/neutral inversion of AC-power source.
- ⑪ two programmable outlets (outlet 1 and 2).

1. Presentation

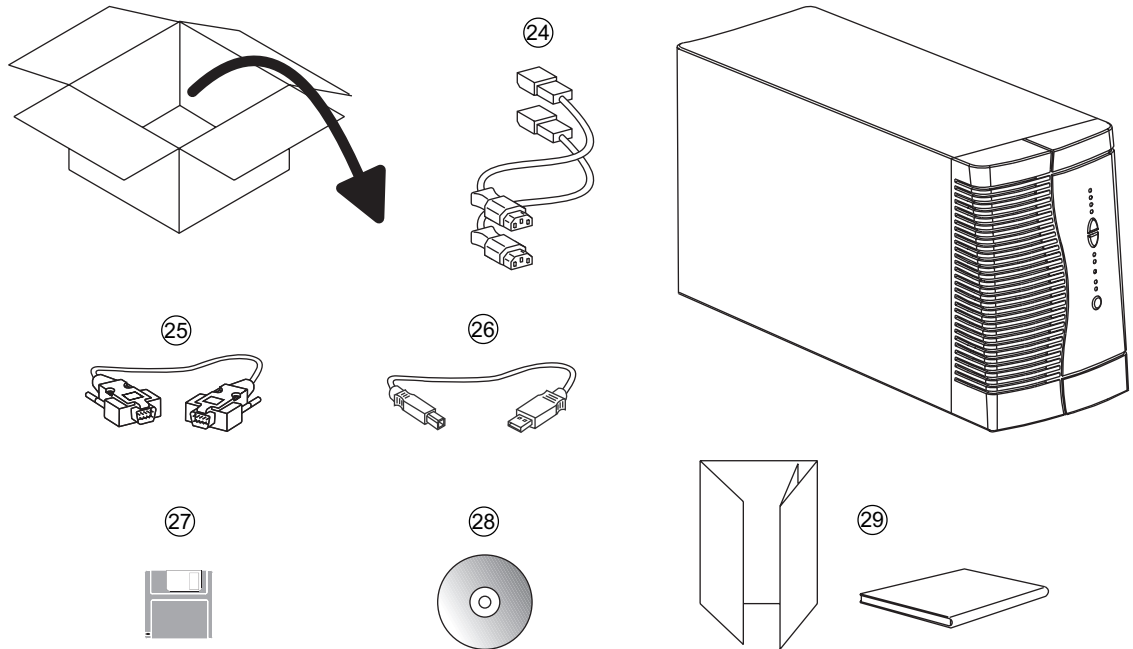
1.3 Control panel



2. Installation

2.1 Unpacking and checks

Tower model



(24) two cords for connection of the protected equipment.

(25) RS 232 communications cable.

(26) USB communications cable.

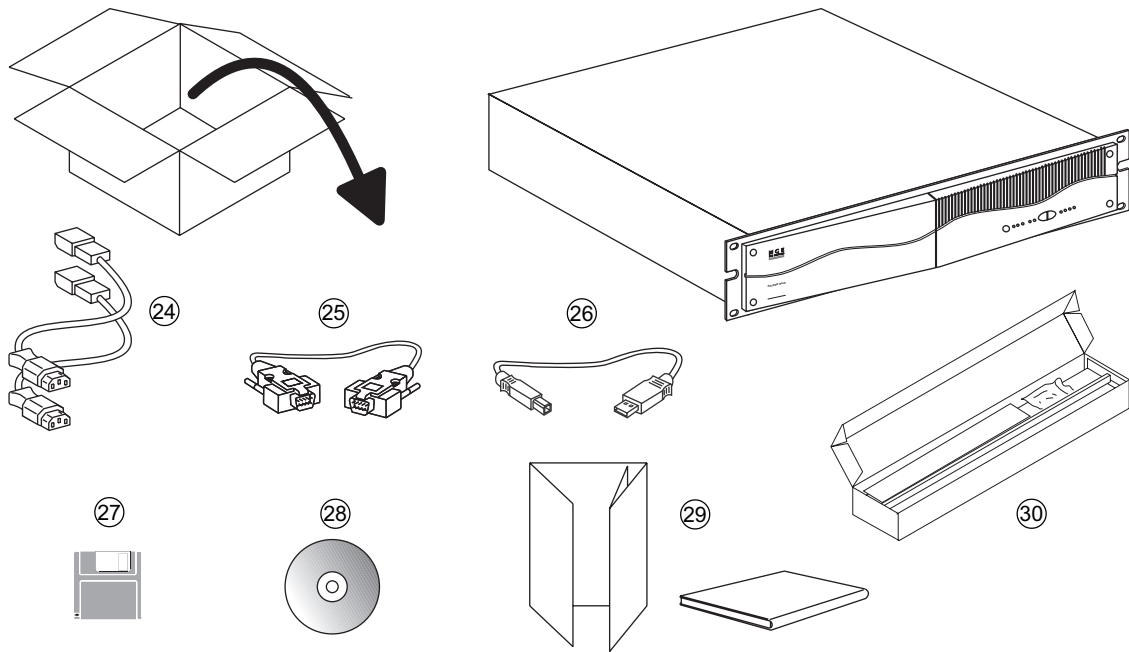
(27) "UPS Driver" diskette for UPS personalisation.

(28) "Solution Pac" CD ROM.

(29) documentation.

2. Installation

Rack model

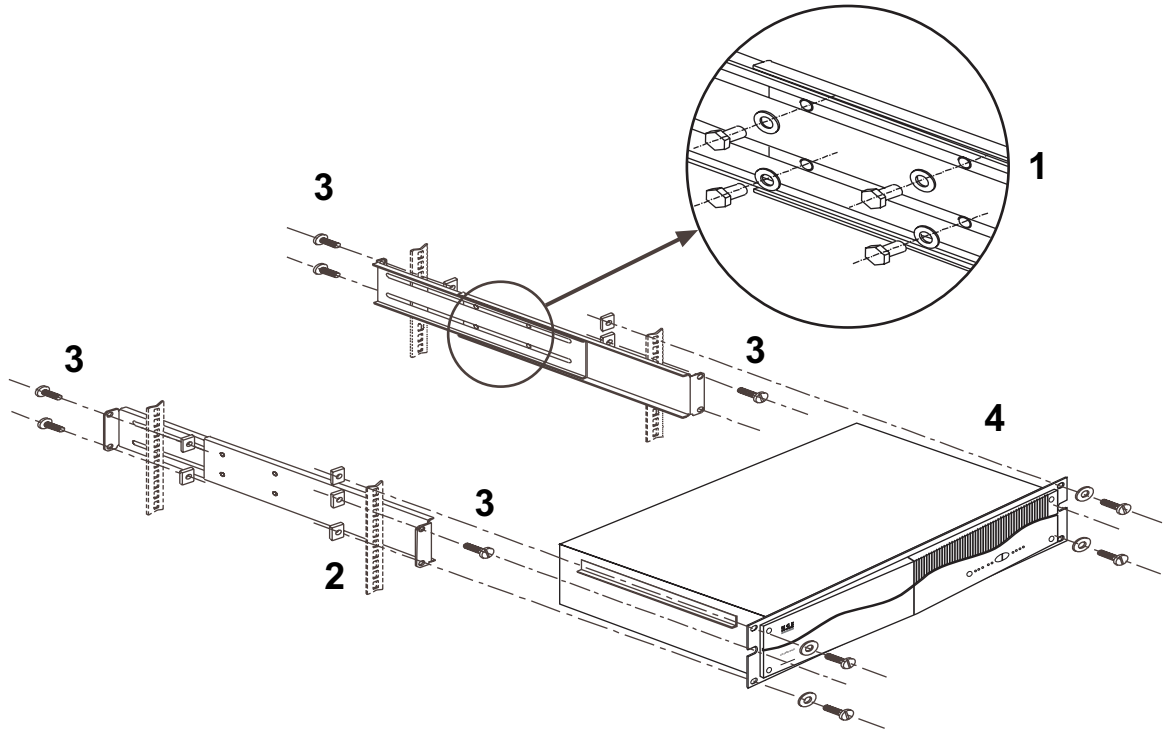


- ②④ two cords for connection of the protected equipment.
- ②⑤ RS 232 communications cable.
- ②⑥ USB communications cable.
- ②⑦ "UPS Driver" diskette for UPS personalisation.
- ②⑧ "Solution Pac" CD ROM.
- ②⑨ documentation.
- ③⑩ telescopic rails for mounting in 19" bay with mounting hardware.

2. Installation

2.2 Installation of the rack version

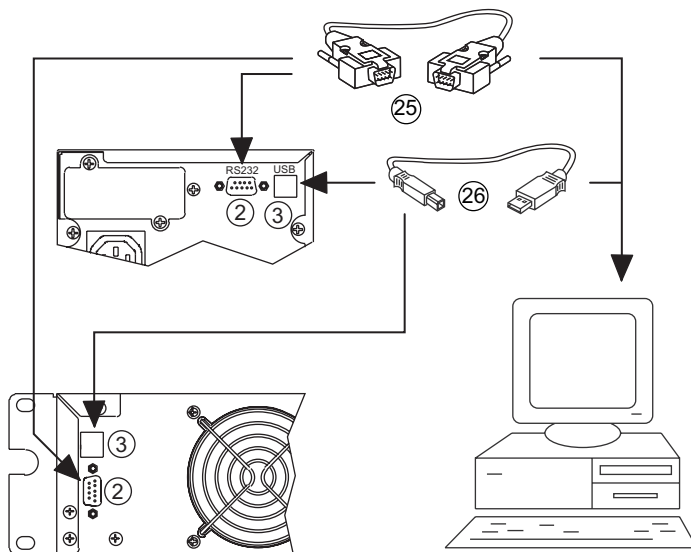
Rack mounting diagram with rails.



The rails and the necessary mounting hardware are supplied by MGE UPS SYSTEMS.

2. Installation

2.3 Connection to the RS 232 or USB communications port (optional)



1 - Connect the RS 232 (25) or USB (26) communications cable to the serial port or the USB port on the computer.

2 - Connect the other end of the communications cable (25) or (26) to the RS 232 (2) or USB (3) communications port on the UPS.

The UPS can now communicate with all MGE UPS SYSTEMS supervision, set-up or safety software.

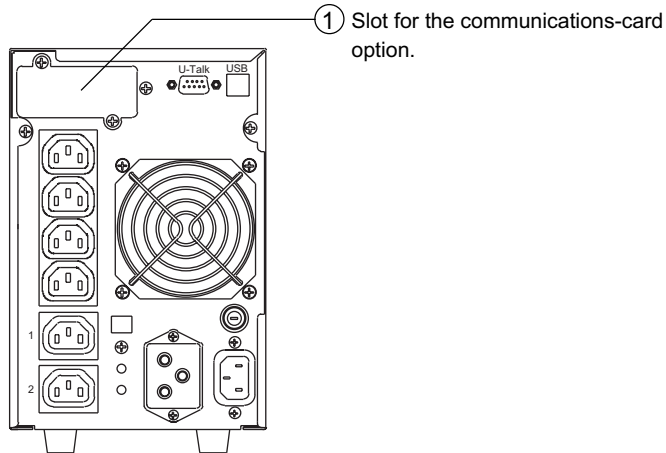


The RS 232 and USB communications ports cannot operate simultaneously.

2. Installation

2.4 Installation of the communications-card option

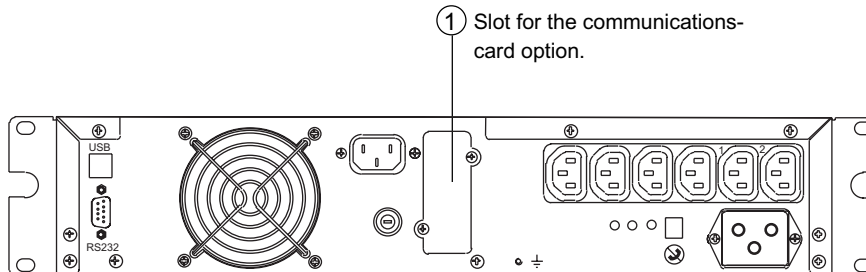
Tower model



It is not necessary to shut down the UPS to install the communications card:

- 1 - Remove the slot ① cover secured by two screws.
- 2 - Insert the card in the slot.
- 3 - Secure the card with the two screws.

Rack model



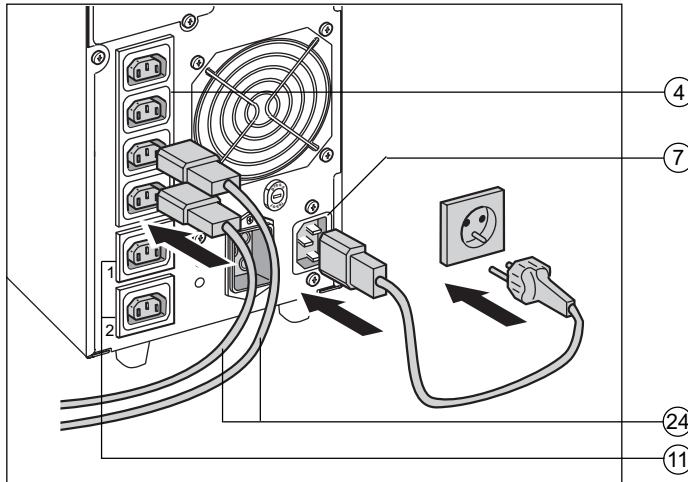
2. Installation

2.5 Connections



Check that the indications on the rating plate on the back of the UPS correspond to your AC-power system and to the actual electrical consumption of all the equipment to be connected to the UPS.

Tower model

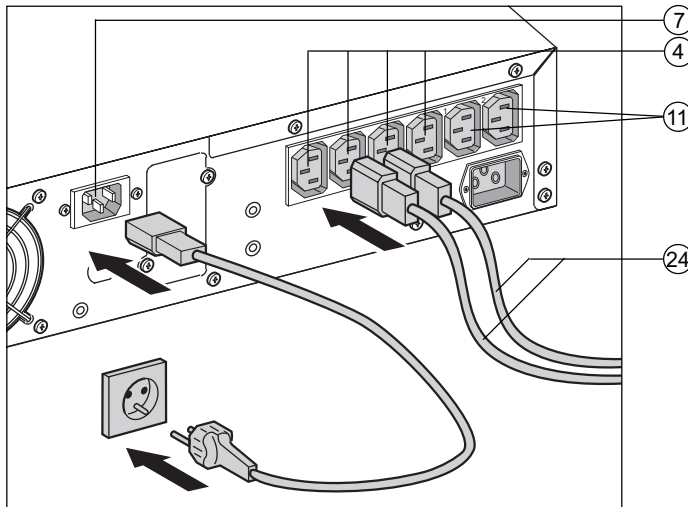


1 - Remove the power cord supplying the equipment to be protected. Check cord characteristics (> 250 V, 10 A, see the technical sheet).

2 - Connect the cord to the AC-power socket (7), then to the AC-power wall outlet.

3 - Connect the protected equipment to the UPS using the two cords (24). It is advised to connect priority loads to the four outlets (4) and any non-priority loads to the two programmable outlets (11) (If the UPS is connected to a computer running MGE communications software, it is possible to program the interruption of power to the two programmable outlets (11) during operation on battery power, thus reserving backup power for the priority loads).

Rack model

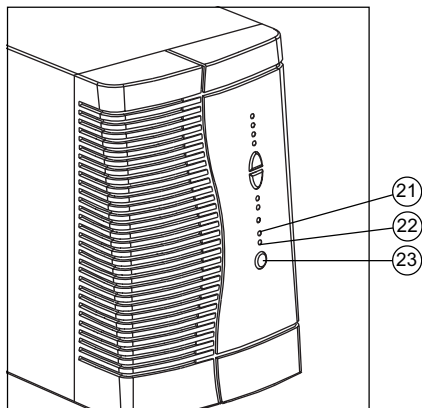


? As soon as the UPS is energised, the battery begins charging. Eight hours are required to charge to the full rated backup time.

3. Operation

3.1 Start-up

The protected equipment connected to the UPS can be energised, whether AC input power is available or not.



Caution: the AC input power source must be present when energising for the first time.

Press the ON / OFF button (23).

The buzzer beeps and all the LEDs go ON.

The buzzer beeps twice, then:

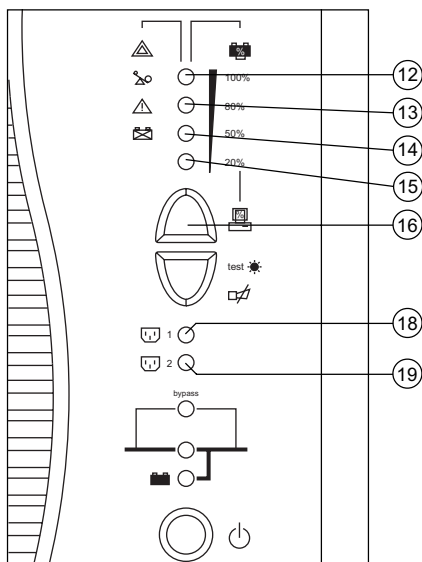
- If AC input power is available, LED (21) goes ON, indicating operation in ON-LINE mode.
- If AC input power is not available and the UPS is configured for automatic restart mode, the buzzer beeps three times and LED (22) goes ON, signalling operation on battery power.

All connected equipment is energised.



If LEDs (21) or (22) do not go ON or if LEDs (12) to (14) flash, there is a fault (see section 4.1).

3.2 Bargraph indications



LEDs (12) to (15) provide three different indications:

- 1 - Remaining backup time in percent (during normal operation).
- 2 - Percent load drawn by the protected equipment, when button (16) is pressed.
- 3 - Operating faults (flashing LED and beeps):
 - (12) Overload.
 - (13) UPS fault.
 - (14) Battery fault.

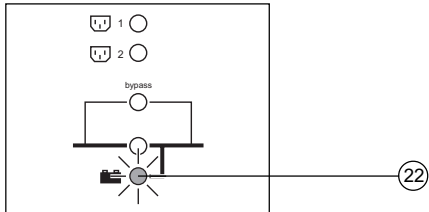
Status LEDs (18) and (19) for programmable outlets 1 and 2:

- LEDs OFF: the outlets are not supplied with power.
 - LEDs flashing: status change in progress.
 - LEDs ON: the outlets are supplied with power.
- Outlets 1 and 2 can be remotely programmed and controlled. They may be used for sequential start-up of the protected applications, shedding of non-priority applications during operation on battery power, and priority management at the end of battery backup time to reserve the longest possible backup time for the most sensitive applications. These outlets are programmed using Solution Pac software.

3. Operation

3.3 Operation on battery power (following failure of AC input power)

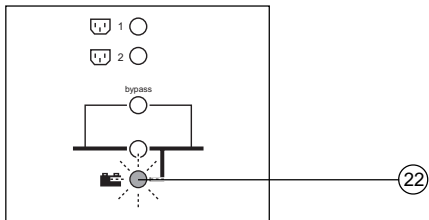
Transfer to battery power



The AC-power source is outside tolerances, LED 23 is ON, the buzzer beeps three times.

The equipment connected to the UPS is supplied by the battery.

Threshold for the low-battery warning



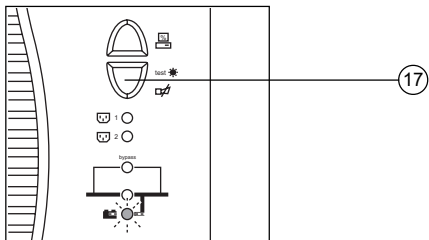
The low-battery warning threshold can be set by the user, with the "UPS Driver" software (see section 3.4).

LED 22 flashes.

The buzzer beeps every three seconds.

There is very little remaining battery backup time. Close all applications because UPS automatic shutdown is imminent.

End of backup time



The buzzer sounds continuously.

Press button 17 to turn the buzzer OFF.

The equipment is no longer supplied with power.

The UPS goes to sleep mode at the end of the battery backup time until complete shutdown due to tripping of the battery-protection function against deep discharge.



Return of AC input power:

If, in spite of the return of AC input power, the UPS does not restart, check that the automatic-restart function (activated by return of AC input power) has not been disabled (see section 3.4).

3.4 Personalisation (optional)

Function



Personalisation parameters can be set and modified using the "UPS Driver" software installed on a computer that is connected to the UPS (see section 2.3 Connection to the RS 232 (or USB) communications port).

Check that the RS 232 (25) or USB (26) cable is properly connected.

"UPS Driver" installation:

- 1 - Insert the "UPS Driver" diskette in the drive of a PC running Windows.
- 2 - Select the disk drive (A:).
- 3 - Double-click "upsdriv.exe".

Once "UPS Driver" has been installed, UPS parameters can be modified in a window containing a number of tabs, each presenting a set of parameters.

"ON / OFF conditions" tab

Personalisable function	Default setting	Options
Automatic start	Enabled	Disabled
Cold start (battery power)	Enabled	Disabled
Forced shutdown	Enabled	Disabled
Sleep mode	Disabled	Enabled
UPS ON / OFF via software	Enabled	Disabled

"Battery" tab

Personalisable function	Default setting	Options
Automatic "Battery test" intervals	Every day	Once a week Once a month No test
"Low-battery warning" threshold	20% remaining battery backup time	40% remaining battery backup time

3. Operation

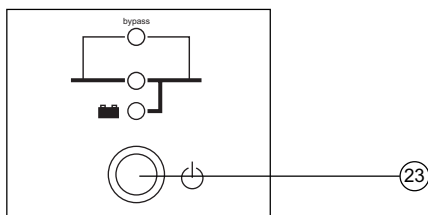
"Output" tab

Personalisable function	Default setting	Options
Rated UPS voltage	230 V	200 V - 210 V - 220 V - 240 V
Rated UPS frequency	F = 50 Hz	60 Hz
UPS tolerance for AC-power source frequency	F ± 5%	F ± 1% to ± 10%, in 1% steps
Overload alarm threshold	110%	0 to 110%, in 10% steps
UPS restart following short-circuit	Disabled	Enabled (click to add check)

"Bypass" tab

Personalisable function	Default setting	Options
Transfer to bypass if overload	Enabled	Disabled (click to remove check)
Transfer to bypass following a fault, whatever the conditions on the AC-power source	Disabled	Enabled (click to add check)

3.5 Shutdown



Press button 23 (return to the OFF position).

The connected equipment is no longer supplied with power.

4.1 Troubleshooting

If any of LEDs ⑫, ⑬ or ⑭ flash, there is a operating anomaly or an alarm.




If a LED flashes, the bargraph data is no longer displayed.

Troubleshooting not requiring MGE UPS SYSTEMS after-sales support

Indication	Signification	Correction
LED ⑫ flashes and the buzzer beeps.	<p>UPS overload. Overload is too long or too high.</p> <ul style="list-style-type: none"> ▶ If AC power is present and within tolerances, the UPS goes to bypass mode (supply directly by the AC-power source). LED ⑳ flashes. The buzzer beeps every seconds. ▶ If AC power is not present or not within tolerances, the connected applications are no longer supplied. The buzzer sounds continuously. 	<p>Check the power drawn by the equipment and disconnect any non-priority devices.</p>
LED ⑭ flashes.	<p>A battery fault was detected during the automatic battery test.</p>	<ul style="list-style-type: none"> ▶ Check that the battery connector is fully pushed in. ▶ Replace battery module (see the Maintenance section).
The yellow LED ⑮ flashes, the red indicator light ⑩ behind the UPS comes on and the buzzer sounds continuously.	<p>The function for monitoring the phase and neutral position of your electrical network has detected a reversal.</p>	<p>Directly earthed neutral type networks: to correct cabling, unplug and turn the network socket, of the DIN-SCHUKO type, by 180 degrees or contact an electrician to modify your electrical network.</p> <p>For all other network types, deactivate the detection function (this function is only operational for directly earthed neutral electrical networks):</p> <p>Press for at least 5 seconds the pushbutton ⑨ behind the UPS (UPS stopped and connected to the network for less than 30 minutes).</p>

4. Maintenance

Troubleshooting requiring MGE UPS SYSTEMS after-sales support

Indication	Signification	Correction
LED ⑬ flashes and the buzzer sounds continuously.	<p>UPS electronics have detected a UPS fault. Depending on the UPS personalisation parameters (see section 3.4), there are two possibilities:</p> <ul style="list-style-type: none">▶ the equipment connected to the UPS continues to be supplied, but directly from the AC-power source (via the automatic bypass (LED ⑳ ON);▶ the connected equipment is no longer supplied. <p> The equipment connected to the UPS is no longer protected.</p>	Call the after-sales support department.

4.2 Replacement of the battery module



Safety rules:

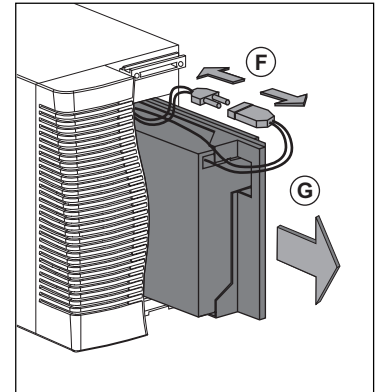
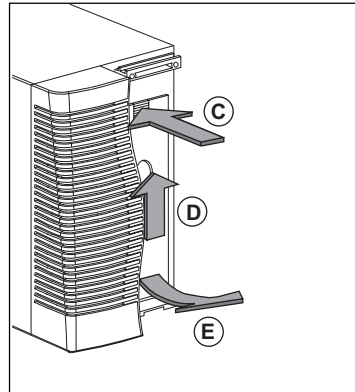
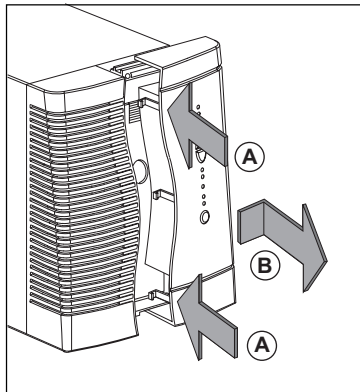
Batteries constitute a danger (electrical shock, burns). The short-circuit current may be very high. Precautions must be taken for all handling:

- ▶ remove all watches, rings, bracelets and any other metal objects;
- ▶ use tools with insulated handles.

Tower model

Removal of battery module

- (A) - Press to open door.
- (B) - Slide the door open and remove it.
- (C) (D) (E) - Procedure to remove the protective cover.
- (F) - Disconnect the battery module.
- (G) - Remove the battery module.



Reinstallation of the battery module

Carry out the above operation in reverse order.



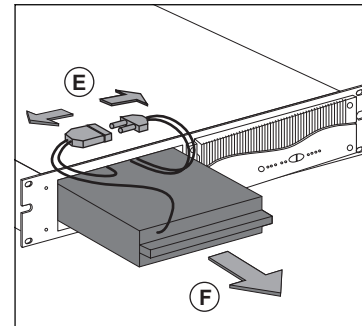
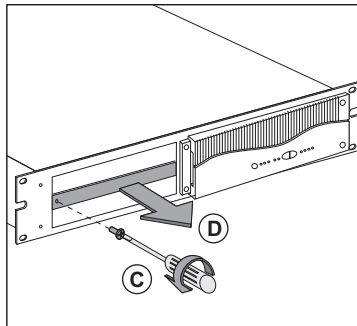
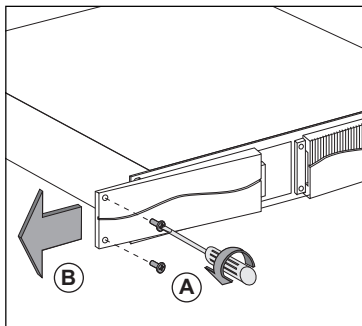
- ▶ To maintain an identical level of performance and safety, use a battery module identical to that previously mounted in the UPS.
- ▶ Press the two parts of the battery connector tightly together to ensure proper connection.

4. Maintenance

Rack model

Removal of battery module

- (A) - Remove the two screws securing the door.
- (B) - Slide the door open and remove it.
- (C) - Unscrew the bar that holds the battery module in place.
- (D) - Remove the bar.
- (E) - Disconnect the battery module.
- (F) - Remove the battery module.



Reinstallation of the battery module

Carry out the above operation in reverse order.



- ▶ To maintain an identical level of performance and safety, use a battery module identical to that previously mounted in the UPS.
- ▶ Press the two parts of the battery connector tightly together to ensure proper connection.

5. Environment

This product has been designed to respect the environment:

It does not contain CFCs or HCFCs.

UPS recycling at the end of service life:

MGE UPS SYSTEMS undertakes to recycle, by certified companies and in compliance with all applicable regulations, all UPS products recovered at the end of their service life (contact your MGE branch office).

Packing:

UPS packing materials must be recycled in compliance with all applicable regulations.

Warning:

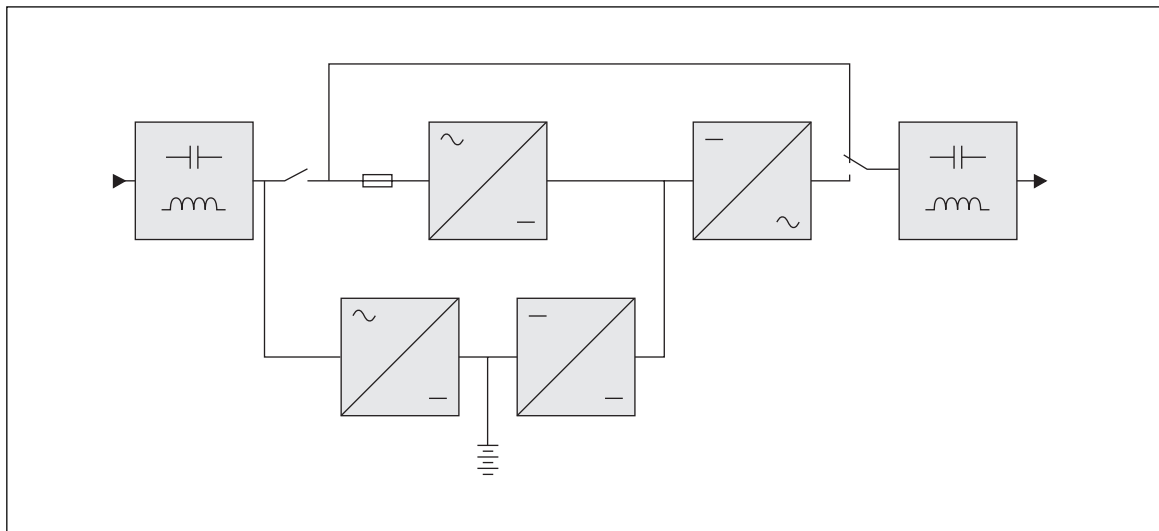
This product contains lead-acid batteries. Lead is a dangerous substance for the environment if it is not properly recycled by specialised companies.

Web site: www.mgeups.com

6. Appendices

6.1 Technical characteristics

Simplified diagram



Operating conditions

Relative humidity: 20 to 90% without condensation.

Temperature: 0 to 40° C.

6.2 Glossary

Authorised voltage range for transfer to bypass if fault or overload	Upper and lower voltage thresholds within which the UPS can operate on the automatic bypass in the event of a UPS fault or overload.
Automatic bypass	Automatic switch controlled by the UPS, used to connect the equipment directly to the AC-power source in the event of a UPS failure or an overload.
Automatic start following return of AC input power	This function automatically starts the UPS when AC input power returns following shutdown at the end of the battery backup time. It can be enabled or disabled.
Backup time	Time that the connected equipment can operate on battery power.
Bargraph	Device on the front panel indicating the percent remaining backup time or the percent load.
Battery test	Internal UPS test on battery status.
Dialog box	A window in a computer program displayed for selection by the user of various options and parameter settings.
Double conversion	The power supplied to the connected equipment is completely regenerated by continuous double conversion, i.e. the AC power from the AC-power source is rectified (AC - DC), then converted back (DC - AC) to AC power.
Equipment	Devices or systems connected to the UPS output.
Forced shutdown	Ten-second interruption in the supply of power to the connected equipment following a system shutdown, even if AC input power returns during the interruption period.
Percent load	Ratio between the power drawn by the connected equipment and the total power that the UPS can supply.
Personalisation	A number of UPS functions can be modified using the «UPS Driver» software to better meet the user's needs.
Programmable outlets	Outlets that can be automatically shed during operation on battery power (a shedding time delay may be programmed using Solution-Pac software).
Start on battery power	This function makes it possible to energise the connected equipment even when AC input power is not available (operation exclusively on battery power).
UPS	Uninterruptible Power Supply
UPS ON / OFF via software	It is possible to enable or disable use of UPS ON / OFF controls by the computer-system protection software.

6. Appendices

6.3 Index

A

AC power	
Failure	18
Frequency tolerance	20
Return	18
Automatic start	19

B

Bargraph	10-17
Battery	
Battery test	19
End of backup time	18
Fault	10-17
Handling precautions	3
Low-battery warning	19
Recycling	3-25
Replacement	23-24
Transfer to battery power	18
Buttons	8-9-10
Buzzer	17-18
Bypass	
Automatic bypass	10-20-22

C

Communication	8-9-14-15
Connection	
Additional battery module	8-9
Communications card	14
RS 232 communications port	14
USB communications port	14

D

Dimensions	7
------------------	---

E

Environnement	2-3-24
---------------------	--------

F

Fault (UPS)	10-17-21-22
-------------------	-------------

L

LEDs	8-9-10
Lamp test	10

M

Mode	
ON LINE mode	10

O

Overload	10-20-21
----------------	----------

S

Safety	3
Shutdown	
Buzzer	10-18
Forced shutdown	19
UPS ON / OFF via software	19
UPS shutdown	10-20
Sleep mode	19
Automatic restart	19-20
Software	
UPS Driver	19
Start-up	17

T

Technical characteristics	26
Temperature	
Excessive ambient temp.	26
Transfer (forced)	10

U

UPS Driver	19
UPS fault	10-17-20
UPS storage	3

W

Web site	2
Weight	7

Free Manuals Download Website

<http://myh66.com>

<http://usermanuals.us>

<http://www.somanuals.com>

<http://www.4manuals.cc>

<http://www.manual-lib.com>

<http://www.404manual.com>

<http://www.luxmanual.com>

<http://aubethermostatmanual.com>

Golf course search by state

<http://golfingnear.com>

Email search by domain

<http://emailbydomain.com>

Auto manuals search

<http://auto.somanuals.com>

TV manuals search

<http://tv.somanuals.com>