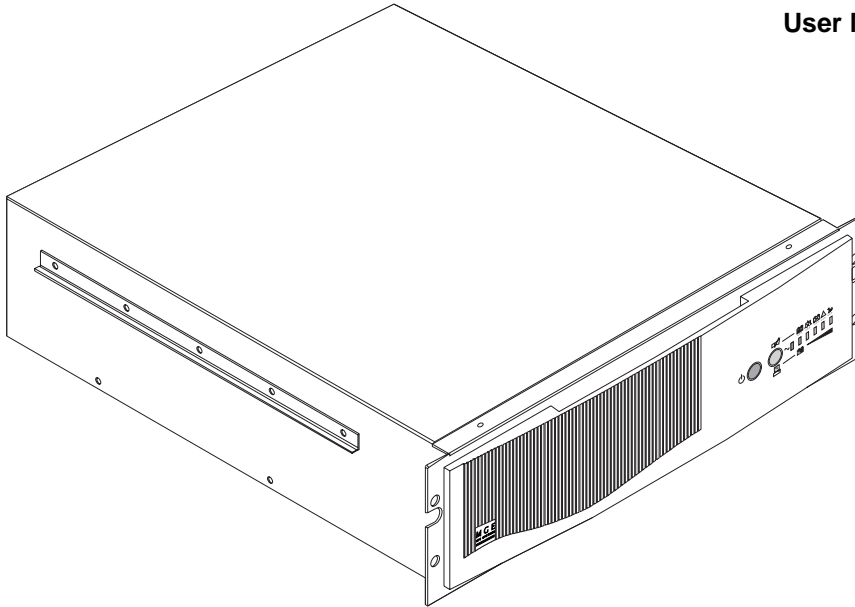


# Pulsar™ EX10Rack / EX15Rack EXB10Rack

User Manual



**M G E**  
UPS SYSTEMS

[www.mgeups.com](http://www.mgeups.com)

---

Thank you for purchasing the **EXRack** Uninterruptible Power Supply.

The **EXRack** has been designed to provide many years of trouble-free operation. Please review the manual which has been prepared to provide you with all the necessary information concerning the installation and use of your **EXRack**.

For service call 1-800-523-0142.

Sincerely,

**MGE UPS SYSTEMS**

---

## **Federal Communications Commission (FCC) Statement**

**Note:** this equipment has been tested and found to comply with Part 15 of the FCC Rules. These limits are designed to provide reasonable protection against harmful interference when equipment is operated in a residential environment. This equipment generates, uses and can radiate radio frequency energy and, if not installed and used in accordance with the instruction manual, may cause harmful interference to radio communications. Properly shielded and grounded cables and connectors must be used in order to meet FCC emission limits.

---

# IMPORTANT SAFETY INSTRUCTIONS

## SAVE THESE INSTRUCTIONS

This manual contains important instructions for Models *EX10Rack/EX15Rack/EXB10Rack/EXB15* that should be followed during installation and maintenance of the UPS batteries.

- This equipment can be operated by any individual, with no previous training;
- **CAUTION:** Risk of electric shock, even with unit disconnected from AC power source. Hazardous voltage still may be present through operation from battery. The battery supply should be disconnected at the plus and minus terminals using the quick disconnect connectors of the battery when maintenance or service work inside the UPS is necessary.
- **The UPS contains voltages which are potentially hazardous. All repairs should be performed by qualified service personnel only;**
- **do not attempt to power the UPS from any receptacle other than a 2-pole 3-wire grounded receptacle;**
- do not place **Pulsar** near water or in environment of excessive humidity;
- do not allow liquids or any foreign objects to get inside **Pulsar**;
- do not block air vents in the back of **Pulsar**;
- do not plug household appliances such as hair dryers to **Pulsar** receptacles;
- do not place **Pulsar** in direct sunlight or close to heat-emitting source;

- the AC power receptacle should be near the equipment and easily accessible. To isolate **Pulsar** from AC input, remove the input power cord from the AC power receptacle;
- if **Pulsar** is to be stored for a long time, it is recommended to recharge the batteries (by connecting AC power source to **Pulsar**, switch "ON" or "OFF"), once a month for 24 hours to avoid a full batteries discharge;
- **Pulsar** contains batteries that should be disposed of or recycled in accordance with local applicable laws;
- prior to installation, store **Pulsar** in a dry location;
- storage temperatures must be between -4°F (-20°C) and +113°F (+45°C);
- servicing of batteries should be performed or supervised by personnel knowledgeable of batteries and the required precautions. Keep unauthorized personnel away from batteries;
- when replacing the batteries, use the same number and the following type of batteries:
  - **Pulsar EX10Rack** : 3 x 12V - 7.2Ah,
  - **Pulsar EX15Rack** : 4 x 12V - 7.2Ah;

- ~ : alternating current supply symbol;
- **CAUTION:** do not dispose of battery or batteries in a fire. The battery may explode;
- **CAUTION:** do not open or mutilate the battery or batteries, released electrolyte is harmful to the skin and eyes. It may be toxic;
- **CAUTION:** a battery can present a risk of electric shock and high short circuit current. The following precautions should be observed when working with batteries:
  - remove watches, rings or other metal objects,
  - use tools with insulated handles,
  - wear rubber gloves, boots and safety glasses;
- please dispose of the packaging in accordance with the applicable laws.

---

## introduction

In critical situations, count on MGE UPS SYSTEMS **Pulsar EX10Rack** and **EX15Rack** uninterruptible power supplies (UPS). Their protection keeps your data intact and accessible.

**Pulsar EX10Rack** and **EX15Rack** UPSs ensure top quality power around the clock, and continue operations during power failures. An intelligent microprocessor detects any operating anomalies of the UPS and triggers an alarm if corrective action is necessary.

In addition to the high-technology aspect of these UPSs, you can count on backup from our staff, a team of specialists, around the corner from you, throughout the world. It's no accident that MGE UPS SYSTEMS is the world leader in UPS protection.

### uses of Pulsar EX10Rack and EX15Rack:

Network servers and interconnection devices are very sensitive to electrical disturbances of all types, including outages, voltage sags, brownouts, spikes, etc. The origins of the disturbances also vary, ranging from atmospheric phenomena, to nearby devices generating interference such as elevators, photocopy machines and machine tools, not to mention human errors, like the accidental pulling out of power cords or tripping of circuit breakers. The consequences of these disturbances on computer systems range from data losses to hardware damage (power supplies, hard disks).

**Pulsar EX10Rack** and **EX15Rack** are specially designed to protect network servers and all other devices that are sensitive to electrical disturbances.

**Pulsar EX10Rack** and **EX15Rack** add fault-tolerance to the utility supplying your sensitive equipment.

**Pulsar EX10Rack** and **EX15Rack** are designed as compact units and feature very quiet operation.

**Pulsar EX10Rack** and **EX15Rack** provide a stable supply of clean power, long back-up time during a utility outage (see table) and vast information and control possibilities according to the configuration selected.

**Pulsar EX10Rack** and **EX15Rack** On-Line technology provides maximum protection and availability of your workstations, servers, and network communication devices.

**Pulsar EX10Rack** and **EX15Rack** offer many functions and characteristics designed to simplify power management:

- automatic battery test carried out periodically. In the event of a fault, a LED provides advance warning for battery replacement;
- front panel LEDs signal all types of faults and alarms;
- Bar graph continuously indicates the battery charge level or the critical load power level;
- **Pulsar EX10Rack** and **EX15Rack** are environment friendly: all components are recyclable and an electronic power-saver device reduces power consumption if the UPS is not active for a period exceeding 5 minutes while on battery back-up;

■ EX Driver software provides rapid startup of **Pulsar EX10Rack** and **EX15Rack** using the EX Tuner configuration module. This module adapts **Pulsar EX10Rack** and **EX15Rack** to user preferences (battery test frequency, startup and shutdown sequences, setting of battery thresholds, etc.). See "communication" section for further details;

■ Solution-Pac™ is a CD-ROM which contains all the tools needed to supervise your UPS.

■ Simply download the EX driver utility from the CD and Solution-Pac. The UPS must be serially connected to a Windows PC.

---

## options

### ■ **UM Sensor environment measurement**

**unit:** compatible with SNMP or Solution Pac™, this unit measures the temperature and the relative humidity in the room where the **Pulsar** is installed. Eight relay contacts are provided to transmit signals to an administration platform, in the form of voltage free contacts to enable monitoring of (fire alarm, climate control fault, intrusion, etc.);

■ **battery extension module: Pulsar EXB10Rack/EXB15** battery extension modules lengthen the battery time of the **Pulsar EX10Rack/EX15Rack** to meet your requirements. For rack installation of EXB15 order 19" rack kit P/N 8806U.

## additional communications

### options:

■ **SNMP administration:** MGE has the most complete offering for the administration of a group of UPSs using the SNMP protocol with different network-connection modules (SNMP card or proxy software), supervision modules (application for NMS platforms such as HP OpenView or C.A. UNICENTER TNG) and a file-closing module (UM Client).

■ **SNMP card:** this card, inserted into your UPS, can establish a direct Ethernet network connection for your UPS. It can then be temporarily managed using SNMP or the various software modules of Solution-Pac. The MGE UPS SYSTEMS offering complies with RFC 1628 specifications (IETF) and was certified by the InterWorking Labs during the Test Summit in June 1994;

■ **status information card:** this option provides you with 5 voltage-free contacts: on battery, on by-pass, low battery, load on UPS. This card can be used with the UPS driver of IBM AS/400.

Contact your dealer for further information on these options.

---

## software supplied with Pulsar EX10Rack and EX15Rack

To meet the different operating environments of your UPS, **Pulsar EXRack** includes 2 MGE UPS SYSTEMS software programs:

- **EX-Driver** software for Windows;
- **Network based Solution-Pac™** power management software.

### EX-Driver for Windows

EX Driver for Windows provides communication with the UPS from a simple Windows workstation. EX-Driver is compatible with Windows 3.1x and Windows 95/98, for communication with the UPS via a serial connection for various needs:

■ **personalization of the UPS operating mode:** the EX-Tuner utility, can be used to change certain UPS operating parameters if the standard factory settings are not ideal for the operating conditions.

It is possible to modify the output voltage, battery-test frequency, startup and shutdown sequences, operation of automatic by-pass, etc.;

### Solution-Pac™ for networks and multi-server systems

Protection by UPS is only complete and effective if combined with powerful software functions which warn users and the operator of any power supply problem, automate system shutdown, supervise and remotely control the UPSs. MGE UPS SYSTEMS created Solution-Pac™ for this purpose.

Solution-Pac™ combines all these functions in a single CD-ROM, usable in local or remote mode (TCP/IP and SNMP), and covering the main network environments. Solution-Pac™ is the ideal solution for protecting networks and multiserver systems.

Solution-Pac™ on a single CD-ROM contains everything needed to safeguard one or more systems and to supervise one or more UPSs from a local or remote station. Solution-Pac™ includes SNMP proxy agents, system shutdown software, and

supervision software.

Solution-Pac™ is a powerful and upgradable software tool which provides all the supervision, control and safety functions associated with a UPS:

- graphic display of the UPS,
- remote control of the UPS and output receptacles,
- user alarm of problems,
- recording of events in log files,
- automatic system shutdown and restart,
- local or remote supervision of UPSs and ancillary devices,
- transmission of UPS information and alarms to any SNMP supervisor.
- paging / e-mail capabilities
- multiple server shutdown in heterogeneous environment.

### Platforms supported:

Windows 3.1, 95, 98, NT, Novelle Netware, OS/2, Linus, Mac/OS, Sun Solaris, HP/UX, IBM Aix, Dec Unix and Open VMS, Silicon Graphics, IRIX.

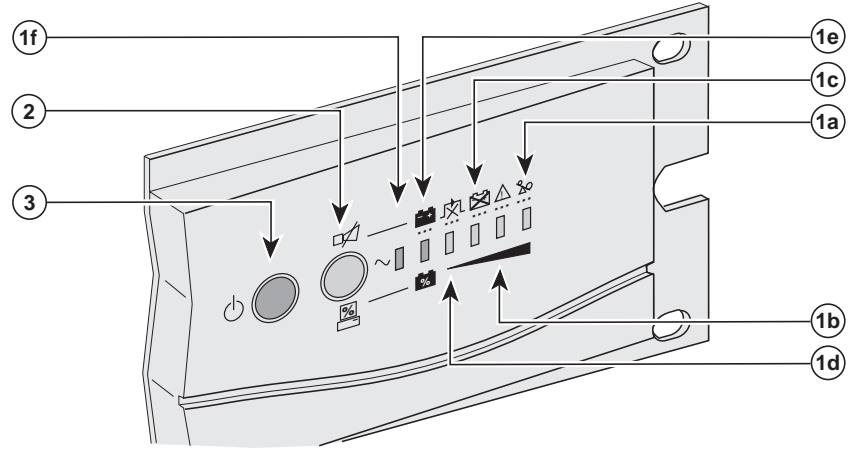
---

**Pulsar presentation** ..... **3**

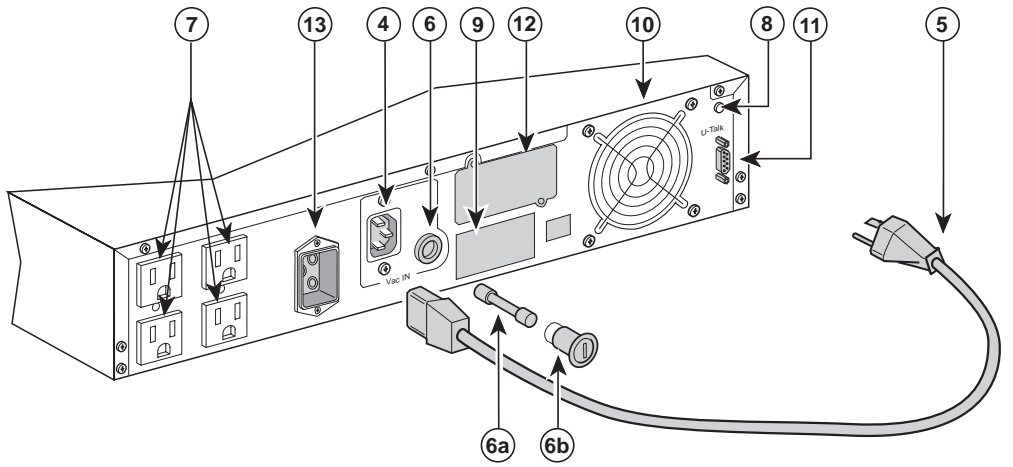
**getting started / operation** ..... **11**

---

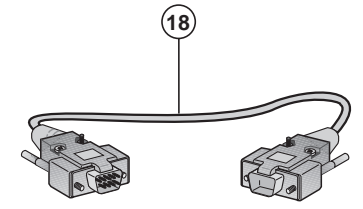
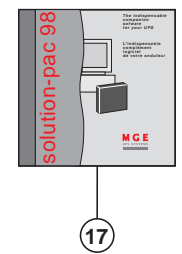
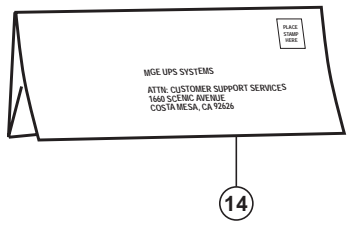
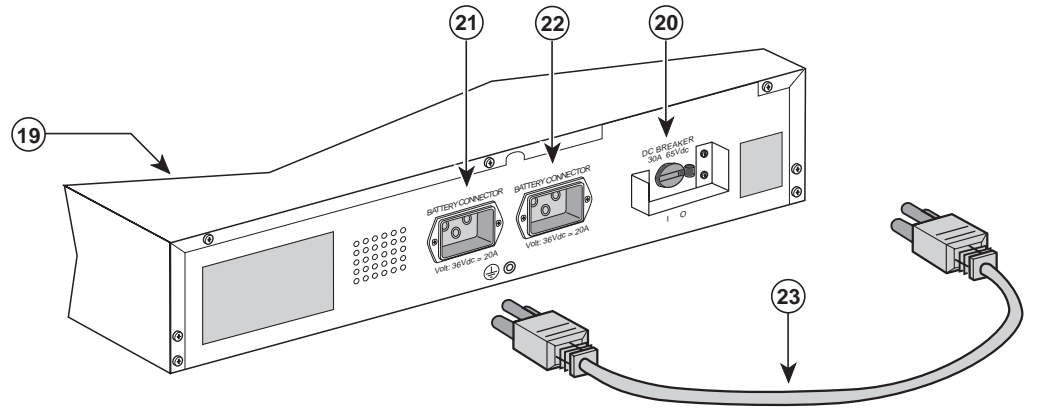
**Pulsar EX10Rack  
EX15Rack  
front view**



**Pulsar EX10Rack  
EX15Rack  
rear view**



**Pulsar EXB10Rack  
rear view**





## key to diagrams

**yellow indicator LEDs (1a) to (1d) flashing quickly:**

- (1a) overload,
- (1b) device fault,
- (1c) battery fault,
- (1d) operating on bypass (fault tolerant mode),

**yellow indicator LEDs (1a) to (1d) on continuously or flashing slowly:** indicate the battery charge level (if utility power present) or remaining battery time (if no utility power present). They may be on continuously or flash slowly during a transition period. By pressing the button marked "function" (2) when utility power is present, they indicate the load charge level.

- (1e) green indicator LED flashing: operating on battery,
- (1f) green indicator LED on continuously: load powered by UPS,  
green indicator light off: load no powered by UPS,

- (2) "function" button: switches off audio warning device or measures load charge percentage (if utility power present),
- (3) "ON/OFF" switch:  
button pushed in: ON  
button not pushed in: OFF,
- (4) input receptacle,
- (5) input cord (**supplied**, with ferrite for **Pulsar EX15Rack**)
- (6) input fuse receptacle,
- (6a) input fuse:  
T 15A/125V for **Pulsar EX10Rack**,  
T 20A/125V for **Pulsar EX15Rack**,
- (6b) fuse holder,
- (7) output receptacles for connection of computer loads to **Pulsar EXRack**,
- (8) site wiring fault LED,
- (9) rating label,

- (10) fan,
- (11) SUB-D 9 pin connector for RS232 communication port,
- (12) cover for optional communication cards,
- (13) connector for **Pulsar EXB10Rack EXB15** battery extension module,
- (14) warranty card,
- (17) Solution-Pac™, CD-ROM, EX Drive,
- (18) RS232 cable,
- (19) **Pulsar EXB10Rack/EXB15** battery extension module,
- (20) battery circuit-breaker,
- (21) connector to **Pulsar EX10Rack EX15Rack**,
- (22) connector for second **Pulsar EXB10Rack/EXB15** battery extension module,
- (23) battery connection cord.

# technical data

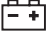
## ■ output power:

- Pulsar EX10Rack: 1000VA/700W
- Pulsar EX15Rack: 1500VA/1050W

## ■ input voltage:

- Pulsar EX10Rack voltage (V):  $\sim$  80V to 138V single phase (60V to 138V at 1/3 Power, 70V to 138V at 2/3 Power)
- Pulsar EX15Rack voltage (V):  $\sim$  90V to 138V single phase (70V to 138V at 1/3 Power, 80V to 138V at 2/3 Power)
- frequency (F): 47Hz to 53Hz or 57Hz to 63Hz

## ■ battery:






- type:  maintenance free sealed lead-acid
- Pulsar EX10Rack: 3 x 12V - 7.2Ah
- Pulsar EX15Rack: 4 x 12V - 7.2Ah

**note: battery life (4 or 5 years) is halved every 10°C above 25°C**

## ■ output specifications:

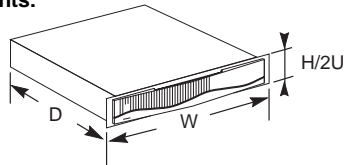
- voltage (V):  $\sim$  single phase 120V  $\pm$  3% (can be adjusted from 100 to 127V using EX Driver)
- frequency (F): 50/60Hz  $\pm$  0.5% (frequency configuration using EX Driver)

## ■ environment:

- noise level:  /  $\sim$   $\leq$  40dBA (**Pulsar EX10Rack**) or  $\leq$  50dBA (**Pulsar EX15Rack**) for operation on utility power
-  /   $\leq$  45dBA (**Pulsar EX10Rack**) or  $\leq$  50dBA (**Pulsar EX15Rack**) for battery backup mode
- operating temperature:  0 to 35°C
- relative humidity:   $\leq$  90% non condensing

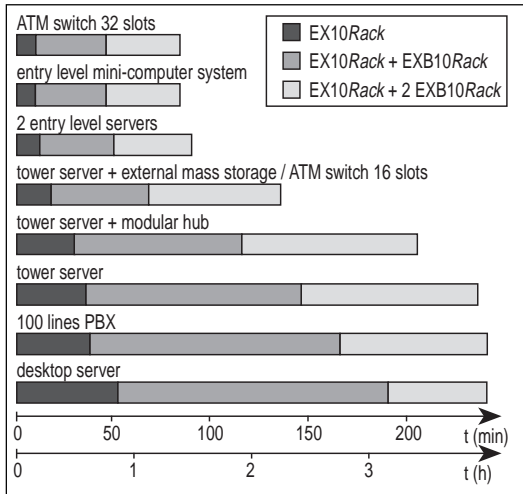
## ■ dimensions and weights:

- height H (inches):
- width W (inches):
- depth D (inches):
- weight lbs (kg) :

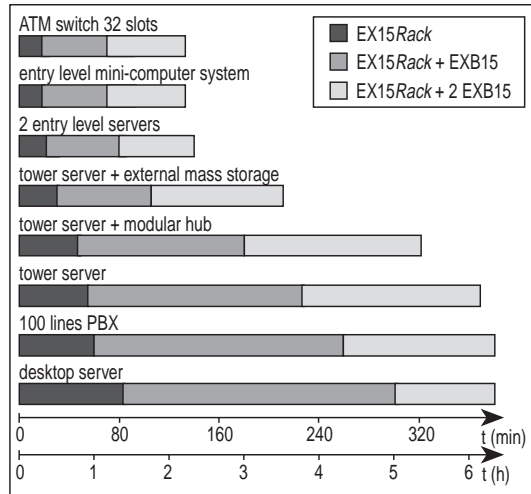


	<b>Pulsar EX10Rack</b>	<b>Pulsar EX15Rack</b>	<b>Pulsar EXB10Rack</b>
height H (inches):	3.46	3.46	3.46
width W (inches):	19	19	19
depth D (inches):	16.25	19.5	16.25
weight lbs (kg) :	37 (17)	51 (23)	48 (22)

### Pulsar EX10Rack battery back-up time



### Pulsar EX15Rack battery back-up time





# contents

---

- getting started** ..... 10
- location ..... 10
- preliminary checks ..... 10
- connections ..... 10
- communication ..... 11
  
- operation** ..... 12
- starting up with utility power present ..... 12
- starting up with out utility power ..... 13
- operation on battery ..... 14
- overload ..... 15
- operating anomalies ..... 15

---

# getting started

## location

- observe the safety rules indicated at the beginning of this document.

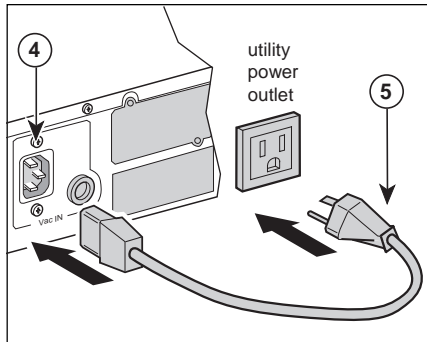
## preliminary checks

- check that button ③ "⏻" on the front is not pushed in;
- check that rating shown on identification plate ⑨ corresponds to the input voltage specification and power requirement of your application.

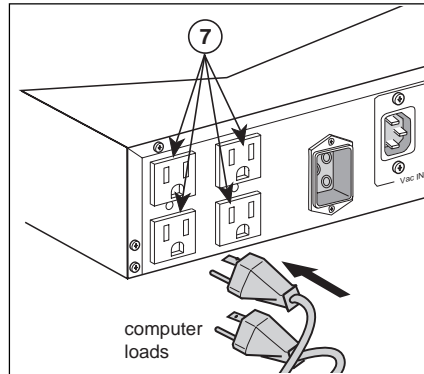
## connections

- use your application cord to supply input power to Pulsar as shown.

Connect the computer cord ⑤ between UPS utility power receptacle ④, and a nearby utility power outlet.



- use IEC cords to connect your applications to output sockets ⑦.



### Note 1:

Following connection, the battery automatically charges, whatever the position of the ON/OFF button ③ "⏻".

### Note 2:

The batteries will provide full back-up time after approximately 8 hours of recharge time.

### Note 3:

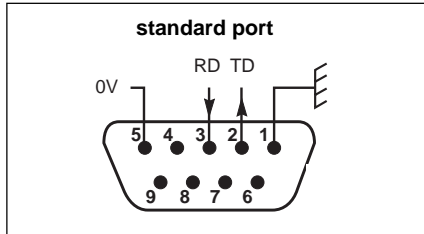
The rating of input power cord must not be less than the nominal input rating of **Pulsar EX10Rack**. Use the supplied cord.

- connection of Pulsar EXB10Rack battery extension module (optional):

- check that button ③ "⏻" on the front of the Pulsar EX10Rack is not pushed in,
- disconnect the utility power connection cord ⑤,
- flip the circuit-breaker ⑳ of the unit to the right (position "O"),
- connect the battery connection cord ㉓ to connector ㉑ of the module and connect ⑬ of the Pulsar EX10Rack,
- if the installation has 2 battery modules, connect the second cord ㉓ to connectors ㉑ of the second module and ㉒ of the first module,
- the use of connectors ⑬, ㉑ and ㉒ is strictly limited to connecting the battery modules to the Pulsar EX10Rack. Any other connection to these connectors is prohibited at the risk of damaging the battery and losing the warranty,
- flip the battery circuit-breaker ㉒ to the left (position "I"),
- if your installation is operated with MGE UPS SYSTEMS software, update your battery configuration with EX Tuner.

## communication

■ the U-Talk communication port, at the rear of the **Pulsar**, delivers information in the form of an RS232 series link supported by the communication protocol exclusive to MGE UPS SYSTEMS. The Solution-Pac™ programs use the data made available by this protocol.

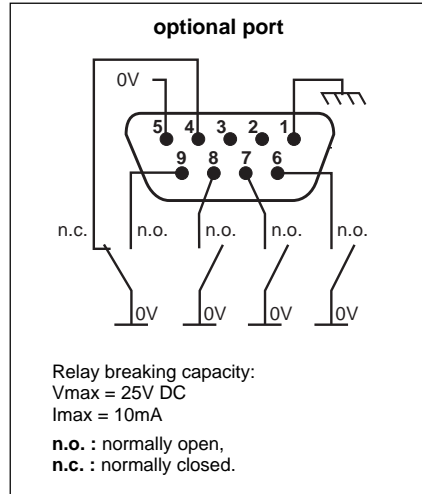


With the EX Driver software program you can set up **Pulsar EXRack** to suit your user conditions (EX Tuner). To install EX Driver, connect the serial cable supplied to COM1 to COM4 (set up by EX Tuner) serial port of your computer equipped with Windows 3.1 or 95/98 on the one end, and to the serial **Pulsar EXRack** connector on the other end. Insert the CD and type A:\Install. Follow the installation instructions on the screen.

## option 1

■ **status information card:** after the card is installed in the rear of the **Pulsar**, communication port transmits the status information on a SUB-D 9-pin female connector using the following pinouts:

- 1 - ground,
- 4 - normal operation,
- 5 - common,
- 6 - operation on utility power,
- 7 - low battery warning,
- 8 - load supplied by UPS,
- 9 - operation on battery.



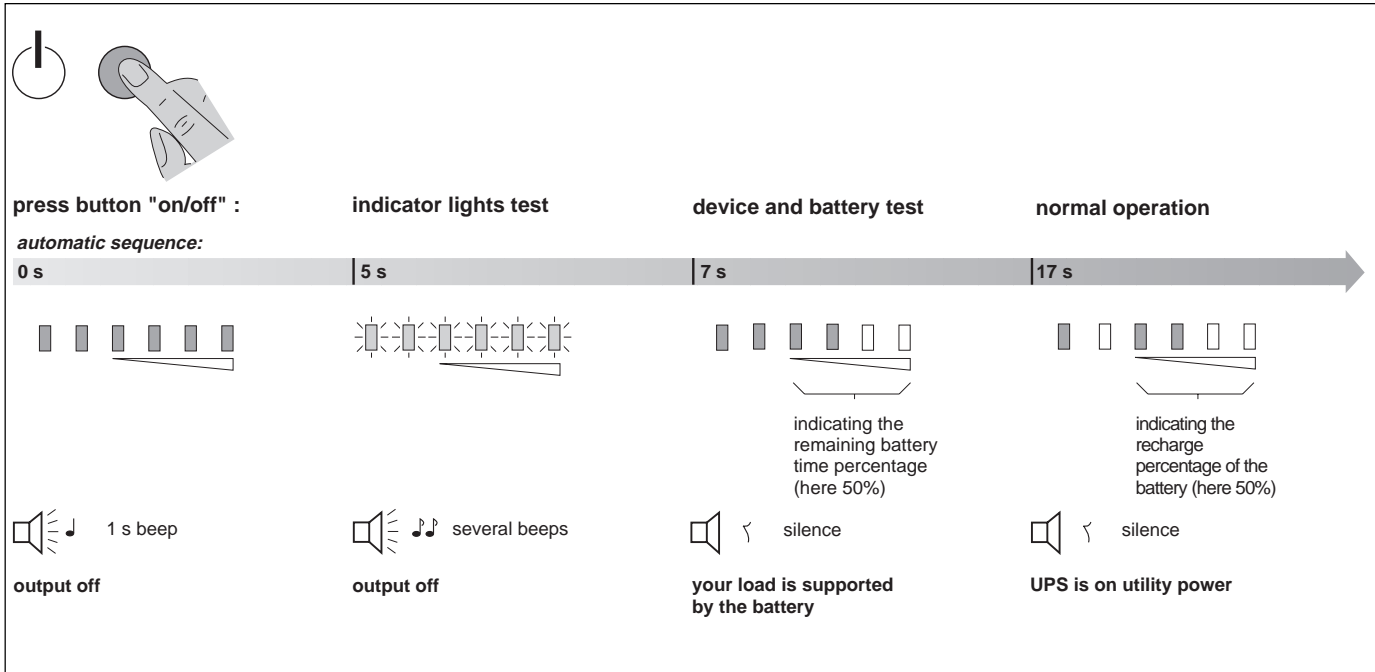
## option 2

■ **SNMP card:** after the card is installed in the rear of the **Pulsar**, the communication port transmits information supported by the TCP/IP and SNMP protocols on an RJ45 or BNC connector to any ethernet network.

Contact your sales agent for further details.

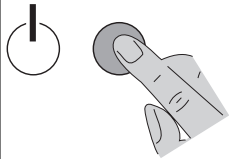
# operation

## starting up with utility power present



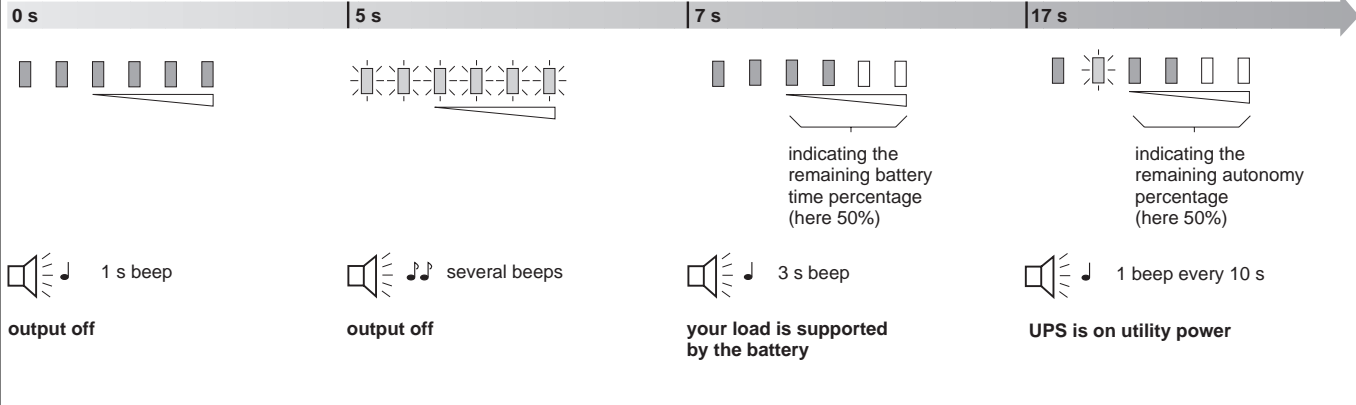


# starting up with out utility power

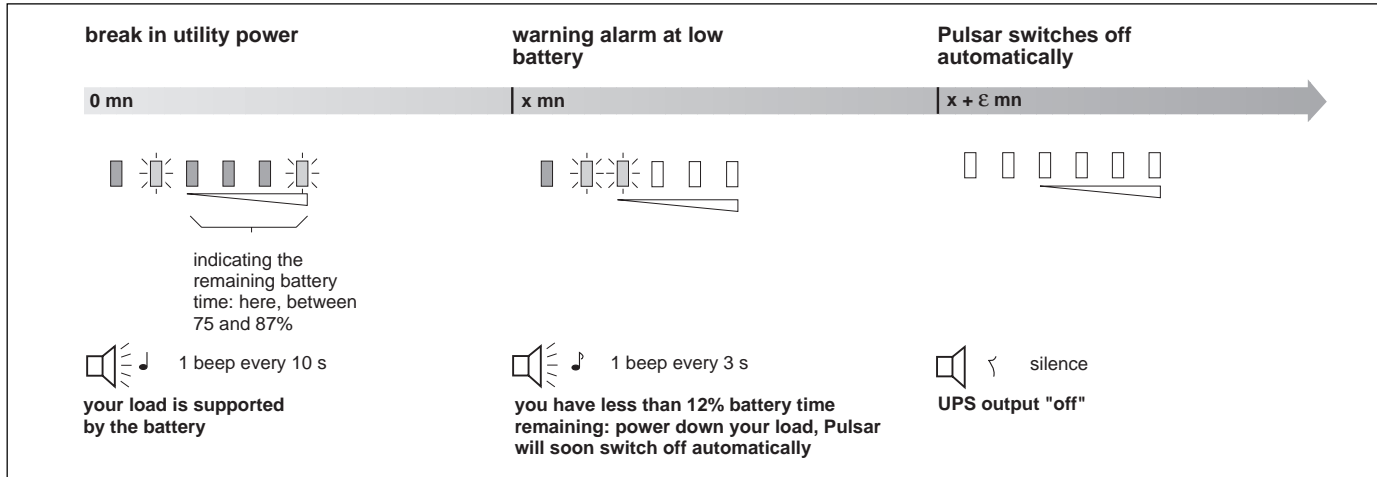


press "on/off" button:

automatic sequence:

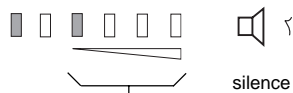


## operation on battery no utility power



## return of utility power

At whatever point the utility power returns, **Pulsar** switches to normal operation:



indicating the battery recharge percentage: here, between 12 and 25%

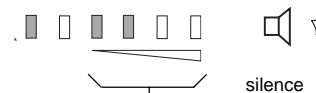
**your load is supplied by the utility power (on line)**

### Note:

The alarm silence button is to deactivate or activate the audio warning device when operating on battery, or when site wiring on battery fault occurred.

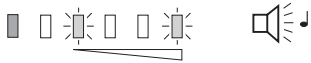
## load charge percentage

If utility power is present, hold alarm silence button in:



indicating the load charge percentage: here 50%

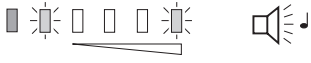
## overload utility power present



1 beep  
every  
second

automatic load transfer to bypass

## no utility power present

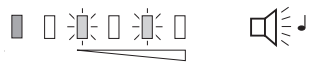


1 beep  
every  
second

**Pulsar switches off automatically after a length of time which depends on the level of overload.**

**Note:** overload occurs if the load consumption is greater than the rated power of **Pulsar**.  
To acknowledge the fault, release the "on/off" button, temporarily disconnected **Pulsar** from the wall socket (check input cord), disconnect loads and re-start **Pulsar**.


## operating anomalies device fault



1 beep  
every  
second

- ❑ automatic load transfer to bypass,
- ❑ switch off **Pulsar** (release "on/off" button), disconnect from the wall socket (check input cord), and check that **Pulsar** has not short-circuited (disconnect all loads),
- ❑ if necessary, change the input fuse,
- ❑ re-start **Pulsar**.

## battery low




continuous  
beep

after the start-up sequence, if the audio warning device sounds continuously,  
**recharge your battery for 8 hours.**

**Note:** if the previous symptoms persist, contact technical support.

## battery fault


A battery test is carried out while **Pulsar**, is in start-up mode, then automatically every 7 days (interval times adjustable using EX Driver). If a battery fault is detected, the following occurs:



1 beep  
every  
second

**recharge your battery for 8 hours.**

## operation on bypass



1 beep  
every  
second

see "overload" and "device fault" section

**Note:**  
This operating mode provides temporary inverter fault tolerance.



---

## service and factory repair - call 1 - 800 - 523 - 0142

■ direct questions about the operation, repair, or servicing of this equipment to MGE UPS SYSTEMS, Inc. Customer Support Services. Include the part number, assembly number, and serial number of the unit in any correspondence. Should you require factory service for your equipment, contact MGE UPS SYSTEMS, Inc. Customer Support Services and obtain a Return Materials Authorization (RMA) prior to shipping your unit. Never ship equipment to MGE UPS SYSTEMS, Inc. without first obtaining an RMA.

## proprietary rights statement

- the information in this manual is the property of MGE UPS SYSTEMS, Inc., and represents a proprietary article in which MGE UPS SYSTEMS, Inc., retains any and all patent rights, including exclusive rights of use and/or manufacture and/or sale. Possession of this information does not convey any permission to reproduce, print, or manufacture the article or articles shown herein. Such permission may be granted only by specific written authorization, signed by an officer of MGE UPS SYSTEMS, Inc.;
- Trademarks that may be used herein are owned by their respective companies and are referred to in an editorial fashion only.

## two years warranty policy

■ MGE UPS SYSTEMS, Inc. (herein after referred to as MGE) warrants **Pulsar** equipment manufactured by MGE to be free from defects in materials and workmanship for a period of two years from date of purchase. If within such period purchaser discovers defective item and promptly notifies MGE in writing, MGE shall repair or replace the item at the Company's option. This warranty shall not apply:

- to equipment not manufactured by MGE,
- to equipment repaired or altered by others than MGE,
- to equipment subjected to negligence, accident, or damage by circumstances beyond MGE's control, or to improper operations, maintenance, or storage, or to other than normal use or service.

With respect to equipment not manufactured by MGE, the Warranty obligations of MGE shall in all respects conform and Warranties do not cover reimbursement for labor, transportation, removal, installation, or other expenses which may be incurred in connection with repairs or replacement. Except as may be expressly provided in an authorized writing by MGE, MGE shall not be subject to any other obligations or liabilities whatsoever with respect to equipment manufactured by MGE or service rendered by MGE.

---

**MGE UPS SYSTEMS, Inc.**  
www.mgeups.com

**Postal address:**  
1660 Scenic Avenue  
Costa Mesa, CA 92626  
714-557-1636

## Free Manuals Download Website

<http://myh66.com>

<http://usermanuals.us>

<http://www.somanuals.com>

<http://www.4manuals.cc>

<http://www.manual-lib.com>

<http://www.404manual.com>

<http://www.luxmanual.com>

<http://aubethermostatmanual.com>

Golf course search by state

<http://golfingnear.com>

Email search by domain

<http://emailbydomain.com>

Auto manuals search

<http://auto.somanuals.com>

TV manuals search

<http://tv.somanuals.com>