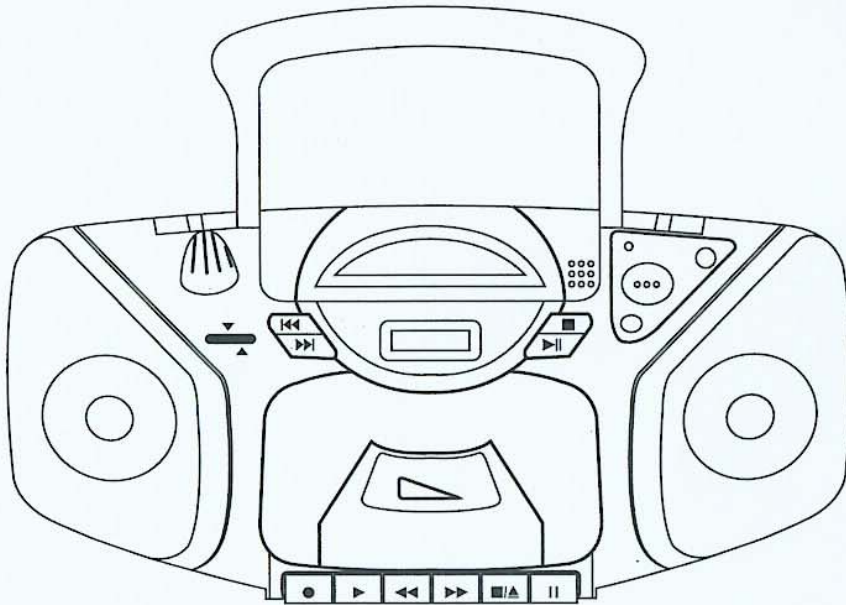


Memorex®

**PORTABLE CD PLAYER
DIGITAL AM/FM STEREO RADIO WITH
CASSETTE RECORDER**

MODEL:MP3131



**BEFORE OPERATING THIS PRODUCT,
PLEASE READ THESE INSTRUCTIONS COMPLETELY**

Dear Customer,

Please read this manual thoroughly before operating the unit so that you will be informed of all the features and control operations. Also keep these instructions handy for future reference.

**WARNING : TO REDUCE THE RISK OF FIRE OR ELECTRIC SHOCK.
DO NOT EXPOSE THIS APPLIANCE TO RAIN OR MOISTURE.**

	CAUTION RISK OF ELECTRIC SHOCK DO NOT OPEN	
CAUTION: TO REDUCE THE RISK OF ELECTRIC SHOCK, DO NOT REMOVE COVER (OR BACK). NO USER- SERVICEABLE PARTS INSIDE. REFER SERVICING TO QUALIFIED SERVICE PERSONNEL.		

CAUTION: Any changes or modifications in construction of this device which are not expressly approved by the party responsible for compliance could void the user's authority to operate the equipment.

DANGER : INVISIBLE LASER RADIATION WHEN OPEN AND INTERLOCK FAILED OR DEFEATED. AVOID DIRECT EXPOSURE TO BEAM.

CAUTION: HAZARDOUS LASER RADIATION WHEN OPEN AND INTERLOCK DEFEATED.

Explanation of Graphic Symbols:



The lightning flash with arrowhead symbol, within an equilateral triangle, is intended to alert the user to the presence of uninsulated "dangerous voltage" within the product's enclosure that may be of sufficient magnitude to constitute a risk of electric shock to persons.



The exclamation point within an equilateral triangle, is intended to alert the user to the presence of important operating and maintenance (servicing) instructions in the literature accompanying the appliance.



Caution
FOR COMPACT DISC UNIT ONLY
Invisible laser radiation when open and interlock failed or defeated. Avoid direct exposure to laser beam

LASER SAFETY:
This unit employs a laser. Only qualified service personnel should attempt to service this device due to possible eye injury.
CAUTION:
USE OF CONTROLS, ADJUSTMENTS OR PERFORMANCE PROCEDURE HEREIN MAY RESULT IN HAZARDOUS RADIATION EXPOSURE.

SAFETY INSTRUCTIONS

Before using the unit, be sure to read all operating instructions carefully. Please note that these are general precautions and may not pertain to your unit. For example, this unit may not have the capability to be connected to an outdoor antenna.

1. READ INSTRUCTIONS

All the safety and operating instructions should be read before the product is operated.

2. RETAIN INSTRUCTIONS

The safety and operating instructions should be retained for future reference.

3. HEED WARNINGS

All warnings on the product and in the operating instructions should be adhered to.

4. FOLLOW INSTRUCTIONS

All operating and use instructions should be followed.

5. CLEANING

Unplug this product from the wall outlet before cleaning. Do not use liquid cleaners or aerosol cleaners. Use a damp cloth for cleaning.

6. ATTACHMENTS

Do not use attachments not recommended by the product's manufacturer as they may cause hazards.

7. WATER AND MOISTURE

Do not use this product near water- for example, near a bathtub, washbowl, kitchen sink, or laundry tub, in a wet basement, or near a swimming pool.

8. ACCESSORIES

Do not place this product on an unstable cart, stand, tripod, bracket, or table. The product may fall, causing serious injury and serious damage to the product. Use only with a cart, stand, tripod, bracket, or table recommended by the manufacturer or sold with the product. Any mounting of the product should follow the manufacturer's instructions, and should use a mounting accessory recommended by the manufacturer.

8A. An appliance and cart combination should be moved with care. Quick stops, excessive force, and uneven surfaces may cause the appliance and cart combination to overturn.



9. VENTILATION

Slots and openings in the cabinet and in the back or bottom are provided for ventilation and to ensure reliable operation of the product and to protect it from overheating. These openings must not be blocked or covered. The openings should never be blocked by placing the product on a bed, sofa, rug, or other similar surface. This product should never be placed near or over a radiator or heat source. This product should not be placed in a built-in installation such as a bookcase or rack unless proper ventilation is provided or the manufacturer's instructions have been adhered to.

10. POWER SOURCES

This product should be operated only from the type of power source indicated on the marking label. If you are not sure of the type of power supply to your home, consult your appliance dealer or local power company. For products intended to operate from battery power, or other sources, refer to the operating instructions.

11. GROUNDING OR POLARIZATION

This product is equipped with a polarized alternating-current line plug (a plug having one blade wider than the other). This plug will fit into the power outlet only one way. This is a safety feature. If you are unable to insert the plug fully into the outlet, try reversing the plug. If the plug should still fail to fit, contact your electrician to replace your obsolete outlet. Do not defeat the safety purpose of the polarized plug.

12. POWER-CORD PROTECTION

Power-supply cords should be routed so that they are not likely to be walked on or pinched by items placed upon or against them, paying particular attention to cords at plugs, convenience receptacles, and the point where they exit from the appliance.

13. LIGHTNING

To protect your product from a lightning storm, or when it is left unattended and unused for long periods of time, unplug it from the wall outlet and disconnect the antenna or cable system. This will prevent damage to the product due to lightning and power-line surges.

14. POWER LINES

An outside antenna system should not be located in the vicinity of overhead power lines or other electric light or power circuits, or where it can fall into such power lines or circuits. When installing an outside antenna system, extreme care should be taken to keep from touching such power lines or circuits as contact with them might be fatal.

15. OVERLOADING

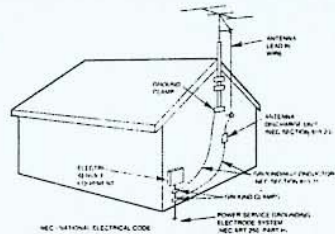
Do not overload wall outlets and extension cords as this can result in a risk of fire or electric shock.

16. OBJECT AND LIQUID ENTRY

Never push objects of any kind into this product through openings as they may touch dangerous voltage points or short out parts that could result in fire or electric shock. Never spill or spray any type of liquid on the product.

17. OUTDOOR ANTENNA GROUNDING

If an outside antenna is connected to the product, be sure the antenna system is grounded so as to provide some protection against voltage surges and built-up static charges. Section 810 of the National Electric Code, ANSI/NFPA 70, provides information with respect to proper grounding of the mast and supporting structure, grounding of the lead-in wire to an antenna discharge product, size of grounding conductors, location of antenna discharge product, connection to grounding electrodes, and requirements for grounding electrode.



EXAMPLE OF ANTENNA GROUNDING AS PER NATIONAL ELECTRICAL CODE

18. SERVICING

Do not attempt to service this product yourself as opening or removing covers may expose you to dangerous voltage or other hazards. Refer all servicing to qualified service personnel.

19. REPLACEMENT PARTS

When replacement parts are required, be sure the service technician uses replacement parts specified by the manufacturer or those that have the same characteristics as the original part. Unauthorized substitutions may result in fire, electric shock or other hazards.

20. SAFETY CHECK

Upon completion of any service or repairs to this product, ask the service technician to perform safety checks to determine that the product is in proper operating condition.

21. WALL OR CEILING MOUNTING

The product should be mounted to a wall or ceiling only as recommended by the manufacturer.

22. DAMAGE REQUIRING SERVICE

Unplug the product from the wall outlet and refer servicing to qualified service personnel under the following conditions:

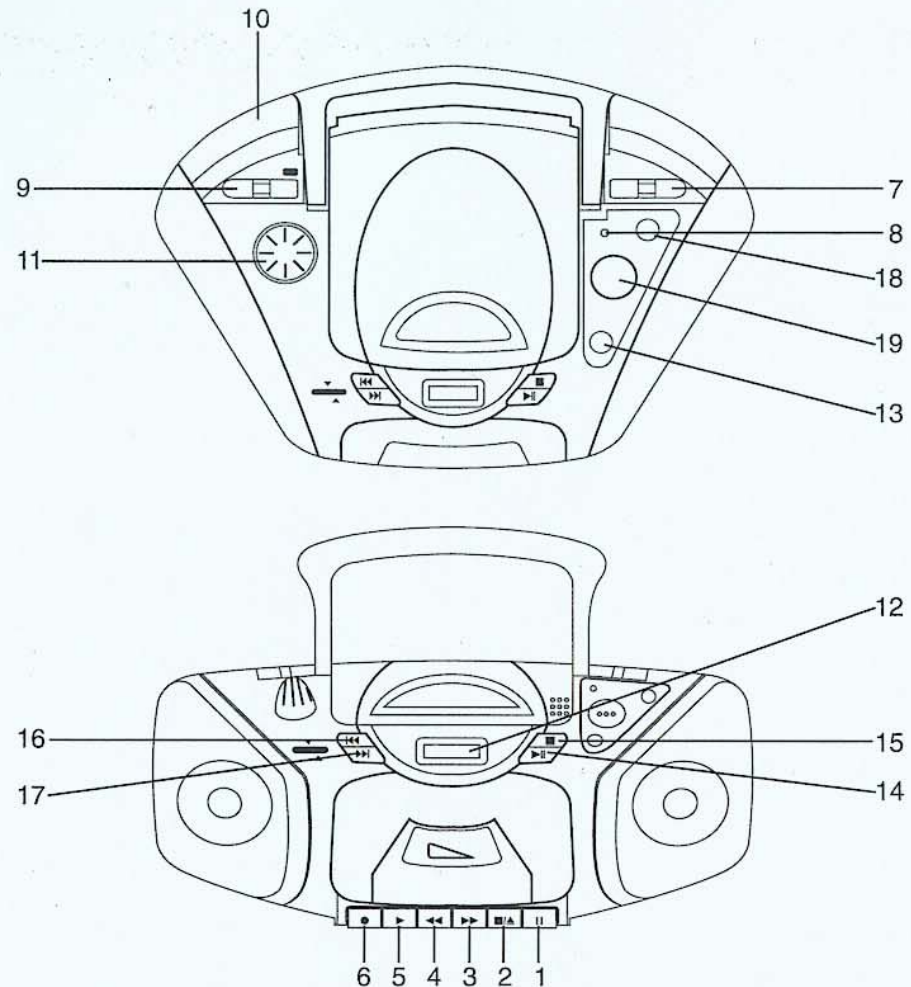
- When the power-supply cord or plug is damaged.
- If liquid has been spilled, or objects have fallen into the product.
- If the product has been exposed to rain or water.
- If the product does not operate normally by following the operating instructions, as an adjustment or other controls may result in damage and will often require extensive work by a qualified technician to restore the product to its normal operation.
- If the product has been dropped or the cabinet has been damaged.
- When the product exhibits a distinct change in performance - this indicates a need for service.

23. HEAT

The product should be situated away from heat sources such as radiators, heat registers, stoves, or other products (including amplifiers) that produce heat.

24. NOTE TO CATV SYSTEM INSTALLER

This reminder is provided to call the CATV system installer's attention to Article 820-40 of the NEC that provides guidelines for proper grounding and, in particular, specifies that the cable ground shall be connected to the grounding system of the building, as close to the point of cable entry as practical.



CONTROLS AND FEATURES

- Pause Button
- STOP/EJECT
- F.FWD Button
- REWIND Button
- PLAY Button
- Record Button
- AM/FM Band Switch
- Power Indicator
- Function Switch
- AC Socket

- Volume Knob
- CD Display
- Memory Key
- Play/Pause Key
- Stop Key
- Tuning Down/B. Skip Key
- Tuning Up/F. Skip Key
- Power ON/OFF Key
- Pre Set /Repeat Key

POWER OPTIONS

This stereo CD radio/cassette recorder operates on 120 V AC ~ 60HZ via the supplied adaptor or 8 'C' size batteries.

AC POWER OPERATION

Plug the supplied AC Main Lead into the rear of the unit, Make sure the supply Voltage of your home corresponds with the voltage rating of this unit.

BATTERY OPERATION

Disconnect the AC Main Lead.

Remove the battery compartment door.

Fit Eight LR14 size (C Cell or equivalent) batteries into the battery compartment following the polarity diagram on the back of the stereo.

If the LCD Display does not light, or becomes dim, the batteries are exhausted and need to be replaced with new ones. If the unit is not to be used for some time, or is being run exclusively on AC Power, remove batteries to avoid leakage.

RADIO MEMORY BACKUP

To store the radio memory, when the system is switched off 3 AA batteries must be insert in the following way.

Disconnect the AC Mains Lead.

Remove the battery compartment door.

At the back of the battery compartment is a small space for 3 AA batteries.

Fit three AA batteries into the battery compartment following the polarity diagram inside the battery compartment.

SWITCHING ON YOUR MUSIC SYSTEM

- Press the Power/ON/OFF button to turn the unit on.

SETTING CLOCK TIME

NOTE: When the unit is plug into an AC outlet for the first Time or after being disconnected from AC power for and extended period of time, Am 12:00 will display.

The AC power cord must be connected to an AC outlet to set clock time.

1. Press the Power/ON/OFF button to turn on the unit.
2. Press the Memory button, the HOUR digits will begin flashing and set the HOUR by pressing UP/

P-4

DOWN buttons. Make sure the correct AM or PM indicator is displayed..

3. Press the Memory button again, the MINUTE digits will flashing and set the Minute by pressing UP/ Down buttons.
4. Press Memory button to confirmed the setting.

Notes:

- Make sure the correct AM or PM indicators is displayed.
- If power is interrupted and then restored, perform Steps 1 through 4 to reset the correct time.
- Time can only be set while the clock display flashes (about 10 seconds).

LISTENING TO RADIO

- Press the power ON/Off button to turn the unit on.
- Select radio at the function switch.
- Select the desired frequency band by sliding the band switch.
- Tune the radio by using the Turning up/down buttons until the desired station is received.
- Adjust the volume setting to the required level.
- To turn off the radio, press the Power /ON/OFF button

PRESET STATION PROGRAMMING

1. Select the desired band by band selector.
2. Press the TUNING button ">>" or "<<" for a desired station.
3. When a desired station is tuned, press the MEMORY button ("MEMORY" symbol will flash on the display) and then store the desired station by pressing the PRESET button, the memory program number from 1-10, will be shown on the display. You may select any memory program number for the desired station.
4. Press the MEMORY button again in confirm the preset station ("MEMORY" symbol will go off) and the memory program number will show on display.
5. Repeat steps 2,3 and 4 to enter remaining preset stations and memory program numbers.

Note:

The preset memory capacity can store a maximum of 10 FM stations and 10 AM stations

PRESET STATION

To recall any preset station within the selected band, simply press PRESET button until preset memory program number selected appear on the display.

Notes;

BATTERY REPLACEMENT

When the information on the display becomes dim, it is also an indication of "LOW BATTERY". Replace new set of normal batteries to let the unit back to normal performance.

PLAYING COMPACT DISCS

Loading and Unloading Compact Discs

P-5

- Press the power/ON/OFF button to turn the unit on.
- Select CD at the function switch.
- Open the CD door by pressing the lower right corner of the CD door.(Make sure the handle is put down first)
- When the disc compartment has opened, remove a disc from its case and place it carefully in the compartment with the label side facing up.
- Close the disc compartment.
- When the compartment is fully closed, it will start to spin the disc and display the total number of tracks on the CD and the total playing time.
- The disc compartment may be opened at any time by pressing the Lower right corner of the CD door. Remove the CD only after the compartment has fully opened, and the CD has stopped spinning.

CAUTION

- Do not put anything except a compact disc into the compartment. Foreign objects can damage the mechanism.
- Do not force the compartment by hand during the opening operation.
- Keep the disc compartment closed when not in use to prevent dirt and dust from entering the mechanism.
- Never place two or more discs into the compartment at any time.

NORMAL DISC PLAY

- Load a CD into the disc compartment, and close the compartment, the display will show the total playing time and the total number of tracks on the CD.
- Press the CD Play/Pause button.
A track can be selected using the Track Skip/Search buttons. If this is done before Pressing the Play/Pause button, disc play will start with the selected track when the Play/Pause button is pressed.
- The display will show the playing track number and elapsed time.
- At the end of the disc, the unit will switch to stop mode.
Notes: If the disc is deeply scratched, or too dirty, disc play may not start. If an improperly centred disc is played, noise can be heard in the mechanism. The use of such discs should be avoided.

Important Information

This compact disc player has built-in error compensation circuits to correct for minor defects in a disc. There limits, however, to the amount of correct available. In some cases, the CD player may skip some tracks on a disc during disc play. This problem may be caused by defects (such as scratches) in the disc being played, which are too large for the error compensation circuits to handle.

NORMAL DISC PLAY

P-6

To stop a CD Part Way Through

- Press the Stop button. Disc play will stop.
- To temporarily stop disc play (pause mode), press the Play/Pause button. Disc Play will stop at the current play position. The elapsed time will begin to flash.
- To resume disc play, press the Play button again.

TRACK SKIP

Starting disc play from the beginning of a particular track

- Press the Forward (**▶▶**) or Reverse (**◀◀**) Skip/Search button to select the desired track. The number of the selected track will be shown on the CD display. Press the Play button to start play.

To skip the next track

- For example, to skip ahead to the beginning of the track 5 while track 4 is playing.
- Press the Forward Skip/Search button (**▶▶**) once. Disc play will resume at the Beginning of track 5.
The CD player will skip ahead to the next track each time the Forward Skip/Search Button (**▶▶**) is pressed. Repeatedly pressing the Forward Skip/Search button makes the CD player skip ahead through the disc track by track. Once the Beginning of the last track is reached the CD player will go to track 1.

To skip back to the previous track

- For example, to skip back to the beginning of track 3 while track 4 is playing.
- Press the Reverse Skip/Search button (**◀◀**) twice. Disc play will resume at the beginning of track 3. The CD player will skip back one track each time the Reverse Skip/Search Button (**◀◀**) is pressed. If this button is pressed in the middle of a track, the CD player will skip back to the beginning of that track. To make it skip back to the previous track press the Reverse Skip / Search button twice.
Once the beginning of the first track is reached, the CD player will go back to the last track.
Notes: the Forward and Reverse Skip/Search buttons can be used to select a desired track to play from before disc play starts. In this case the number of the selected track will be displayed until the Play/Pause button is pressed.

SEARCH

During playback, pressing and holding the Forward Skip/Search or Reverse Skip /Search buttons will cause the player to scan through the current track. At the end of a track the Player will skip to the next track and continue scanning.

When the player reaches the end of the final track, or the beginning of the first track, it will stop scanning.

REPEAT DISC PLAY

Use the PRESTES/REPEAT button to listen to an entire disc, one track, or a programmed Sequence

P-7

repetitively.

For repeat play of one track

Press the PRESETS/REPEAT button twice. The flash repeat indicator will be displayed in the top middle of the display.

Select the desired track by repeatedly pressing the forward or Reverse Skip Track buttons. The selected track will be shown in the CD display.

Press the Play/Pause button.

The selected track will then begin playing through to its end. At which point it will Automatically return to the beginning of that track. This will continue until the Stop button is pressed.

If the PRESETS/REPEAT button is pressed one more times during play, the repeat indicator will go off, repeat play will end, and normal disc play will resume from that point.

For repeat disc play repeat of all the tracks on the CD

Press the PRESETS button once. The repeat indicator will be displayed.
Press the Play/Pause button.

The disc will then begin playing through to the end of the last track. At which point it will automatically return to the beginning of the first track. This will continue until the Stop button is pressed.

If the Repeat button is pressed 2 more times, the repeat indicator will go off, repeat play will end, and normal disc play will resume from that point.

When the last track has finished playing, the CD player will be set to the Stop mode.

For repeat play of a programmed sequence

- Enter a program as described in the cd memory programming section.
- Press PRESETS/REPEAT button one. The repeat indicator will be displayed.
Press the Play/Pause button.

The CD will then begin playing through the sequence in the order in which they were programmed, to the end of the last programmed track. At which point it will automatically return to the beginning of the first programmed track. This will continue until the Stop button is pressed.

Pressed the repeat button until the repeat indicator go off, repeat play will end, and programmed disc play will resume from that point.

When last programmed track has finished playing, the CD player will be sent to the Stop mode.

PROGRAMMED DISC PLAY

It is not possible to enter programs during disc play. Press the stop button first, then follow the instructions below.

Entering a Program

P-8

Press the MEMORY button. The following will be displayed on the CD display.

TRACK	MEMORY
P-01	00

Select the desired track using the Forward and Reverse Skip Track buttons. The selected track number will be shown on the CD display along with the program location number.

TRACK	MEMORY
P-01	05

Press the MEMORY button. The first program selection is now stored in the program.

TRACK	MEMORY
P-02	00

For the next track, select the desired track number, then press the MEMORY button.

TRACK	MEMORY
P-02	03

Continue entering tracks in this way until at the desired tracks are stored (up to a limit of 20).

Notes: If the Play/Pause button is pressed before pressing the MEMORY button the track will not be stored in memory, and the disc will start playing from the first selected track.
Any track can be programmed to play more than once.

Listening to Programmed Tracks

Enter a program as described above.

Press the Play/Pause button. The track number and playing time will be displayed.

Disc play will start at the beginning of the first programmed track.

When all of the programmed tracks have finished playing, the CD player will enter the stop mode.

To clear The Program Memory

Press stop button to stop the DISC playing (If the DISC is playing), Press memory button and then press stop button again to clear the memory.

Note: The program memory will also be cleared if the disc compartment is opened, or if the power is switched off.

LISTENING TO TAPE

Insertion an Removal of Cassettes

- Press the Power/ON/Off button to turn the unit on
- Select tape at the function switch
- Press the Stop/Eject key to open the Cassette Door.
- Slip your cassette tape into the door, with the exposed section at the bottom and the playback side facing you.
- Close the Cassette Door securely.
- When finished, press the Stop/Eject key to open the Cassette Door, and retrieve you cassette play

P-9

Playback

- Select Tape at the function switch.
- Insert your cassette tape with the exposed section at the bottom and the playback side facing you.
- Press the Play key to activate playback.
- Use the Pause key whenever you want to suspend playback.
- Press the Stop/Eject key when finished.

RECORDING

RECORDING FROM THE RADIO

- Turn the power on.
- Insert a blank cassette into the cassette deck. With recording tags intact and full spool to the left.
- Select RADIO at the function switch.
- Select the desired frequency band by Band Button.
- Tune the radio by using the Tuning up/down buttons until the desired station is received.
- Press the Pause button and then press the Record button. The Play button will go down automatically.
- Release the Pause button to begin recording.
- When the end of the tape is reached, the unit will automatically stop. Press the stop/Eject button to end recording at any time.

RECORDING FORM THE CD

- Turn the unit on.
- Select CD at function switch. Open the CD Door by pressing the lower right corner of the CD Door and then insert a CD Disc.
- Close the CD tray select the track to be recorded by using the SKIP buttons.
- Press the Play/Pause button twice to put CD in the Pause mode.
- Press the Stop/Eject button of the Cassette Deck and insert a blank cassette with the exposed section of tape at the bottom and full reel to the left ensure the record tabs are intact.
- Press Record and Play Buttons simultaneous at Tape Deck and press CD Play/Pause Button again for recording.

HEADPHONES

Headphones should have a 3.5 mm diameter stereo plug and an impedance of 8-32 ohms. When headphones are connected, the speakers are automatically disconnected.

TROUBLESHOOTING GUIDE

Before requesting service, please refer to the following chart for the symptom and possible solution.

SYMPTOMS	POSSIBLE CAUSES	POSSIBLE SOLUTIONS
CD PLAYER		
CD Player will not operate.	Function Selection Switch Not set to CD position.	Set Function Selector Switch To CD position.
	CD not installed or Installed upside down.	Insert CD with a lable side up.
CD skips while playing	Disc is dirty or scratched.	Wipe disc with a soft cloth or try another disc.
RADIO		
FM STEREO indicator Doesn't shown on LCD display	Station not properly tuned.	Retune the FM station.
	Station is boardcasting in mono	Tune to a stereo boardcast station.
Noise or sound distorted on AM or FM broadcaset	FM telescopic antenna not extended or weak station.	FM – Extended the telescopic antenna AM – Rotate unit until best reception is obtained.
No sound.	Station not properly tuned.	Retune AM or FM Station
	Function Selector Switch not set To RADIO position.	Set Function Selector Switch to RADIO position.
	Volume Control is at minimum Position.	Increase volume.
CASSETTE		
No sound	Function Selector Switch not set to TAPE position. No recording on tape.	Set Function Selector Switch to TAPE position.
Sound distorted or slow or erratic Speed	Dirty head, tape too old or worn.	Clean the head or replace Pre-recorded cassette tape.
	Cassette Deck will not record	Batteries weak. Function Selector Switch not set Properly
		Cassette not inserted or erase prevention tab removed.
Weak or distorted recording.	Cassette tape is poor quality or batteries are weak.	Try another cassette tape. Check batteries
GENERAL		
No sound.	AC cord not connected properly or weak or dead batteries.	Check AC cord connections or replace weak or dead batteries
	Volume Control set to minimum	Increase the Volume

MAINTENANCE AND CARE

Clean the heads frequently to remove dust and tape residue, dirt on the heads will be impair the sound Quality of both recording and playback. There are two methods for head cleaning. A: the simple method is to use a head cleaning cassette tape which is available at most audio store, just follow the instructions Supplied with the cleaning cassette tape. B: The head can be also cleaned manually.

1. Press the Eject Button of Tape Deck to open the cassette compartment, remove cassette tape From the compartment , if any:
2. Press Play Buttons of Tape Deck.
3. Wipe the heads with a soft lint-free cloth of cotton swab that has been partially soaked in alcohol (methylated spirit), until the heads are free of all dirt and residue desposits.

SPECIFICATION

Power Supply

AC:	120V - 60 Hz
Batteries:	Main Unit 8 x C cells (LR14 or equivalent) Backup 3 x AA Cells

Radio Frequency Coverage

FM:	87.5 - 108 MHz
AM:	520 - 1710 kHz

Recording System

Recording System:	DC Bias
Erasing System:	Magnetic Erase

General

Headphones:	3.5 stereo jack plug, 8-32
-------------	----------------------------

CD Player

Pick up:	3-Beam, Semiconductor Laser
Encoding:	16-Bit Linear 2 x Oversampling

Memorex®

LIMITED WARRANTY AUDIO/PHONES

We at Memorex believe you will be pleased with your new product. Please read this Warranty Carefully. Memorex warrants this product to be free from manufacturing defects including original parts and workmanship for a period of ninety (90) days from the date of original purchase in, and if used in, the United States.

Should you find your unit is not operating properly during the terms of full coverage of this warranty, ninety (90) days, you should contact your original place of purchase for an exchange with a valid receipt. If necessary, Memorex will provide one of the following options (at Memorex's discretion), providing the manufacturing defect is verified along with the date of purchase.

- Repair service for ninety (90) days from date of original purchase at no charge for labor and parts at their authorized warranty service facility, providing the manufacturing defect is verified along with the date of purchase.
- Replacement of defective unit with either a new, refurbished, or equivalent model at no charge for ninety (90) days from date of original purchase.

This warranty is void if the product is:

- A) Damaged through negligence, abuse, misuse, accident, or acts of God.
- B) Used in commercial applications or retails.
- C) Modified or repaired by anyone other than Memorex or their expressly authorized representative.
- D) Damage resulting from the improper connection to equipment of other manufactures.

This warranty does not cover:

- A) Cost incurred in the shipping of the product to and from the Memorex authorized repair facility listed.
- B) Damage or improper operation caused by the failure to follow the operating instructions provided with the product.
- C) Routine adjustments to the product, which can be performed by the customer as outlined in the owner's manual.
- D) Signal reception problems caused by external factors.
- E) Products not purchased in the United States.
- F) Damage to the products used outside the United States.
- G) Damage to audiocassette tapes.
- H) Damage to compact disc.

In the event that service is required under this warranty,, please contact CUSTOMER SERVICE at 1-800-919-3647 or contact our website at www.memorex.com.

THIS WARRANTY IS NON-TRANSFERABLE AND APPLIES SOLELY TO THE ORIGINAL PURCHASER AND DOES NOT EXTEND TO SUBSEQUENT OWNERS OF THE PRODUCT. ANY APPLICABLE IMPLIED WARRANTIES, INCLUDING THE WARRANTY OF MERCHANTABILITY, ARE LIMITED IN DURATION TO A PERIOD OF THE EXPRESSED WARRANTY AS PROVIDED HEREIN BEGINNING WITH THE DATE OF THE ORIGINAL PURCHASE AT RETAIL AND NO WARRANTIES, WHETHER EXPRESSED OR IMPLIED SHALL APPLY TO THE PRODUCT THEREAFTER. MEMOREX MAKES NO WARRANTY AS TO THE FITNESS OF THE PRODUCT FOR ANY PARTICULAR PURPOSE OR USE.

THE EXTENT OF MEMOREX'S LIABILITY UNDER THIS LIMITED WARRANTY IS THE REPAIR OR REPLACEMENT PROVIDED ABOVE AT THE SOLE DISCRETION OF MEMOREX. IN NO EVENT SHALL MEMOREX'S LIABILITY EXCEED THE PURCHASE PRICE PAID BY THE DIRECT, INDIRECT INCIDENTAL, FORESEEN, UNFORESEEN, SPECIAL, OR CONSEQUENTIAL DAMAGE ARISING OUT OF OR IN CONNECTION WITH THE USE OF THIS PRODUCT.

THIS WARRANTY IS VALID ONLY IN THE UNITED STATES. THIS WARRANTY GIVES YOU SPECIFIC LEGAL RIGHTS, HOWEVER, YOU MAY HAVE OTHER RIGHTS WHICH MAY VARY FROM STATE TO STATE. SOME STATES DO NOT ALLOW LIMITATIONS ON IMPLIED WARRANTIES OR EXCLUSION OF CONSEQUENTIAL DAMAGE, THEREFORE THESE RESTRICTIONS MAY NOT APPLY TO YOU.

© 1999, Memorex is a registered trademark of Memorex telex N,V.

Free Manuals Download Website

<http://myh66.com>

<http://usermanuals.us>

<http://www.somanuals.com>

<http://www.4manuals.cc>

<http://www.manual-lib.com>

<http://www.404manual.com>

<http://www.luxmanual.com>

<http://aubethermostatmanual.com>

Golf course search by state

<http://golfingnear.com>

Email search by domain

<http://emailbydomain.com>

Auto manuals search

<http://auto.somanuals.com>

TV manuals search

<http://tv.somanuals.com>