

OPERATION

If you experience a problem with this unit, check the chart below before calling for service.

SYMPTOM	POSSIBLE CAUSE	POSSIBLE SOLUTION
No sound.	VOLUME/Power control not set to ON.	Rotate clockwise until a click is heard.
	VOLUME/Power control at minimum position.	Increase the VOLUME/Power control.
	Batteries not installed properly or dead.	Install fresh batteries properly.
	Earbuds not connected.	Connect earbuds.
Noise or sound distorted on AM or FM.	AM - Interference from traffic.	Turn the radio for better AM reception.
	FM - Earbud wire not extended.	Extend Earbud wire.

Memorex®

ARMBAND AM/FM RADIO

MODEL: MB210

BEFORE OPERATING THIS PRODUCT, PLEASE READ THESE INSTRUCTIONS COMPLETELY.

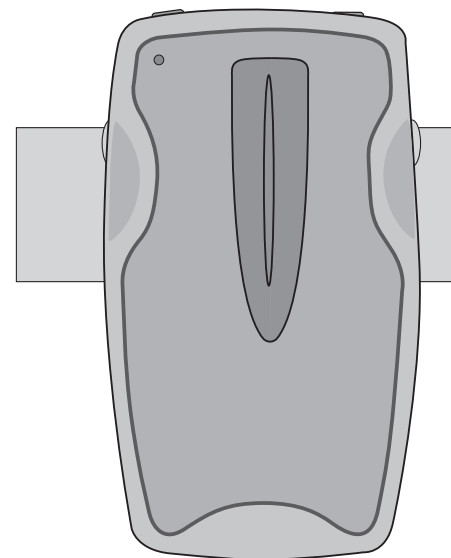
FOR ADDITIONAL SET-UP OR OPERATING ASSISTANCE, PLEASE VISIT OUR WEBSITE AT:

WWW.MEMCORPINC.COM

OR CONTACT CUSTOMER SERVICE AT 1-800-919-3647.

PLEASE KEEP ALL PACKAGING MATERIAL FOR AT LEAST 90 DAYS IN CASE YOU NEED TO RETURN THIS PRODUCT TO YOUR PLACE OF PURCHASE OR MEMOREX.

FOR PARTS AND ACCESSORIES, CONTACT FOX INT'L AT 1-800-321-6993.

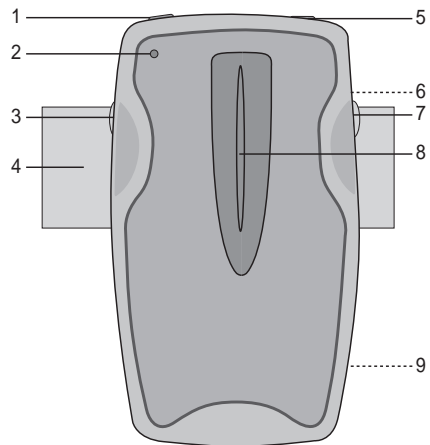


Memcorp, Inc.
Weston, FL
Printed in Hong Kong

Visit our website at www.memcorpinc.com

OPERATING INSTRUCTIONS

LOCATION OF CONTROLS



- | | |
|-------------------------|--|
| 1. FM/AM Switch | 6. Armband Strap Holder (Rear of Unit) |
| 2. Power Indicator | 7. TUNING Control |
| 3. VOLUME/Power Control | 8. AM/FM Dial Scale |
| 4. Armband Strap | 9. Battery Compartment (Rear of Unit) |
| 5. Earbud Jack | |

BATTERY OPERATION

1. Remove the Armband Strap holder by sliding it downward, then remove the Battery Compartment cover by pressing in on the tab and lifting it out.
2. Insert two (2) "AAA" size batteries following the diagram.
3. Replace the Battery Compartment cover and make sure it snaps shut securely.



BATTERY PRECAUTIONS

Follow these precautions when using batteries in this device:

1. Use only the size and type of batteries specified.
2. Be sure to follow the correct polarity when installing the batteries as indicated in the battery compartment. Reversed batteries may cause damage to the device.
3. Do not mix different types of batteries together (e.g. Alkaline and Carbon-zinc) or old batteries with fresh ones.
4. If the device is not to be used for a long period of time, remove the batteries to prevent damage or injury from possible battery leakage.
5. Do not try to recharge batteries not intended to be recharged; they can overheat and rupture. (Follow battery manufacturer's directions.)

OPERATION

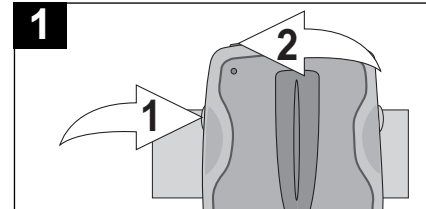
EARBUDS:

Included with this unit are earbuds. Make sure the VOLUME/Power control is at minimum and insert the earbud plug into the earbud jack on the top of the unit. Place the earbuds into your left and right ears, corresponding to the "L" and "R" mark on each earbud.

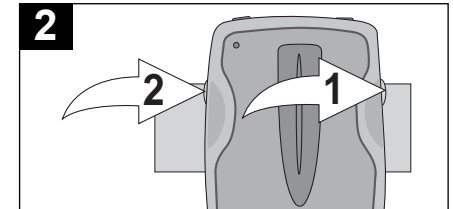
ARMBAND STRAP:

You can strap this unit onto your arm using the armband strap. Simply unfasten the velcro and put around arm and then refasten velcro.

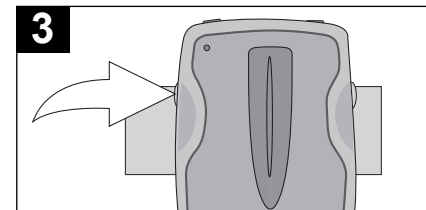
TO LISTEN TO THE RADIO



Insert the earbuds into the Earbud jack and rotate the VOLUME/Power control ⌚ clockwise until a click is heard to turn the unit on; the Power indicator will light. Slide the AM/FM switch ⌚ to the AM or FM position.



Tune a station by turning the TUNING control ⌚. Adjust the VOLUME/Power control ⌚ as desired.



When done listening, rotate the VOLUME/Power control counterclockwise until a click is heard to turn the unit off; the Power indicator will go out.

Antennas

FM: Extend the earbud wire for best reception.
AM: Turn the unit for better AM reception.

Free Manuals Download Website

<http://myh66.com>

<http://usermanuals.us>

<http://www.somanuals.com>

<http://www.4manuals.cc>

<http://www.manual-lib.com>

<http://www.404manual.com>

<http://www.luxmanual.com>

<http://aubethermostatmanual.com>

Golf course search by state

<http://golfingnear.com>

Email search by domain

<http://emailbydomain.com>

Auto manuals search

<http://auto.somanuals.com>

TV manuals search

<http://tv.somanuals.com>