

## Copyright and acknowledgements

### Sales and service in the UK

Meridian Audio Ltd,  
Latham Road,  
Huntingdon,  
Cambridgeshire,  
PE29 6YE, England,

T: +44 (0)1480 445 678  
F: +44 (0)1480 445 686

[www.meridian-audio.com](http://www.meridian-audio.com)

Designed and engineered in the UK

Copyright © 2007 Meridian Audio Ltd.

Boothroyd Stuart Meridian and Meridian are registered trademarks of  
Meridian Audio Ltd.

This guide was produced by:  
Human-Computer Interface Ltd,  
[www.interface.co.uk](http://www.interface.co.uk)

BOOTHROYD STUART  
**MERIDIAN**

### Sales and service in the USA

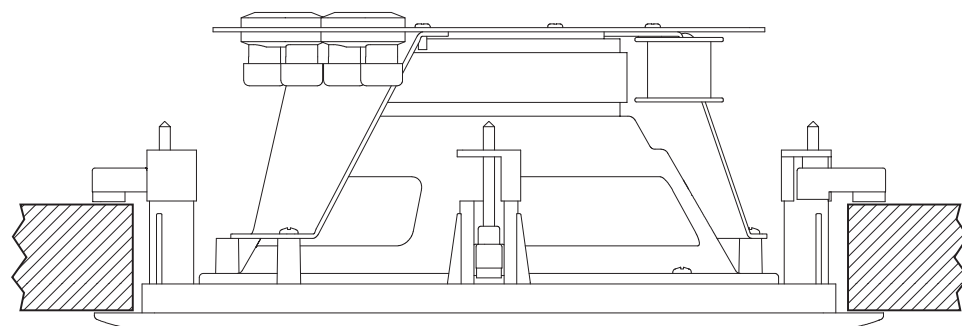
Meridian America Inc,  
8055 Troon Circle,  
Suite C,  
Austell,  
GA30168-7849, USA

T: (404) 344 7111  
F: (404) 346 7111

[www.meridian-audio.com](http://www.meridian-audio.com)

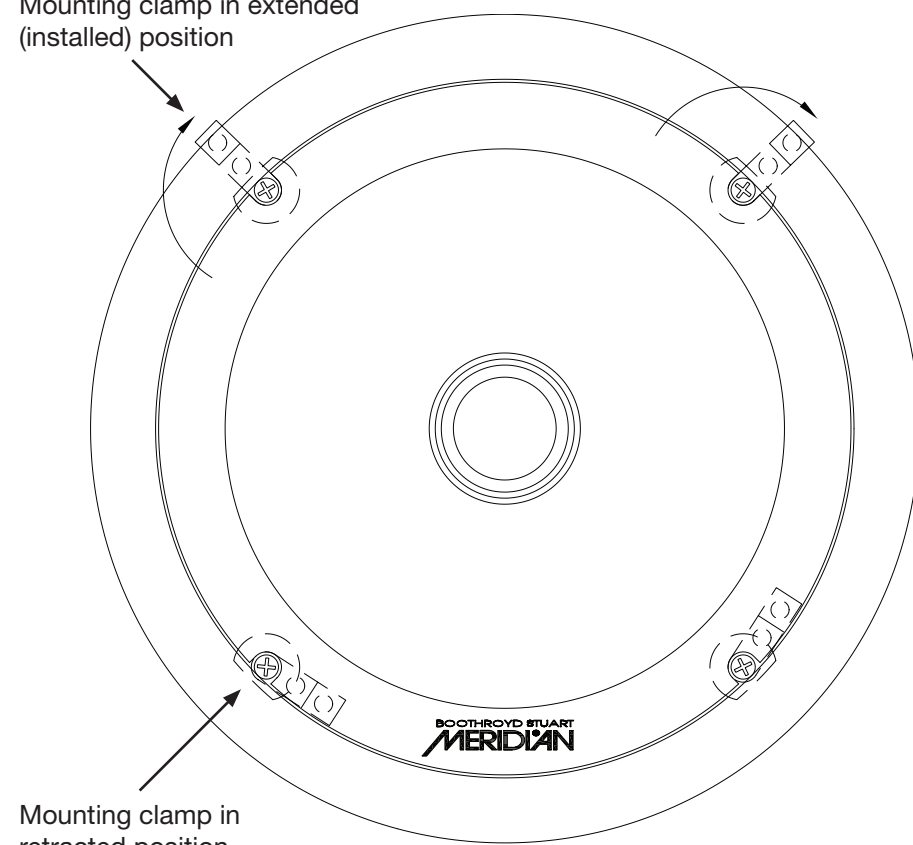
## P200Z

Side view of P200Z showing mounting clamps attached to ceiling:



Front view of P200Z showing mounting clamps (see text):

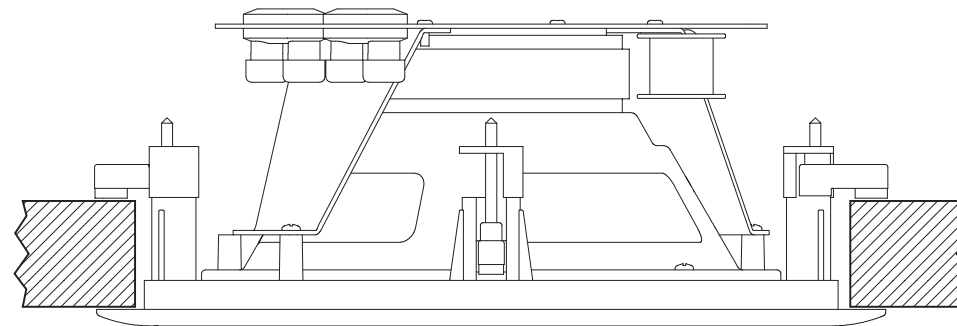
Mounting clamp in extended  
(installed) position



Mounting clamp in  
retracted position

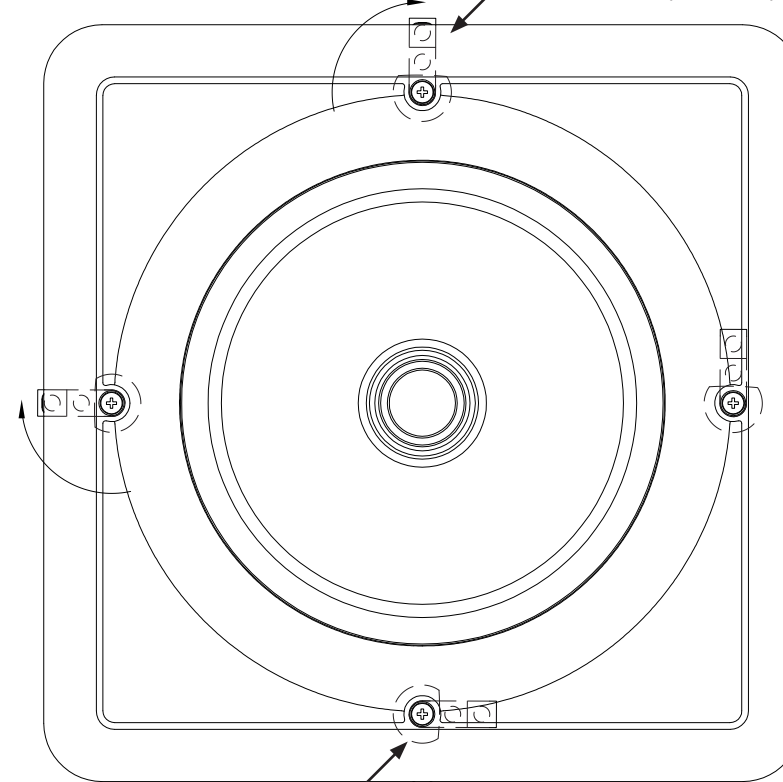
## P200ZQ

Side view of P200ZQ showing mounting clamps attached to ceiling:



Front view of P200ZQ showing mounting clamps (see text):

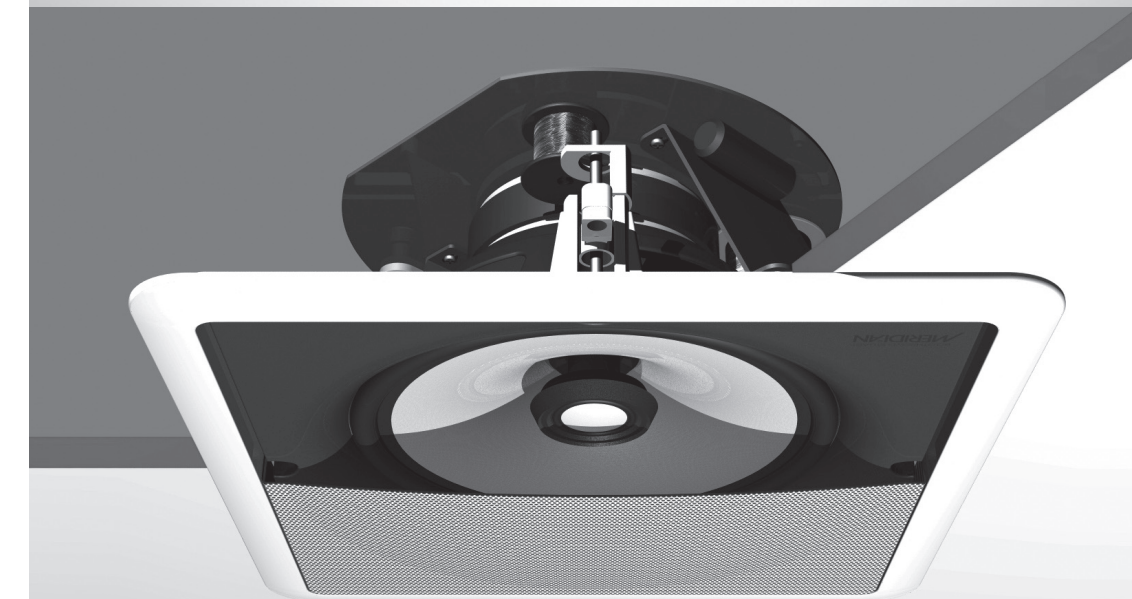
Mounting clamp in extended  
(installed) position



Mounting clamp in  
retracted position

# P200Z/P200ZQ

## Ceiling Loudspeaker System Installation Instructions



BOOTHROYD STUART  
**MERIDIAN**

## Introduction

These instructions apply to the following products:

- P200Z Round Ceiling Loudspeaker System
- P200ZQ Square Ceiling Loudspeaker System

## Unpacking and Inspection

Carefully unpack your loudspeaker. Each carton contains the following:

- 1 × Baffle and speaker assembly
- 1 × Metal grille
- 1 × Paint Shield (to protect the speaker during painting)
- 1 × Cardboard mounting template

We suggest you retain the packing for future use. The speaker is supplied with the grille removed and stored separately. We suggest that you keep the grille in its plastic bag (and preferably in the carton), away from the work area until you are ready to fit it.

## Before You Start

If you have any doubts about your ability to install this loudspeaker correctly, you should consider the services of a custom installer before you start cutting into walls or ceilings.

In addition to ceilings, this speaker can be mounted into standard 4 inch deep stud walls and is designed to occupy this depth.

Determine the final locations for all speakers before cutting the first hole, since the position of each speaker may affect the others, either aesthetically or acoustically. Check for pipes, house wiring, or other items inside walls that might be damaged when you cut holes.

## Pre-wiring

Please note the following points when wiring the speakers:

- Speaker wire should be rated to comply with applicable local safety codes such as UL or CL-2.
- Use only stranded wire no thinner than AWG 16. For runs longer than 100 feet, we recommend using at least AWG 14.
- When pulling wire, take care not to pull the wire too fast to prevent stretching the wire or scorching the insulation as a result of friction.
- Leave 2 to 3 feet of excess loudspeaker wire at both ends; it is easier to trim off excess wire than to splice additional wire.
- When securing the wire inside the walls, be careful not to pierce its insulation with nails or staples.

For best performance and easier troubleshooting, always ‘home run’ wiring when installing multiple speakers rather than connecting from one speaker to the next. Make certain that each power amplifier channel can drive the combined load impedance if it is connected to more than one speaker.

## Installation

1. Reconfirm that there is clearance between each edge of the planned cutout and wall studs or floor joists.
2. Fasten the supplied cardboard template to the wall or ceiling with tape or thumbtacks/drawing pins.
3. Use either the inner or outer section of the template, whichever is easier for you.
4. Trace the cutout guide with a pencil.
5. Before making the final cutout, make a smaller ‘test cutout’ in the center of the penciled outline. Reach inside the test hole to verify that there are no obstructions.
6. Score the drywall/plasterboard with a razor knife and use a keyhole saw to complete the cut. Remove debris from the exposed edge of the wall or ceiling.
7. Having run the speaker wire, secure it to a location adjacent to the cutout to prevent its weight from pulling it loose from the speaker terminals.
8. We recommend that you install flame-retardant sound-absorbing material such as ceiling insulation behind the woofer to reduce sound transmission into the room above/adjacent.
9. Insert the speaker wires into the connectors, making sure ‘+’ and ‘-’ polarity are correct.
10. Insert the speaker frame into the cutout; it should go into the cutout easily, without forcing. You may need to swing some or all of the small mounting clamps back in their retracted positions first (*see diagram*).
11. Tighten the four mounting screws on the bezel. When you first turn these screws, the mounting clamps will automatically swing out from their retracted positions. As you continue turning the screws, these will then clamp against the rear surface of the wall or ceiling. Avoid using excessive force to prevent deforming or cracking the speaker’s mounting frame.

## Pivoting Tweeter

You may pivot the tweeter of the ceiling speaker up to 15 degrees off-axis to direct treble towards the intended listening area. Sometimes the ceiling speaker is mounted close to side walls; the sound can be improved by aiming the tweeter into the room to reduce reflections from the nearby wall.

## Specifications

	P200Z	P200ZQ
Shape	Round	Square
Frequency response	52Hz-20kHz	
Nominal impedance	8Ω	
Sensitivity (1W/1M)	89dB/1W @ 1m	
Rated power input	10-80W	
Woofer diameter	Dia. 8" (203mm)	
Cone material	Silver Coated Paper	
Surround material	Rubber	
Tweeter diameter	Dia. 1" (25.4mm)	
Diaphragm material	Aluminium	
Hole cut-out dimension	Dia. 9 <sup>3</sup> / <sub>8</sub> " (238mm )	10" (253mm) sq.
Outer frame dimension	Dia. 10 <sup>3</sup> / <sub>4</sub> " (273mm)	11 <sup>1</sup> / <sub>4</sub> " (286mm) sq.
Minimum clamp thickness	3 <sup>3</sup> / <sub>8</sub> " (9.5mm)	
Maximum clamp thickness	1 <sup>1</sup> / <sub>2</sub> " (38mm)	
Weight	4 <sup>1</sup> / <sub>2</sub> lb (2kg) approx.	

## Free Manuals Download Website

<http://myh66.com>

<http://usermanuals.us>

<http://www.somanuals.com>

<http://www.4manuals.cc>

<http://www.manual-lib.com>

<http://www.404manual.com>

<http://www.luxmanual.com>

<http://aubethermostatmanual.com>

Golf course search by state

<http://golfingnear.com>

Email search by domain

<http://emailbydomain.com>

Auto manuals search

<http://auto.somanuals.com>

TV manuals search

<http://tv.somanuals.com>