



INSTALLATION INSTRUCTIONS FOR PART 88-00-3302

APPLICATIONS

**1995-2001 General Motors
Full Size Trucks & SUV's**

88-00-3302



KIT FEATURES

- Kit Replacement Pocket

KIT COMPONENTS

A) Pocket

TOOLS REQUIRED:

Socket Wrench | Flat Blade Screwdriver

A

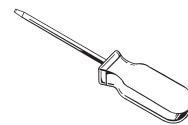
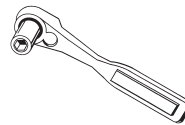
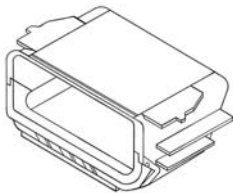


TABLE OF CONTENTS

Dash Disassembly: pg. 1 & pg. 2
Final Assembly: pg. 3



1-800-221-0932

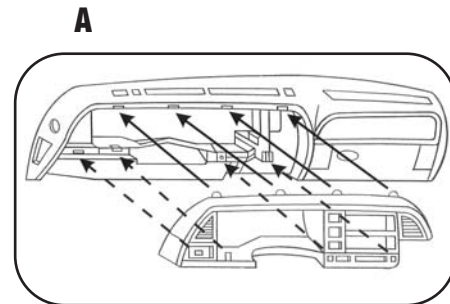


www.metraonline.com

© COPYRIGHT 2004 METRA ELECTRONICS CORPORATION

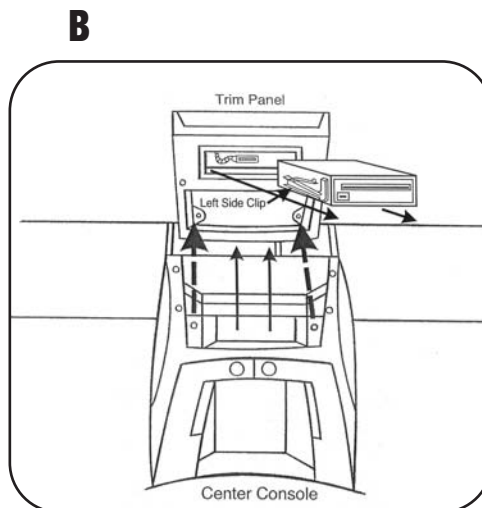
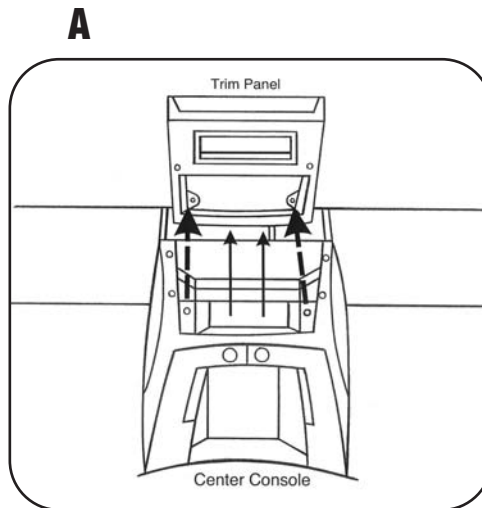
Most vehicles with CD player/cassette player in dash

- 1** Disconnect the negative battery terminal to prevent an accidental short circuit.
- 2** Unclip and remove entire panel surrounding the radio, climate controls and instrument cluster. (Figure A)
- 3** Depress the clips on each side of the unit and slide straight out.



Most vehicles with CD player/cassette player in center console

- 1** Disconnect the negative battery terminal to prevent an accidental short circuit.
- 2** Open door on pocket below CD player and remove (2) 7mm screw. **(Figure A)**
- 3** Unclip and remove entire trim panel surrounding CD player/cassette player and pocket door assembly. **(Figure A)**
- 4** Depress the clips on each side of the unit and slide straight out. **(Figure B)**





88-00-3302

FINAL ASSEMBLY

- 1** Reassemble in reverse order of disassembly using the 88-00-3302 instead of the factory CD player/cassette player.

Free Manuals Download Website

<http://myh66.com>

<http://usermanuals.us>

<http://www.somanuals.com>

<http://www.4manuals.cc>

<http://www.manual-lib.com>

<http://www.404manual.com>

<http://www.luxmanual.com>

<http://aubethermostatmanual.com>

Golf course search by state

<http://golfingnear.com>

Email search by domain

<http://emailbydomain.com>

Auto manuals search

<http://auto.somanuals.com>

TV manuals search

<http://tv.somanuals.com>