



## INSTALLATION INSTRUCTIONS FOR PART 95-5026

### APPLICATIONS

**2001-2004 Ford Mustang**  
**2003-2006 Ford Expedition**  
**2002-2005 Ford Explorer**  
**2003-2006 Lincoln Navigator**  
**2002-2005 Lincoln Aviator**  
**2002-2005 Mercury Mountaineer**

# 95-5026

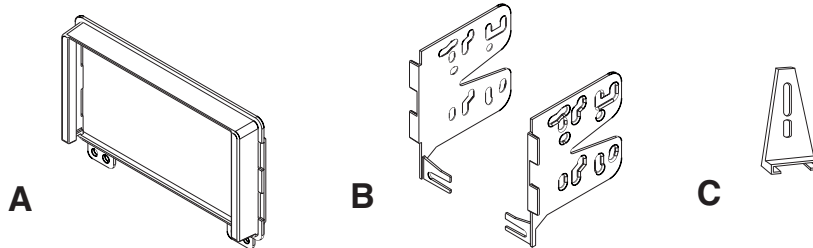


#### KIT FEATURES

- Double DIN head unit provision
- Stacked ISO DIN head unit provision

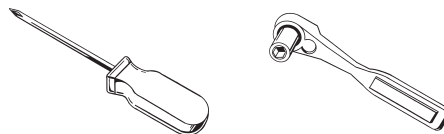
#### KIT COMPONENTS

A) DDIN Trim Plate | B) DDIN Brackets | C) Rear Support Bracket



#### TOOLS REQUIRED:

Phillips Screwdriver | Socket wrench



**1-800-221-0932**



**www.metraonline.com**

© COPYRIGHT 2004 METRA ELECTRONICS CORPORATION



# **TABLE OF CONTENTS**

---

***Dash Disassembly* ..... 1-5**

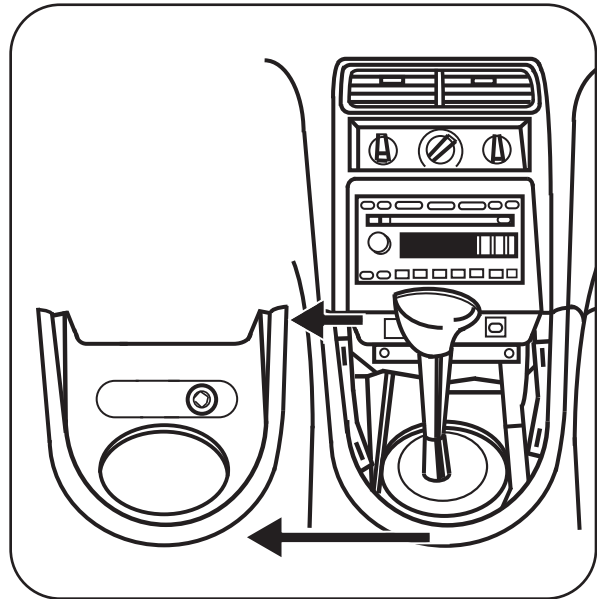
***Kit Assembly* ..... 6-7**

***Final Assembly* ..... 8**

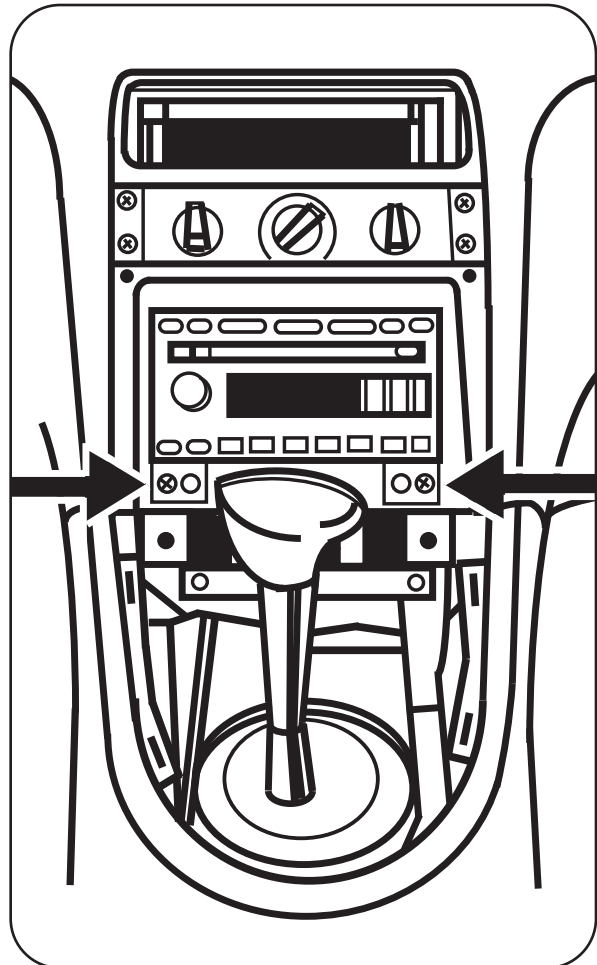
## 2001-2004 FORD MUSTANG

- 1 Disconnect the negative battery terminal to prevent an accidental short circuit.
- 2 Unclip and remove shift lever trim panel. (Figure A)
- 3 Unclip and remove the entire panel surrounding the radio and climate controls including the vents. (Figure B)
- 4 Remove (2) 9/32" screws securing radio. (Figure B)

A

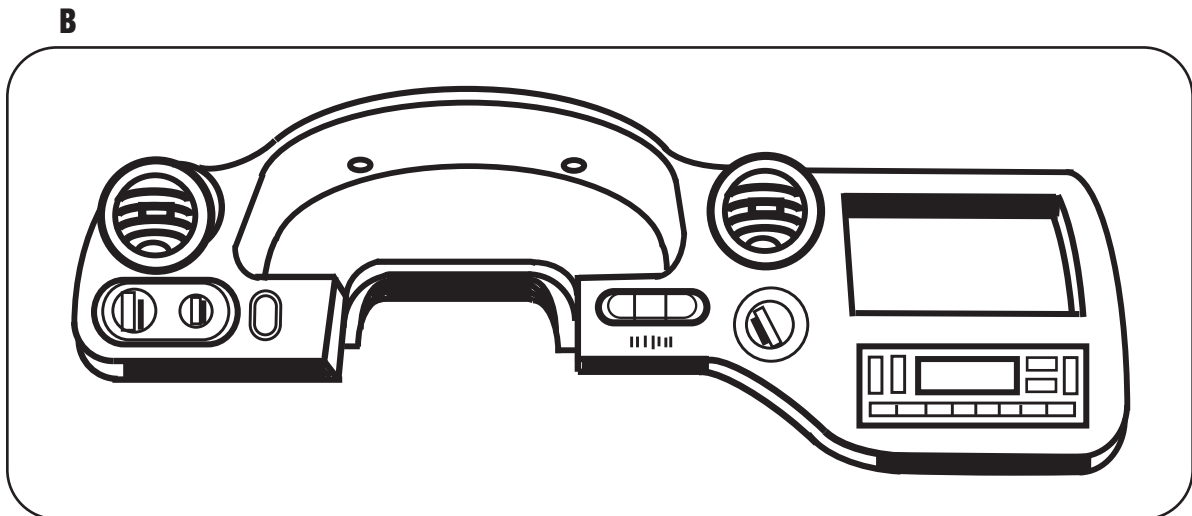
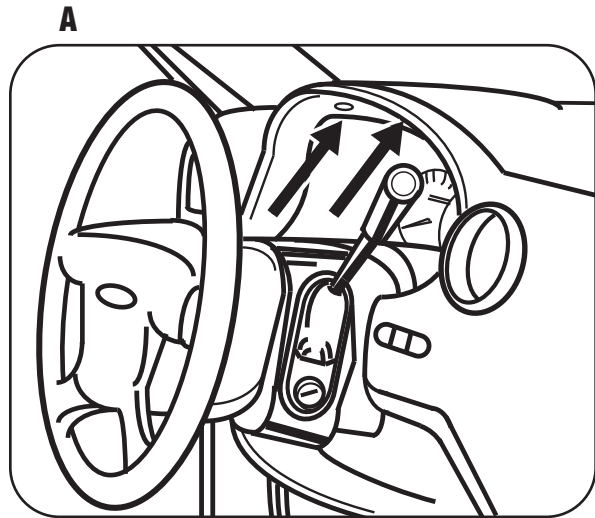


B



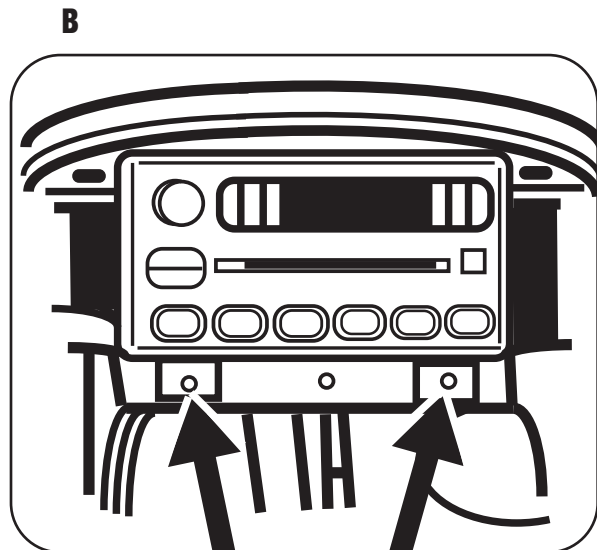
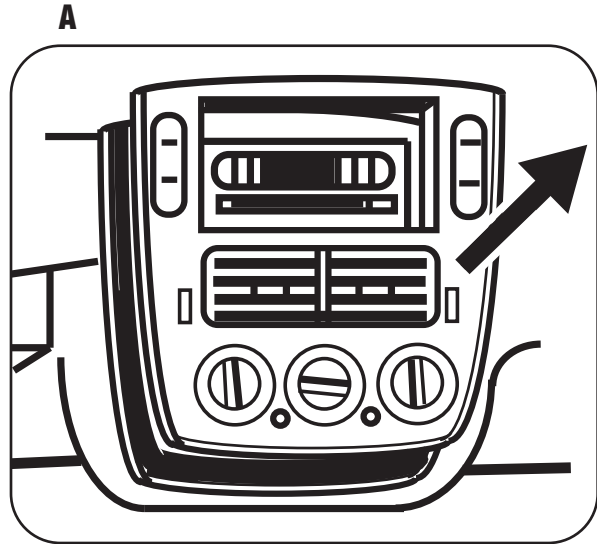
## 2003-2006 FORD EXPEDITION

- 1 Disconnect the negative battery terminal to prevent an accidental short circuit.
- 2 Remove (2) 9/32" screws from above instrument cluster. (Figure A)
- 3 Unclip and remove entire panel surrounding radio, climate controls, and instrument cluster. (Figure B)
- 4 Remove (2) 9/32" screws securing radio.



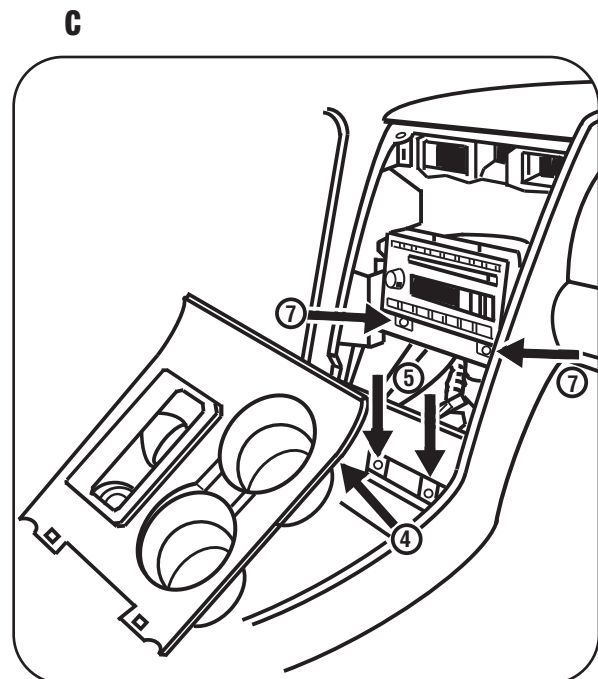
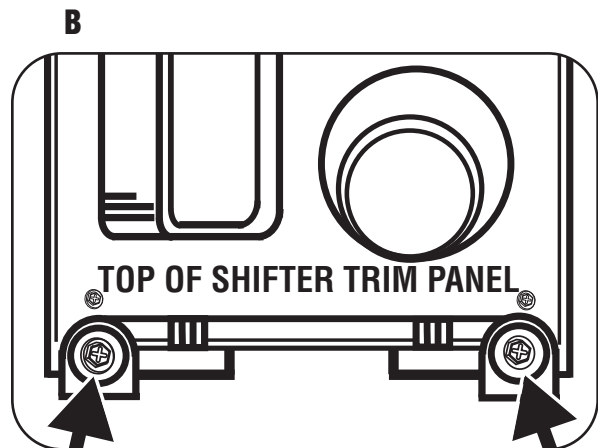
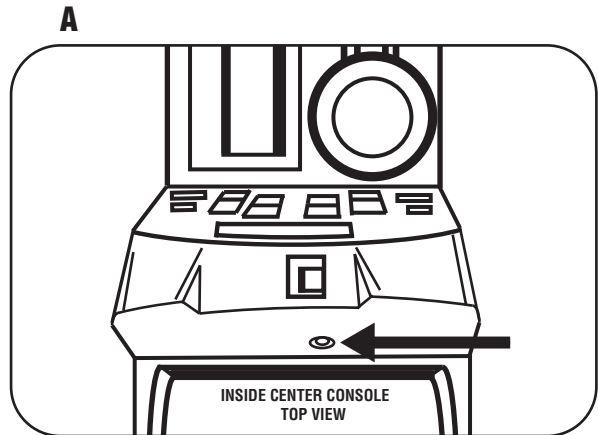
**2002-2005 FORD EXPLORER****2002-2005 MERCURY MOUNTAINEER**

- 1** Disconnect the negative battery terminal to prevent an accidental short circuit.
- 2** Unclip and remove entire panel surrounding radio including climate controls and vents. (Figure A)
- 3** Remove (2) 9/32" screws securing radio. (Figure B)



## 2003-2006 LINCOLN NAVIGATOR

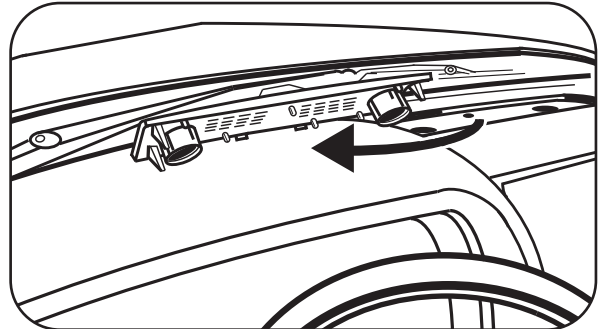
- 1 Disconnect the negative battery terminal to prevent an accidental short circuit.
- 2 Open center console and remove (1) push pin from back of power window switch panel. (Figure A)
- 3 Unclip and remove panel.
- 4 Remove (2) 9/32" screws exposed on shifter panel then unclip and move shifter panel off to side. (Figure B,C)
- 5 Remove (2) 9/32" screws exposed under ashtray assembly. (Figure C)
- 6 Unclip and remove entire panel surrounding climate controls and radio.
- 7 Remove (2) 9/32" screws securing radio. (Figure C)



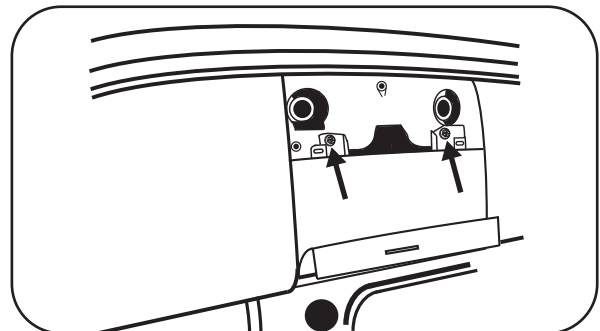
## 2003-2005 LINCOLN AVIATOR

- 1 Disconnect the negative battery terminal to prevent an accidental short circuit.
- 2 Unclip and remove vent panel above radio on top of dashboard. (Figure A)
- 3 Remove (2) 9/32" screws exposed under panel removed in step 1. (Figure B)
- 4 Unclip and remove panel around radio with door in it. (Figure C)
- 5 Unclip and remove vents below radio. (Figure D)
- 6 Remove (2) 9/32" screws securing radio. (Figure E)

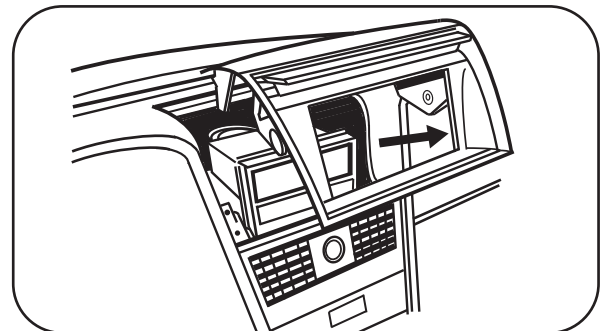
A



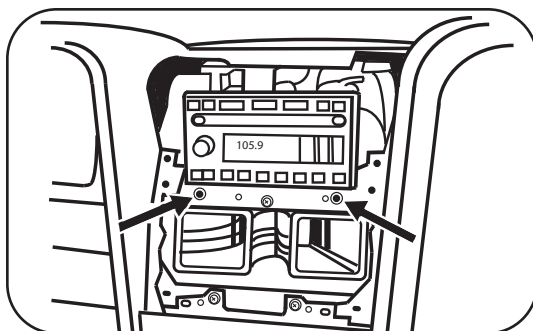
B



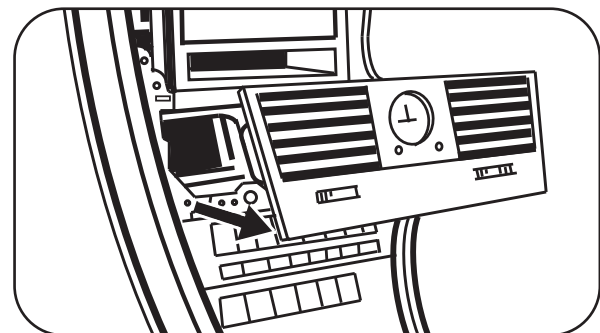
C



E

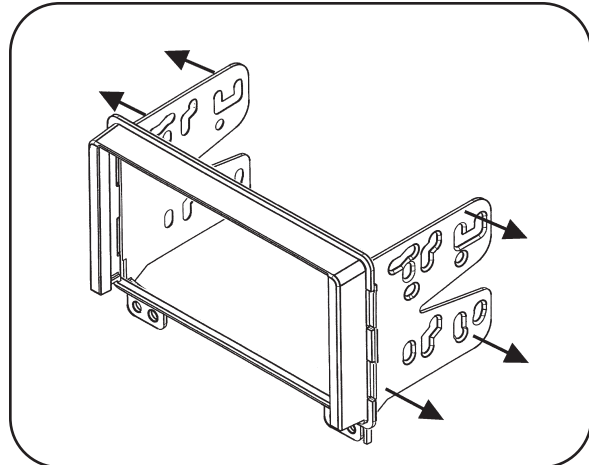
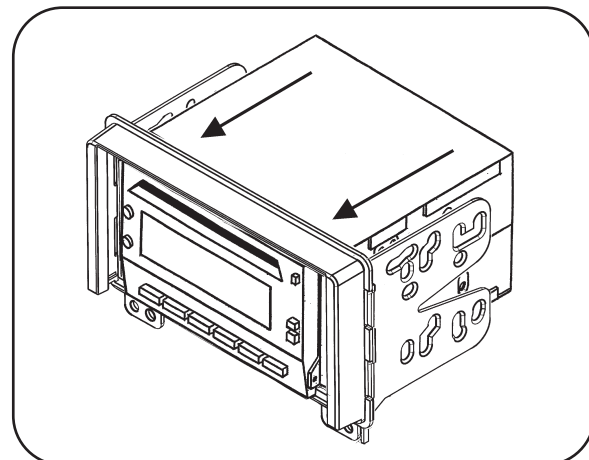
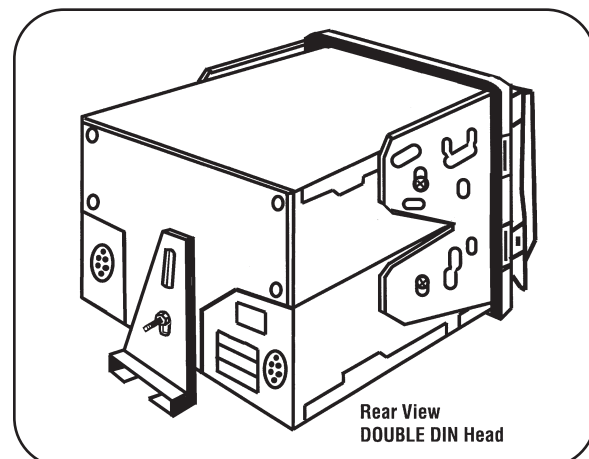


D



## DOUBLE DIN HEAD UNIT PROVISION

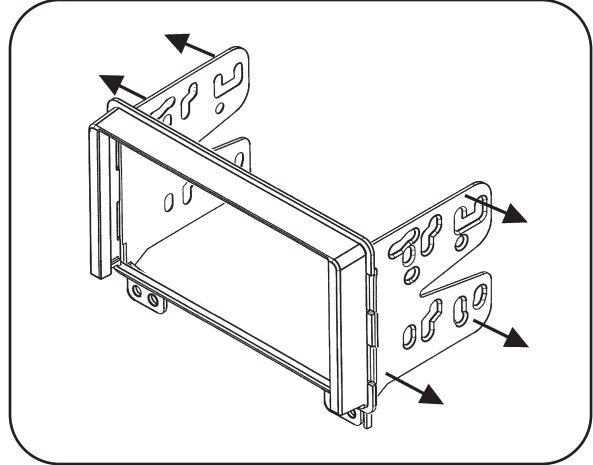
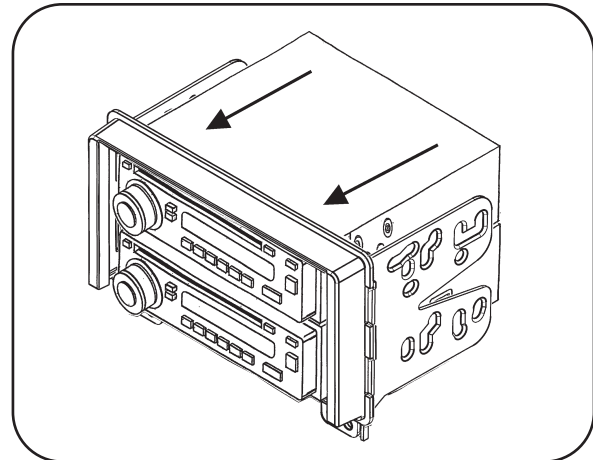
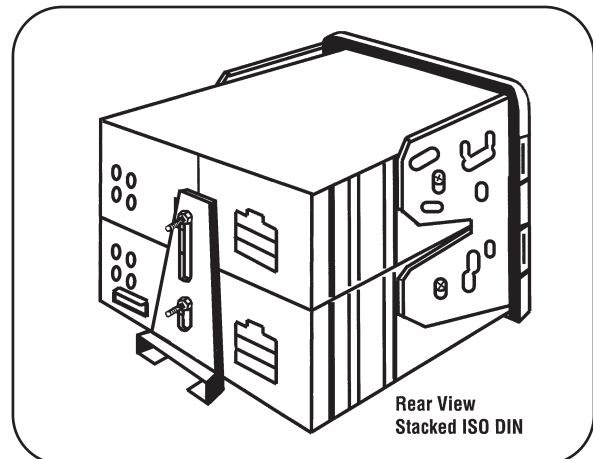
- 1** Slide the appropriate bracket into the trim plate aligning the holes in the trim plate to the clips on the bracket. (Figure A)
- 2** Slide the DDIN radio unit into the trim plate bracket assembly and secure the unit to the kit using the screws supplied with the head unit. (Figure B)
- 3** Position the rear support bracket with slide grooves facing down and secure to the back of the aftermarket radio with the hardware supplied with aftermarket head unit. (Figure C)

**A**

**B**

**C**




## STACKED ISO DIN HEAD UNIT PROVISION

- 1** Slide the appropriate bracket into the trim plate aligning the holes in the trim plate to the clips on the bracket. (Figure A)
- 2** Slide the stacked ISO DIN units into the trim plate bracket assembly and secure the units to the kit using the screws supplied with the head units. (Figure B)
- 3** Position the rear support bracket with slide grooves facing down and secure to the back of the aftermarket radio with the hardware supplied with aftermarket head unit. (Figure C)

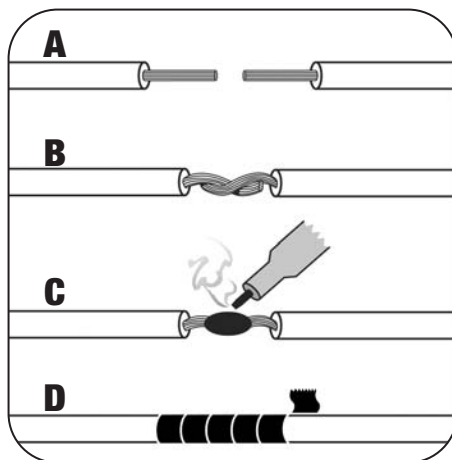
**A**

**B**

**B**


# FINAL ASSEMBLY

- 1** Locate the factory wiring harness in the dash and make the connection as shown. Metra recommends using the proper mating adapter and making the connections as shown. (Isolate and individually tape off the ends of any unused wires to prevent electrical short circuit.)
- 2** Re-connect the negative battery terminal and test the unit for proper operation.
- 3** Reassemble radio and dash assemblies in reverse order of disassembly.

## FINAL WIRING CONNECTIONS

Make wiring connections using the EIA color code chart shown below and the instructions included with the head unit. Metra recommends making connections as shown below; Strip, Splice, Solder, Tape. Isolate and individually tape off ends of any unused wires to prevent electrical short circuit.



- A) Strip wire ends back 1/2"**
- B) Twist ends together**
- C) Solder**
- D) Tape**

## METRA / EIA WIRING CODE

12V Ignition / Acc . . . Red	Right Front (+) . . . . Gray
12V Batt / Memory . . Yellow	Right Front (-) . . . . Gray / Black
Ground . . . . . Black*	Left Front (+) . . . . . White
Power Antenna . . . . Blue	Left Front (-) . . . . . White / Black
Amp Turn-On . . . . . Blue / White	Right Rear (+) . . . . . Violet
Amp Ground . . . . . Black / White	Right Rear (-) . . . . . Violet / Black
Illumination . . . . . Orange	Left Rear (+) . . . . . Green
Dimmer . . . . . Orange / White	Left Rear (-) . . . . . Green / Black

**\*NOTE:** When Black a wire is not present, ground radio to vehicle chassis.  
All colors may not be present on all leads due to manufacturer's specifications.



# 95-5026 INSTRUCTIONS



**1-800-221-0932**



**[www.metraonline.com](http://www.metraonline.com)**

REV. 01/25/06

© COPYRIGHT 2004 METRA ELECTRONICS CORPORATION

INST95-5026

## Free Manuals Download Website

<http://myh66.com>

<http://usermanuals.us>

<http://www.somanuals.com>

<http://www.4manuals.cc>

<http://www.manual-lib.com>

<http://www.404manual.com>

<http://www.luxmanual.com>

<http://aubethermostatmanual.com>

Golf course search by state

<http://golfingnear.com>

Email search by domain

<http://emailbydomain.com>

Auto manuals search

<http://auto.somanuals.com>

TV manuals search

<http://tv.somanuals.com>