



INSTALLATION INSTRUCTIONS FOR PART 95-7323

APPLICATIONS

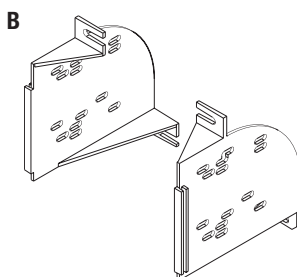
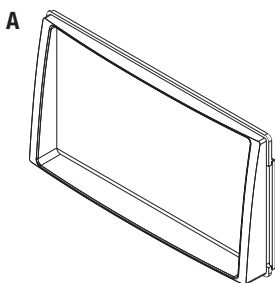
Hyundai Entourage 2007-2008 Kia Sedona 2006-up 95-7323

KIT FEATURES

- Double DIN radio provision
- Stacked ISO units provision

KIT COMPONENTS

- A) • Double DIN Trim Plate B) • Double DIN Brackets



WIRING & ANTENNA CONNECTIONS (Sold Separately)

Wiring Harness:

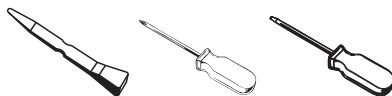
- 70-1004 Hyundai/Kia harness 2004-up

Antenna Adapter:

- Not Required

TOOLS REQUIRED

Panel Removal Tool • Phillips Screwdriver • Small Flat Blade Screwdriver



METRA. THE WORLD'S BEST KITS.™



1-800-221-0932



metraonline.com

© COPYRIGHT 2004-2011 METRA ELECTRONICS CORPORATION

Download from www.Somanuals.com. All Manuals Search And Download.



95-7323

Table of Contents

Dash Disassembly

- Hyundai Entourage 2007-2008
- Kia Sedona 2006-up3

Kit Assembly

- Double DIN radio provision4
- Stacked ISO units head provision5

Caution

Metra recommends disconnecting the negative battery terminal before beginning any installation. All accessories, switches, and especially air bag indicator lights must be plugged in before reconnecting the battery or cycling the ignition.

****NOTE: Refer also to the instructions included with the aftermarket radio.***



KNOWLEDGE IS POWER

Enhance your installation and fabrication skills by enrolling in the most recognized and respected mobile electronics school in our industry. Log onto www.installerinstitute.com or call 800-354-6782 for more information and take steps toward a better tomorrow.

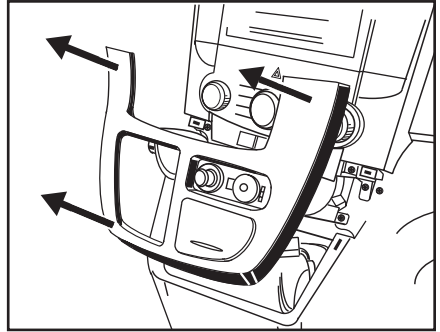


Metra recommends MECP certified technicians

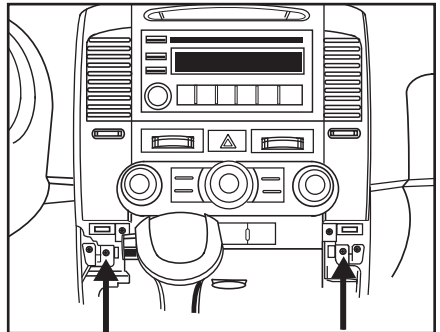
Dash Disassembly

1. Unclip and remove panel surrounding shifter. (Figure A)
2. Remove (2) Phillips screws at bottom corners of panel surrounding radio. (Figure B)
3. Unclip and remove entire panel surrounding radio including the clock and a/c vents. (Figure C)
4. Remove (4) Phillips screws securing radio.
5. Unplug and remove the radio.

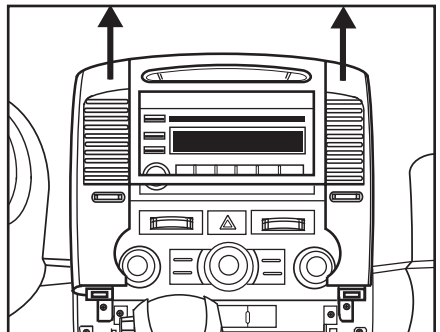
Continue to kit assembly



(Figure A)



(Figure B)



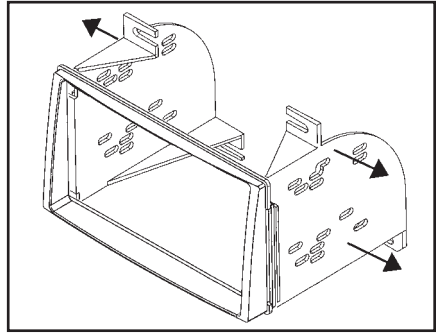
(Figure C)



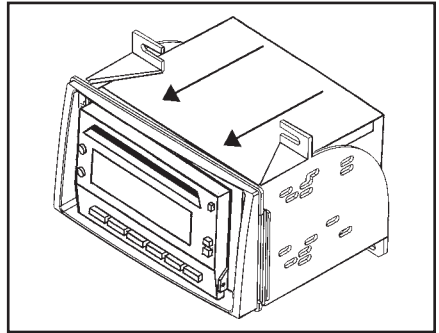
Kit Assembly 95-7323

Double DIN radio provision

1. Locate the factory wiring harness in the dash. Metra recommends using the proper mating adapter from Metra or AXXESS. Re-connect the negative battery terminal and test the unit for proper operation.
2. Snap the Double DIN brackets to the inside edge of the Double DIN trim plate. (Figure A)
3. Slide the Double DIN radio into the bracket/trim plate assembly and secure the radio to the assembly using the screws supplied with the radio. (Figure B)
4. Reassemble dash in reverse order of disassembly.



(Figure A)



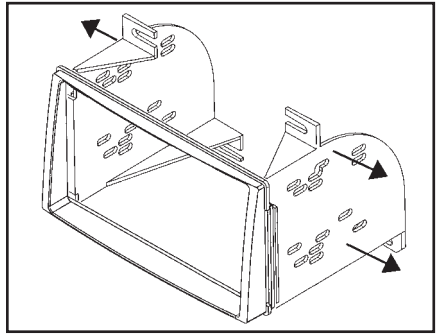
(Figure B)



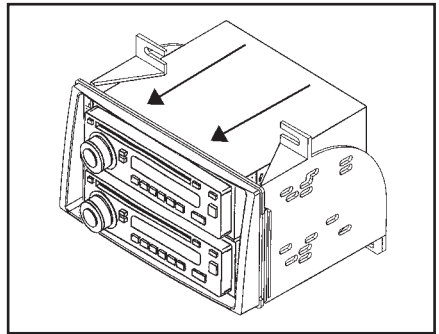
Kit Assembly 95-7323

Stacked ISO units head provision

1. Locate the factory wiring harness in the dash. Metra recommends using the proper mating adapter from Metra or AXXESS. Re-connect the negative battery terminal and test the unit for proper operation.
2. Snap the Double DIN brackets to the inside edge of the Double DIN trim plate. (Figure A)
3. Slide the stacked ISO units into the bracket/radio housing assembly and secure the units to the kit using the screws supplied with the units. (Figure B)
4. Reassemble dash in reverse order of disassembly.



(Figure A)



(Figure B)



INSTALLATION INSTRUCTIONS FOR PART 95-7323

REV. 5/17/11



1-800-221-0932



metraonline.com

© COPYRIGHT 2004-2011 METRA ELECTRONICS CORPORATION

Download from www.Somanuals.com. All Manuals Search And Download.

Free Manuals Download Website

<http://myh66.com>

<http://usermanuals.us>

<http://www.somanuals.com>

<http://www.4manuals.cc>

<http://www.manual-lib.com>

<http://www.404manual.com>

<http://www.luxmanual.com>

<http://aubethermostatmanual.com>

Golf course search by state

<http://golfingnear.com>

Email search by domain

<http://emailbydomain.com>

Auto manuals search

<http://auto.somanuals.com>

TV manuals search

<http://tv.somanuals.com>