



## INSTALLATION INSTRUCTIONS FOR PART 95-8208

### APPLICATIONS

# Toyota Sienna 2004-2010

# 95-8208

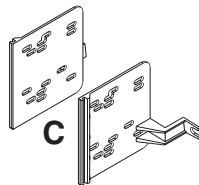
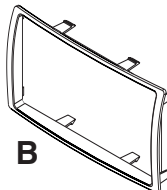
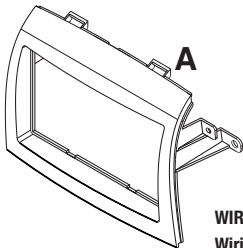


#### KIT FEATURES

- Double DIN Radio Provision
- Stacked ISO Mount Units Provision

#### KIT COMPONENTS

- A) Radio Housing
- B) Double Din Trim Plate
- C) Double DIN Brackets



#### WIRING AND ANTENNA CONNECTIONS (Sold Separately)

##### Wiring Harness:

- 70-1761 - Toyota harness 1987-up
- TYTO-01 - Toyota amp harness 2003-up

##### Antenna Adapter:

- Not required

#### TOOLS REQUIRED:

Small Flat Blade Screwdriver/ Panel Removal Tool

- Socket Set



1-800-221-0932



www.metraonline.com

© COPYRIGHT 2007-2010 METRA ELECTRONICS CORPORATION



**TABLE OF CONTENTS**

**Dash Disassembly**

**- Toyota Sienna 2004-2010 ..... 1**

**Kit Assembly**

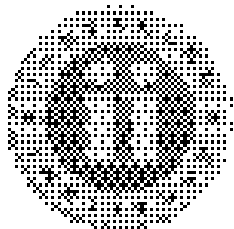
**- Double DIN Radio Provision ... .. 2**

**- Stacked ISO Mount Units Provision ..... 3**

**Final Assembly ..... 4**

**\*Note:**

**Refer also to the instructions included with the aftermarket radio.**



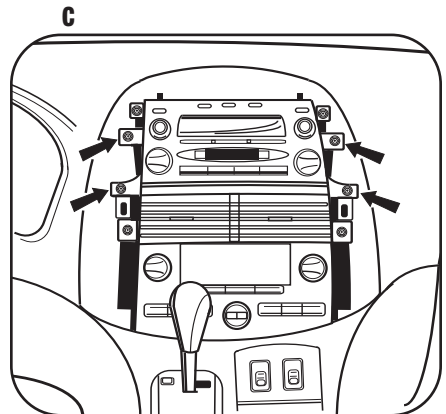
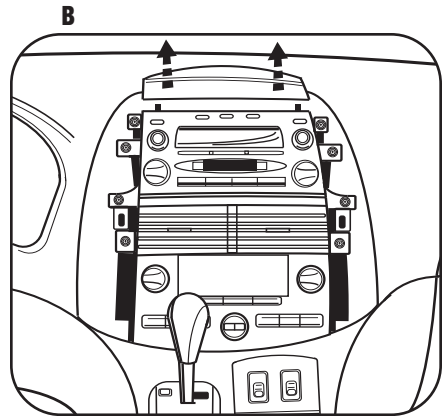
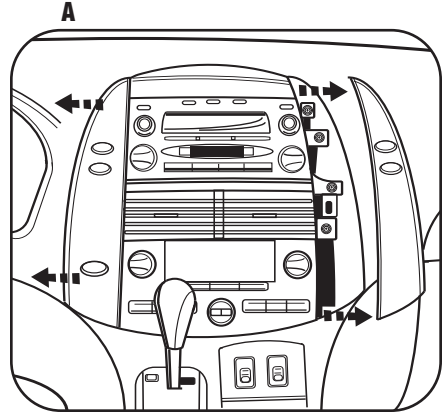
**KNOWLEDGE IS POWER**

Increase your knowledge and satisfaction about your product by consulting the most recognized and respected product information source in our industry. Log onto [www.metradirect.com](http://www.metradirect.com) or call 800-809-8777 for more information and take steps toward a better tomorrow.

## Toyota Sienna 2004-2010

- 1 Disconnect the negative battery terminal to prevent an accidental short circuit.
- 2 Unclip and remove panels from left and right side of radio. (Figure A)
- 3 Unclip and remove panel or speaker cover above radio. (Figure B)
- 4 Remove (4) 10 MM bolts securing the radio. Unplug and remove the radio. (Figure C)

*Continue to final assembly.*

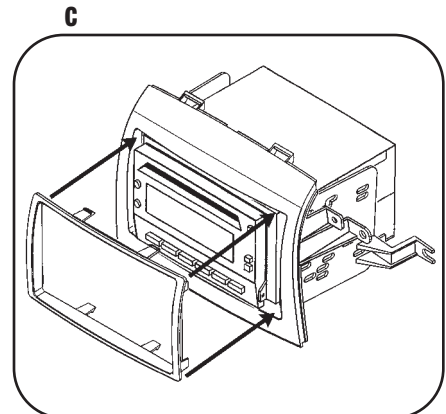
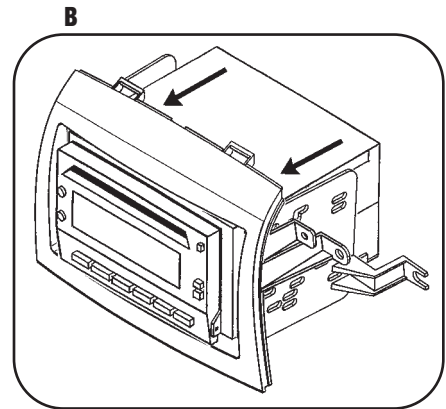
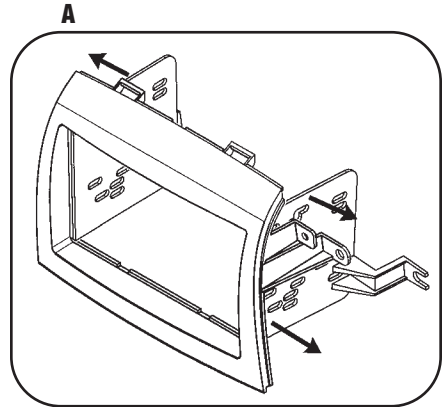


## DOUBLE DIN RADIO PROVISION

*\*Note: Refer also to the instructions included with the aftermarket radio.*

- 1 Snap the Double DIN brackets to the inside edge of the radio housing. (Figure A)
- 2 Slide the Double DIN radio into the bracket/housing assembly and secure the radio to the assembly using the screws supplied with the radio. (Figure B)
- 3 Snap the Double DIN Trim plate into the Radio Housing. (Figure C)

*Continue to final assembly.*



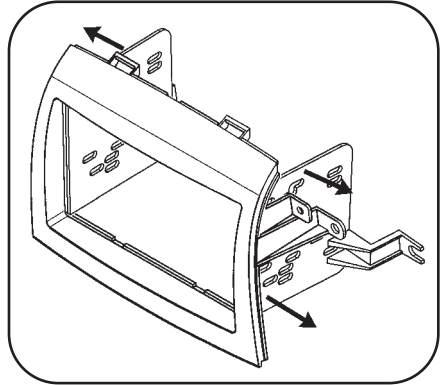
## STACKED ISO UNITS PROVISION

*\*Note: Refer also to the instructions included with the aftermarket radio.*

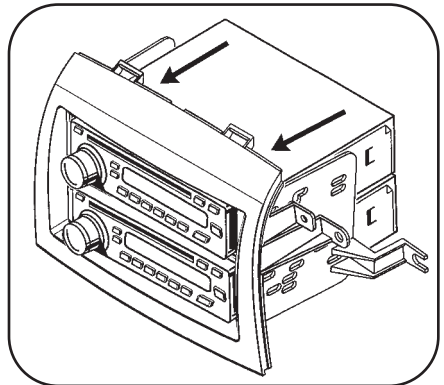
- 1 Snap the Double DIN brackets to the inside edge of the radio housing. (Figure A)
- 2 Slide the stacked ISO units into the bracket/housing assembly and secure the units to the assembly using the screws supplied with the units. (Figure B)
- 3 Snap the Double DIN Trim plate into the Radio Housing. (Figure C)

*Continue to final assembly.*

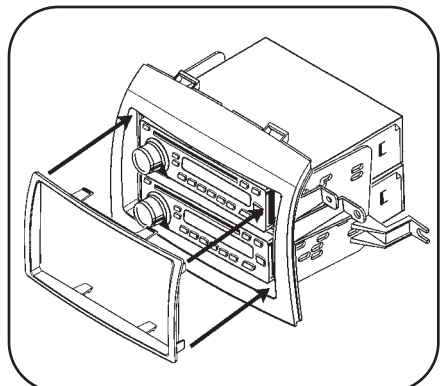
**A**



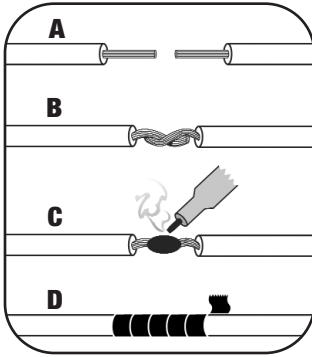
**B**



**C**



# FINAL ASSEMBLY



- (A) Strip wire ends back 1/2"**
- B) Twist ends together**
- C) Solder**
- D) Tape**

- 1** Locate the factory wiring harness in the dash. Metra recommends using the proper mating adapter and making connections as shown. (Isolate and individually tape off the ends of any unused wires to prevent electrical short circuit.)
- 2** Re-connect the negative battery terminal and test the unit for proper operation.
- 3** Reassemble radio and dash assemblies in reverse order of disassembly.

## FINAL WIRING CONNECTIONS

Make wiring connections using the EIA color code chart shown below and the instructions included with the head unit. Metra recommends making connections as shown below; Strip, Splice, Solder, Tape. Isolate and individually tape off ends of any unused wires to prevent electrical short circuit.

### METRA / EIA WIRING CODE

12V Ignition / Acc. . . . . Red	Right Front (+) . . . . . Gray
12V Batt / Memory. . . . . Yellow	Right Front (-). . . . . Gray/ Black
Ground. . . . . Black*	Left Front (+) . . . . . White
Power Antenna. . . . . Blue	Left Front (-). . . . . White / Black
Amp Turn-On . . . . . Blue / White	Right Rear (+) . . . . . Violet
Amp Ground. . . . . Black / White	Right Rear (-). . . . . Violet / Black
Illumination . . . . . Orange	Left Rear (+) . . . . . Green
Dimmer . . . . . Orange / White	Left Rear (-). . . . . Green / Black

**\*NOTE:** When a Black wire is not present, ground radio to vehicle chassis.  
All colors may not be present on all leads due to manufacturer's specifications.



# 95-8208 INSTRUCTIONS



**1-800-221-0932**



**[www.metraonline.com](http://www.metraonline.com)**

REV. 04/27/10 © COPYRIGHT 2004-2010 METRA ELECTRONICS CORPORATION INST95-8208



## Free Manuals Download Website

<http://myh66.com>

<http://usermanuals.us>

<http://www.somanuals.com>

<http://www.4manuals.cc>

<http://www.manual-lib.com>

<http://www.404manual.com>

<http://www.luxmanual.com>

<http://aubethermostatmanual.com>

Golf course search by state

<http://golfingnear.com>

Email search by domain

<http://emailbydomain.com>

Auto manuals search

<http://auto.somanuals.com>

TV manuals search

<http://tv.somanuals.com>