



INSTALLATION INSTRUCTIONS FOR PART 98-7499

Applications

**NISSAN MODELS WITH
STACKED-DIN SYSTEMS
(EXCLUDING QUEST)**

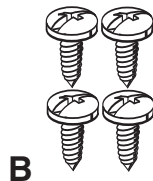
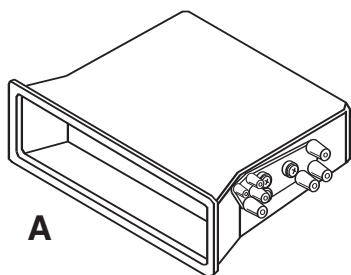
**98-7499
INSTALLATION
INSTRUCTIONS**

KIT FEATURES

- Holds Three CD Jewel Cases

KIT COMPONENTS

- A) Pocket • B) (4) #8 X 1/4" Phillip Screws



INSTALLATION INSTRUCTIONS FOR PART 98-7499

Applications

**NISSAN MODELS WITH
STACKED-DIN SYSTEMS
(EXCLUDING QUEST)**

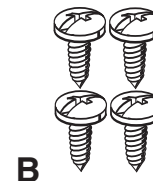
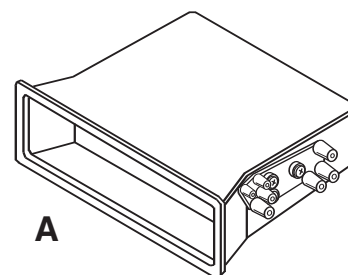
**98-7499
INSTALLATION
INSTRUCTIONS**

KIT FEATURES

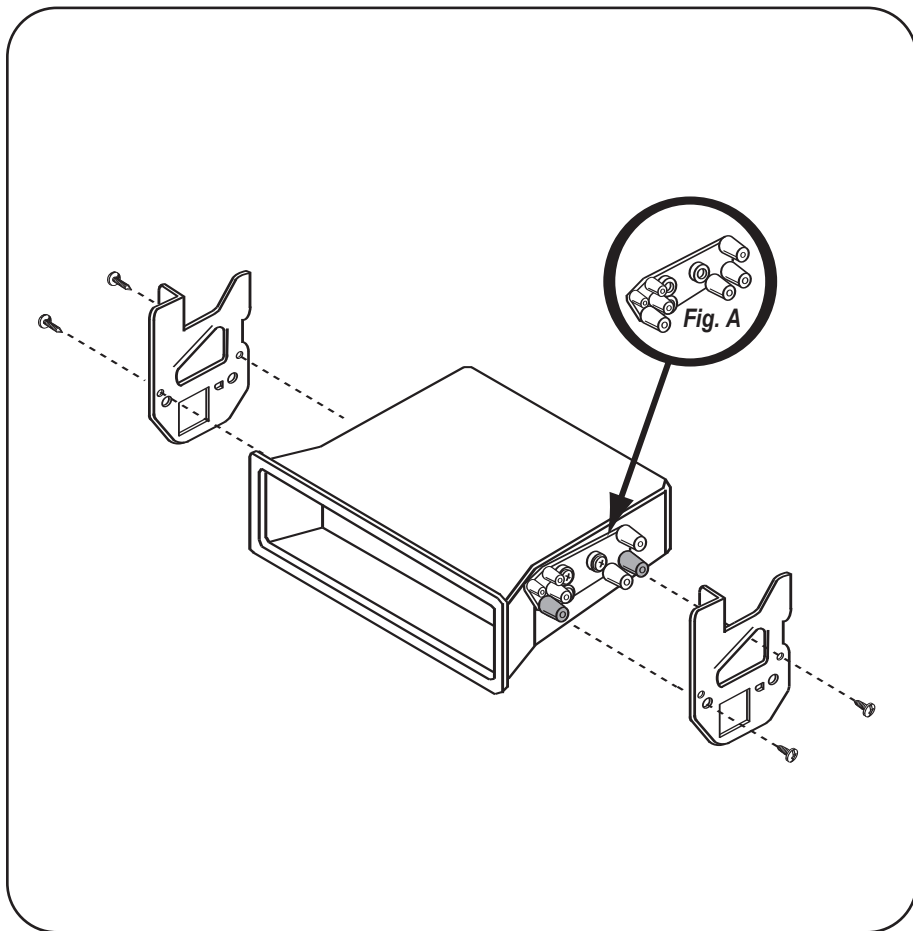
- Holds Three CD Jewel Cases

KIT COMPONENTS

- A) Pocket • B) (4) #8 X 1/4" Phillip Screws

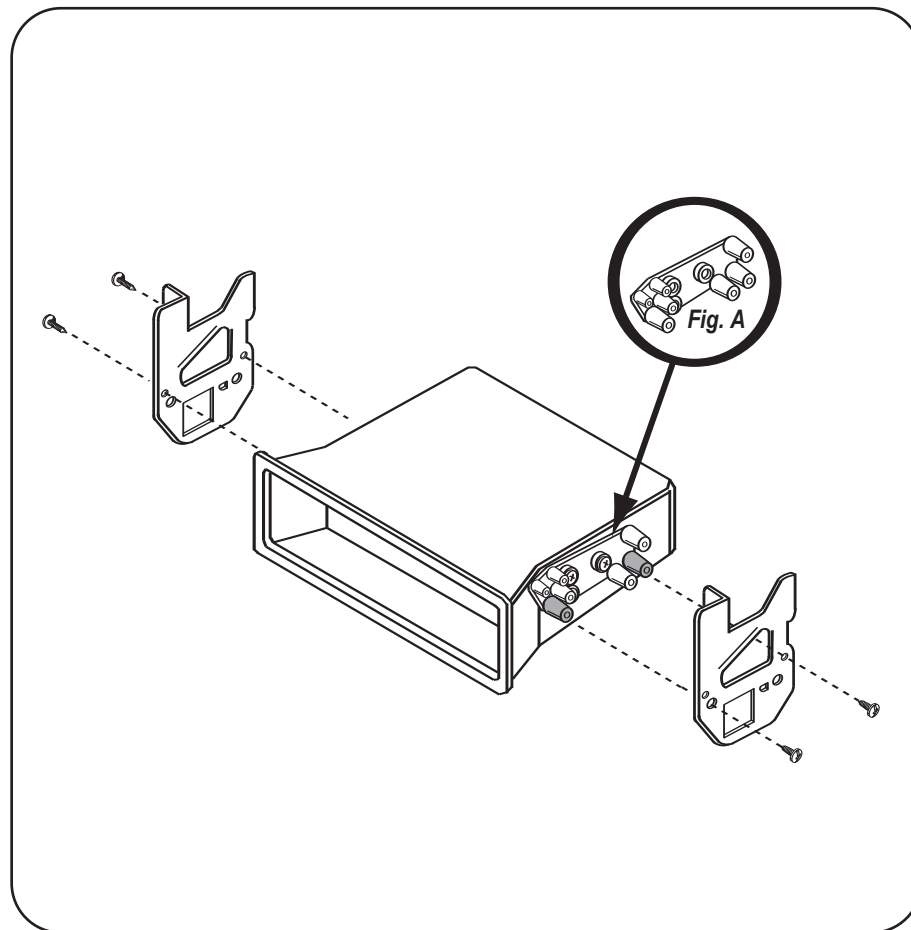


ALL VEHICLES



Mount the factory brackets to the *shaded bosses* (Fig A) with (4) #8 x 1/4" Phillip screws supplied and mount the entire assembly to the sub-dash.

ALL VEHICLES



Mount the factory brackets to the *shaded bosses* (Fig A) with (4) #8 x 1/4" Phillip screws supplied and mount the entire assembly to the sub-dash.



KNOWLEDGE IS POWER

Enhance your installation and fabrication skills by enrolling in the most recognized and respected mobile electronics school in our industry.
Log onto www.installerinstitute.com or call 800-354-6782 for more information and take steps toward a better tomorrow.



KNOWLEDGE IS POWER

Enhance your installation and fabrication skills by enrolling in the most recognized and respected mobile electronics school in our industry.
Log onto www.installerinstitute.com or call 800-354-6782 for more information and take steps toward a better tomorrow.

Free Manuals Download Website

<http://myh66.com>

<http://usermanuals.us>

<http://www.somanuals.com>

<http://www.4manuals.cc>

<http://www.manual-lib.com>

<http://www.404manual.com>

<http://www.luxmanual.com>

<http://aubethermostatmanual.com>

Golf course search by state

<http://golfingnear.com>

Email search by domain

<http://emailbydomain.com>

Auto manuals search

<http://auto.somanuals.com>

TV manuals search

<http://tv.somanuals.com>