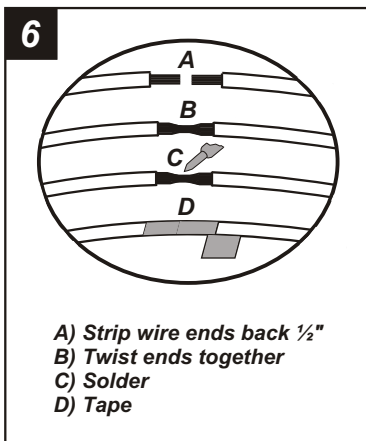
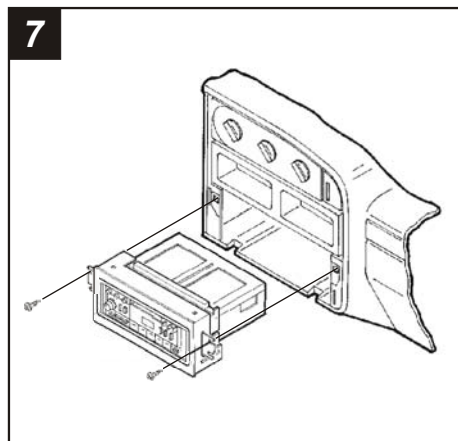


2-SHAFT HEAD UNITS: Slide the aftermarket head unit into the kit and secure with shaft nuts. (see Fig. A)

DIN HEAD UNITS: Cut and remove the shaft supports from the *Extension Housing*. Slide the DIN cage into the kit and secure by bending the metal locking tabs down. Slide the aftermarket head unit into the cage until secure. (see Fig. B)



Locate the factory wiring harness in the dash. Metra recommends using the proper mating adaptor and making connections as shown. (Isolate and individually tape off the ends of any unused wires to prevent electrical short circuit).

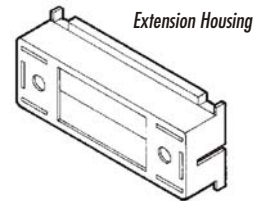
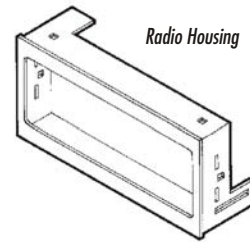


Re-connect the battery terminal and test the unit for proper operation. Mount the head unit/kit assembly to the sub-dash with those screws previously removed.

KIT FEATURES

- Various mounting depth alternatives

KIT COMPONENTS



TOOLS REQUIRED



99-4700 INSTALLATION INSTRUCTIONS

APPLICATIONS

**GENERAL MOTORS 1982-02
VEHICLES EQUIPPED WITH J-2000 PANEL-STYLE
FACTORY HEAD UNIT PROVISIONS
(SEE INSIDE FOR SPECIFIC APPLICATIONS)**



APPLICATIONS

BUICK

Century 1982-96*
Electra 1984-94*
Estate wagon 1984-94*
LeSabre 1984-94*
Park Ave. 1984-94*
Reatta 1990-91*
Regal 1984-87*
Riviera 1983-85*
Riviera 1990-95*
Roadmaster 1991-94*
Skyhawk 1982-89*
Skylark 1983-85*
Skylark 1987-89*
Skylark 1990-95*

CADILLAC

Cimarron 1982-88*
DeVille 1985-93*
Eldorado 1984-91*
Escalade 1999-02
Fleetwood 1985-93*
Seville 1984-91*

CHEVROLET

Astro 1985-89*
Astro 1990-95*
Astro 1996-02
Beretta 1991-96*
Blazer (full) 1989-91*
Blazer 1998-02
Camaro 1982-84*
Camaro 1985-92*

CHEVROLET (cont.)

Camaro 1997-99
Caprice 1991-93*
Caprice 1994-96
Cavalier 1982-90*
Cavalier 1991-94*
Cavalier 1995-99
Celebrity 1982-83*
Celebrity 1984-87*
Citation II 1985*
Corsica 1991-96*
Corvette 1984-89*
Corvette 1997-02
El Camino 1985-88*
Express 1996-00
Impala SS 1994-96

Lumina 1990-94*
Lumina 1995-99
Lumina APV 1990-95*
Lumina APV 1996*
Malibu 1997-99
Monte Carlo 1985-88*
Monte Carlo 1995-99
Nova 1985-88*
Pickup 1995-02
S10 Blazer 1982-85*
S10 Blazer 1986-94*
S10 Pickup 1982-85*
S10 Pickup 1986-93*
S10 Pickup 1998-02
Silverado 1999-02

CHEVROLET (cont.)

Suburban 1989-91*
Suburban 1995-02
Tahoe 1995-02
Van (full) 1988-95*
Venture 1997-99

GMC

Jimmy (full) 1989-91*
Jimmy 1998-02
S15 Jimmy 1982-85*
S15 Jimmy 1986-94*
S15 Pickup 1982-85*
S15 Pickup 1986-93*
Safari 1985-89*
Safari 1990-95*
Safari 1996-02
Savana 1996-00
Sierra 1995-02
Sonoma 1998-02
Suburban 1989-91*
Suburban 1995-99
Van (full) 1988-95*
Yukon 1995-02

OLDSMOBILE

Achieva 1992-95*
Bravada 1991-94*
Cutlass Calais 1984-91*
Cutlass Ciera 1982-96*
Cutlass Supr. 1984-88*
Delta 88 1986-88*
Firenza 1982-89*

OLDSMOBILE (cont.)

Ninety Eight 1984-90*
Omega 1983-84*
Silhouette 1990-95*
Silhouette 1996*
Silhouette 1997-99
Toronado 1982-85*

PONTIAC

6000 1982-91*
Bonneville 1982-86*
Bonneville 1987-93*
Bonneville 1994-99
Fiero 1984-88*
Firebird 1982-84*
Firebird 1985-92*
Firebird 1993-02
Grand Am 1985-91*
Grand Am 1992-95*
Grand Am 1996-98
Grand Am 1999-00
Grand Prix 1985-87*
Grand Prix 1990-93*
Grand Prix 1994-96
Grand Prix 1997-00

Montana 1999

Sunbird J-2000 1982-88*

Sunfire 1995-99

TransSport 1990-95*

TransSport 1996*

TranSport 1997-98

TransSport 1997-00

TransSport 1997-00

TransSport 1997-00

TransSport 1997-00

TransSport 1997-00

TransSport 1997-00

TransSport 1997-00

TransSport 1997-00

TransSport 1997-00

TransSport 1997-00

TransSport 1997-00

TransSport 1997-00

TransSport 1997-00

TransSport 1997-00

TransSport 1997-00

TransSport 1997-00

TransSport 1997-00

TransSport 1997-00

TransSport 1997-00

TransSport 1997-00

TransSport 1997-00

TransSport 1997-00

TransSport 1997-00

TransSport 1997-00

TransSport 1997-00

TransSport 1997-00

TransSport 1997-00

TransSport 1997-00

TransSport 1997-00

TransSport 1997-00

TransSport 1997-00

TransSport 1997-00

TransSport 1997-00

TransSport 1997-00

TransSport 1997-00

TransSport 1997-00

TransSport 1997-00

TransSport 1997-00

TransSport 1997-00

TransSport 1997-00

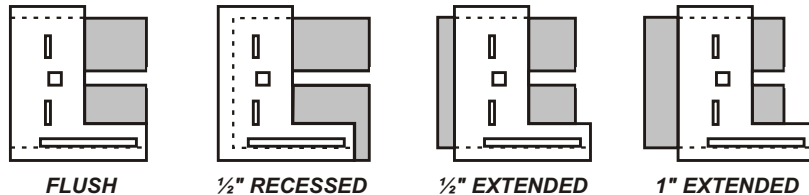
* THE FACTORY MOUNTING BRACKET(S) MUST BE RETAINED AND USED WITH THIS VEHICLE.



Metra's 99-4700 is designed to offer the installer a great number of mounting depth alternatives. The kit will create 1/2" RECESSED, FLUSH, 1/2" EXTENDED and 1" EXTENDED applications (as shown below) as well as an infinite number of depth provisions between these locations.

ALL VEHICLES

1

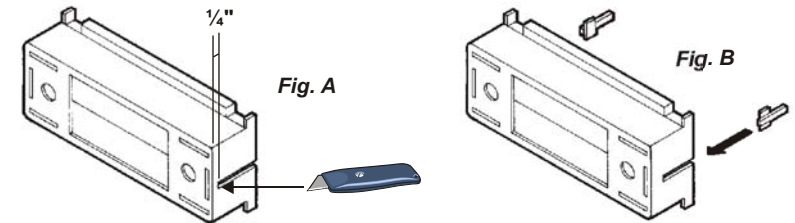


Please call Metra's Technical Support line for individual dash disassemblies.

Using the side view diagrams above, choose the desired mounting depth and refer to step #2.

1

2

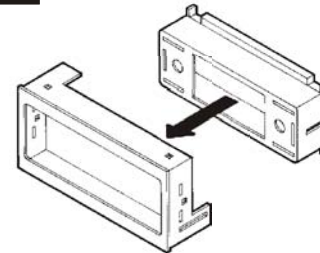


FLUSH, 1/2" EXTENDED APPLICATIONS: Skip to step #3.

1/2" RECESSED APPLICATIONS: Extend the slots on the sides of the **Extension Housing** by cutting the slot opening to 1/4" from the face of the Housing. (see Fig. A)

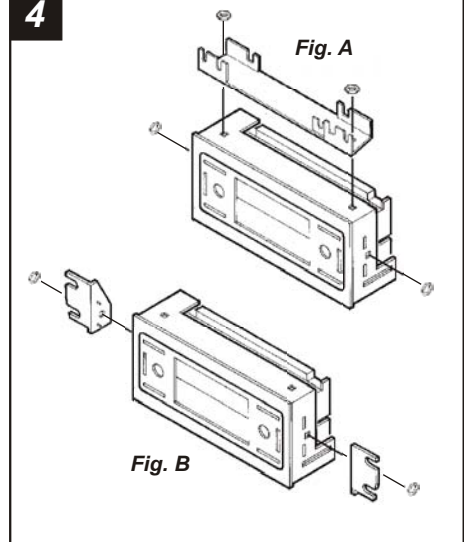
1" EXTENDED APPLICATIONS: Slide the **Spacers** into the slots on the sides of the **Extension Housing**. (see Fig. B)

3



Slide the **Extension Housing** into the **Radio Housing** until the desired depth has been established.

4



TOP AND/OR BOTTOM MOUNTING BRACKETS: Mount the **Extension Housing** to the **Radio Housing** with (2) **Carriage Bolts** and (2) **Keps Nuts**. Mount the bracket(s) to the housing assembly with **Carriage Bolts** and **Keps Nuts** supplied. (see Fig. A)

SIDE MOUNTING BRACKETS: Mount the brackets to the housing assembly through the side holes with (2) **Carriage Bolts** and (2) **Keps Nuts** supplied. (see Fig. B)

2

Free Manuals Download Website

<http://myh66.com>

<http://usermanuals.us>

<http://www.somanuals.com>

<http://www.4manuals.cc>

<http://www.manual-lib.com>

<http://www.404manual.com>

<http://www.luxmanual.com>

<http://aubethermostatmanual.com>

Golf course search by state

<http://golfingnear.com>

Email search by domain

<http://emailbydomain.com>

Auto manuals search

<http://auto.somanuals.com>

TV manuals search

<http://tv.somanuals.com>