



INSTALLATION INSTRUCTIONS FOR PART 99-6506

APPLICATIONS

Chrysler Pacifica 2004-2008

99-6506

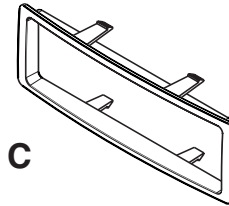
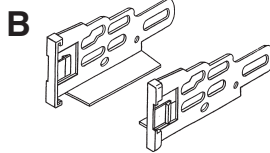
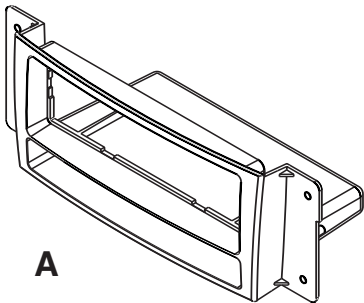


KIT FEATURES

- DIN Head unit provision with pocket
- ISO DIN Head unit provision with pocket

KIT COMPONENTS

A) Radio Housing • B) ISO Brackets • C) Trim Plate



WIRING AND ANTENNA CONNECTIONS (Sold Separately)

Wire harnesses:

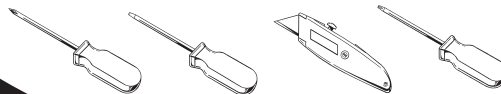
- CHT0-02 Chrysler/Dodge amplified interface 2002-up
- 70-6506 Chrysler/Dodge amplified bypass harness 2002-up

Antenna adapter:

- 40-CR10 - Chrysler/Dodge antenna adapter 2002-up

TOOLS REQUIRED:

Phillips Screwdriver • Small Flat Blade Screwdriver • Cutting Tool • T-15 Torx Driver



1-800-221-0932



www.metraonline.com

© COPYRIGHT 2004-2009 METRA ELECTRONICS CORPORATION

TABLE OF CONTENTS

Dash Disassembly

***Chrysler Pacifica 2004-2008* 1**

Kit Assembly

***Din Head Unit Provision*..... 2**

***ISO Din Head Unit Provision*..... 3**

Final Assembly 4



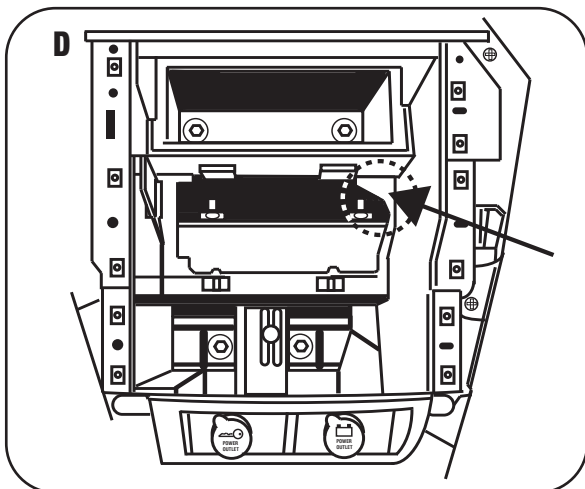
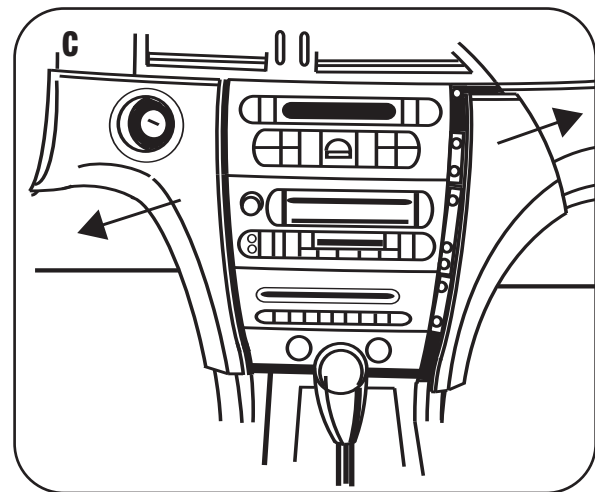
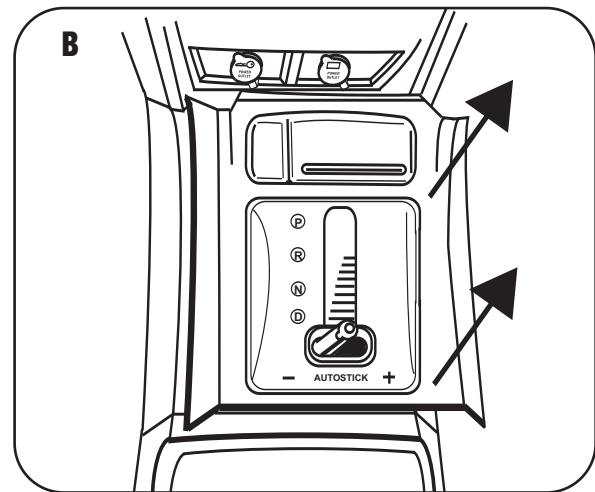
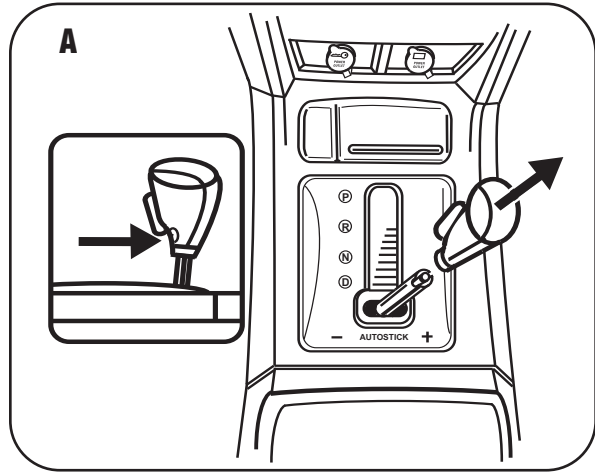
KNOWLEDGE IS POWER

Enhance your installation and fabrication skills by enrolling in the most recognized and respected mobile electronics school in our industry. Log onto www.installerinstitute.com or call 800-354-6782 for more information and take steps toward a better tomorrow.

CHRYSLER PACIFICA 2004-2008

- 1 Disconnect the negative battery terminal to prevent an accidental short circuit.
- 2 Loosen (1) T-15 Torx screw from the front side of shift knob and pull up to remove. (Figure A)
NOTE: For models equipped with no release lever on shift knob just turn counter-clockwise to remove.
- 3 Unsnap floor console trim around the shifter. Unplug harness to console trim and remove trim. (Figure B)
- 4 Unsnap and remove ignition key trimring.
- 5 Unsnap and remove the dash trim panels from each side of the Radio/Climate Controls. (Figure C)
- 6 Remove (4) Phillips screws to remove radio.

Note: When DIN mounting a radio a piece of plastic in the dash cavity may have to be removed for radio depth clearance (Figure D).

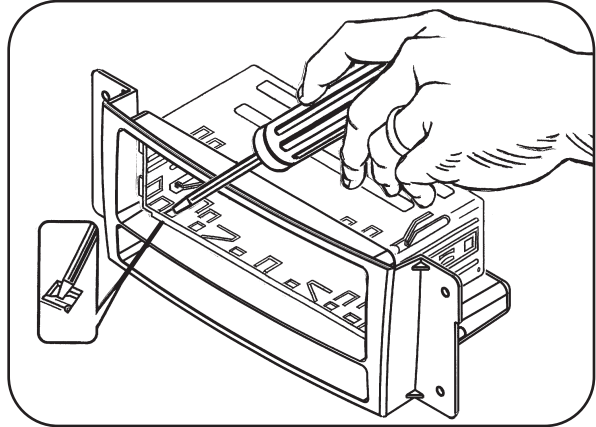


DIN HEAD UNIT PROVISION

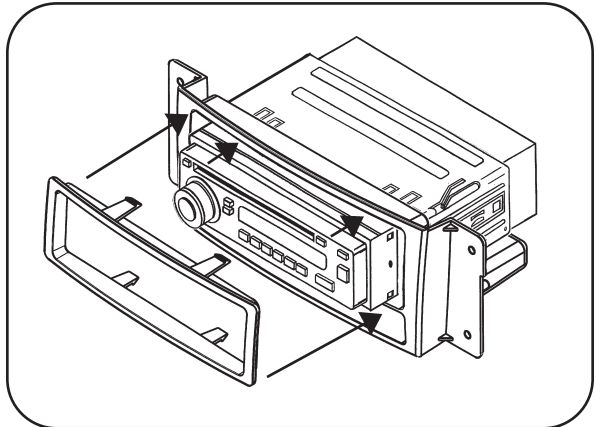
- 1 Slide the DIN cage into the Radio Housing and secure by bending the metal locking tabs outward. (Figure A)
- 2 Slide the aftermarket head unit into the cage and secure. Snap the Trimplate into the Radio Housing. (Figure B)

Note: When DIN mounting a radio a piece of plastic in the dash cavity may have to be removed for radio depth clearance. (Figure C)

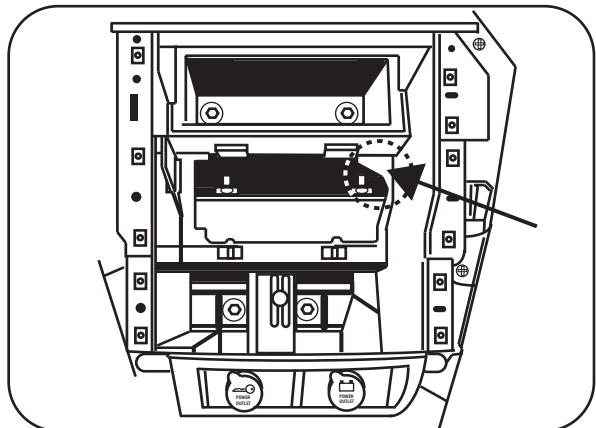
A



B

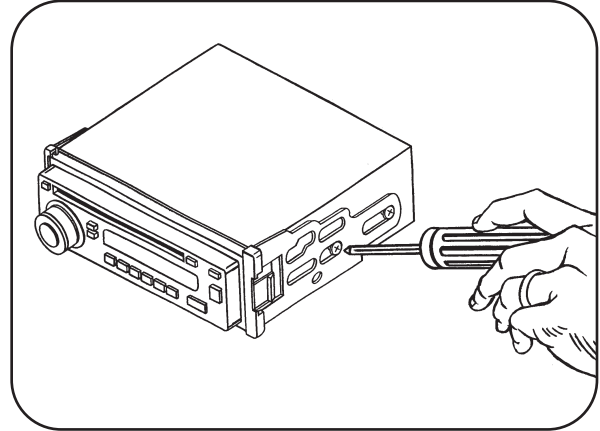
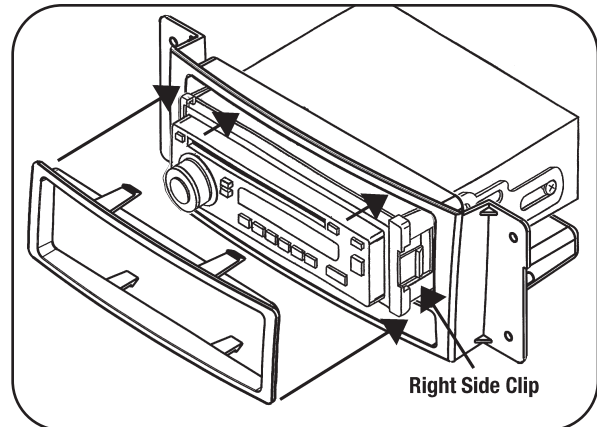


C



ISO DIN HEAD UNIT PROVISION

- 1** Mount the ISO Brackets to the head unit with the screws supplied with the unit. (Figure A)
- 2** Slide the head unit into the radio opening until the side clips engage. Snap the Trim Plate into the Radio Housing. (Figure B)

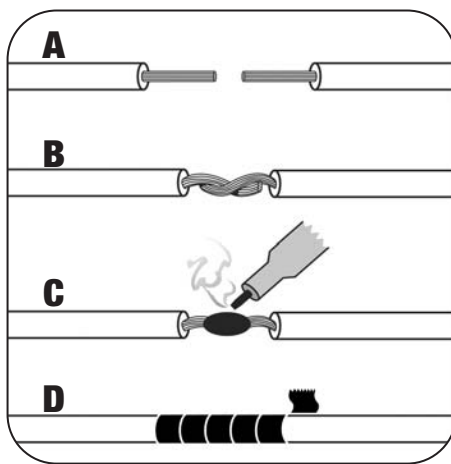
A**B**

FINAL ASSEMBLY

- 1 Locate the factory wiring harness in the dash and make the connection as shown. Metra recommends using the proper mating adapter and making the connections as shown. (Isolate and individually tape off the ends of any unused wires to prevent electrical short circuit.)
- 2 Re-connect the negative battery terminal and test the unit for proper operation.
- 3 Reassemble radio and dash assemblies in reverse order of disassembly.

FINAL WIRING CONNECTIONS

Make wiring connections using the EIA color code chart shown below and the instructions included with the head unit. Metra recommends making connections as shown below; Strip, Splice, Solder, Tape. Isolate and individually tape off ends of any unused wires to prevent electrical short circuit.



- A) Strip wire ends back 1/2"**
- B) Twist ends together**
- C) Solder**
- D) Tape**

METRA / EIA WIRING CODE

12V Ignition / Acc . . . Red	Right Front (+) Gray
12V Batt / Memory . . Yellow	Right Front (-) Gray / Black
Ground Black*	Left Front (+) White
Power Antenna Blue	Left Front (-) White / Black
Amp Turn-On Blue / White	Right Rear (+) Violet
Amp Ground Black / White	Right Rear (-) Violet / Black
Illumination Orange	Left Rear (+) Green
Dimmer Orange / White	Left Rear (-) Green / Black

***NOTE:** When Black a wire is not present, ground radio to vehicle chassis.

All colors may not be present on all leads due to manufacturer's specifications.

99-6506 INSTRUCTIONS



1-800-221-0932



www.metraonline.com

REV. 04/20/09

© COPYRIGHT 2004-2009 METRA ELECTRONICS CORPORATION

INST99-6506

Free Manuals Download Website

<http://myh66.com>

<http://usermanuals.us>

<http://www.somanuals.com>

<http://www.4manuals.cc>

<http://www.manual-lib.com>

<http://www.404manual.com>

<http://www.luxmanual.com>

<http://aubethermostatmanual.com>

Golf course search by state

<http://golfingnear.com>

Email search by domain

<http://emailbydomain.com>

Auto manuals search

<http://auto.somanuals.com>

TV manuals search

<http://tv.somanuals.com>