



## INSTALLATION INSTRUCTIONS FOR PART 99-8157B

### APPLICATIONS

# LEXUS SC SERIES

# 1992-2000

# 99-8157B

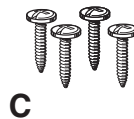
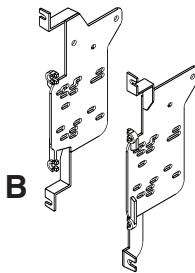
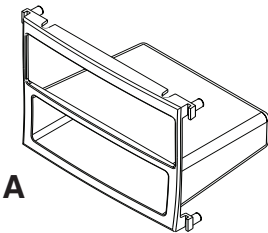
#### KIT FEATURES

- ISO Mount Radio Provision With Pocket
- Painted Black To Match Factory Dash



#### KIT COMPONENTS

A) Radio Housing With Pocket • B) Housing Brackets • C) (4) #8 X 3/8" Phillips Screws



#### TOOLS REQUIRED:

- Small Flat Blade Screwdriver/ Panel Removal Tool
- Phillips Screwdriver
  - Socket Set



1-800-221-0932



[www.metraonline.com](http://www.metraonline.com)

© COPYRIGHT 2008 METRA ELECTRONICS CORPORATION



**TABLE OF CONTENTS**

**Dash Disassembly**

**- Lexus SC Series 1992-2000 ..... 1,2**

**Kit Assembly**

**- ISO Mount Radio Provision with Pocket ..... 3**

**Final Assembly ..... 4**

**\*Note:**

**Refer also to the instructions included with the aftermarket radio.**



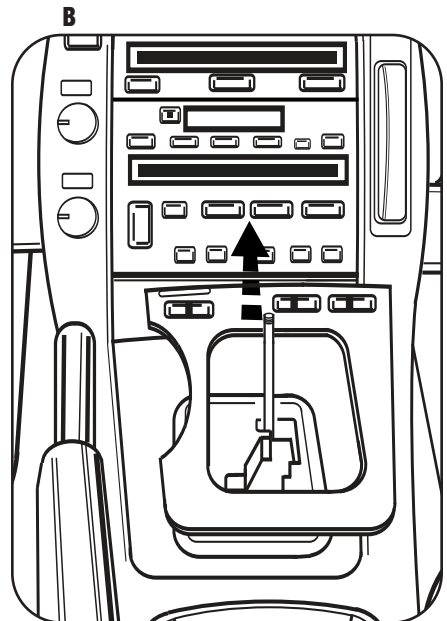
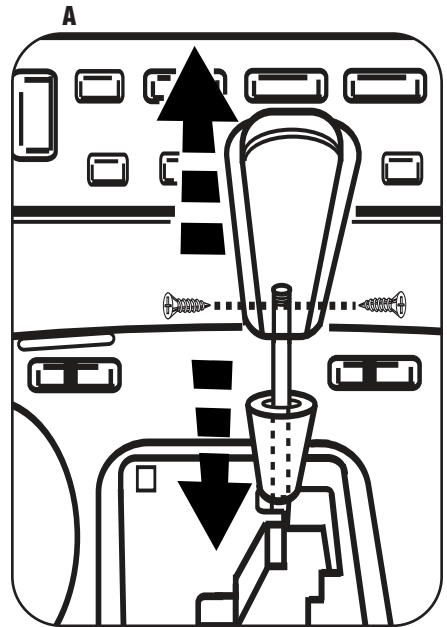
**KNOWLEDGE IS POWER**

Enhance your installation and fabrication skills by enrolling in the most recognized and respected mobile electronics school in our industry. Log onto [www.installerinstitute.com](http://www.installerinstitute.com) or call 800-354-6782 for more information and take steps toward a better tomorrow.

## LEXUS SC SERIES 1992-2000

- 1 Disconnect the negative battery terminal to prevent an accidental short circuit.
- 2 Push down on collar around base of shift knob then remove (2) Phillips screws then pull up on knob to remove. (Figure A)
- 3 Unclip and remove the shifter trim panel. **Tip:** Start at the front with ashtray open. (Figure B)
- 4 Open cup holder lid then unclip and remove the cup holder.

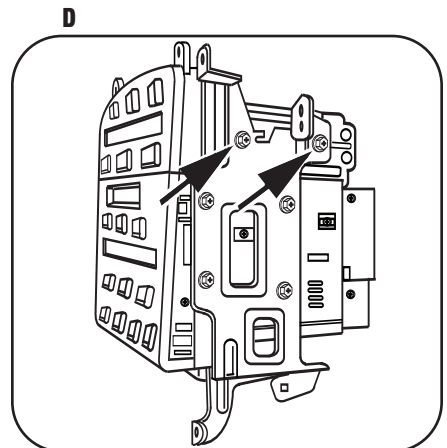
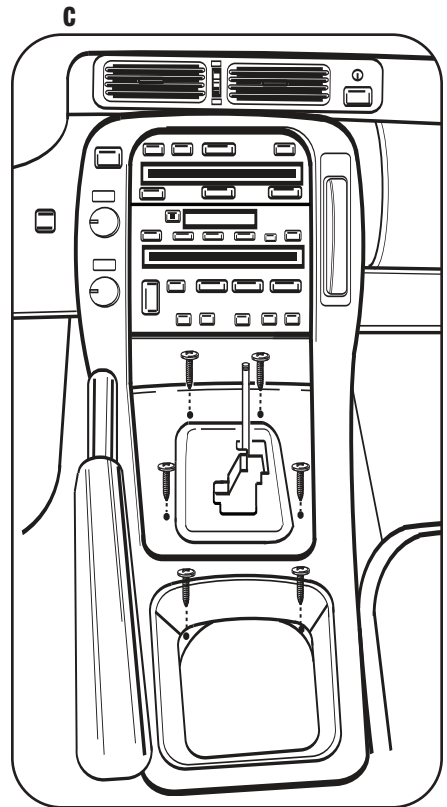
*Continued on page 2.*



## **LEXUS SC SERIES 1992-2000**

- 5** Remove (6) Phillips screws securing the upper console trim panel then unclip and remove the panel. (Figure C)
- 6** Remove (8) screws securing the radio and climate control assembly.
- 7** Remove (4) screws securing the climate controls to the bracket assembly and remove the climate controls. (*Retain the screws and climate controls for reuse during kit assembly*) (Figure D)

*Continue to kit assembly.*

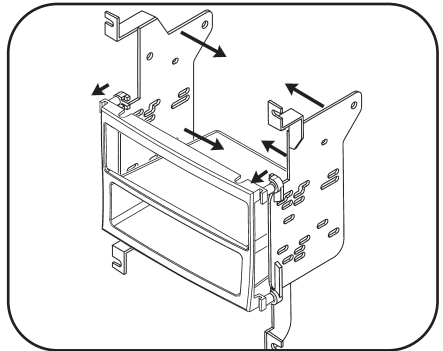
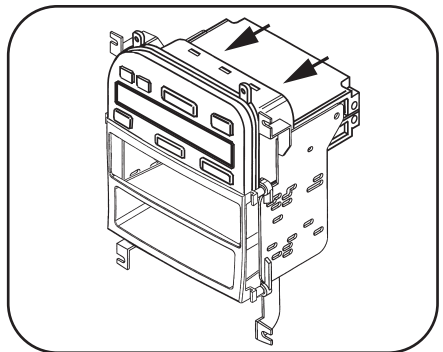
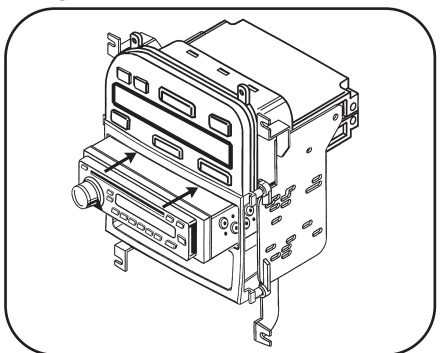


**LEXUS GS SERIES 1992-2000**
**ISO MOUNT RADIO PROVISION WITH POCKET**

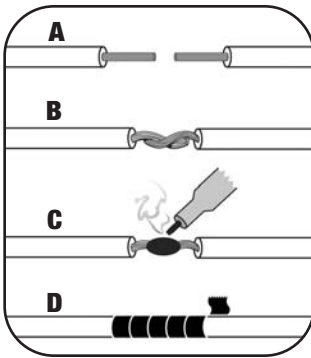
*Note: Refer also to the instructions included with the aftermarket radio.*

- 1** Attach the Housing Brackets to the Radio Housing using the (4) #8 X3/8" Phillips screws. (Figure A)
- 2** Position the factory climate controls into the bracket/radio housing assembly and secure using the factory hardware. (Figure B)
- 3** Slide the aftermarket radio into the bracket/radio housing assembly and secure the radio to the assembly using the screws supplied with the radio. (Figure C)

*Continue to final assembly.*

**A**

**B**

**C**


## FINAL ASSEMBLY



- (A) Strip wire ends back 1/2"**
- B) Twist ends together**
- C) Solder**
- D) Tape**

- 1** Locate the factory wiring harness in the dash. Metra recommends using the proper mating adapter and making connections as shown. (Isolate and individually tape off the ends of any unused wires to prevent electrical short circuit.)
- 2** Re-connect the negative battery terminal and test the unit for proper operation.
- 3** Reassemble radio and dash assemblies in reverse order of disassembly.

### FINAL WIRING CONNECTIONS

Make wiring connections using the EIA color code chart shown below and the instructions included with the head unit. Metra recommends making connections as shown below; Strip, Splice, Solder, Tape. Isolate and individually tape off ends of any unused wires to prevent electrical short circuit.

#### METRA / EIA WIRING CODE

12V Ignition / Acc. . . . . Red	Right Front (+) . . . . . Gray
12V Batt / Memory . . . . . Yellow	Right Front (-) . . . . . Gray/ Black
Ground. . . . . Black*	Left Front (+) . . . . . White
Power Antenna . . . . . Blue	Left Front (-) . . . . . White / Black
Amp Turn-On . . . . . Blue / White	Right Rear (+) . . . . . Violet
Amp Ground. . . . . Black / White	Right Rear (-) . . . . . Violet / Black
Illumination . . . . . Orange	Left Rear (+) . . . . . Green
Dimmer . . . . . Orange / White	Left Rear (-) . . . . . Green / Black

**\*NOTE:** When a Black wire is not present, ground radio to vehicle chassis.  
All colors may not be present on all leads due to manufacturer's specifications.

**Enjoy your newly installed radio!**



# 99-8157B INSTRUCTIONS



**1-800-221-0932**



**[www.metraonline.com](http://www.metraonline.com)**

REV. 12/22/08 © COPYRIGHT 2008 METRA ELECTRONICS CORPORATION INST99-8157B



## Free Manuals Download Website

<http://myh66.com>

<http://usermanuals.us>

<http://www.somanuals.com>

<http://www.4manuals.cc>

<http://www.manual-lib.com>

<http://www.404manual.com>

<http://www.luxmanual.com>

<http://aubethermostatmanual.com>

Golf course search by state

<http://golfingnear.com>

Email search by domain

<http://emailbydomain.com>

Auto manuals search

<http://auto.somanuals.com>

TV manuals search

<http://tv.somanuals.com>