



## INSTALLATION INSTRUCTIONS FOR PART 99-9100

### APPLICATIONS

# AUDI

## A4/A6/A8 1996-1999

## TT 2001-2006

# 99-9100

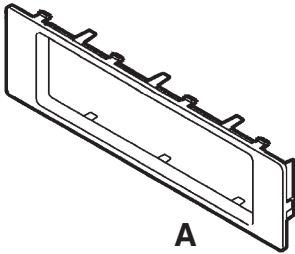


#### KIT FEATURES

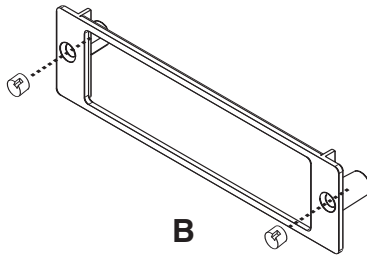
- DIN Mount Radio Provision

#### KIT COMPONENTS

- A) Trim Plate "A" • B) Trim Plate "B"



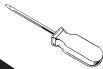
A



B

#### TOOLS REQUIRED:

- Small Flat Blade Screwdriver • Panel Removal Tool
- 86-9001-Head Unit Removal Keys



1-800-221-0932



[www.metraonline.com](http://www.metraonline.com)

© COPYRIGHT 2004-2007 METRA ELECTRONICS CORPORATION



**TABLE OF CONTENTS**

**Dash Disassembly**

- A4 1996-1999 ..... 1
- A6 1996-1999 ..... 1
- A8 1996-1999 ..... 1
- TT 2001-2006. .... 1

**Kit Assembly**

- DIN Mount Radio Provision ..... 2

- Wiring** ..... 3

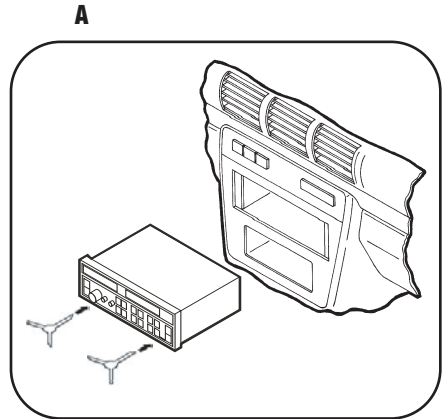
**\*Note:**

**Refer also to the instructions included with the aftermarket radio.**

**AUDI A4/A6/A8 1996-1999**  
**TT 2001-2996**

- 1** Disconnect the negative battery terminal to prevent an accidental short circuit.
- 2** Insert the long ends of Metra's 86-9001 into the slots in the factory head unit and pull the unit out. Disconnect the wiring. (**Figure A**)

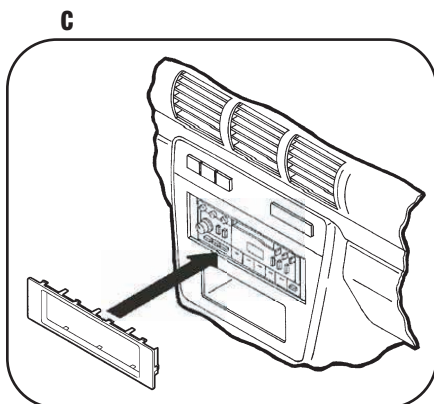
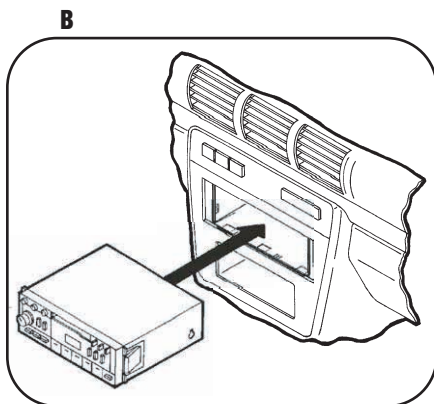
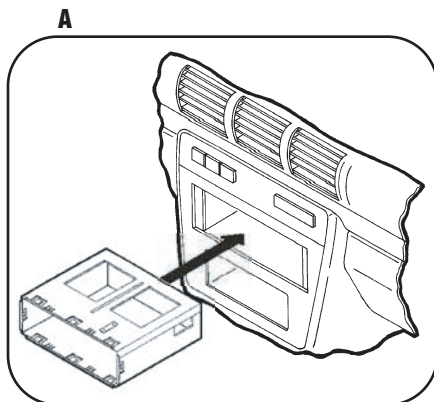
*Continue to kit assembly.*



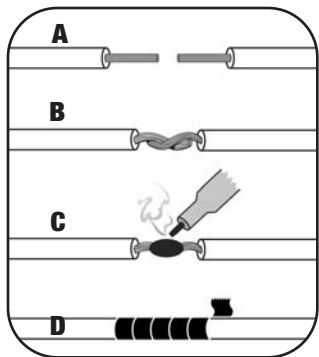
## DIN MOUNT RADIO PROVISION WITH POCKET

*\*Note: Refer also to the instructions included with the aftermarket radio.*

- 1 Slide the DIN cage into the radio opening and secure by bending the metal locking tabs outward. (Figure A)
- 2 Make wire connections as described on the next page.
- 3 Slide the radio into the DIN cage until it snaps into place. (Figure B)
- 4 Attach the trim plate to the front of the radio. (Figure C)



## WIRING



- (A) Strip wire ends back 1/2"**
- B) Twist ends together**
- C) Solder**
- D) Tape**

- 1** Locate the factory wiring harness in the dash. Metra recommends using the proper mating adapter and making connections as shown. (Isolate and individually tape off the ends of any unused wires to prevent electrical short circuit.)
- 2** Re-connect the negative battery terminal and test the unit for proper operation.

### FINAL WIRING CONNECTIONS

Make wiring connections using the EIA color code chart shown below and the instructions included with the head unit. Metra recommends making connections as shown below; Strip, Splice, Solder, Tape. Isolate and individually tape off ends of any unused wires to prevent electrical short circuit.

#### METRA / EIA WIRING CODE

12V Ignition / Acc. . . . . Red	Right Front (+) . . . . . Gray
12V Batt / Memory . . . . . Yellow	Right Front (-). . . . . Gray/ Black
Ground . . . . . Black*	Left Front (+) . . . . . White
Power Antenna . . . . . Blue	Left Front (-). . . . . White / Black
Amp Turn-On . . . . . Blue / White	Right Rear (+) . . . . . Violet
Amp Ground . . . . . Black / White	Right Rear (-) . . . . . Violet / Black
Illumination . . . . . Orange	Left Rear (+) . . . . . Green
Dimmer . . . . . Orange / White	Left Rear (-) . . . . . Green / Black

**\*NOTE:** When a Black wire is not present, ground radio to vehicle chassis.  
All colors may not be present on all leads due to manufacturer's specifications.





# 99-9100 INSTRUCTIONS



**1-800-221-0932**



**[www.metraonline.com](http://www.metraonline.com)**

REV. 12/11/07 © COPYRIGHT 2004-2007 METRA ELECTRONICS CORPORATION INST99-9100



## Free Manuals Download Website

<http://myh66.com>

<http://usermanuals.us>

<http://www.somanuals.com>

<http://www.4manuals.cc>

<http://www.manual-lib.com>

<http://www.404manual.com>

<http://www.luxmanual.com>

<http://aubethermostatmanual.com>

Golf course search by state

<http://golfingnear.com>

Email search by domain

<http://emailbydomain.com>

Auto manuals search

<http://auto.somanuals.com>

TV manuals search

<http://tv.somanuals.com>