



INSTALLATION INSTRUCTIONS FOR PART 99-4503

APPLICATIONS

**GENERAL MOTORS 1982-02
VEHICLES EQUIPPED WITH J-2000 PANEL-STYLE
FACTORY HEAD UNIT PROVISIONS
(SEE INSIDE FOR SPECIFIC APPLICATIONS)
(USE WITH 02-4544 BRACKET KIT
OR FACTORY BRACKETS)**

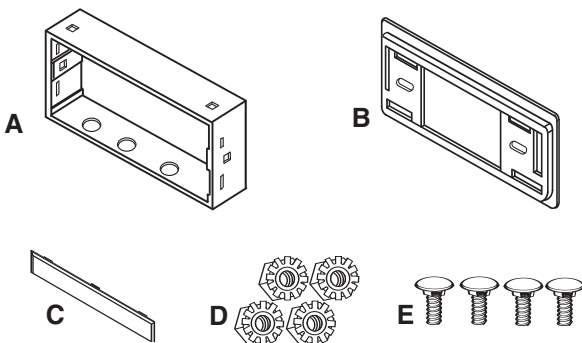
KIT FEATURES

- Shaft and DIN Unit Provisions

99-4503

KIT COMPONENTS

- A) Radio Housing • B) Faceplate • C) Equalizer Dummy Plate • D) (4) Keps Nuts
- E) (4) Carriage Bolts



TOOLS REQUIRED:

Phillips Screwdriver • Adjustable Wrench • Cutting Tool



1-800-221-0932



www.metraonline.com

© COPYRIGHT 2001-2008 METRA ELECTRONICS CORPORATION



99-4503

TABLE OF CONTENTS

All Vehicles

GENERAL MOTORS 1982-02 VEHICLES EQUIPPED WITH J-2000 PANEL-STYLE FACTORY HEAD UNIT PROVISIONS

Kit Preparation 1

Kit Assembly and Final Assembly

Shaft Head Unit Mount Radio Provision 2,3,4

DIN Head Unit Mount Radio Provision

***Note:**

Refer also to the instructions included with the aftermarket radio.



KNOWLEDGE IS POWER

Enhance your installation and fabrication skills by enrolling in the most recognized and respected mobile electronics school in our industry.

Log onto www.installerinstitute.com or call 800-354-6782 for more information and take steps toward a better tomorrow.

APPLICATIONS

NOTE: * THE FACTORY MOUNTING BRACKET(S) MUST BE RETAINED AND USED WITH THIS VEHICLE.

BUICK

Century 1982-96*
 Electra 1984-94*
 Estate wagon 1984-94*
 LeSabre 1984-94*
 Park Ave. 1984-94*
 Reatta 1990-91*
 Regal 1984-87*
 Riviera 1983-85*
 Riviera 1990-95*
 Roadmaster 1991-94*
 Skyhawk 1982-89*
 Skylark 1983-85*
 Skylark 1987-95*

CADILLAC

Cimarron 1982-88*
 DeVille 1985-93*
 Eldorado 1984-91*
 Escalade 1999-02
 Fleetwood 1985-93*
 Seville 1984-91*

CHEVROLET

Astro 1985-95*
 Astro 1996-02
 Beretta 1991-96*
 Camaro 1982-92*
 Blazer (full) 1989-91*
 Blazer 1998-02
 Camaro 1982-92*
 Camaro 1997-99
 Caprice 1991-93*
 Caprice 1994-96
 Cavalier 1982-94*
 Cavalier 1995-99
 Celebrity 1982-87*
 Citation II 1985*
 Corsica 1991-96*
 Corvette 1984-89*

CHEVROLET (continued)

Corvette 1997-02
 El Camino 1985-88*
 Express 1996-00
 Impala SS 1994-96
 Lumina 1990-94*
 Lumina 1995-99
 Lumina APV 1990-95*
 Lumina APV 1996*
 Malibu 1997-99
 Monte Carlo 1985-88*
 Monte Carlo 1995-99
 Nova 1985-88*
 Pickup 1995-02
 S10 Blazer 1982-94*
 S10 Pickup 1982-93*
 S10 Pickup 1998-02
 Silverado 1999-02
 Suburban 1989-91*
 Suburban 1995-02
 Tahoe 1995-02
 Van (full) 1988-95*
 Venture 1997-99

GMC

Jimmy (full) 1989-91*
 Jimmy 1998-02
 S15 Jimmy 1982-94*
 S15 Pickup 1982-93*
 Safari 1985-95*
 Safari 1996-02
 Savana 1996-00
 Sierra 1995-02
 Sonoma 1998-02
 Suburban 1989-91*
 Suburban 1995-99
 Van (full) 1988-95*
 Yukon 1995-02

OLDSMOBILE

Achieva 1992-95*
 Bravada 1991-94*
 Cutlass Calais 1984-91*
 Cutlass Ciera 1982-96*
 Cutlass Supr. 1984-88*
 Delta 88 1986-88*
 Firenza 1982-89*
 Ninety Eight 1984-90*
 Omega 1983-84*
 Silhouette 1990-96*
 Silhouette 1997-99
 Toronado 1982-85*

PONTIAC

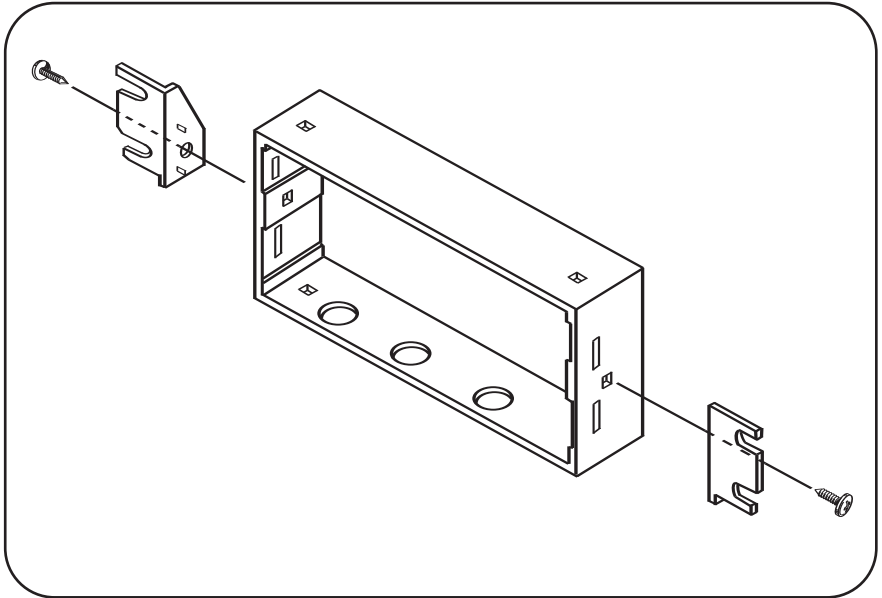
6000 1982-91*
 Bonneville 1982-93*
 Bonneville 1994-99
 Fiero 1984-88*
 Firebird 1982-92*
 Firebird 1993-02
 Grand Am 1985-95*
 Grand Am 1996-00
 Grand Prix 1985-93*
 Grand Prix 1994-00
 Montana 1999
 Sunbird J-2000 1982-88*
 Sunfire 1995-99
 TransSport 1990-96*
 TranSport 1997-98

SATURN

(All models) 1991-94*

ALL VEHICLES

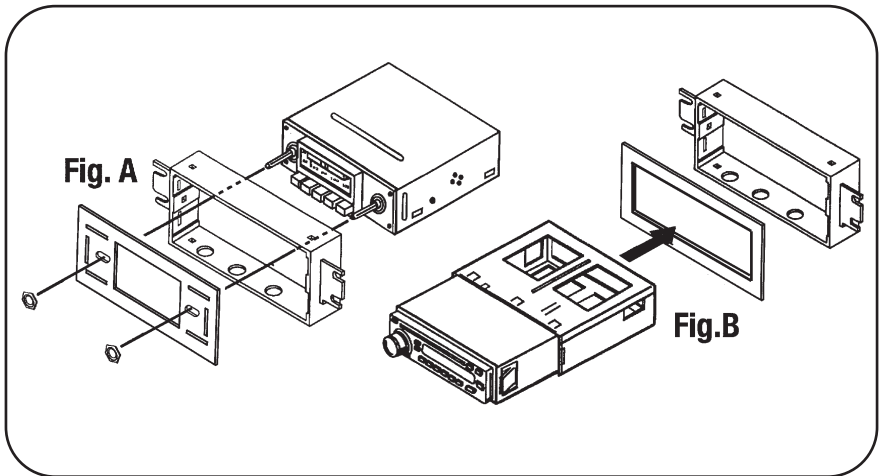
Please call Metra's Technical Support line for individual dash disassemblies. Mount the Metra bracket(s) OR factory mounting bracket(s) to the **Radio Housing** with **Carriage Bolts** and **Keys Nuts** supplied.



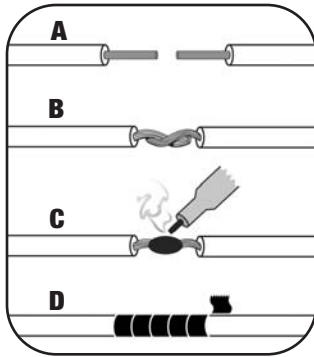
ALL VEHICLES

2-SHAFT HEAD UNITS: Attach the **Faceplate** to the **Radio Housing**. Slide the aftermarket head unit into the kit and secure with shaft nuts. (See Fig. A)

DIN HEAD UNITS: Cut and remove the shaft supports from the **Faceplate**. Snap the converted **Faceplate** onto the front of the **Radio Housing**. Slide the DIN cage into the kit and secure by bending the metal locking tabs down. Slide the aftermarket head unit into the cage until secure. (See Fig. B)



FINAL ASSEMBLY



- (A) Strip wire ends back 1/2"**
- B) Twist ends together**
- C) Solder**
- D) Tape**

- 1** Locate the factory wiring harness in the dash. Metra recommends using the proper mating adapter and making connections as shown. (Isolate and individually tape off the ends of any unused wires to prevent electrical short circuit.)
- 2** Re-connect the negative battery terminal and test the unit for proper operation.
- 3** Reassemble radio and dash assemblies in reverse order of disassembly.

FINAL WIRING CONNECTIONS

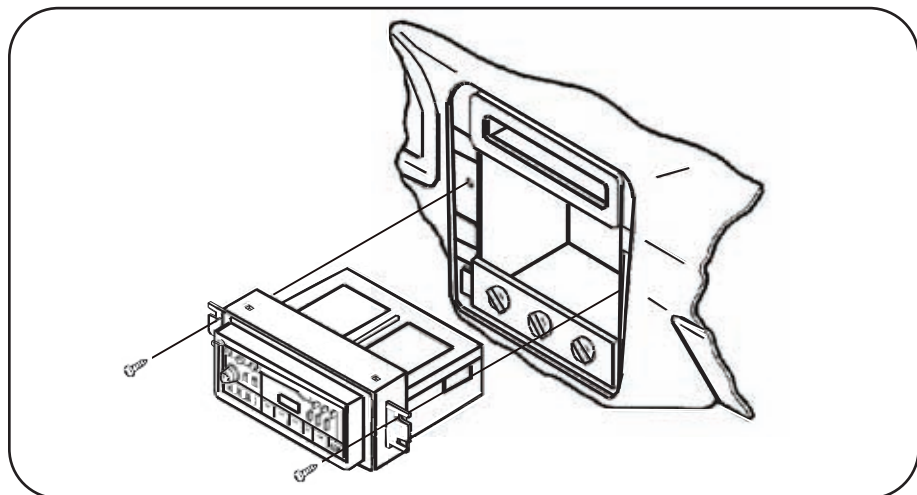
Make wiring connections using the EIA color code chart shown below and the instructions included with the head unit. Metra recommends making connections as shown below; Strip, Splice, Solder, Tape. Isolate and individually tape off ends of any unused wires to prevent electrical short circuit.

METRA / EIA WIRING CODE

12V Ignition / Acc.	Red	Right Front (+)	Gray
12V Batt / Memory.	Yellow	Right Front (-).	Gray/ Black
Ground.	Black*	Left Front (+)	White
Power Antenna.	Blue	Left Front (-).	White / Black
Amp Turn-On	Blue / White	Right Rear (+)	Violet
Amp Ground.	Black / White	Right Rear (-).	Violet / Black
Illumination	Orange	Left Rear (+)	Green
Dimmer	Orange / White	Left Rear (-).	Green / Black

***NOTE:** When a Black wire is not present, ground radio to vehicle chassis.
All colors may not be present on all leads due to manufacturer's specifications.

ALL VEHICLES



Re-connect the battery terminal and test the unit for proper operation. Mount the head unit/kit assembly to the sub-dash with those screws previously removed.

99-4503 INSTRUCTIONS



1-800-221-0932



www.metraonline.com

REV. 11/25/08 © COPYRIGHT 2001-2008 METRA ELECTRONICS CORPORATION INST99-4503

Free Manuals Download Website

<http://myh66.com>

<http://usermanuals.us>

<http://www.somanuals.com>

<http://www.4manuals.cc>

<http://www.manual-lib.com>

<http://www.404manual.com>

<http://www.luxmanual.com>

<http://aubethermostatmanual.com>

Golf course search by state

<http://golfingnear.com>

Email search by domain

<http://emailbydomain.com>

Auto manuals search

<http://auto.somanuals.com>

TV manuals search

<http://tv.somanuals.com>