



INSTALLATION INSTRUCTIONS FOR PART 95-7866B

APPLICATIONS

ACURA MDX 2001-2006

95-7866B

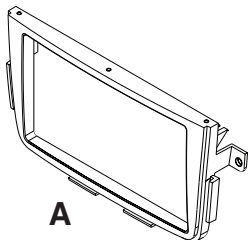
KIT FEATURES

- Double DIN Head Unit Provision
- ISO Stacked Head Unit Provision
- **Painted Matte Black to Match Factory Dash**

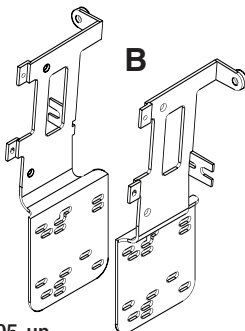


KIT COMPONENTS

A) Double DIN Radio Housing • B) DDIN Brackets (To hold Display above radio)



A



B

WIRING AND ANTENNA CONNECTIONS

(Sold Separately)

- 70-1721 Honda harness - 1998-up
- 40-HD10 -Honda antenna adapter- 2005-up

TOOLS REQUIRED:

Small Flat Blade Screwdriver/ Panel Removal Tool

- Phillips Screwdriver • Socket Wrench



1-800-221-0932



www.metraonline.com

© COPYRIGHT 2003-2009

METRA ELECTRONICS CORPORATION



TABLE OF CONTENTS

Dash Disassembly

- ACURA MDX 2001-2006..... 1

Kit Preparation

- Display Unit Assembly 2

Kit Assembly

- Double DIN Head Unit Provision 3

- ISO Stacked Head Unit Provision 4

***Note:**

Refer also to the instructions included with the aftermarket radio.



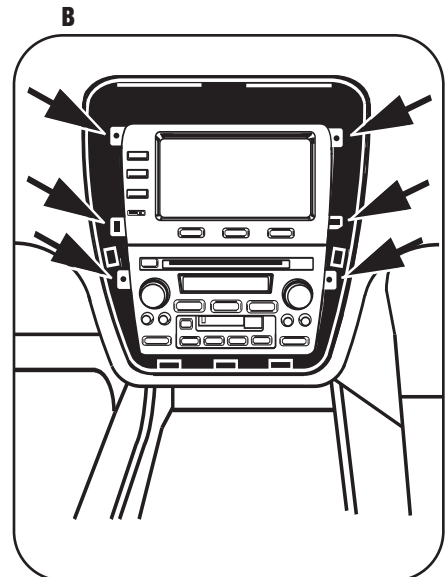
KNOWLEDGE IS POWER

Enhance your installation and fabrication skills by enrolling in the most recognized and respected mobile electronics school in our industry. Log onto www.installerinstitute.com or call 800-354-6782 for more information and take steps toward a better tomorrow.

ACURA MDX 2001-2006

- 1** Disconnect the negative battery terminal to prevent an accidental short circuit.
- 2** Unclip and remove trim panel around radio/display including a/c vents. (Figure A)
- 3** Remove (6) mounting screws and remove the audio/display unit from the dash. (Figure B)
- 4** Remove (8) screws from the audio unit and (4) screws from the display unit and remove the brackets from the audio/display assembly.

Continue to kit preparation.

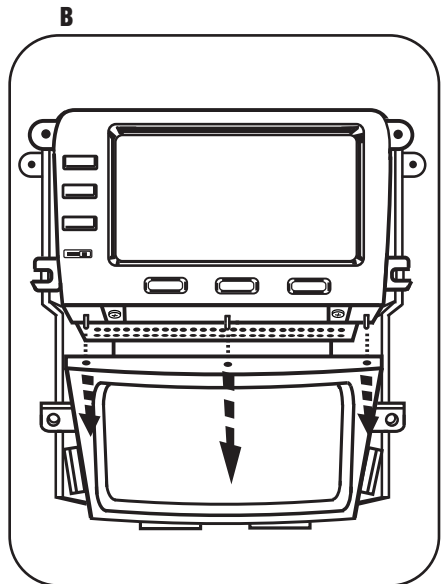
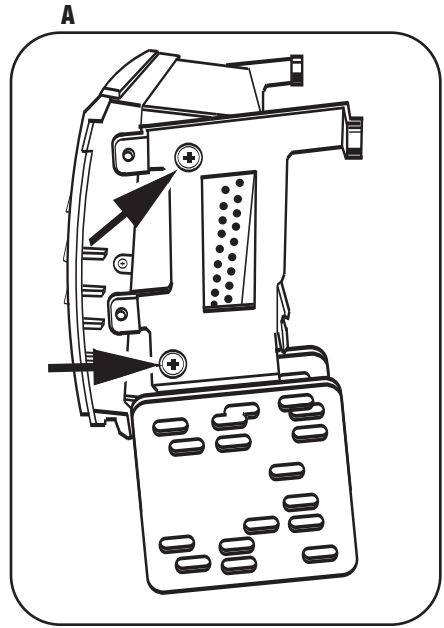


DISPLAY UNIT ASSEMBLY

**Note: Refer also to the instructions included with the aftermarket radio.*

- 1 Using the mounting screws from the display unit, attach the brackets supplied with the kit by aligning the guide pins on the display with the holes on the brackets. (Figure A)
- 2 Align guide pins on bottom of display unit with holes on top of housing and attach the unit to the housing using the (2) screws previously removed. (Figure B)

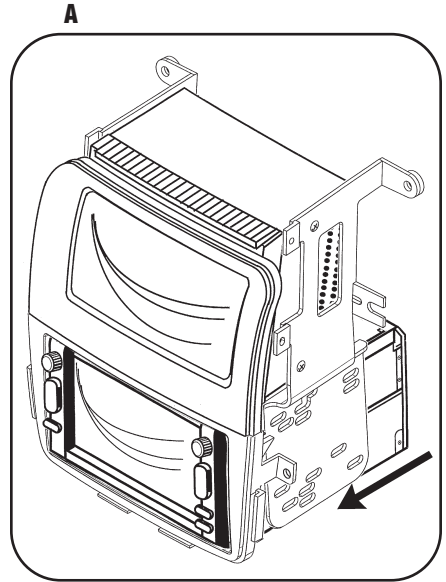
Continue to kit assembly.



DOUBLE DIN HEAD UNIT PROVISION/ ISO STACKED HEAD UNIT PROVISION

**Note: Refer also to the instructions included with the aftermarket radio.*

- 1 Locate the factory wiring harness in the dash. Metra recommends using the proper mating adapter from Metra or AXXESS. Re-connect the negative battery terminal and test the unit for proper operation.
- 2 Slide the Double DIN head unit or stacked ISO head units into the bracket/radio housing assembly and secure the Double DIN head unit or stacked ISO head units to the assembly using the screws supplied with the radio. (Figure A)
- 3 Reassemble dash in reverse order of disassembly.



95-7866B INSTRUCTIONS



1-800-221-0932



www.metraonline.com

REV. 08/24/09 © COPYRIGHT 2003-2009 METRA ELECTRONICS CORPORATION INST99-7866B

Free Manuals Download Website

<http://myh66.com>

<http://usermanuals.us>

<http://www.somanuals.com>

<http://www.4manuals.cc>

<http://www.manual-lib.com>

<http://www.404manual.com>

<http://www.luxmanual.com>

<http://aubethermostatmanual.com>

Golf course search by state

<http://golfingnear.com>

Email search by domain

<http://emailbydomain.com>

Auto manuals search

<http://auto.somanuals.com>

TV manuals search

<http://tv.somanuals.com>