



INSTALLATION INSTRUCTIONS FOR PART 99-8712

APPLICATIONS

Mercedes Benz C Class 2005-2007

99-8712

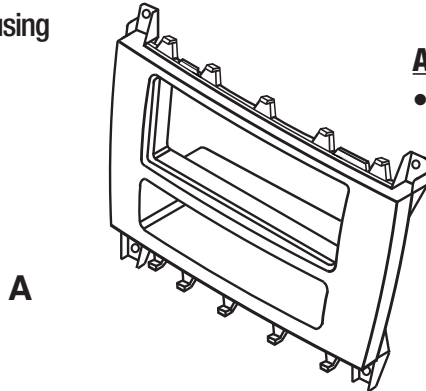
KIT FEATURES

- DIN head unit provision with pocket



KIT COMPONENTS

A) Radio Housing

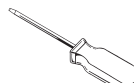
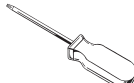


Antenna Adapter:

- 40-VW12 - Mercedes antenna adapter

TOOLS REQUIRED:

- Socket Wrench
- Torx Screwdriver
- Small Flat Blade Screwdriver



1-800-221-0932



www.metraonline.com

© COPYRIGHT 2004-2010 METRA ELECTRONICS CORPORATION REV. 10-07-10

TABLE OF CONTENTS

***Dash Disassembly* 1-2**

***Kit Assembly* 3**

***Final Assembly* 4**



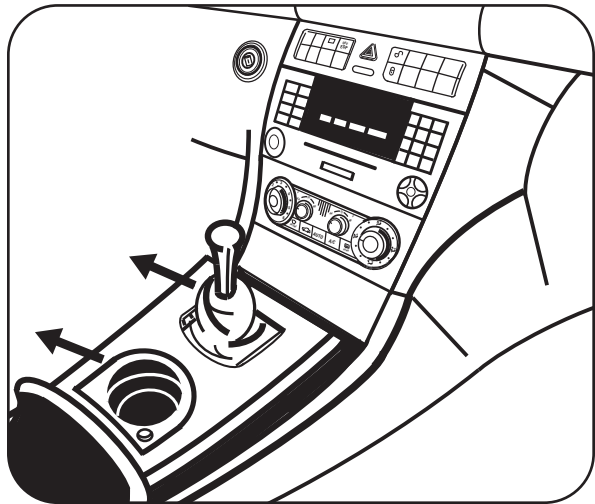
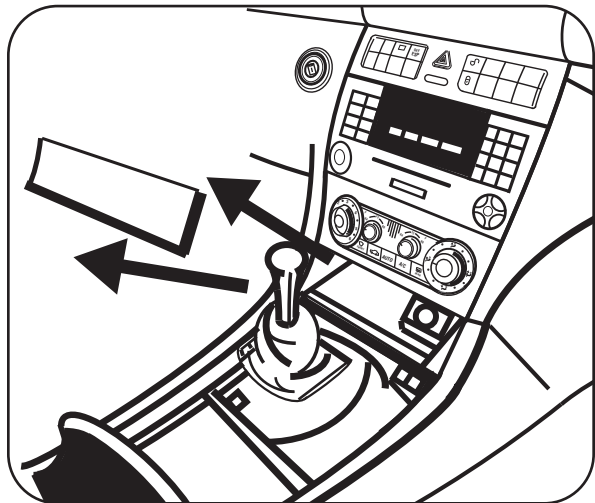
KNOWLEDGE IS POWER

Enhance your installation and fabrication skills by enrolling in the most recognized and respected mobile electronics school in our industry.

Log onto www.installerinstitute.com or call 800-354-6782 for more information and take steps toward a better tomorrow.

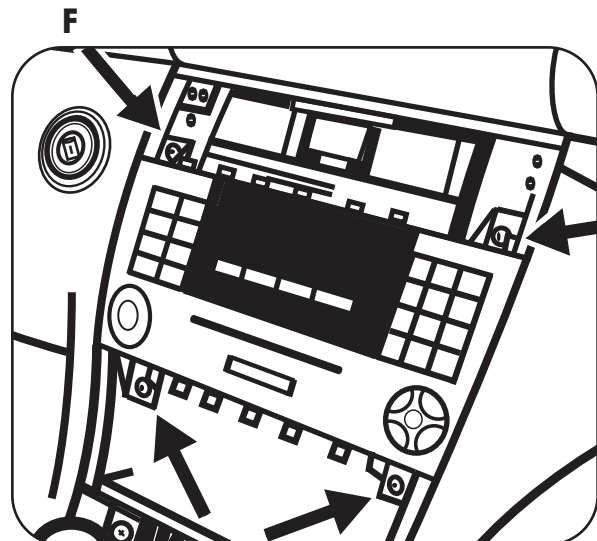
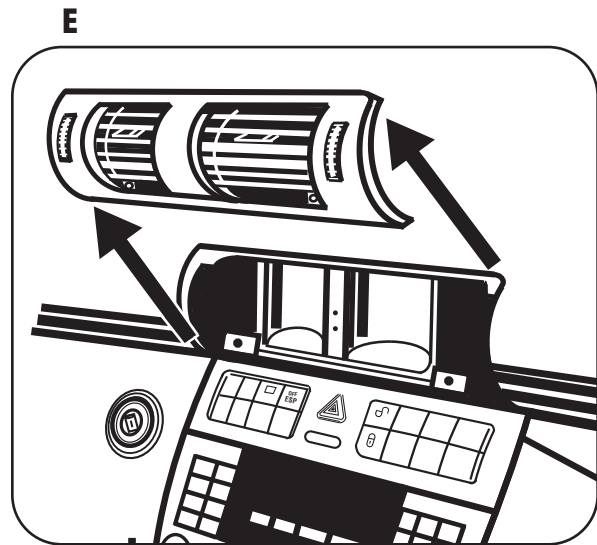
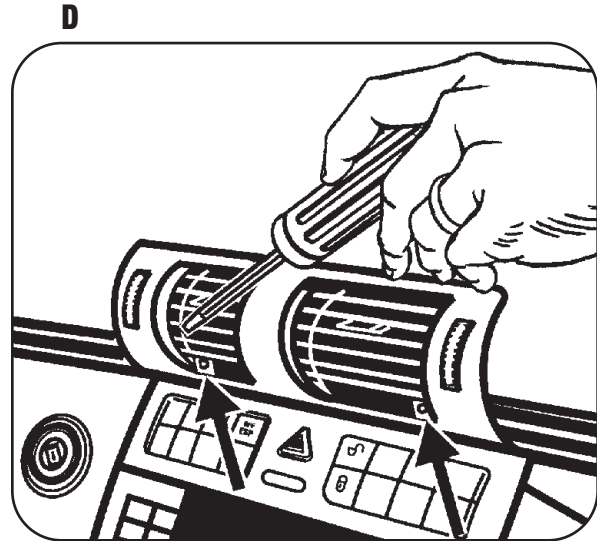
2005-2007 MERCEDES BENZ C CLASS

- 1** Disconnect the negative battery terminal to prevent an accidental short circuit.
- 2** Unclip and remove cover around shift lever and cup holder. (Figure A)
- 3** Unclip and remove ashtray assembly. (Figure B)
- 4** Remove (2) Torx screws from the bottom of the climate control unit then remove the unit. (Figure C)

A

B

C

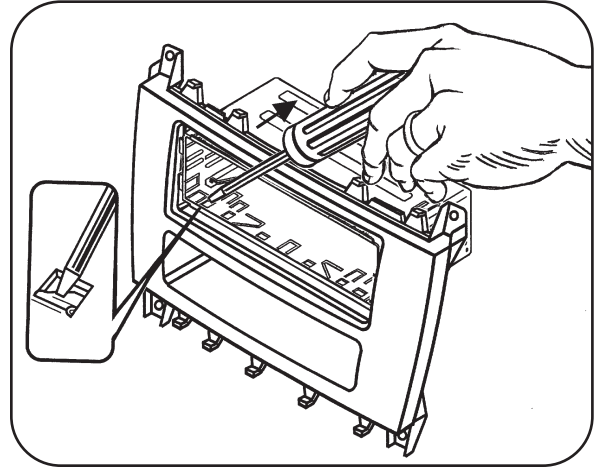
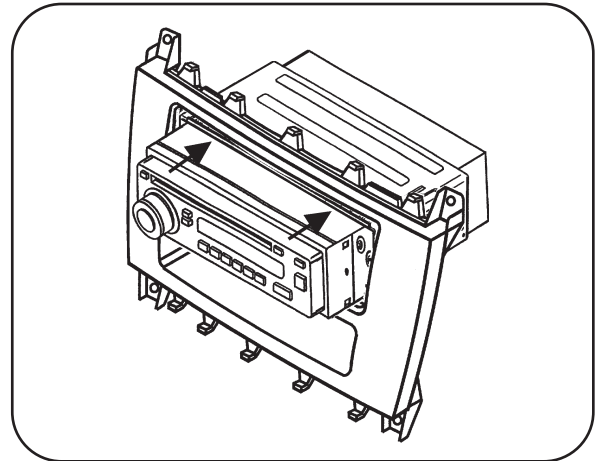

2005-2007 MERCEDES BENZ C CLASS

- 5 Using a small screwdriver push the release clips inside the vents inward and rotate the vents upward to expose the (2) Torx screws behind the vents. (Figure D)
- 6 Unclip and remove the vent assembly. (Figure E)
- 7 Remove (4) Torx screws securing factory radio then remove the unit. (Figure F)



DIN HEAD UNIT PROVISION

- 1 Slide the DIN cage into the Radio Housing and secure by bending the metal locking tabs down. (Figure A)
- 2 Slide the aftermarket head unit into the cage and secure. (Figure B)

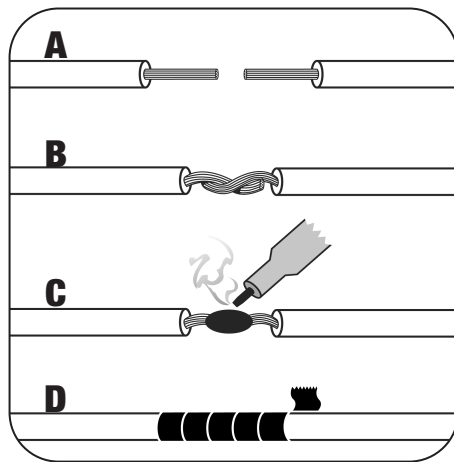
A

B


FINAL ASSEMBLY

- 1 Locate the factory wiring harness in the dash and make the connection as shown. Metra recommends using the proper mating adapter and making the connections as shown. (Isolate and individually tape off the ends of any unused wires to prevent
- 2 Re-connect the negative battery terminal and test the unit for proper operation.
- 3 Reassemble radio and dash assemblies in reverse order of disassembly.

FINAL WIRING CONNECTIONS

Make wiring connections using the EIA color code chart shown below and the instructions included with the head unit. Metra recommends making connections as shown below; Strip, Splice, Solder, Tape. Isolate and individually tape off ends of any unused wires to prevent electrical short circuit.



- A) Strip wire ends back 1/2"**
- B) Twist ends together**
- C) Solder**
- D) Tape**

METRA / EIA WIRING CODE

12V Ignition / Acc . . . Red	Right Front (+) Gray
12V Batt / Memory . . Yellow	Right Front (-) Gray / Black
Ground Black*	Left Front (+) White
Power Antenna Blue	Left Front (-) White / Black
Amp Turn-On Blue / White	Right Rear (+) Violet
Amp Ground Black / White	Right Rear (-) Violet / Black
Illumination Orange	Left Rear (+) Green
Dimmer Orange / White	Left Rear (-) Green / Black

***NOTE:** When Black a wire is not present, ground radio to vehicle chassis.
All colors may not be present on all leads due to manufacturer's specifications.

99-8712 INSTRUCTIONS



1-800-221-0932



www.metraonline.com

REV. 10/07/10

© COPYRIGHT 2004-2010 METRA ELECTRONICS CORPORATION

INST99-8712

Free Manuals Download Website

<http://myh66.com>

<http://usermanuals.us>

<http://www.somanuals.com>

<http://www.4manuals.cc>

<http://www.manual-lib.com>

<http://www.404manual.com>

<http://www.luxmanual.com>

<http://aubethermostatmanual.com>

Golf course search by state

<http://golfingnear.com>

Email search by domain

<http://emailbydomain.com>

Auto manuals search

<http://auto.somanuals.com>

TV manuals search

<http://tv.somanuals.com>