



INSTALLATION INSTRUCTIONS FOR PART 99-7334

APPLICATIONS KIA Borrego 2009

99-7334

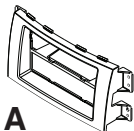
KIT FEATURES

- DIN Radio Provision
- ISO DIN Radio Provision
- Double DIN Radio Provision
- Stacked ISO Mount Units Provision



KIT COMPONENTS

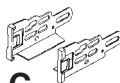
- A) Radio Housing • B) ISO Trim Plate • C) ISO Brackets • D) Double DIN Trim Plate
• E) Double DIN Brackets • F) Pocket



A



B



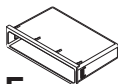
C



D



E



F

Wiring & Antenna Connections (sold separately)

- 70-7303 - Hyundai / Kia Harness 2009
- 40-KI10 - Kia Antenna Adapter 2007-up

TOOLS REQUIRED:

- Small Flat Blade Screwdriver/ Panel Removal Tool
- Phillips Screwdriver



1-800-221-0932



www.metraonline.com

© COPYRIGHT 2010 METRA ELECTRONICS CORPORATION



TABLE OF CONTENTS

Dash Disassembly

- KIA Borrego 2009 1

Kit Assembly

- DIN Radio Provision 2

- ISO Mount Radio Provision 3

- Double DIN/Stacked ISO Mount Units Provision. 4

Final Assembly 5

***Note:**

Refer also to the instructions included with the aftermarket radio.



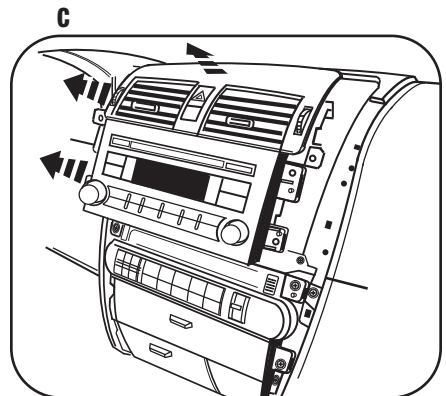
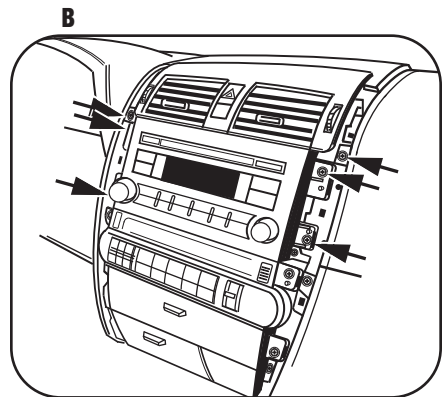
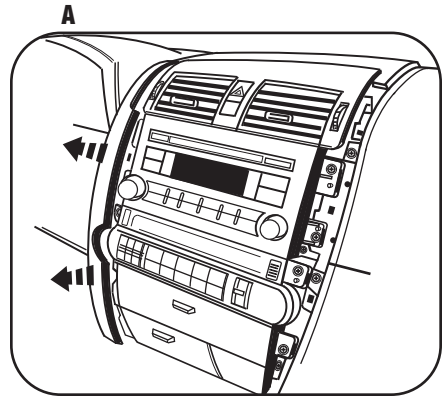
KNOWLEDGE IS POWER

Enhance your installation and fabrication skills by enrolling in the most recognized and respected mobile electronics school in our industry. Log onto www.installerinstitute.com or call 800-354-6782 for more information and take steps toward a better tomorrow.

KIA BORREGO 2009

- 1 Disconnect the negative battery terminal to prevent an accidental short circuit.
- 2 Unclip and remove the side trim panels. (Figure A)
- 3 Remove (4) Phillips screws securing the radio and (2) Phillips screws securing the A/C vent panel above the radio. (Figure B)
- 4 Unclip and remove the radio and A/C vent panel as one piece then unplug the radio and vent panel and separate. (Figure C)

Continue to kit assembly.



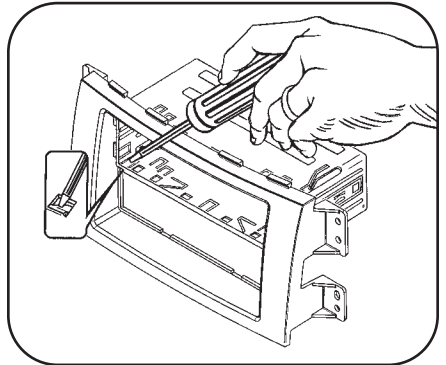
DIN RADIO PROVISION

****Note: Refer also to the instructions included with the aftermarket radio.***

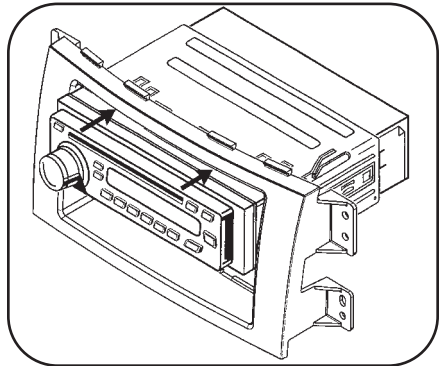
- 1** Slide the DIN cage into the Radio Housing and secure by bending the metal locking tabs outward. (Figure A)
- 2** Slide the aftermarket radio into the cage until it snaps into place. (Figure B)
- 3** Snap the pocket into the bottom opening of the radio housing. (Figure C)

Continue to final assembly.

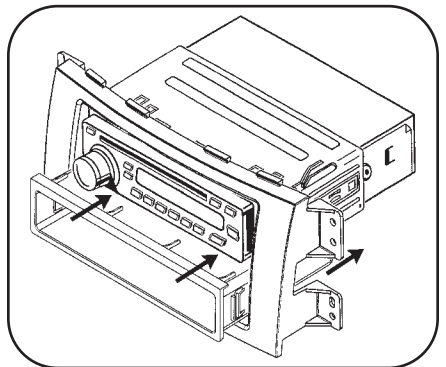
A



B



C



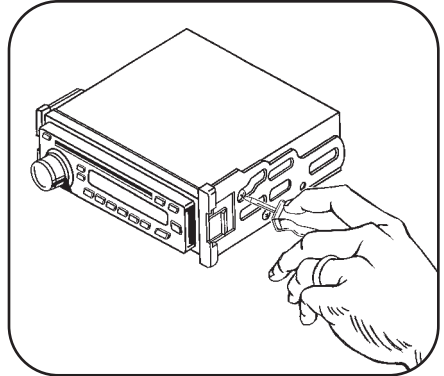
ISO MOUNT RADIO PROVISION

**Note: Refer also to the instructions included with the aftermarket radio.*

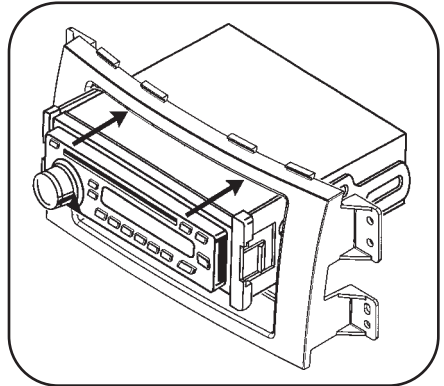
- 1 Mount the ISO Brackets to the radio using the screws supplied with the radio. (Figure A)
- 2 Slide the radio/bracket assembly into the radio housing until it snaps into place. (Figure B)
- 3 Snap the ISO Trim plate onto the front of the Radio Housing. (Figure C)
- 4 Snap the pocket into the bottom opening of the radio housing. (Figure D)

Continue to final assembly.

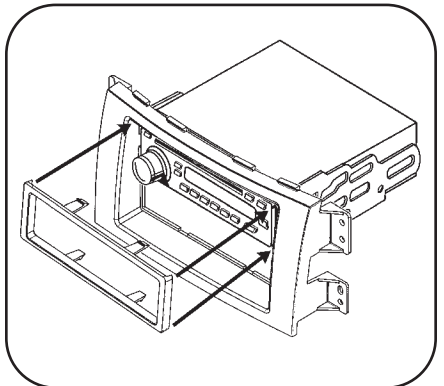
A



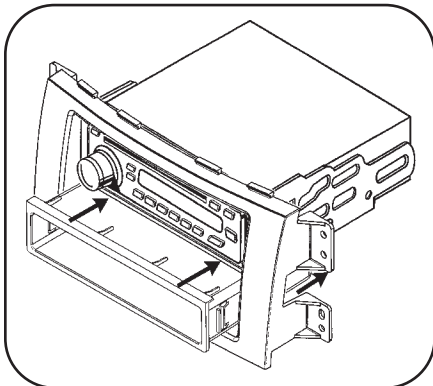
B



C



D

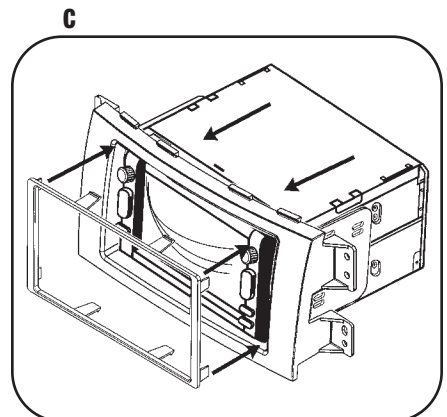
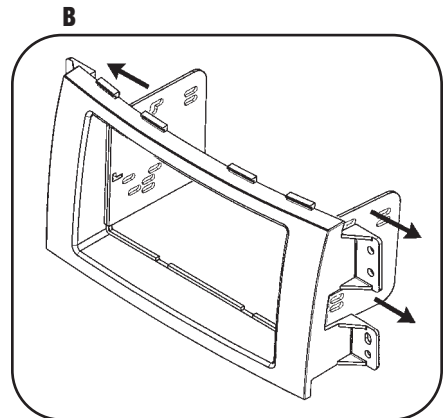
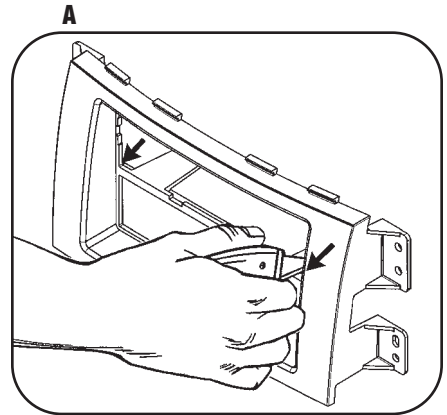


DOUBLE DIN/STACKED ISO MOUNT UNITS PROVISION

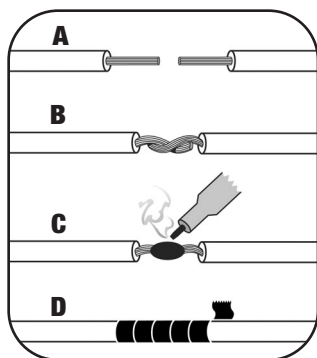
**Note: Refer also to the instructions included with the aftermarket radio.*

- 1 Cut and remove the center bar from the radio housing. (Figure A)
- 2 Snap the Double DIN brackets to the inside edge of the Radio Housing. (Figure B)
- 3 Slide the Double DIN or stacked ISO mount unit(s) into the bracket/radio housing assembly and secure the unit(s) to the assembly using the screws supplied with the unit(s). (Figure C)
- 4 Snap the Double DIN Trim plate onto the front of the Radio Housing. (Figure C)

Continue to final assembly.



FINAL ASSEMBLY



- (A) Strip wire ends back 1/2"**
- B) Twist ends together**
- C) Solder**
- D) Tape**

- 1** Locate the factory wiring harness in the dash. Metra recommends using the proper mating adapter and making connections as shown. (Isolate and individually tape off the ends of any unused wires to prevent electrical short circuit.)
- 2** Re-connect the negative battery terminal and test the unit for proper operation.
- 3** Reassemble radio and dash assemblies in reverse order of disassembly.

FINAL WIRING CONNECTIONS

Make wiring connections using the EIA color code chart shown below and the instructions included with the head unit. Metra recommends making connections as shown below; Strip, Splice, Solder, Tape. Isolate and individually tape off ends of any unused wires to prevent electrical short circuit.

METRA / EIA WIRING CODE

12V Ignition / Acc. Red	Right Front (+) Gray
12V Batt / Memory Yellow	Right Front (-). Gray/ Black
Ground. Black*	Left Front (+) White
Power Antenna Blue	Left Front (-). White / Black
Amp Turn-On Blue / White	Right Rear (+) Violet
Amp Ground. Black / White	Right Rear (-). Violet / Black
Illumination Orange	Left Rear (+) Green
Dimmer Orange / White	Left Rear (-). Green / Black

***NOTE:** When a Black wire is not present, ground radio to vehicle chassis.
All colors may not be present on all leads due to manufacturer's specifications.

Enjoy your newly installed radio!

99-7334 INSTRUCTIONS



1-800-221-0932  **www.metraonline.com**

REV. 09/01/10 © COPYRIGHT 2010 METRA ELECTRONICS CORPORATION INST99-7334

Free Manuals Download Website

<http://myh66.com>

<http://usermanuals.us>

<http://www.somanuals.com>

<http://www.4manuals.cc>

<http://www.manual-lib.com>

<http://www.404manual.com>

<http://www.luxmanual.com>

<http://aubethermostatmanual.com>

Golf course search by state

<http://golfingnear.com>

Email search by domain

<http://emailbydomain.com>

Auto manuals search

<http://auto.somanuals.com>

TV manuals search

<http://tv.somanuals.com>