



INSTALLATION INSTRUCTIONS FOR PART 99-7337B

APPLICATIONS

KIA Soul 2010-11

99-7337B

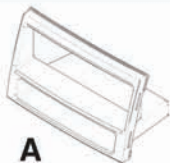
KIT FEATURES

- DIN Radio Provision with Pocket
- ISO Radio Provision with Pocket
- Painted Matte Black

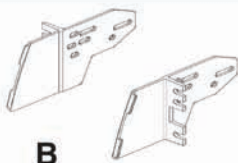


KIT COMPONENTS

A) Radio Housing B) ISO Brackets



A



B

WIRING AND ANTENNA CONNECTIONS (Sold Separately)

Harness:

- 70-7303 - Kia / Hyundai Harness 2009-up

Antenna Adapter:

- 40-K111 - Kia / Hyundai Antenna Adapter 2007-up

TOOLS REQUIRED:

- Small Flat Blade Screwdriver
- Panel Removal Tool
- Phillips Screwdriver



1-800-221-0932



www.metraonline.com

© COPYRIGHT 2007-2009 METRA ELECTRONICS CORPORATION

Download from www.Somanuals.com - All Manuals Search And Download

TABLE OF CONTENTS

Dash Disassembly

- KIA Soul 2010-11 **1**

Kit Assembly

- ISO Head Unit Provision **2**

Final Assembly **3**

***Note:**

Refer also to the instructions included with the aftermarket radio.



KNOWLEDGE IS POWER

Enhance your installation and fabrication skills by enrolling in the most recognized and respected mobile electronics school in our industry. Log onto www.installerinstitute.com or call 800-354-6782 for more information and take steps toward a better tomorrow.

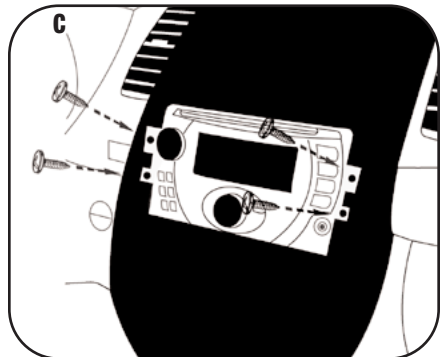
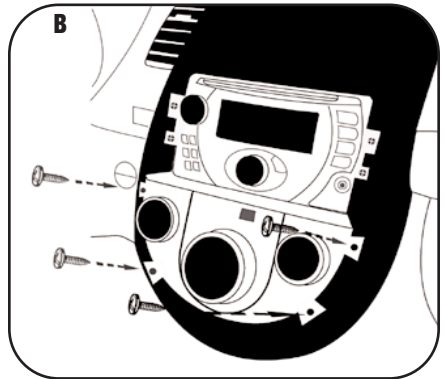
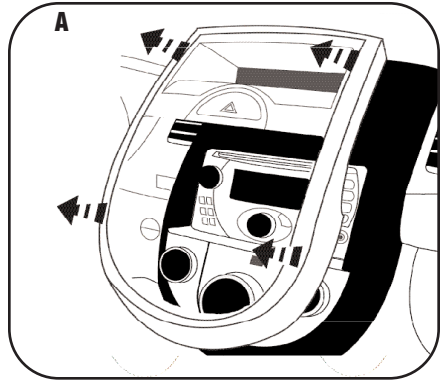


Metra recommends MECP certified technicians.

KIA SOUL 2010-11

- 1 Disconnect the negative battery terminal to prevent an accidental short circuit.
- 2 Unclip and remove the radio/climate control trim panel. (Figure A)
- 3 Remove (4) Phillips screws securing the climate control. (Figure B)
- 4 Remove (4) Phillips screws securing the radio. (Figure C)

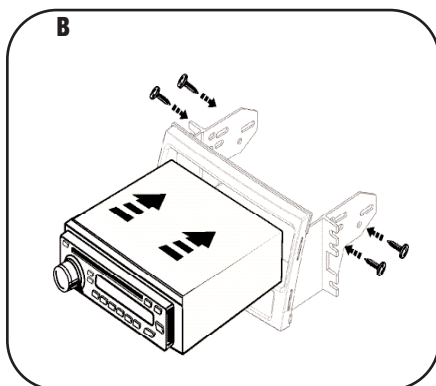
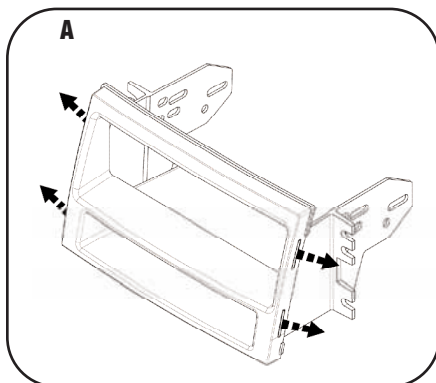
Continue to kit assembly.



ISO HEAD UNIT PROVISION

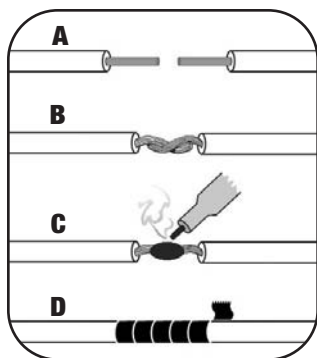
****Note: Refer also to the instructions included with the aftermarket radio.***

- 1** Attach the ISO brackets to the radio housing. (Figure A)
- 2** Slide the head unit into the bracket / radio housing assembly and secure using the ISO screws supplied with the radio. (Figure B)
- 3** Locate the factory wiring harness in the dash. Metra recommends using the proper mating adapter from Metra or AXCESS. Re-connect the negative battery terminal and test the unit for proper operation.
- 4** Reassemble dash in reverse order of disassembly.



Continue to final assembly.

FINAL ASSEMBLY



(A) Strip wire ends back 1/2"

B) Twist ends together

C) Solder

D) Tape

- 1 Locate the factory wiring harness in the dash. Metra recommends using the proper mating adapter and making connections as shown. (Isolate and individually tape off the ends of any unused wires to prevent electrical short circuit.)
- 2 Re-connect the negative battery terminal and test the unit for proper operation.
- 3 Reassemble radio and dash assemblies in reverse order of disassembly.

FINAL WIRING CONNECTIONS

Make wiring connections using the EIA color code chart shown below and the instructions included with the head unit. Metra recommends making connections as shown below; Strip, Splice, Solder, Tape. Isolate and individually tape off ends of any unused wires to prevent electrical short circuit.

METRA / EIA WIRING CODE

12V Ignition / Acc. Red	Right Front (+) Gray
12V Batt / Memory Yellow	Right Front (-) Gray/ Black
Ground Black*	Left Front (+) White
Power Antenna Blue	Left Front (-) White / Black
Amp Turn-On Blue / White	Right Rear (+) Violet
Amp Ground Black / White	Right Rear (-) Violet / Black
Illumination Orange	Left Rear (+) Green
Dimmer Orange / White	Left Rear (-) Green / Black

***NOTE:** When a Black wire is not present, ground radio to vehicle chassis.
All colors may not be present on all leads due to manufacturer's specifications.

99-7337B INSTRUCTIONS



1-800-221-0932



www.metraonline.com

REV. 09/01/10 © COPYRIGHT 2004-2010 METRA ELECTRONICS CORPORATION INST99-7337B

Free Manuals Download Website

<http://myh66.com>

<http://usermanuals.us>

<http://www.somanuals.com>

<http://www.4manuals.cc>

<http://www.manual-lib.com>

<http://www.404manual.com>

<http://www.luxmanual.com>

<http://aubethermostatmanual.com>

Golf course search by state

<http://golfingnear.com>

Email search by domain

<http://emailbydomain.com>

Auto manuals search

<http://auto.somanuals.com>

TV manuals search

<http://tv.somanuals.com>