



INSTALLATION INSTRUCTIONS FOR PART 99-7343

APPLICATIONS

2011 Hyundai Sonata

(For models equipped without Nav and with auto climate controls)

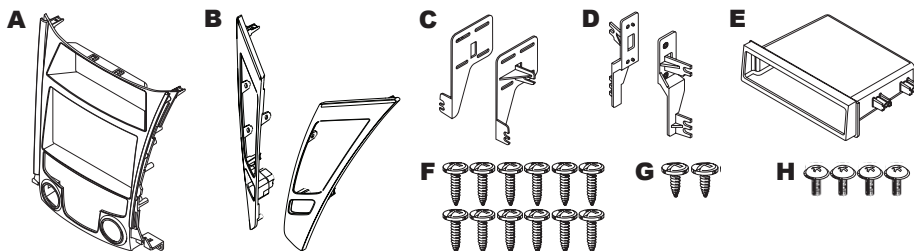
99-7343

KIT FEATURES

- ISO DIN head unit provision with pocket
- DDIN head unit provisions
- Painted black and silver to match factory dash

KIT COMPONENTS

- A) Radio Housing
- B) (2) A/C Vent Trim Panels
- C) DDIN Brackets
- D) Display Brackets
- E) Pocket
- F) (12) 1/2" Phillips screws
- G) (2) #8X1/4" Pan Head screws
- H) (4) #8X3/8" Truss Head screws



WIRING & ANTENNA CONNECTIONS (Sold Separately)

Wire harness:

- 70-7304 2010 Kia/Hyundai Harness
- 70-7305 2010 Kia/Hyundai Amp Bypass Harness

Antenna adapter:

- Not Required

TOOLS REQUIRED

Panel Removal Tool • Phillips Screwdriver • Socket Wrench



METRA. THE WORLD'S BEST KITS.™



1-800-221-0932



metraonline.com

© COPYRIGHT 2004-2011 METRA ELECTRONICS CORPORATION

Download from www.Somanuals.com. All Manuals Search And Download.



99-7343

Table of Contents

Dash Disassembly

- Hyundai Sonata 2011.....3-4

Kit Assembly

- Hyundai Sonata 2011.....5-6
- ISO DIN head unit provisions.....7
- DOUBLE DIN head unit provisions7

Caution

Metra recommends disconnecting the negative battery terminal before beginning any installation. All accessories, switches, and especially air bag indicator lights must be plugged in before reconnecting the battery or cycling the ignition.

**NOTE: Refer Also to the instructions included with the aftermarket radio.*



KNOWLEDGE IS POWER

Enhance your installation and fabrication skills by enrolling in the most recognized and respected mobile electronics school in our industry. Log onto www.installerinstitute.com or call 800-354-6782 for more information and take steps toward a better tomorrow.

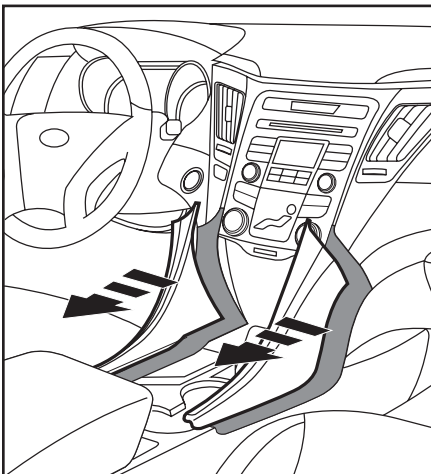


Metra recommends MECP certified technicians

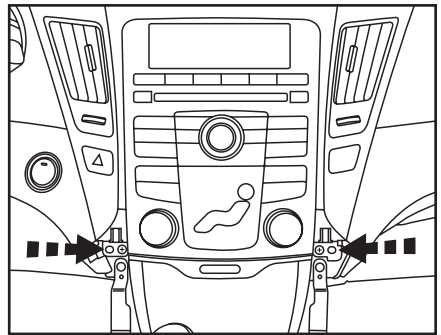
Dash Disassembly

1. Unclip and remove the 2 trim panels surrounding the shifter and pocket. (Figure A)
2. Remove (2) Phillips screws at the bottom left and right side of the radio trim panel. (Figure B)
3. Unclip and remove the radio trim panel including climate control and vents. (Figure C)
4. Remove (4) Phillips screws securing the radio. (Figure D)
5. Remove (4) Phillips screws securing the display then remove the factory brackets from the display. (Figure D)

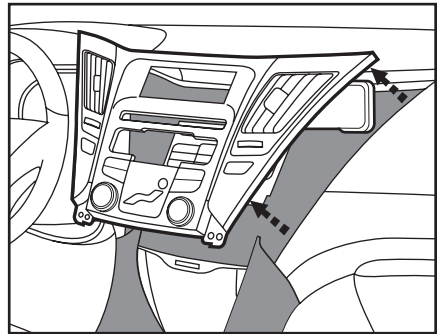
Continued on next page



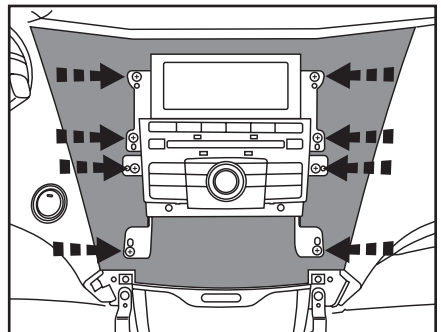
(Figure A)



(Figure B)



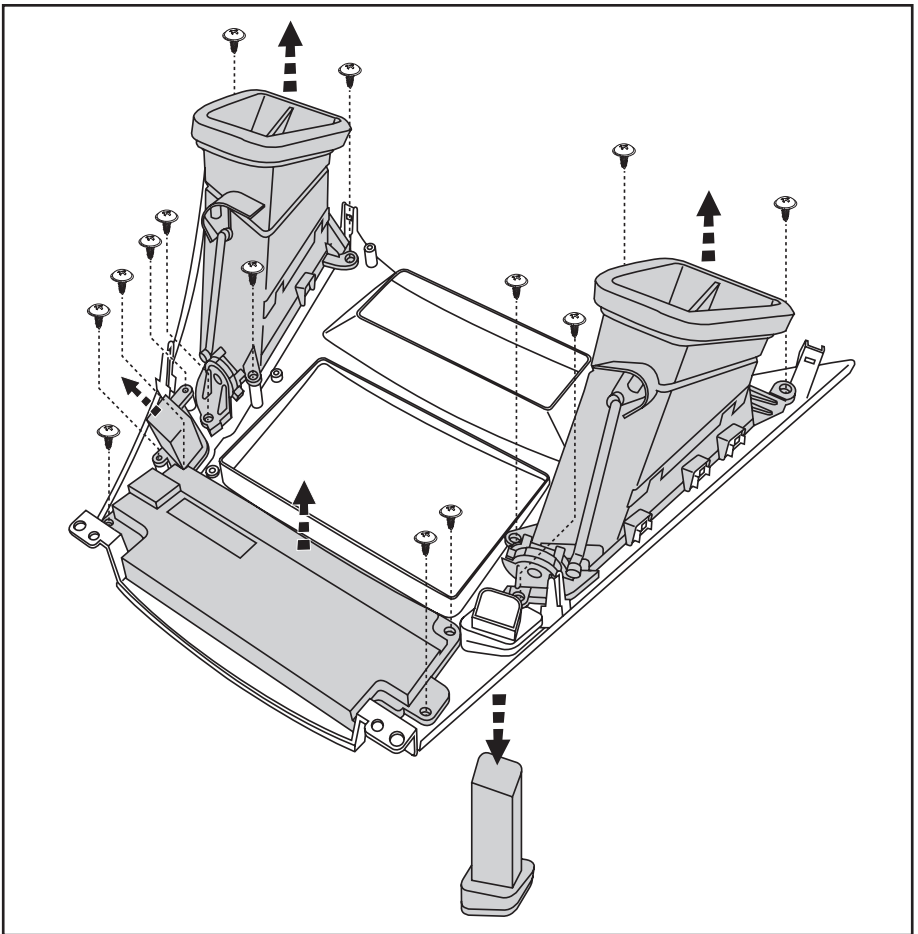
(Figure C)



(Figure D)

Dash Disassembly

6. Unclip and remove the Hazard switch from the radio panel. (Figure E)
7. Remove (2) Phillips screws securing the passenger air bag light assembly. (Figure E)
8. Remove (4) Phillips screws securing the climate control to the radio panel. (Figure E)
9. Remove (8) Phillips screws securing the a/c vents then unclip and remove them from the factory panel. (Figure E)



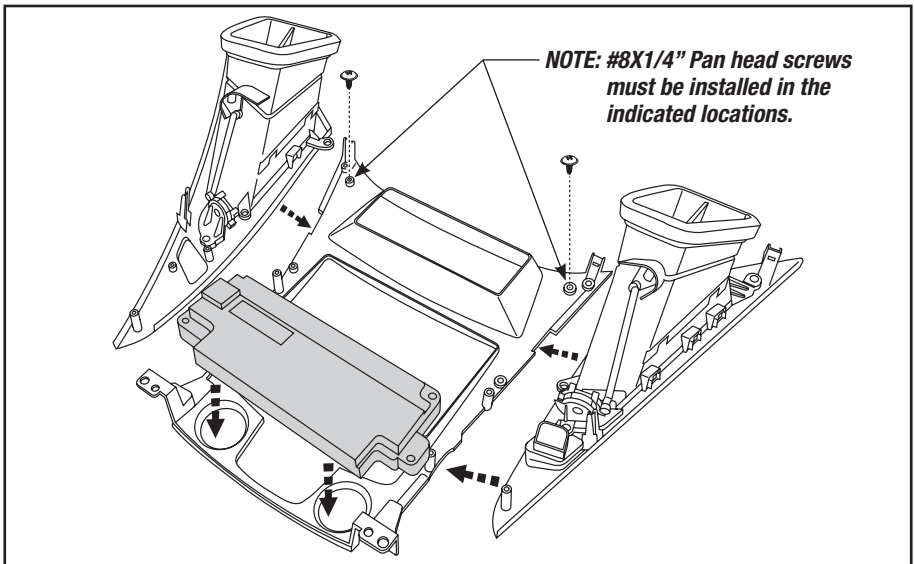
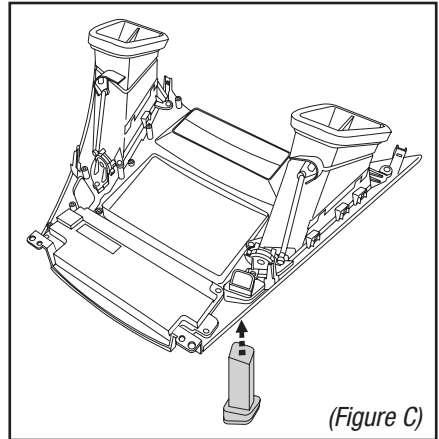
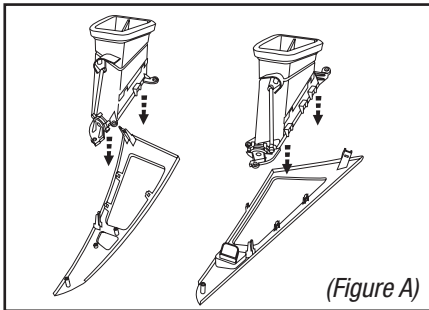
(Figure E)

Kit Assembly

1. Snap the a/c vents into the a/c vent trim panels. (Figure A)
3. Snap the hazard switch into the main radio housing. (Figure C)

2. Attach the left and right a/c vent trim panels and the climate controls to the main radio housing panel using the provided (10) #8X1/2" Phillips screws and (2) #8X1/4" Pan head screws. (Figure B)

Continued on next page

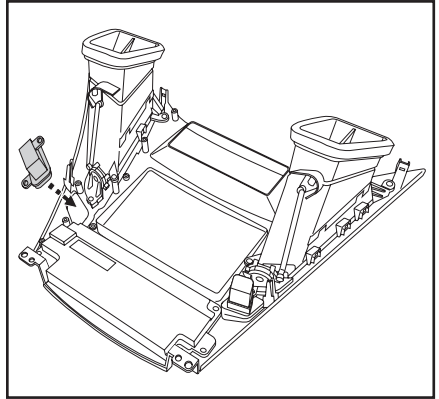


(Figure B)

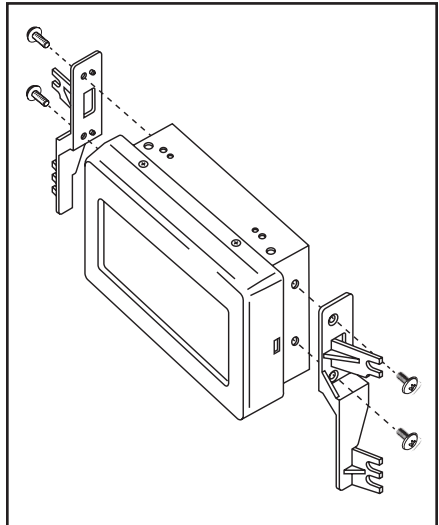
Kit Assembly

4. Attach the passenger air bag light to the main radio housing using (2) #8X1/2" Phillips screws. (Figure A)
5. Attach the display brackets to the display and mount it back into the dash in the factory location. (Figure B)

Continued on next page



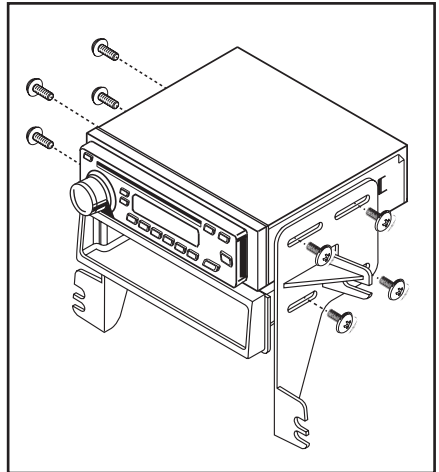
(Figure A)



(Figure B)

ISO DIN head unit provisions

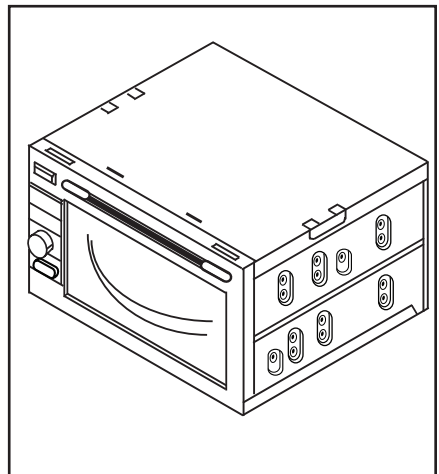
1. Locate the factory wiring harness in the dash. Metra recommends using the proper mating adapter from Metra or AXXESS. Re-connect the negative battery terminal and test the unit for proper operation.
2. Attach the DDIN brackets to the aftermarket radio using the screws supplied with the radio, then secure the assembly to the pocket using the (4) supplied #8 Truss head screws. (Figure A)
3. Mount the assembly into the sub dash.
4. Reassemble dash in reverse order of disassembly.



(Figure A)

Double DIN head unit provisions

1. Locate the factory wiring harness in the dash. Metra recommends using the proper mating adapter from Metra or AXXESS. Re-connect the negative battery terminal and test the unit for proper operation.
2. Attach the Double DIN brackets to the aftermarket radio using the screws supplied with the radio, then mount the unit in the sub dash. (Figure B)
3. Reassemble dash in reverse order of disassembly.



(Figure B)



INSTALLATION INSTRUCTIONS FOR PART 99-7343

REV. 3/16/11

METRA. THE WORLD'S BEST KITS.™



1-800-221-0932



metraonline.com

© COPYRIGHT 2004-2011 METRA ELECTRONICS CORPORATION

Download from www.Somanuals.com. All Manuals Search And Download.

Free Manuals Download Website

<http://myh66.com>

<http://usermanuals.us>

<http://www.somanuals.com>

<http://www.4manuals.cc>

<http://www.manual-lib.com>

<http://www.404manual.com>

<http://www.luxmanual.com>

<http://aubethermostatmanual.com>

Golf course search by state

<http://golfingnear.com>

Email search by domain

<http://emailbydomain.com>

Auto manuals search

<http://auto.somanuals.com>

TV manuals search

<http://tv.somanuals.com>