



## INSTALLATION INSTRUCTIONS FOR PART 95-7339

### APPLICATIONS

# Hyundai Genesis Coupe 2.0 2010-up

(For models equipped with manual climate control)

**95-7339B**

**95-7339S**

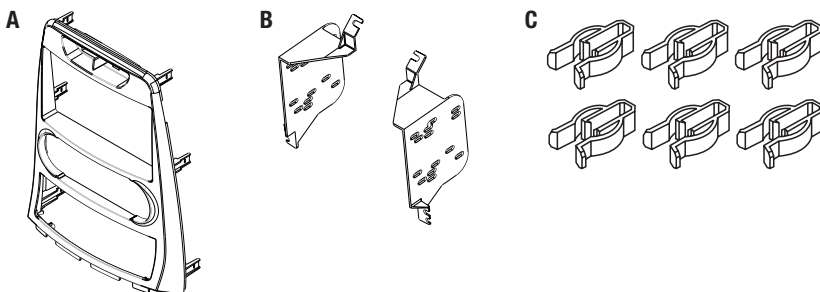
### KIT FEATURES

- DDIN head unit provision
  - ISO stacked head unit provision
  - Painted to match factory finish
- 95-7339B=Black 95-7339S=Silver



### KIT COMPONENTS

- A) Trim Panel
- B) Double DIN brackets
- C) (6) PC-7503 Panel Clips



### WIRING & ANTENNA CONNECTIONS (Sold Separately)

Wiring Harness: • 70-7303 2009-Up Kia/Hyundai Harness

Antenna Adapter: • 40-KI11 2007-Up Kia Antenna Adapter

### TOOLS REQUIRED

Panel Removal Tool • Phillips Screwdriver • Small Flat Blade Screwdriver • Socket Wrench



**METRA. THE WORLD'S BEST KITS.™**



**1-800-221-0932**



**metraonline.com**

© COPYRIGHT 2004-2011 METRA ELECTRONICS CORPORATION

Download from [www.Somanuals.com](http://www.Somanuals.com). All Manuals Search And Download.



95-7339

## Table of Contents

### Dash Disassembly

- Hyundai Genesis Coupe 2.0 2010-up ..... 3

### Kit Preparation

- Hyundai Genesis Coupe 2.0 2010-up ..... 4

### Kit Assembly

- Double DIN/stacked ISO DIN head unit provision .....5

### Caution

***Metra recommends disconnecting the negative battery terminal before beginning any installation. All accessories, switches, and especially air bag indicator lights must be plugged in before reconnecting the battery or cycling the ignition.***

***\*NOTE: Refer also to the instructions included with the aftermarket radio.***



#### KNOWLEDGE IS POWER

Enhance your installation and fabrication skills by enrolling in the most recognized and respected mobile electronics school in our industry. Log onto [www.installerinstitute.com](http://www.installerinstitute.com) or call 800-354-6782 for more information and take steps toward a better tomorrow.

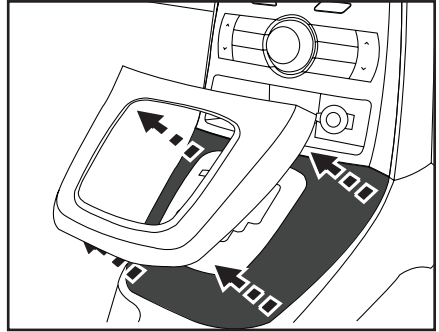


**Metra recommends MECP certified technicians**

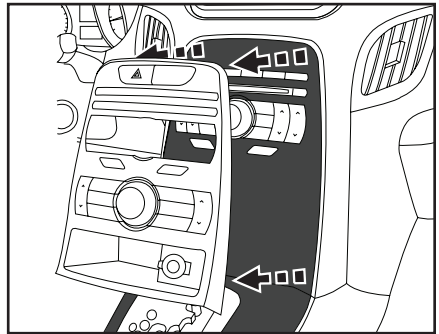
## Dash Disassembly

1. Unclip and remove the shifter trim panel. (Figure A)
2. Unclip and remove the radio/climate control trim panel. (Figure B)
3. Unclip and remove the display trim panel above radio. (Figure C)
4. Remove (4) Phillips screws securing the radio.
5. Remove (4) Phillips screws securing the climate control to the factory trim panel.

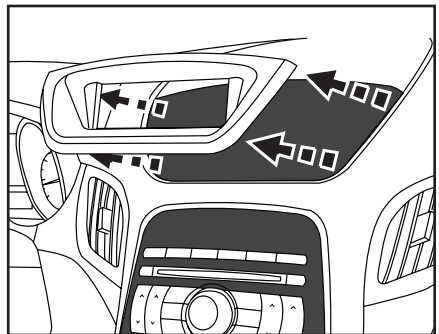
*Continue to kit preparation*



(Figure A)



(Figure B)

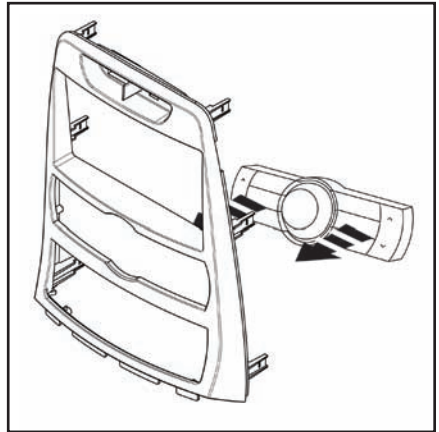


(Figure C)

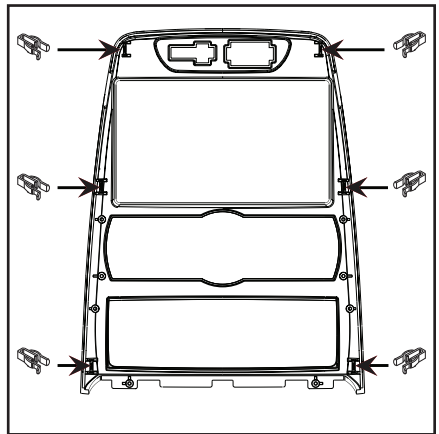
## Kit Preparation

1. Attach the climate control to the 95-7339 trim plate using the factory hardware. (Figure A)
2. Attach the (6) panel clips to the 95-7339 trim plate. (Figure B)

*Continue to kit assembly*



(Figure A)



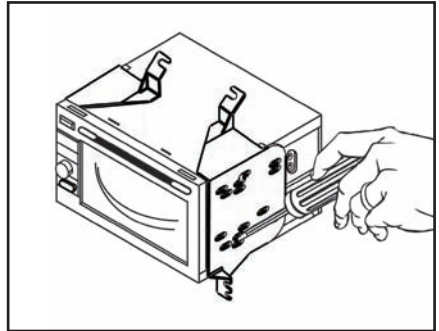
(Figure B)



## Kit Assembly 95-7339

### Double DIN/stacked ISO DIN head unit provision

1. Locate the factory wiring harness in the dash. Metra recommends using the proper mating adapter from Metra or AXCESS. Re-connect the negative battery terminal and test the unit for proper operation.
2. Attach the Double DIN brackets to the aftermarket radio then mount the unit in the sub dash. (Figure A)
3. Reassemble dash in reverse order of disassembly using the 95-7339 trim panel instead of the factory trim panel.



(Figure A)







**INSTALLATION INSTRUCTIONS FOR PART 95-7339**

REV. 5/17/11

**METRA. THE WORLD'S BEST KITS.™**



**1-800-221-0932**



**metraonline.com**

© COPYRIGHT 2004-2011 METRA ELECTRONICS CORPORATION

Download from [www.Somanuals.com](http://www.Somanuals.com). All Manuals Search And Download.



## Free Manuals Download Website

<http://myh66.com>

<http://usermanuals.us>

<http://www.somanuals.com>

<http://www.4manuals.cc>

<http://www.manual-lib.com>

<http://www.404manual.com>

<http://www.luxmanual.com>

<http://aubethermostatmanual.com>

Golf course search by state

<http://golfingnear.com>

Email search by domain

<http://emailbydomain.com>

Auto manuals search

<http://auto.somanuals.com>

TV manuals search

<http://tv.somanuals.com>