



INSTALLATION INSTRUCTIONS FOR PART 99-75115

APPLICATIONS

Mazda 6 2009

99-75115

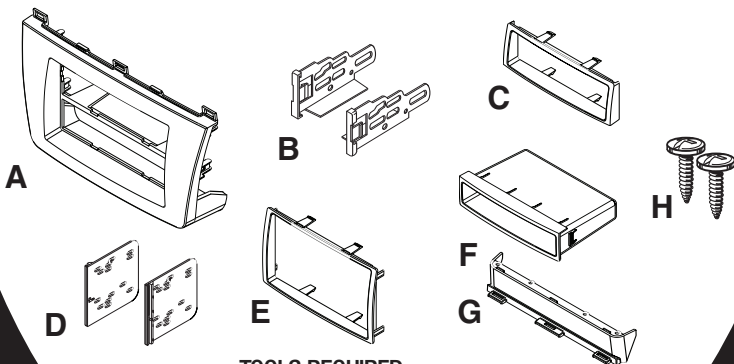
KIT FEATURES

- DIN Radio Provision
- ISO Mount Radio Provision
- Double DIN Radio Provision
- Stacked ISO Mount Radio Provision
- Painted To Match Silver Factory Dash



KIT COMPONENTS

- A) Radio Housing • B) ISO Brackets • C) ISO Trim Plate • D) Double DIN Brackets
- E) Double DIN Trim Plate • F) Pocket • G) Filler Trim Panel • H) (2) #3 3/8" Phillips Screws



TOOLS REQUIRED:

- Small Flat Blade Screwdriver/ Panel Removal Tool
• Phillips Screwdriver • Socket Set



1-800-221-0932



www.metraonline.com

© COPYRIGHT 2009 METRA ELECTRONICS CORPORATION



TABLE OF CONTENTS

Dash Disassembly

- Mazda 6 2009 1

Kit Assembly

- DIN Radio Provision 2

- ISO Mount Radio Provision 3

- Double DIN /Stacked ISO Mount Unit(s) Provision 4

Final Assembly 5

***Note:**

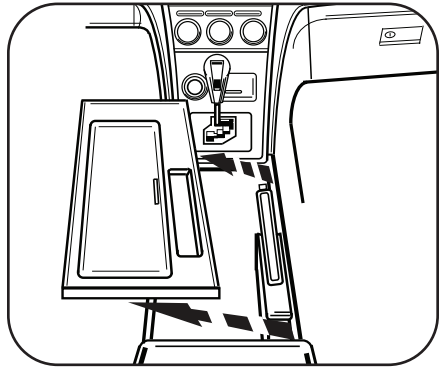
Refer also to the instructions included with the aftermarket radio.

MAZDA 6 2009

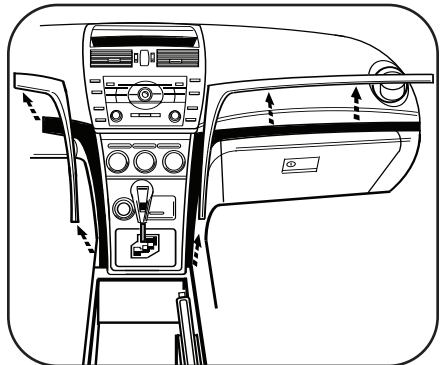
- 1** Disconnect the negative battery terminal to prevent an accidental short circuit.
- 2** Unclip and remove the cup holder/parking brake trim panel. (Figure A)
- 3** Unclip and remove the trim panel above the glove box and down the right side of the center console. (Figure B)
- 4** Unclip and remove the trim panel next to the key switch and down the left side of the center console. (Figure B)
- 5** Unclip and remove the trim panel surrounding the climate controls and the shifter lever. (Figure C)
- 6** Unclip and remove the vent panel above the radio. (Figure D)
- 7** Remove (4) screws securing the factory radio. Unplug and remove the radio.

Continue to kit preparation

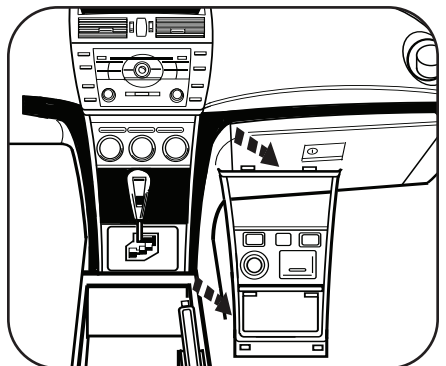
A



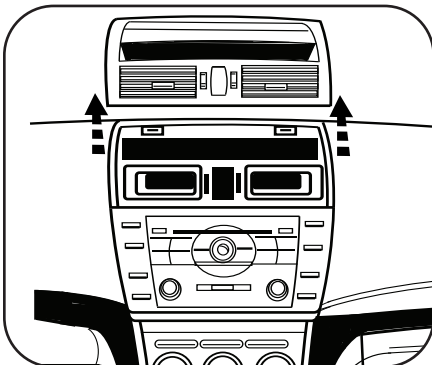
B



C



D

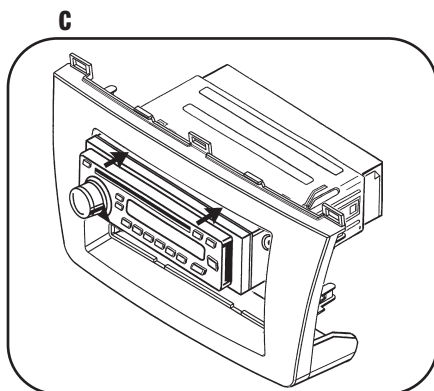
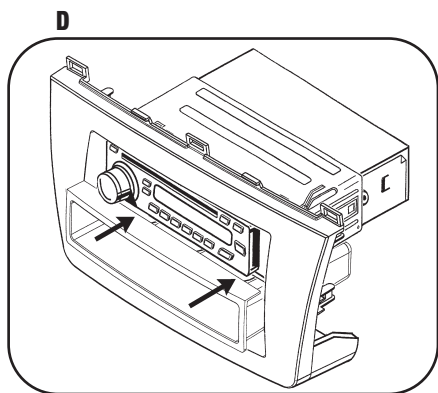
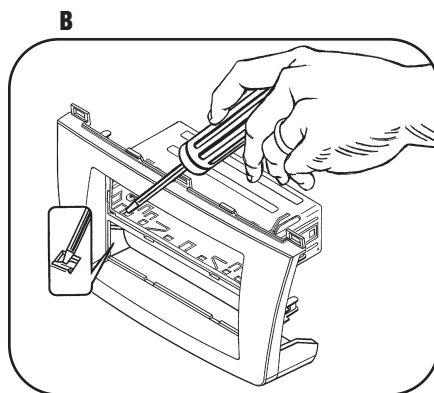
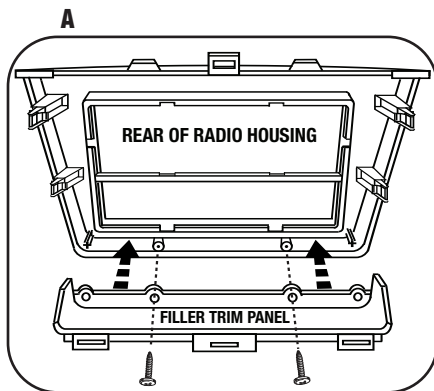


DIN RADIO PROVISION

**Note: Refer also to the instructions included with the aftermarket radio.*

- 1 Attach the filler trim panel to the back of the radio housing at the bottom edge. (Figure A)
- 2 Slide the DIN cage into the Radio Housing and secure by bending the metal locking tabs outward. (Figure B)
- 3 Slide the aftermarket radio into the DIN cage until it snaps into place. (Figure C)
- 4 Snap the pocket into the the bottom opening of the radio housing. (Figure D)

Continue to final assembly.



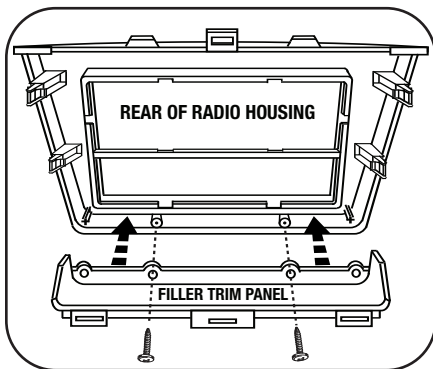
ISO MOUNT RADIO PROVISION

**Note: Refer also to the instructions included with the aftermarket radio.*

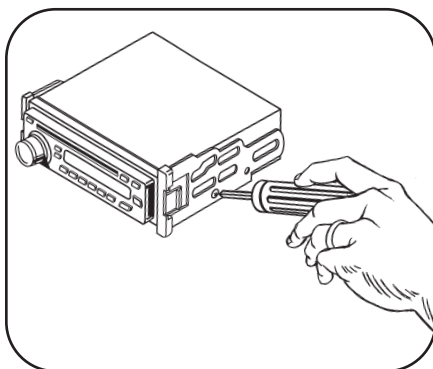
- 1 Attach the filler trim panel to the back of the radio housing at the bottom edge. (Figure A)
- 2 Mount the ISO Brackets to the radio using the screws supplied with the radio. (Figure B)
- 3 Slide the radio into the radio housing until it snaps into place. (Figure C)
- 4 Snap the Trim Plate onto the front of the Radio Housing. (Figure C)
- 5 Snap the pocket into the bottom opening of the radio housing. (Figure D)

Continue to final assembly.

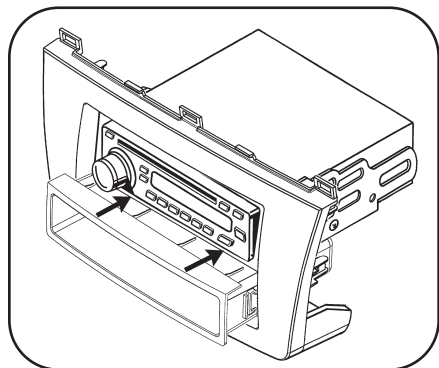
A



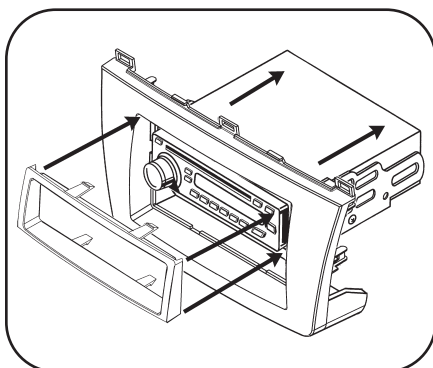
B



D



C



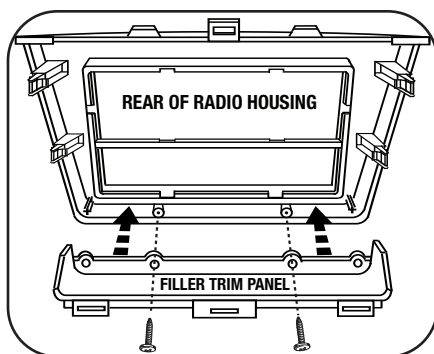
DOUBLE DIN/STACKED ISO MOUNT UNIT(S) PROVISION

**Note: Refer also to the instructions included with the aftermarket radio.*

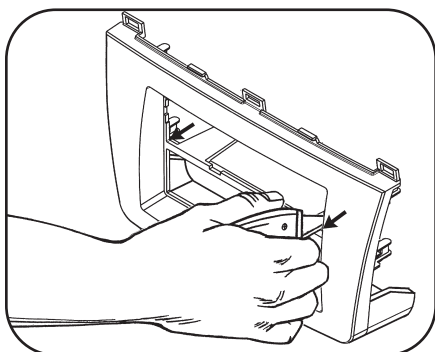
- 1 Attach the filler trim panel to the back of the radio housing at the bottom edge. (Figure A)
- 2 Cut and remove the center bar from the Radio Housing. (Figure B)
- 3 Snap the Double DIN brackets to the inside edge of the Radio Housing. (Figure C)
- 4 Slide the Double DIN or stacked ISO mount unit(s) into the bracket/radio housing assembly and secure to the assembly using the screws supplied with the unit(s). Snap the DDIN Trim Plate onto the front of the Radio Housing. (Figure D)

Continue to final assembly.

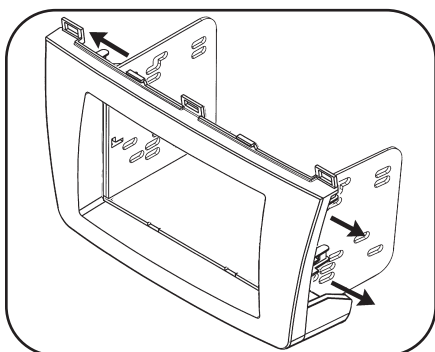
A



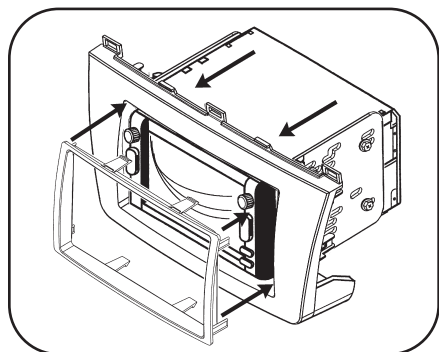
B



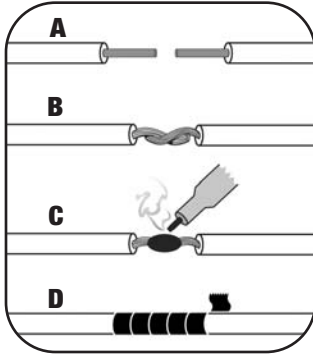
C



D



FINAL ASSEMBLY



(A) Strip wire ends back 1/2"

B) Twist ends together

C) Solder

D) Tape

- 1** Locate the factory wiring harness in the dash. Metra recommends using the proper mating adapter and making connections as shown. (Isolate and individually tape off the ends of any unused wires to prevent electrical short circuit.)
- 2** Re-connect the negative battery terminal and test the unit for proper operation.
- 3** Reassemble radio and dash assemblies in reverse order of disassembly.

FINAL WIRING CONNECTIONS

Make wiring connections using the EIA color code chart shown below and the instructions included with the head unit. Metra recommends making connections as shown below; Strip, Splice, Solder, Tape. Isolate and individually tape off ends of any unused wires to prevent electrical short circuit.

METRA / EIA WIRING CODE

12V Ignition / Acc. Red	Right Front (+) Gray
12V Batt / Memory Yellow	Right Front (-) Gray/ Black
Ground Black*	Left Front (+) White
Power Antenna Blue	Left Front (-) White / Black
Amp Turn-On Blue / White	Right Rear (+) Violet
Amp Ground Black / White	Right Rear (-) Violet / Black
Illumination Orange	Left Rear (+) Green
Dimmer Orange / White	Left Rear (-) Green / Black

***NOTE:** When a Black wire is not present, ground radio to vehicle chassis.

All colors may not be present on all leads due to manufacturer's specifications.

Enjoy your newly installed radio!

99-7511S INSTRUCTIONS



1-800-221-0932



www.metraonline.com

Rev. 01/13/09 © COPYRIGHT 2009 METRA ELECTRONICS CORPORATION NST99-7511S

Free Manuals Download Website

<http://myh66.com>

<http://usermanuals.us>

<http://www.somanuals.com>

<http://www.4manuals.cc>

<http://www.manual-lib.com>

<http://www.404manual.com>

<http://www.luxmanual.com>

<http://aubethermostatmanual.com>

Golf course search by state

<http://golfingnear.com>

Email search by domain

<http://emailbydomain.com>

Auto manuals search

<http://auto.somanuals.com>

TV manuals search

<http://tv.somanuals.com>