



INSTALLATION INSTRUCTIONS FOR PART 95-7953

APPLICATIONS

Suzuki Grand Vitar 2006-2010

95-7953

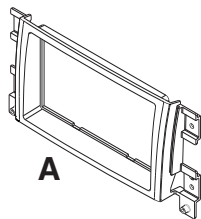
KIT FEATURES

- Double DIN Radio Provision
- Stacked ISO Mount Units Provision

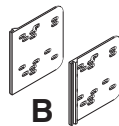


KIT COMPONENTS

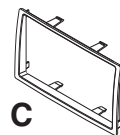
A) Radio Housing • B) Double DIN Brackets • C) Double DIN Trim Plate



A



B



C

WIRING AND ANTENNA CONNECTIONS (Sold Separately)

Wiring Harness:

- 70-1721 - Honda/Acura harness 1998-up

Antenna Adapter:

- Not required

TOOLS REQUIRED:

- Small Flat Blade Screwdriver • Panel Removal Tool
- Phillips Screwdriver • Socket Set



1-800-221-0932  www.metraonline.com

© COPYRIGHT 2004-2010 METRA ELECTRONICS CORPORATION



95-7953

TABLE OF CONTENTS

Dash Disassembly

- Suzuki Grand Vitara 2006-2010. 1

Kit Assembly

- Double DIN Radio Provision 2

- Stacked ISO Mount Units Provision 3

Final Assembly 4

***Note:**

Refer also to the instructions included with the aftermarket radio.



KNOWLEDGE IS POWER

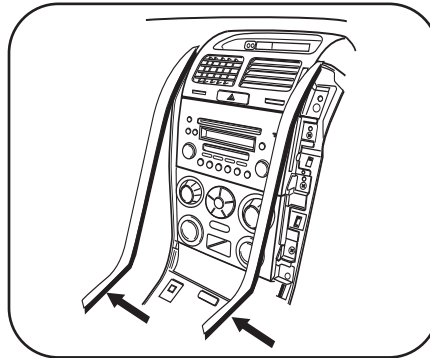
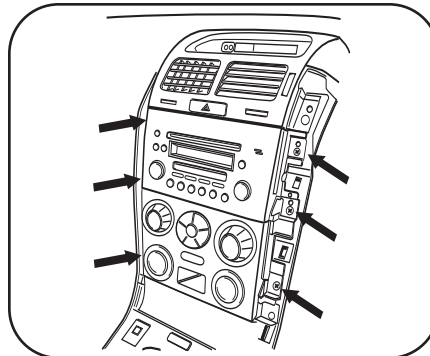
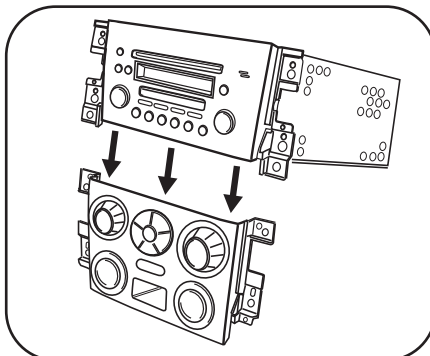
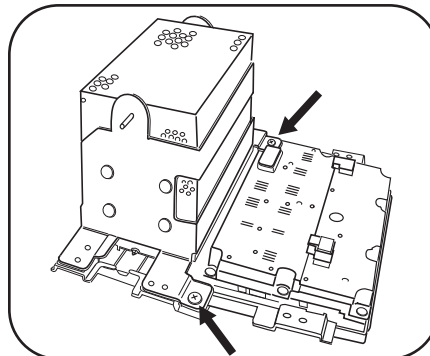
Enhance your installation and fabrication skills by enrolling in the most recognized and respected mobile electronics school in our industry. Log onto www.installerinstitute.com or call 800-354-6782 for more information and take steps toward a better tomorrow.

SUZUKI GRAND VITARA 2006-2010

**Note: Refer also to the instructions included with the aftermarket radio.*

- 1 Disconnect the negative battery-terminal to prevent an accidental short circuit.
- 2 Unclip and remove the (2) outside trim panels. (Figure A)
- 3 Remove (6) Phillips screws securing the radio and climate controls to the sub dash. Unplug and remove radio/climate control assembly. (Figure B)
- 4 Remove the (2) Phillips screws securing the factory radio bracket to the radio/climate control assembly. (Figure C)
- 5 Separate the bracket and factory radio from the climate control. (Figure D)

Continue to kit assembly.

A**B****D****C**



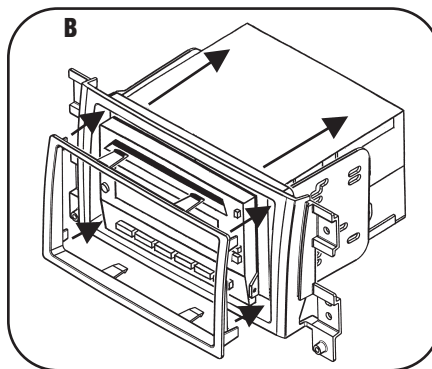
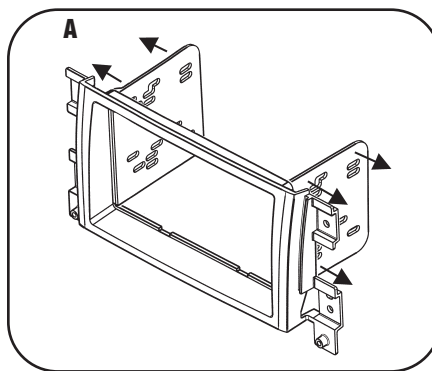
DOUBLE DIN RADIO PROVISION

****Note:** Refer also to the instructions included with the aftermarket radio.*

NOTE: Mount the radio housing to the climate control assembly using the factory screws removed in step 4 of dash disassembly.

- 1** Snap the Double DIN brackets to the inside edge of the Double DIN trim plate. (Figure A)
- 2** Slide the Double DIN radio into the bracket/trim plate assembly and secure the radio to the assembly using the screws supplied with the radio. (Figure B)
- 3** Snap the Double DIN trim plate onto the front of the housing/radio assembly. (Figure B)

Continue to final assembly.





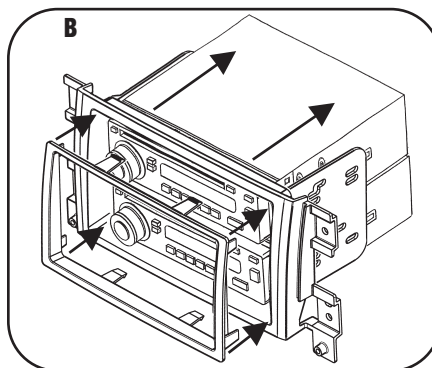
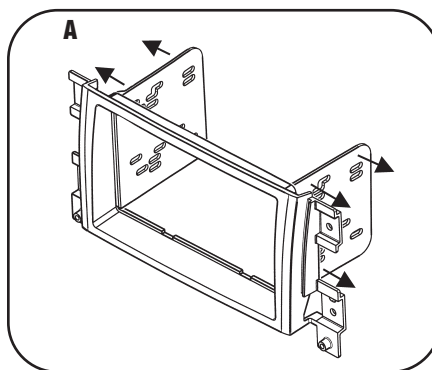
STACKED ISO MOUNT UNITS PROVISION

**Note: Refer also to the instructions included with the aftermarket radio.*

NOTE: Mount the radio housing to the climate control assembly using the factory screws removed in step 4 of dash disassembly.

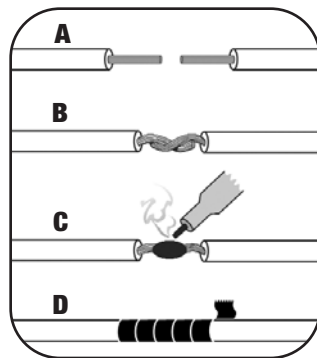
- 1 Snap the Double DIN brackets to the inside edge of the Double DIN trim plate. (Figure A)
- 2 Slide the stacked ISO units into the bracket/radio housing assembly and secure the units to the kit using the screws supplied with the units. (Figure B)
- 3 Snap the Double DIN trim plate onto the front of the housing/radio assembly. (Figure B)

Continue to final assembly.





FINAL ASSEMBLY



(A) Strip wire ends back 1/2"

B) Twist ends together

C) Solder

D) Tape

- 1 Locate the factory wiring harness in the dash. Metra recommends using the proper mating adapter and making connections as shown. (Isolate and individually tape off the ends of any unused wires to prevent electrical short circuit.)
- 2 Re-connect the negative battery terminal and test the unit for proper operation.
- 3 Reassemble radio and dash assemblies in reverse order of disassembly.

FINAL WIRING CONNECTIONS

Make wiring connections using the EIA color code chart shown below and the instructions included with the head unit. Metra recommends making connections as shown below; Strip, Splice, Solder, Tape. Isolate and individually tape off ends of any unused wires to prevent electrical short circuit.

METRA / EIA WIRING CODE

12V Ignition / Acc.	Red	Right Front (+)	Gray
12V Batt / Memory	Yellow	Right Front (-)	Gray/ Black
Ground	Black*	Left Front (+)	White
Power Antenna	Blue	Left Front (-)	White / Black
Amp Turn-On	Blue / White	Right Rear (+)	Violet
Amp Ground	Black / White	Right Rear (-)	Violet / Black
Illumination	Orange	Left Rear (+)	Green
Dimmer	Orange / White	Left Rear (-)	Green / Black

***NOTE:** When a Black wire is not present, ground radio to vehicle chassis.
All colors may not be present on all leads due to manufacturer's specifications.

95-7953 INSTRUCTIONS



1-800-221-0932



www.metraonline.com

REV. 04/26/10 © COPYRIGHT 2004-2010 METRA ELECTRONICS CORPORATION INST95-8211

Free Manuals Download Website

<http://myh66.com>

<http://usermanuals.us>

<http://www.somanuals.com>

<http://www.4manuals.cc>

<http://www.manual-lib.com>

<http://www.404manual.com>

<http://www.luxmanual.com>

<http://aubethermostatmanual.com>

Golf course search by state

<http://golfingnear.com>

Email search by domain

<http://emailbydomain.com>

Auto manuals search

<http://auto.somanuals.com>

TV manuals search

<http://tv.somanuals.com>