



## INSTALLATION INSTRUCTIONS FOR PART 95-7427

### APPLICATIONS

**Nissan Maxima 2009-11**  
**w/o Navigation or Technology Package**

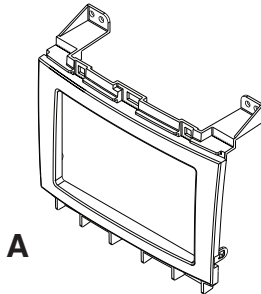
**95-7427B/**  
**95-7427G**

#### KIT FEATURES

- Double DIN Radio Provision
- Stacked ISO Mount Units Provision
- PAINTED TO MATCH FACTORY DASH:  
95-7427B=BLACK, 95-7427G=GRAY
- Textured To Match Factory Dash

#### KIT COMPONENTS

- A) Double DIN Radio Housing



A

#### TOOLS REQUIRED:

- Small Flat Blade Screwdriver/ Panel Removal Tool
- Phillips Screwdriver



1-800-221-0932



[www.metraonline.com](http://www.metraonline.com)

© COPYRIGHT 2010 METRA ELECTRONICS CORPORATION



**TABLE OF CONTENTS**

**Dash Disassembly**

**- Nissan Maxima 2009-11 ..... 1**

**Kit Assembly**

**- Double DIN Radio Provision / Stacked ISO Mount Units Provision ..... 2**

**Final Assembly ..... 3**

**\*Note:**

**Refer also to the instructions included with the aftermarket radio.**



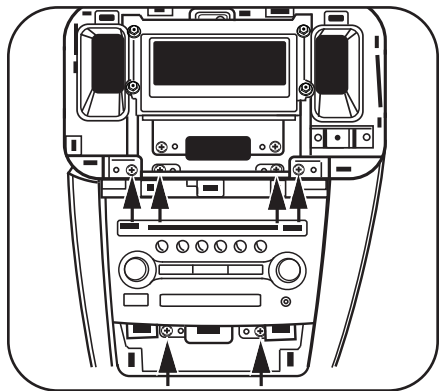
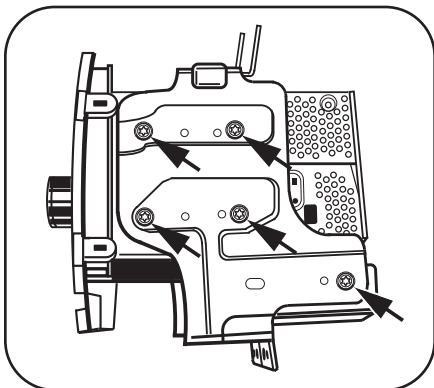
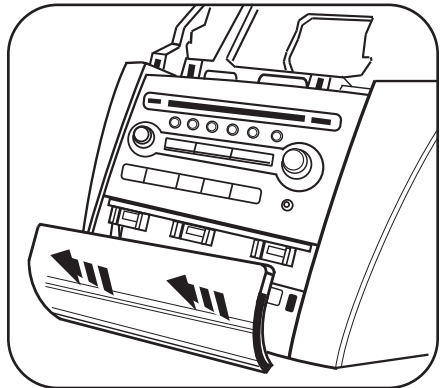
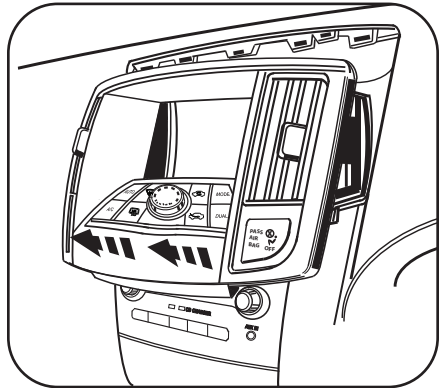
**KNOWLEDGE IS POWER**

Enhance your installation and fabrication skills by enrolling in the most recognized and respected mobile electronics school in our industry. Log onto [www.installerinstitute.com](http://www.installerinstitute.com) or call 800-354-6782 for more information and take steps toward a better tomorrow.

## NISSAN MAXIMA 2009-11

- 1** Disconnect the negative battery terminal to prevent an accidental short circuit.
- 2** Unclip and remove the panel above the radio including the a/c vents and the climate controls. Unplug and remove the panel. (Figure A)
- 3** Unclip and remove the panel below the radio. (Figure B)
- 4** Remove (6) Phillips screws securing the radio. Unplug and remove the radio. (Figure C)
- 5** Remove (5) Torx head screws securing each side bracket to factory radio and remove brackets and module. (Retain brackets, module and (2) screws from module for re-use during kit assembly.) (Figure D)

*Continued on page 2.*

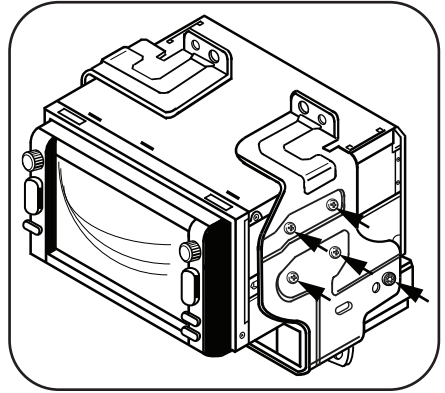


## **DOUBLE DIN RADIO PROVISION OR STACKED ISO MOUNT UNIT(S) PROVISION**

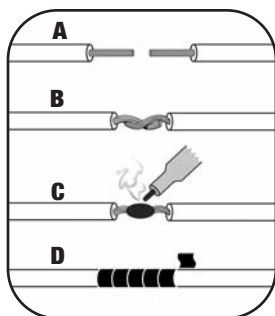
*\*Note: Refer also to the instructions included with the aftermarket radio.*

- 1** Attach the factory brackets and module to the Double DIN or stacked ISO mount unit(s) with the screws supplied with the unit(s) and (2) screws from

*Continue to final assembly.*



# FINAL ASSEMBLY



**(A) Strip wire ends back 1/2"**

**B) Twist ends together**

**C) Solder**

**D) Tape**

- 1 Locate the factory wiring harness in the dash. Metra recommends using the proper mating adapter and making the connections as shown. (Isolate and individually tape off the ends of any unused wires to prevent electrical short circuit).
- 2 Re-connect the negative battery terminal and test the unit for proper operation.
- 3 Position the factory bracket/aftermarket radio assembly into the dash and secure using the factory hardware.
- 4 Secure the Double DIN radio housing to the sub dash using the factory hardware.
- 5 Reassemble the rest of the dash in reverse order of disassembly.

Make wiring connections using the EIA color code chart shown below and the instructions included with the head unit. Metra recommends making connections shown below; Strip, Splice, Solder, Tape. Isolate and individually tape off ends of any unused wires to prevent electrical short

## METRA / EIA WIRING CODE

12V Ignition / Acc. . . . . Red	Right Front (+) . . . . . Gray
12V Batt / Memory. . . . . Yellow	Right Front (-). . . . . Gray/ Black
Ground. . . . . Black*	Left Front (+) . . . . . White
Power Antenna. . . . . Blue	Left Front (-). . . . . White / Black
Amp Turn-On . . . . . Blue / White	Right Rear (+) . . . . . Violet
Amp Ground. . . . . Black / White	Right Rear (-). . . . . Violet / Black
Illumination . . . . . Orange	Left Rear (+) . . . . . Green
Dimmer . . . . . Orange / White	Left Rear (-). . . . . Green / Black

**\*NOTE: When a Black wire is not present, ground radio to vehicle chassis. All colors may not be present on all leads due to manufacturer's specifications.**





# 95-7427 INSTRUCTIONS



**1-800-221-0932**



**[www.metraonline.com](http://www.metraonline.com)**

REV. 10-06-10 © COPYRIGHT 2004-2010 METRA ELECTRONICS CORPORATION INST95-7427



## Free Manuals Download Website

<http://myh66.com>

<http://usermanuals.us>

<http://www.somanuals.com>

<http://www.4manuals.cc>

<http://www.manual-lib.com>

<http://www.404manual.com>

<http://www.luxmanual.com>

<http://aubethermostatmanual.com>

Golf course search by state

<http://golfingnear.com>

Email search by domain

<http://emailbydomain.com>

Auto manuals search

<http://auto.somanuals.com>

TV manuals search

<http://tv.somanuals.com>