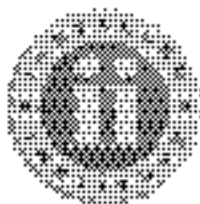


*** IMPORTANT WARNING**

THIS PRODUCT INCLUDES INSTRUCTIONS FOR INSTALLATION WHICH MUST BE CAREFULLY FOLLOWED. THE INSTRUCTIONS ARE WORDED IN SUCH A MANNER TO ASSUME THAT THE INSTALLER IS CAPABLE OF COMPLETING THESE TYPE OF ELECTRONIC INSTALLATIONS. IF YOU ARE UNCLEAR AS TO WHAT YOU ARE INSTRUCTED TO DO OR BELIEVE THAT YOU DO NOT UNDERSTAND THE INSTRUCTIONS SO AS TO PROPERLY AND SAFELY COMPLETE THE INSTALLATION YOU SHOULD CONSULT A TECHNICIAN WHO DOES HAVE THIS KNOWLEDGE AND UNDERSTANDING. FAILURE TO FOLLOW THESE INSTRUCTIONS CAREFULLY AND TO INSTALL THE INTERFACE AS DESCRIBED COULD CAUSE HARM TO THE VEHICLE OR TO SAFETY SYSTEMS ON THE VEHICLE. INTERFERENCE WITH CERTAIN SAFETY SYSTEMS COULD CAUSE HARM TO PERSONS AS WELL. IF YOU HAVE ANY QUESTIONS IN THIS REGARD PLEASE CALL THE HELP LINE OR THE METRA AT 1-800-221-0932 FOR ASSISTANCE.

**KNOWLEDGE IS POWER**

Maximize your installation and satisfaction skills by applying to the most knowledgeable and connected mobile electronics retailer in your industry. Log onto www.axcessinterface.com or call 800-221-0932 for more information and take advantage of our free literature.



LC-GMRC-LAN-01 INSTALLATION INSTRUCTIONS

*** READ IMPORTANT WARNING ON PAGE 1
BEFORE ATTEMPTING ANY INSTALLATION**

The LC-GMRC-LAN-01 is designed to be used in non-amplified GM vehicles or in vehicles that the OEM amplifier has been bypassed; Onstar is not retained in either case. The LC-GMRC-LAN-01 retains all the factory warning chimes that would be lost when the OEM radio is removed. It will also provide a 3 amp 12 volt switched accessory for proper radio operation, and retain the R.A.P. (Retained Accessory Power) feature if equipped.

SEE INSIDE FOR APPLICATIONS**INTERFACE COMPONENTS**

- Interface
- Harness

LC-GMRC-LAN-01

TOOLS REQUIRED FOR INSTALLATION

- Cutting Tool • Tape • Crimping Tool
- Connectors (ie: butt-connectors, bell caps, etc.)

APPLICATIONS

APPLICATIONS

BUICK	Enclave	2007 - 09
BUICK	Lucerne	2006 - 09
CADILLAC	DTS	2006 - 09
CADILLAC	SRX	2007 - 09
CHEVROLET	Avalanche	2007 - 09
CHEVROLET	Equinox	2007 - 09
CHEVROLET	Express van (full size)	2008 - 10
CHEVROLET	Impala	2006 - 07
CHEVROLET	Monte Carlo	2006 - 07
CHEVROLET	Silverado Pickup (New Body)	2007 - 09
CHEVROLET	Suburban	2007 - 09
CHEVROLET	Tahoe	2007 - 09
CHEVROLET	Traverse	2009 - 10
GMC	Acadia	2007 - 09
GMC	Savanna Full Size Van	2008 - 09
GMC	Sierra (New Body)	2007 - 09
GMC	Yukon XL / Denali	2007 - 09
GMC	Yukon	2007 - 09
PONTIAC	Torrent	2007 - 09
SATURN	Outlook	2007 - 09
SATURN	VUE	2008 - 09
SUZUKI	XL-7	2007 - 09

WIRE CONNECTIONS TO BE MADE

*** Important:** Before beginning any of the following, disconnect the negative battery terminal to prevent accidental short circuit.

1. Connect the **Yellow** wire to the radios constant/memory wire.
2. Connect the **Red** wire to the radios accessory wire.
3. Connect the **Black** wire to the radios ground wire.
4. Connect the **Blue** wire to the radios antenna turn on.
5. Connect the **White** wire to the radios left front (+) speaker wire.
6. Connect the **White/Black** wire to the radios left front (-) speaker wire.
7. Connect the **Gray** wire to the radios right front (+) speaker wire.
8. Connect the **Gray/Black** wire to the radios right front (-) speaker wire.
9. Connect the **Green** wire to the radios left rear (+) speaker wire.
10. Connect the **Green/Black** wire to the radios left rear (-) speaker wire.
11. Connect the **Purple** wire to the radios right rear (+) speaker wire.
12. Connect the **Purple/Black** wire to the radios right rear (-) speaker wire.

INSTALLING THE LC-GMRC-LAN-01

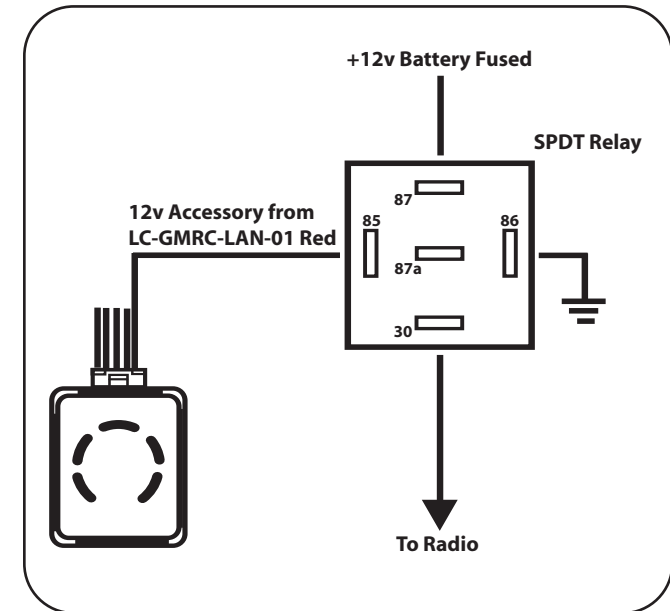
1. With all connections completed reconnect the negative battery terminal.
2. Plug the LC-GMRC-LAN-01 into the vehicle and into the radio.
3. Cycle the key by turning the ignition on then back off, then on again.

TESTING THE LC-GMRC-LAN-01

1. Turn the radio on and test for proper balance and fader operation.
2. Close the doors then turn the key off. The radio should stay on until the driver's door is open.

NOTE: If the radio you are installing requires more than 3 amps on the accessory wire, or you are adding another accessory to the wire (hardwire radar detector, etc...) then a relay will be needed to supply the additional current.

See the diagram below to properly add a relay:



Free Manuals Download Website

<http://myh66.com>

<http://usermanuals.us>

<http://www.somanuals.com>

<http://www.4manuals.cc>

<http://www.manual-lib.com>

<http://www.404manual.com>

<http://www.luxmanual.com>

<http://aubethermostatmanual.com>

Golf course search by state

<http://golfingnear.com>

Email search by domain

<http://emailbydomain.com>

Auto manuals search

<http://auto.somanuals.com>

TV manuals search

<http://tv.somanuals.com>