



## INSTALLATION INSTRUCTIONS FOR PART 95-7321

### APPLICATIONS

**Hyundai Accent 2006-2010**  
**Kia Rio / RIO 5 2006-2010**  
**Kia Sportage 2005-2010**

# 95-7321

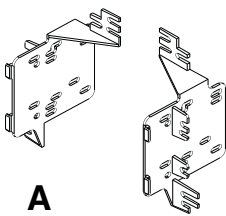


### KIT FEATURES

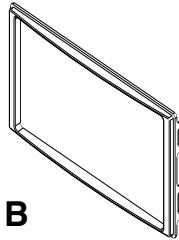
- DDIN Head Unit Provision
- ISO Stacked Head Unit Provision

### KIT COMPONENTS

A) DDIN Brackets    B) DDIN Trim Plate



**A**



**B**

### WIRING AND ANTENNA CONNECTIONS (Sold Separately)

#### HARNESS:

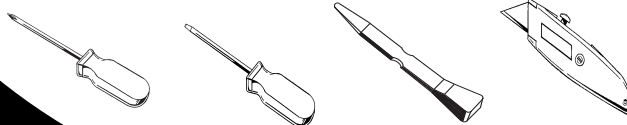
- 70-7303 - Hyundai / Kia Harness 2009
- 70-1004 - Hyundai 2006-up/KIA harness 2004-up

#### ANTENNA ADAPTER:

- 40-K11 - KIA antenna adapter 2007-up
- 40-K10 - KIA antenna adapter 2007-up

### TOOLS REQUIRED:

Phillips Screwdriver • Small Flat Blade Screwdriver • Panel Removal Tool • Cutting Tool



**METRA. THE WORLD'S BEST KITS.™**



**1-800-221-0932**



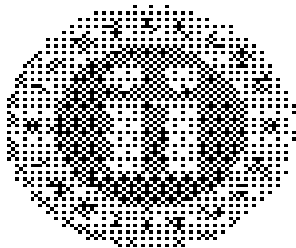
**www.metraonline.com**

© COPYRIGHT 2010 METRA ELECTRONICS CORPORATION

# TABLE OF CONTENTS

---

<b><i>Dash Disassembly</i></b> .....	<b>1-2</b>
<b><i>Kit Preparation</i></b> .....	<b>3</b>
<b><i>Kit Assembly</i></b> .....	<b>4</b>



## **KNOWLEDGE IS POWER**

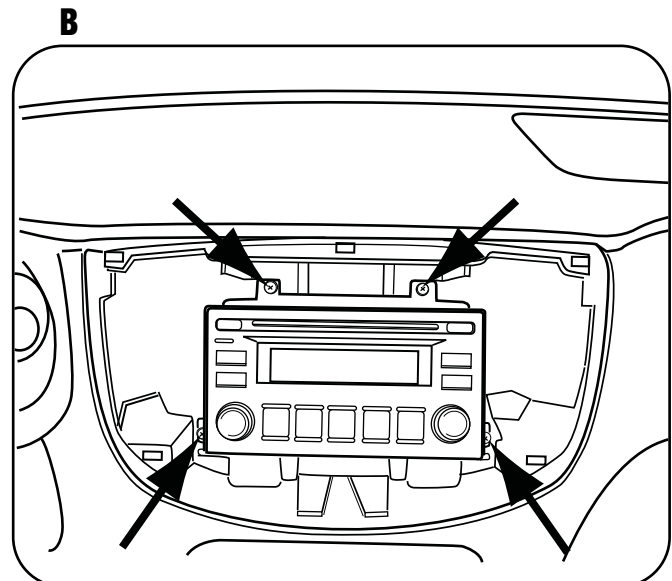
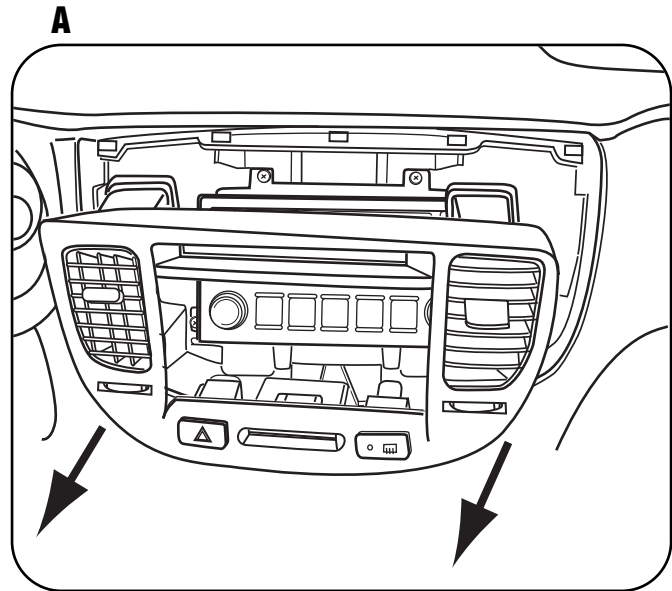
Increase your installation and satisfaction skills by enrolling in the most recognized and respected mobile electronics training program in the industry. Log on to [www.metradirect.com](http://www.metradirect.com) or call 800-889-8887 for more information and save steps toward a better tomorrow.



Metra recommends MECP certified technicians

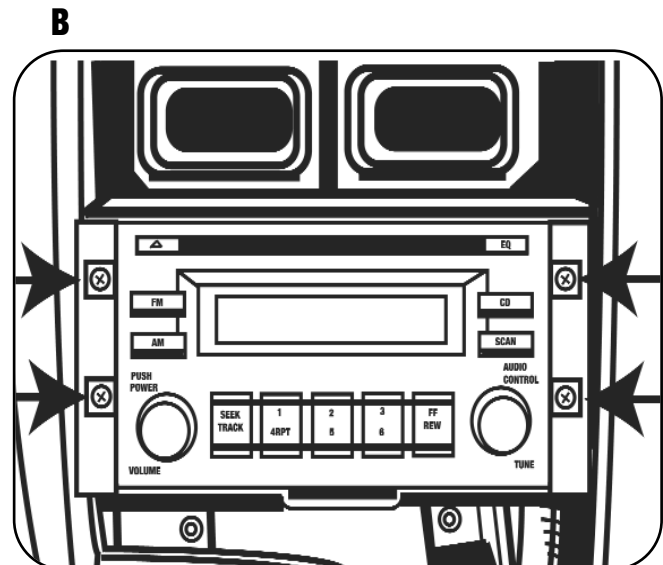
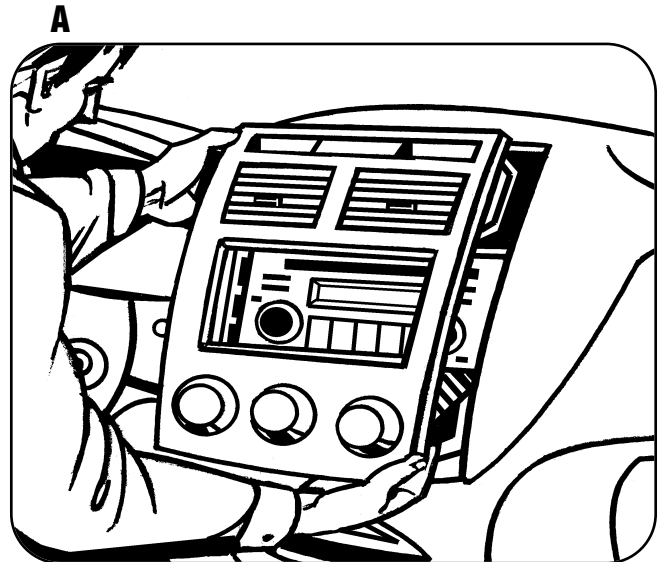
**HYUNDAI ACCENT 2006-2010**  
**KIA RIO / RIO 5 2006-2010**

- 1** Disconnect the negative battery terminal to prevent an accidental short circuit.
- 2** Unclip and remove the trim panel surrounding the radio and including the a/c vents. (Figure A)
- 3** Remove (4) Phillips screws securing the radio. (Figure B)

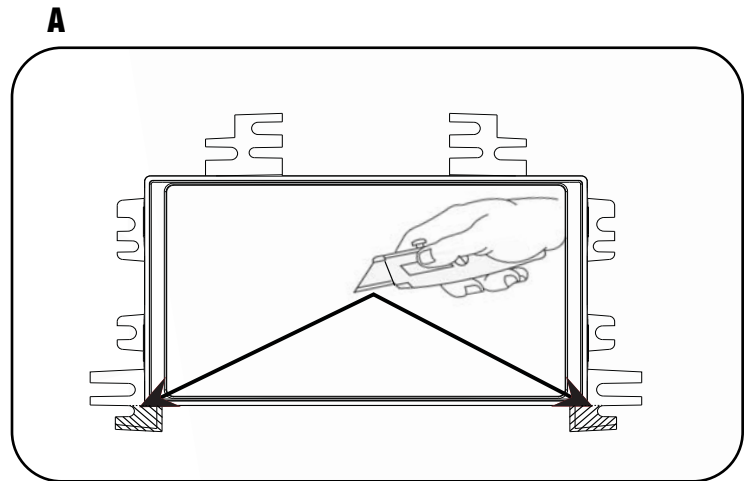


## KIA SPORTAGE 2005-2010

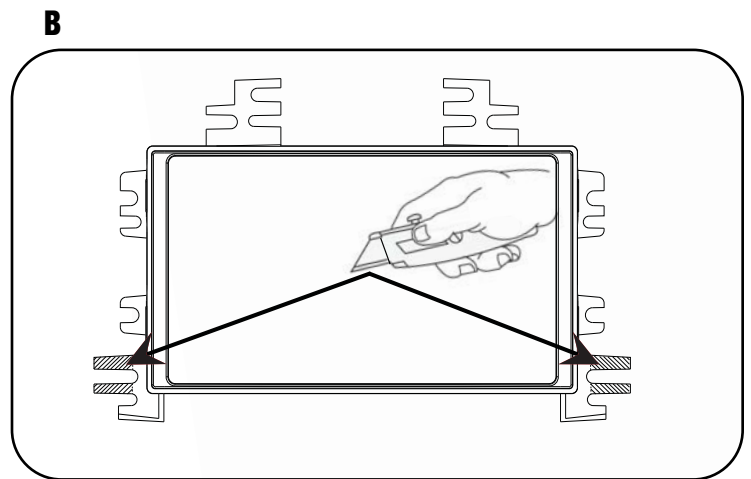
- 1 Disconnect the negative battery terminal to prevent an accidental short circuit.
- 2 Unclip and remove the entire panel surrounding the radio and including the A/C controls. **Note: Start at bottom of panel.** (Figure A)
- 3 Remove (4) Phillips screws to extract radio from dash. (Figure B)



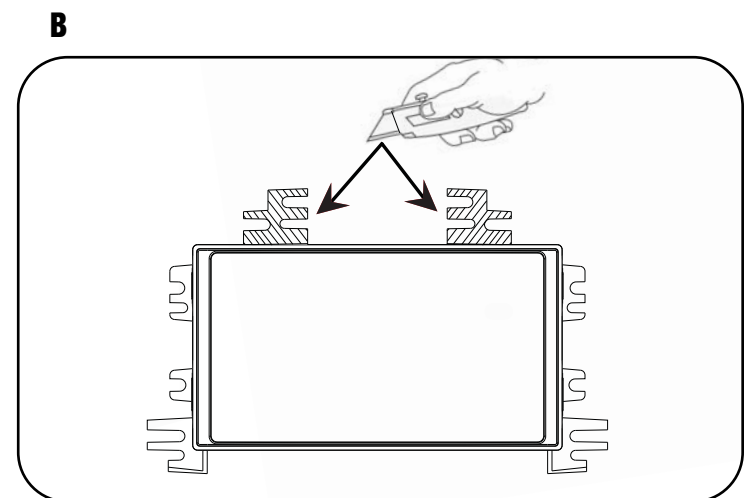
- 1 HYUNDAI ACCENT:** Cut and remove shaded areas. (Figure A)



- 2 KIA RIO:** Cut and remove shaded areas. (Figure B)

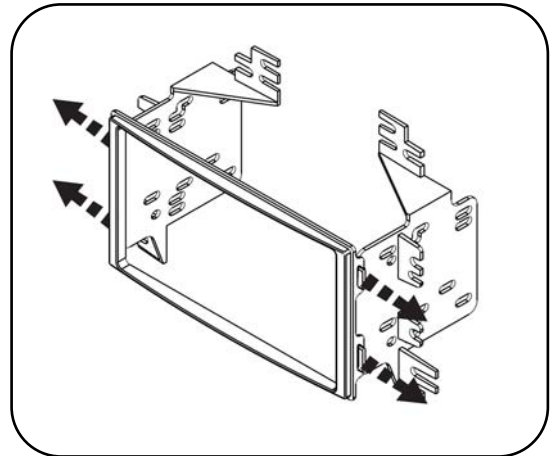
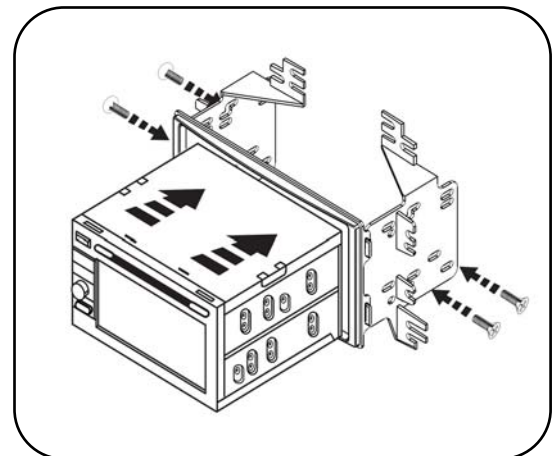


- 3 KIA SPORTAGE:** Cut and remove shaded areas. (Figure C)



## **DOUBLE DIN / STACKED ISO DIN** **HEAD UNIT PROVISION**

- 1** Locate the factory wiring harness in the dash. Metra recommends using the proper mating adapter from Metra or AXCESS. Re-connect the negative battery terminal and test the unit for proper operation.
- 2** Attach the Double DIN brackets to the inside edge of the Double DIN trim plate. (Figure A)
- 3** Slide the Double DIN head unit or stacked ISO head units into the bracket/radio housing assembly and secure the Double DIN head unit or stacked ISO head units to the assembly using the screws supplied with the radio. (Figure B)
- 4** Reassemble dash in reverse order of disassembly.

**A****B**



# 95-7321 INSTRUCTIONS

**METRA. THE WORLD'S BEST KITS.™**



**1-800-221-0932**



**[www.metraonline.com](http://www.metraonline.com)**

REV. 04/26/10

© COPYRIGHT 2010 METRA ELECTRONICS CORPORATION

INST95-7321



## Free Manuals Download Website

<http://myh66.com>

<http://usermanuals.us>

<http://www.somanuals.com>

<http://www.4manuals.cc>

<http://www.manual-lib.com>

<http://www.404manual.com>

<http://www.luxmanual.com>

<http://aubethermostatmanual.com>

Golf course search by state

<http://golfingnear.com>

Email search by domain

<http://emailbydomain.com>

Auto manuals search

<http://auto.somanuals.com>

TV manuals search

<http://tv.somanuals.com>