



## INSTALLATION INSTRUCTIONS FOR PART 99-7502

### APPLICATIONS

# Mazda MPV 2000-2006

# 99-7502

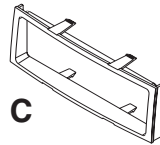
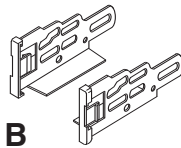
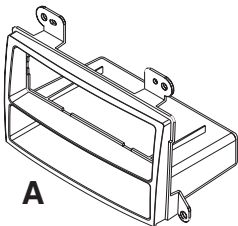


#### KIT FEATURES

- DIN Mount Radio Provision
- ISO Mount Radio Provision

#### KIT COMPONENTS

A) Radio Housing • B) ISO Snap In Brackets • C) Trim Plate



#### TOOLS REQUIRED:

- Small Flat Blade Screwdriver/ Panel Removal Tool
- Phillips Screwdriver



1-800-221-0932



[www.metraonline.com](http://www.metraonline.com)

© COPYRIGHT 2004 METRA ELECTRONICS CORPORATION



**TABLE OF CONTENTS**

**Dash Disassembly**

**- Mazda MPV 2000-2006 ..... 1**

**Kit Assembly**

**- DIN Mount Radio Provision ..... 2**

**- ISO DIN Mount Radio Provision ..... 3**

**Final Assembly ..... 4**

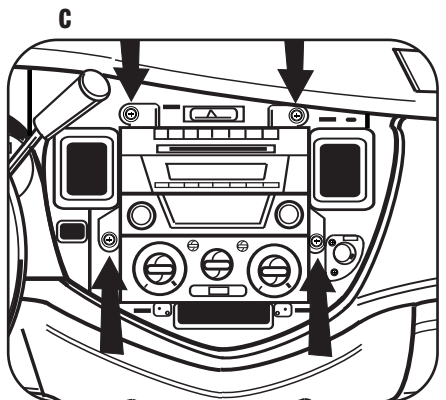
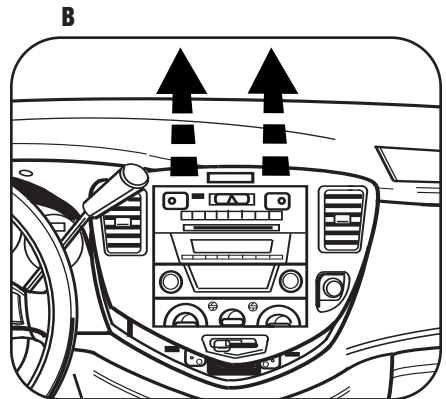
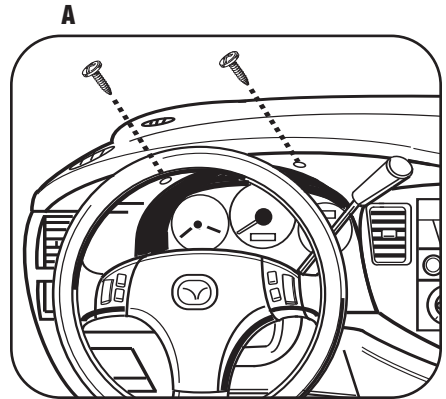
**\*Note:**

**Refer also to the instructions included with the aftermarket radio.**

## MAZDA MPV 2000-2006

- 1** Disconnect the negative battery terminal to prevent an accidental short circuit.
- 2** Remove (2) Phillips head screws from above instrument cluster. (Figure A)
- 3** Unclip and remove the radio trim panel. (Figure B)
- 4** Remove (4) Phillips screws securing the radio. Unplug and remove radio. (Figure C)

*Continue to kit assembly.*



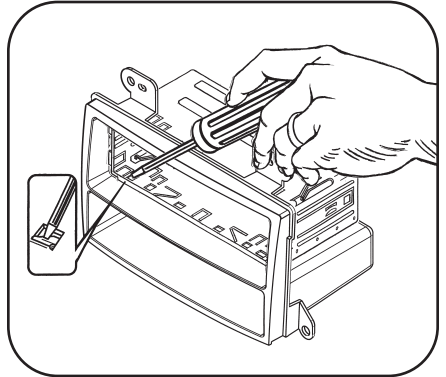
## DIN MOUNT RADIO PROVISION

*\*Note: Refer also to the instructions included with the aftermarket radio.*

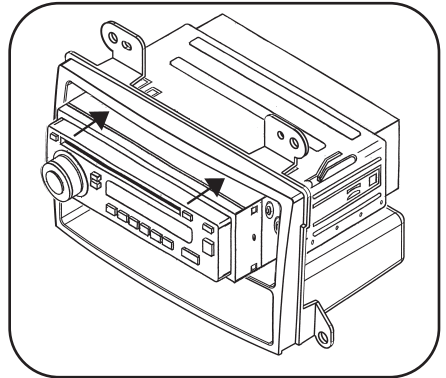
- 1 Slide the DIN cage into the Radio Housing and secure by bending the metal locking tabs outward. (Figure A)
- 2 Slide the aftermarket radio into the cage until it snaps into place. (Figure B)

*Continue to final assembly.*

**A**



**B**



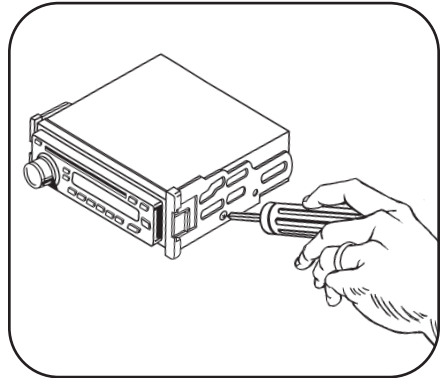
## ISO DIN MOUNT RADIO PROVISION

*\*Note: Refer also to the instructions included with the aftermarket radio.*

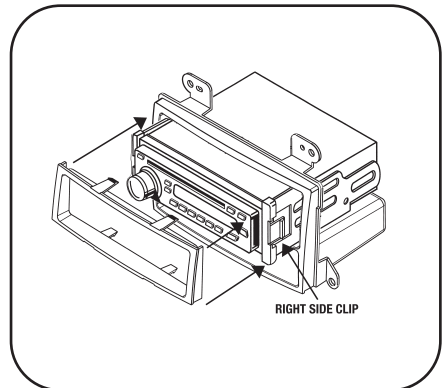
- 1 Mount the ISO Brackets to the radio using the screws supplied with the radio. (Figure A)
- 2 Slide the radio into the radio housing until it snaps into place. (Figure B)
- 3 Snap the Trim plate onto the front of the Radio Housing assembly. (Figure B)

*Continue to final assembly.*

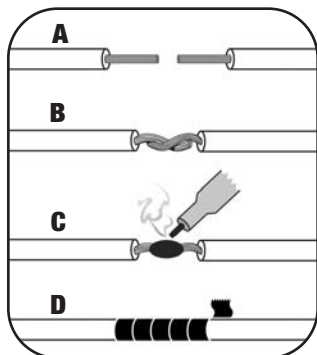
**A**



**B**



## FINAL ASSEMBLY



**(A) Strip wire ends back 1/2"**

**B) Twist ends together**

**C) Solder**

**D) Tape**

- 1** Locate the factory wiring harness in the dash. Metra recommends using the proper mating adapter and making connections as shown. (Isolate and individually tape off the ends of any unused wires to prevent electrical short circuit.)
- 2** Re-connect the negative battery terminal and test the unit for proper operation.
- 3** Reassemble radio and dash assemblies in reverse order of disassembly.

### FINAL WIRING CONNECTIONS

Make wiring connections using the EIA color code chart shown below and the instructions included with the head unit. Metra recommends making connections as shown below; Strip, Splice, Solder, Tape. Isolate and individually tape off ends of any unused wires to prevent electrical short circuit.

#### METRA / EIA WIRING CODE

|                             |                |                           |                |
|-----------------------------|----------------|---------------------------|----------------|
| 12V Ignition / Acc. . . . . | Red            | Right Front (+) . . . . . | Gray           |
| 12V Batt / Memory. . . . .  | Yellow         | Right Front (-). . . . .  | Gray/ Black    |
| Ground. . . . .             | Black*         | Left Front (+) . . . . .  | White          |
| Power Antenna. . . . .      | Blue           | Left Front (-). . . . .   | White / Black  |
| Amp Turn-On . . . . .       | Blue / White   | Right Rear (+) . . . . .  | Violet         |
| Amp Ground. . . . .         | Black / White  | Right Rear (-). . . . .   | Violet / Black |
| Illumination . . . . .      | Orange         | Left Rear (+) . . . . .   | Green          |
| Dimmer . . . . .            | Orange / White | Left Rear (-) . . . . .   | Green / Black  |

**\*NOTE:** When a Black wire is not present, ground radio to vehicle chassis.

All colors may not be present on all leads due to manufacturer's specifications.



# 99-7502 INSTRUCTIONS



**1-800-221-0932**



**[www.metraonline.com](http://www.metraonline.com)**

REV. 10/12/06 © COPYRIGHT 2004 METRA ELECTRONICS CORPORATION

INST99-7502



## Free Manuals Download Website

<http://myh66.com>

<http://usermanuals.us>

<http://www.somanuals.com>

<http://www.4manuals.cc>

<http://www.manual-lib.com>

<http://www.404manual.com>

<http://www.luxmanual.com>

<http://aubethermostatmanual.com>

Golf course search by state

<http://golfingnear.com>

Email search by domain

<http://emailbydomain.com>

Auto manuals search

<http://auto.somanuals.com>

TV manuals search

<http://tv.somanuals.com>