



## INSTALLATION INSTRUCTIONS FOR PART 99-7603

### APPLICATIONS

# Nissan Versa

## 2007-2011

# 99-7603

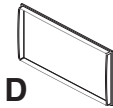
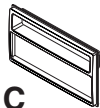
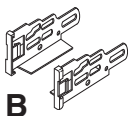
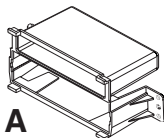
#### KIT FEATURES

- DIN Mount Radio Provision with Pocket
- ISO Mount Radio Provision with Pocket
- Double DIN Mount Radio Provision
- Stacked ISO Mount Units Provision



#### KIT COMPONENTS

A) Radio Housing • B) ISO Brackets • C) Trim Plate • D) Double DIN Trim Plate



#### Harness & Antenna Connections (sold separately)

- 70--7552 - Nissan Harness 07-up
- 40-NI12 - Nissan Adapter 07-up

#### TOOLS REQUIRED:

- Small Flat Blade Screwdriver/ Panel Removal Tool
- Phillips Screwdriver



1-800-221-0932



[www.metraonline.com](http://www.metraonline.com)

© COPYRIGHT 2010 METRA ELECTRONICS CORPORATION



**TABLE OF CONTENTS**

**Dash Disassembly**

**- Nissan Versa 2007-2011 ..... 1,2**

**Kit Assembly**

**- DIN Mount Radio Provision with Pocket ..... 3**

**- ISO Mount Radio Provision with Pocket ..... 4**

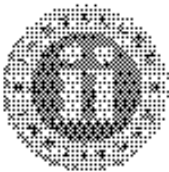
**- Double DIN Mount Radio Provision ..... 5**

**- Stacked ISO Units Provision ..... 6**

**Final Assembly ..... 7**

**\*Note:**

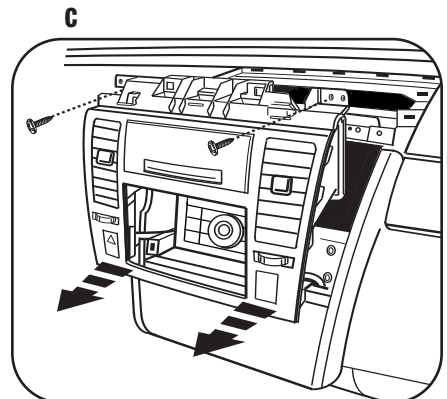
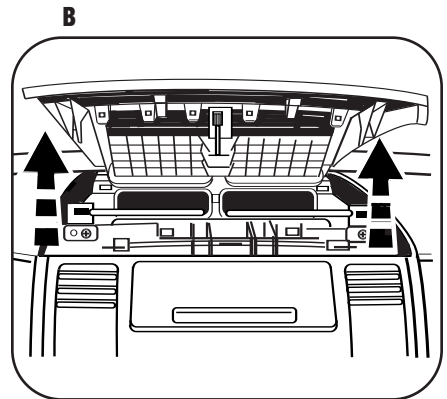
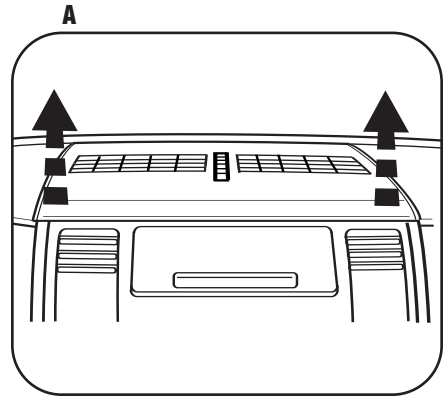
**Refer also to the instructions included with the aftermarket radio.**



**KNOWLEDGE IS POWER**  
 Increase your installation and customization skills by  
 applying to the most recognized and respected  
 mobile electronics school in our industry.  
 Log onto [www.metradetech.edu](http://www.metradetech.edu) or call  
 800-886-8777 for more information and take steps  
 toward a better tomorrow.

## NISSAN VERSA 2007-2011

- 1** Disconnect the negative battery terminal to prevent an accidental short circuit.
- 2** Unclip and remove the panel above the radio. (Figure A,B)
- 3** Remove (2) Phillips screws securing the radio trim panel then unclip and remove the entire panel surrounding the radio and a/c controls. (Figure C)

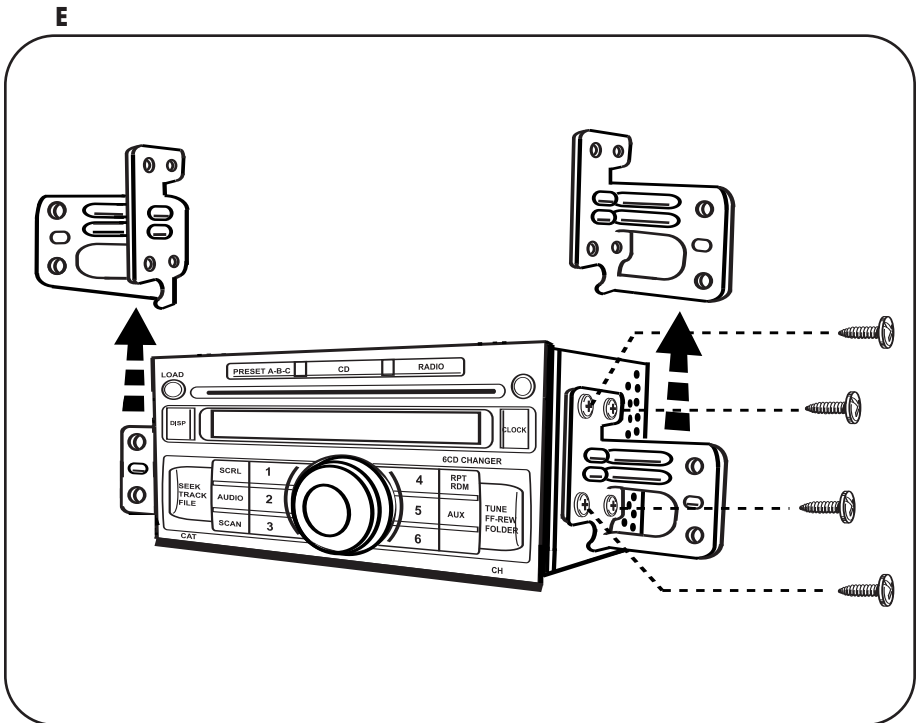
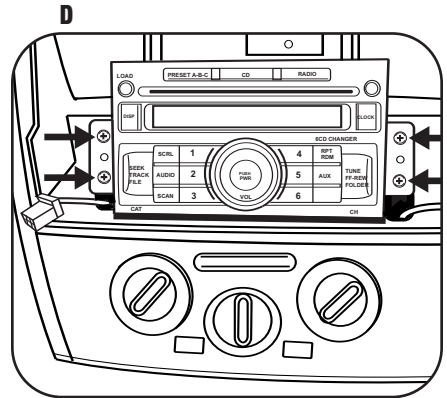


## NISSAN VERSA 2007-2011

**4** Remove (4) Phillips screws securing radio, unplug and remove radio. (Figure D)

**5** Remove (4) Phillips screws securing each bracket to factory radio. (Retain these brackets to be re-used during double DIN or stacked ISO kit assembly.) (Figure E)

*Continue to kit assembly.*



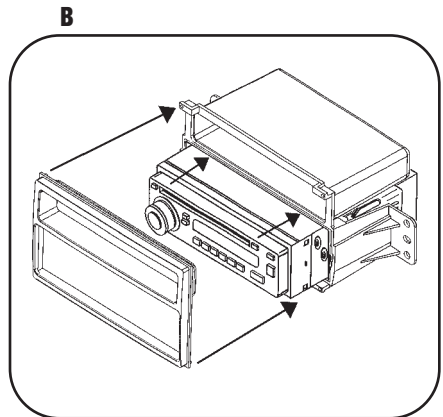
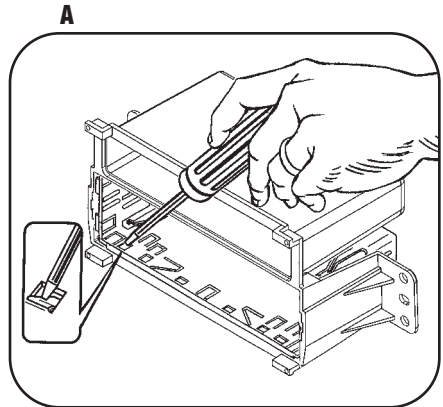
## DIN MOUNT RADIO PROVISION

*\*Note: Refer also to the instructions included with the aftermarket radio.*

**Note:** You will need to remove the aftermarket radio's trim ring if equipped.

- 1** Slide the DIN cage into the Radio Housing and secure by bending the metal locking tabs outward. (Figure A)
- 2** Slide the aftermarket radio into the cage until it snaps into place. (Figure B)
- 3** Attach the trim plate supplied with the kit to the front of the radio housing assembly. (Figure B)

*Continue to final assembly.*



## ISO MOUNT RADIO PROVISION

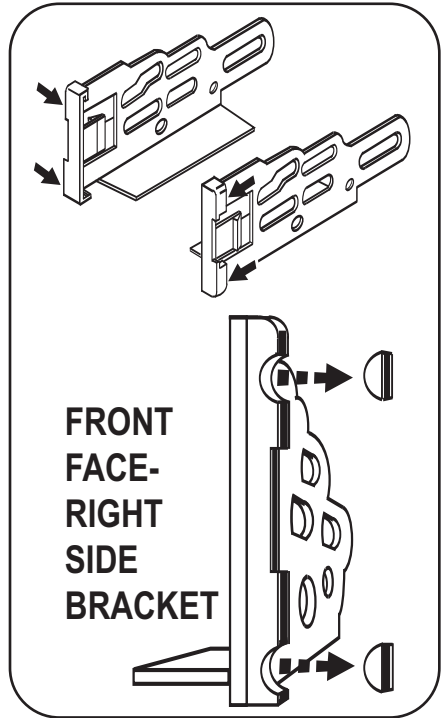
*\*Note: Refer also to the instructions included with the aftermarket radio.*

**Note:** *The following modification will need to be made to both ISO brackets when using the ISO mount radio provision. Cut or trim the area shown from the ISO bracket.* (Figure A)

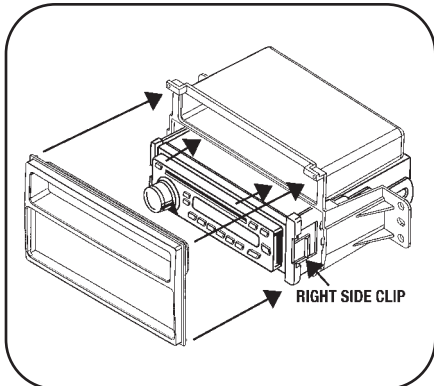
- 1 Mount the ISO Brackets to the aftermarket radio using the screws supplied with the radio. (Figure B)
- 2 Slide the radio into the radio housing until it snaps into place. (Figure C)
- 3 Attach the trim plate supplied with the kit to the front of the radio housing assembly. (Figure C)

*Continue to final assembly.*

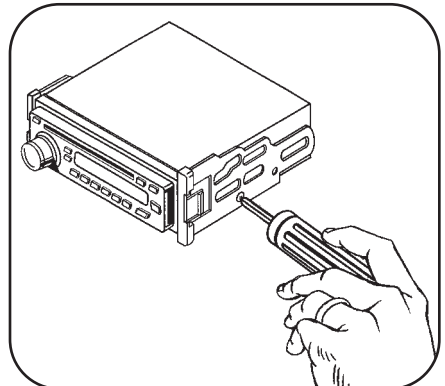
A



C



B

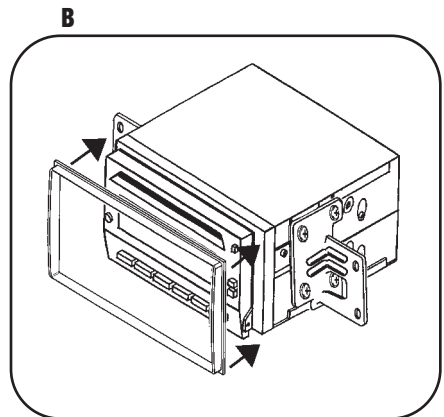
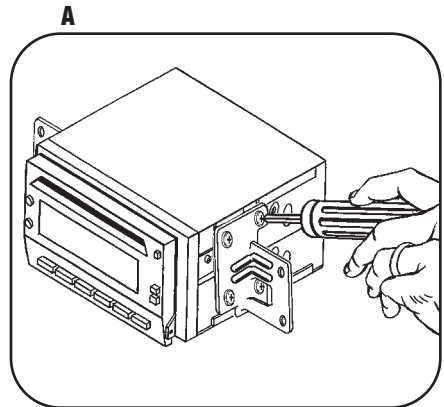


## DOUBLE DIN MOUNT RADIO PROVISION

*\*Note: Refer also to the instructions included with the aftermarket radio.*

- 1 Mount the factory brackets (removed from factory radio during disassembly) to the sides of the double DIN radio using screws supplied with the double DIN radio. (Figure A)
- 2 Place the double DIN trim plate on the front of the double DIN radio. (Figure B)

*Continue to final assembly.*



## STACKED ISO UNITS PROVISION

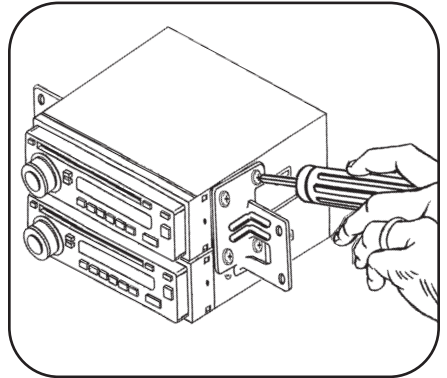
*\*Note: Refer also to the instructions included with the aftermarket radio.*

**1** Mount the factory brackets (removed from factory radio during disassembly) to the sides of the stacked ISO units using screws supplied with the ISO units. (Figure A)

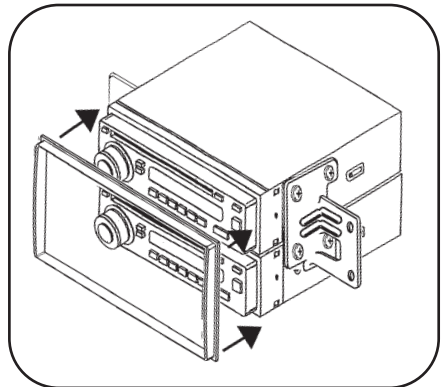
**2** Place the double DIN trim plate on the front of the stacked ISO units. (Figure B)

*Continue to final assembly.*

**A**

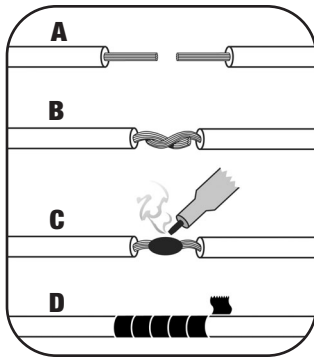


**B**





## FINAL ASSEMBLY



- (A) Strip wire ends back 1/2"**
- B) Twist ends together**
- C) Solder**
- D) Tape**

- 1** Locate the factory wiring harness in the dash. Metra recommends using the proper mating adapter and making connections as shown. (Isolate and individually tape off the ends of any unused wires to prevent electrical short circuit.)
- 2** Re-connect the negative battery terminal and test the unit for proper operation.
- 3** Reassemble radio and dash assemblies in reverse order of disassembly.

### FINAL WIRING CONNECTIONS

Make wiring connections using the EIA color code chart shown below and the instructions included with the head unit. Metra recommends making connections as shown below; Strip, Splice, Solder, Tape. Isolate and individually tape off ends of any unused wires to prevent electrical short circuit.

#### METRA / EIA WIRING CODE

12V Ignition / Acc. . . . .	Red	Right Front (+) . . . . .	Gray
12V Batt / Memory. . . . .	Yellow	Right Front (-). . . . .	Gray/ Black
Ground. . . . .	Black*	Left Front (+) . . . . .	White
Power Antenna. . . . .	Blue	Left Front (-). . . . .	White / Black
Amp Turn-On . . . . .	Blue / White	Right Rear (+) . . . . .	Violet
Amp Ground. . . . .	Black / White	Right Rear (-). . . . .	Violet / Black
Illumination . . . . .	Orange	Left Rear (+) . . . . .	Green
Dimmer . . . . .	Orange / White	Left Rear (-) . . . . .	Green / Black

**\*NOTE:** When a Black wire is not present, ground radio to vehicle chassis.  
 All colors may not be present on all leads due to manufacturer's specifications.





# 99-7603 INSTRUCTIONS



**1-800-221-0932**



**[www.metraonline.com](http://www.metraonline.com)**

REV. 10/06/10 © COPYRIGHT 2004-2010 METRA ELECTRONICS CORPORATION INST99-7603

## Free Manuals Download Website

<http://myh66.com>

<http://usermanuals.us>

<http://www.somanuals.com>

<http://www.4manuals.cc>

<http://www.manual-lib.com>

<http://www.404manual.com>

<http://www.luxmanual.com>

<http://aubethermostatmanual.com>

Golf course search by state

<http://golfingnear.com>

Email search by domain

<http://emailbydomain.com>

Auto manuals search

<http://auto.somanuals.com>

TV manuals search

<http://tv.somanuals.com>