



## INSTALLATION INSTRUCTIONS FOR PART 99-2005

### APPLICATIONS

#### CADILLAC

**ELDORADO 1996-2002**

**SEVILLE 1996-2005**

**DEVILLE 2000-2005**

**DEVILLE CONCOURS (CONSOLE SHIFT) 1996-1999**

# 99-2005

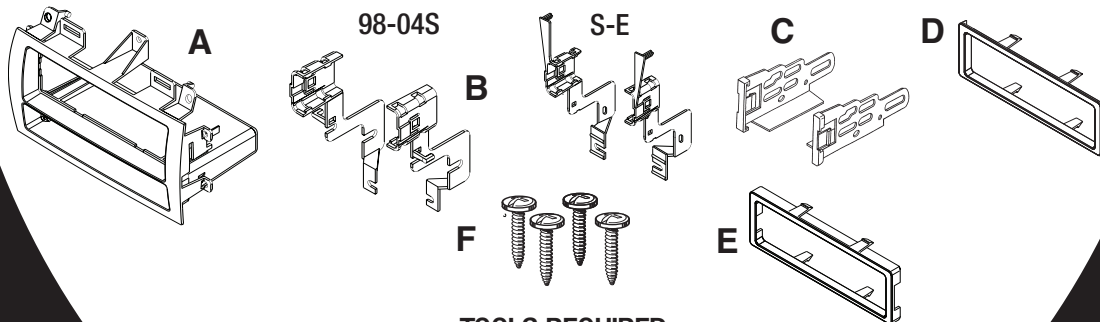
### KIT FEATURES

- DIN Mount Radio Provision with Pocket
- ISO Mount Radio Provision with Pocket



### KIT COMPONENTS

- A) Radio Housing • B) Radio Housing Brackets • C) ISO Brackets • D) ISO Trim Plate • E) Spacer
- F) (4) Phillips Screws



### TOOLS REQUIRED:

- Small Flat Blade Screwdriver • Panel Removal Tool
- Phillips Screwdriver • Socket Wrench



**1-800-221-0932**



**www.metraonline.com**

© COPYRIGHT 2004-2008 METRA ELECTRONICS CORPORATION

# TABLE OF CONTENTS

- **Dash Disassembly**
  - **Cadillac Eldorado 1996-2002**----- **1**
  - **Cadillac Seville 1996-1997**----- **1**
  - **Cadillac Seville 1998-2005**----- **2**
  - **Cadillac Deville 2000-2005**----- **3**
  - **Cadillac Deville Concours (Console Shift) 1996-1999**----- **2**
  
- **Kit Assembly**
  - **Cadillac Eldorado 1996-2002**----- **4**
  - **Cadillac Seville 1996-1997**----- **4**
  - **Cadillac Seville 1998-2005**----- **5**
  - **Cadillac Deville 2000-2005**----- **6**
  - **Cadillac Deville Concours (Console Shift) 1996-1999**----- **5**
  
  - **DIN Mount Radio Provision**----- **7**
  - **ISO Mount Radio Provision**----- **7**
  
- **Final Assembly**----- **8**

*\*Note: Refer also to the instructions included with the aftermarket radio.*



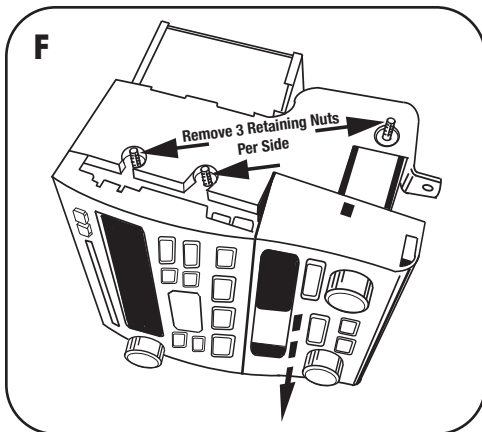
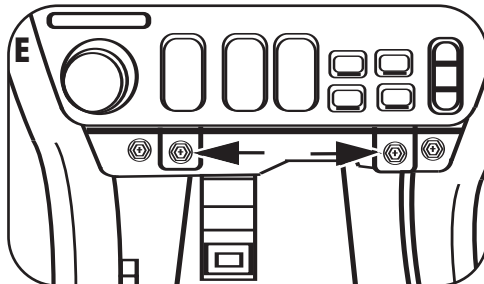
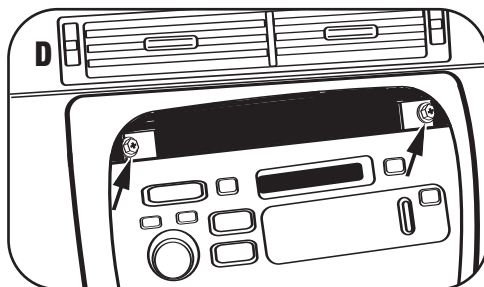
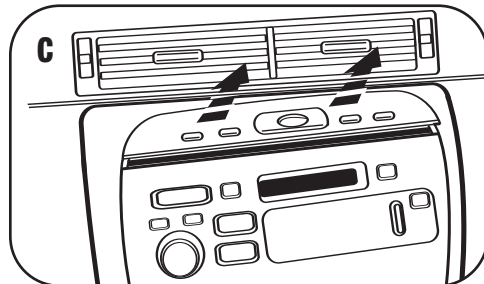
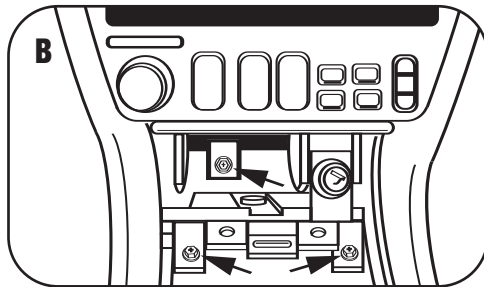
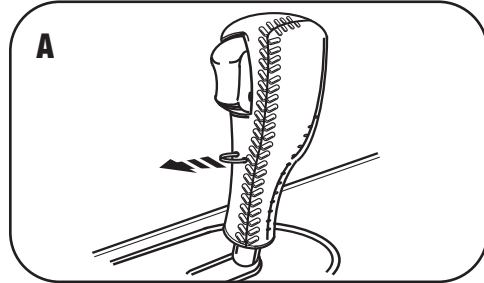
## KNOWLEDGE IS POWER

Enhance your installation and fabrication skills by enrolling in the most recognized and respected mobile electronics school in our industry. Log onto [www.installerinstitute.com](http://www.installerinstitute.com) or call 800-354-6782 for more information and take steps toward a better tomorrow.

## CADILLAC ELDORADO 1996-2002 CADILLAC SEVILLE 1996-1997

- 1 Disconnect the negative battery terminal to prevent an accidental short circuit.
- 2 Remove C-clip on forward facing side of shift knob and pull and remove knob. **(Figure A)**
- 3 Remove (2) 9/32 screws on each side of the ashtray assembly and (1) in the middle underneath ashtray insert. **(Figure B)**
- 4 Insert a small flat blade screwdriver in between the radio and the switch panel at top of radio and pry up and out to remove switch panel. **(Figure C)**
- 5 Remove (4) 9/32 screws
  - (2) from the top **(Figure D)** and
  - (2) from the bottom to remove radio. **(Figure E)**
- 6 Remove the (6) retaining nuts securing the radio and climate control to the factory bracket assembly and slide the climate control outward. **(Figure F)**

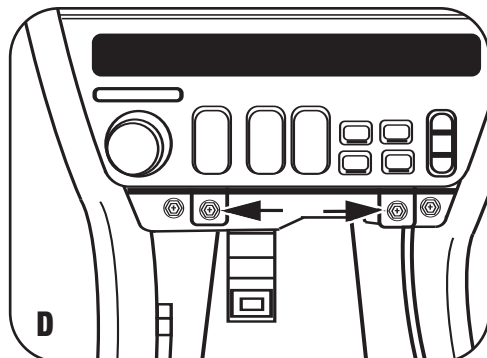
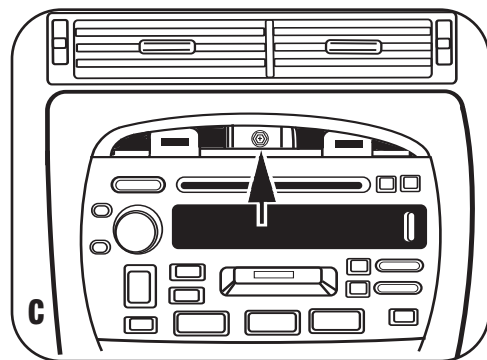
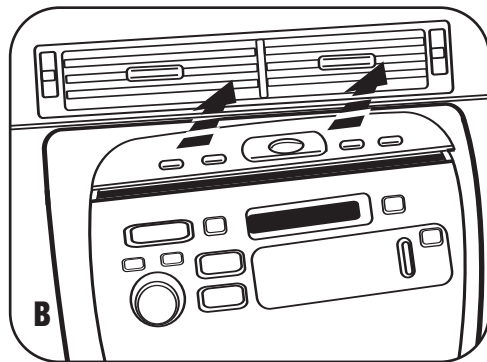
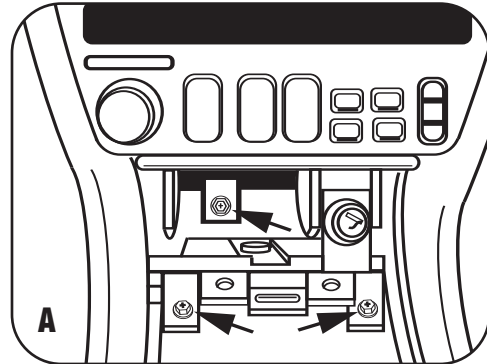
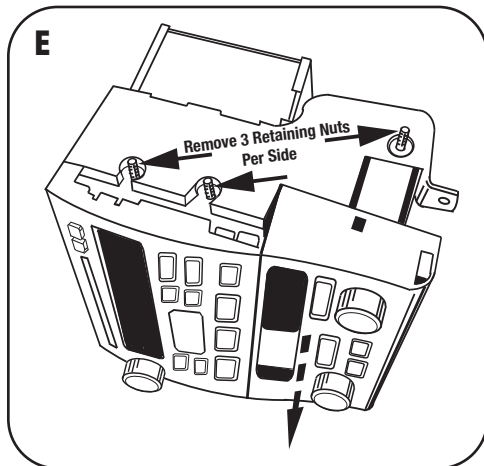
*Continue to kit assembly*



## CADILLAC SEVILLE 1998-2005 CADILLAC DEVILLE CONOURS (CONSOLE SHIFT) 1996-1999

- 1** Disconnect the negative battery terminal to prevent an accidental short circuit.
- 2** Remove (2) 9/32 screws on each side of the ashtray assembly and (1) in the middle underneath ashtray insert. **(Figure A)**
- 3** Insert a small flat blade screwdriver in between the radio and the switch panel at top of radio and pry up and out to remove switch panel. **(Figure B)**
- 4** Remove (3) 9/32 screws
  - (1) from the top **(Figure C)** and
  - (2) from the bottom to remove radio. **(Figure D)**
- 5** Remove the (6) retaining nuts securing the radio and climate control to the factory bracket assembly and slide the climate control outward. **(Figure E)**

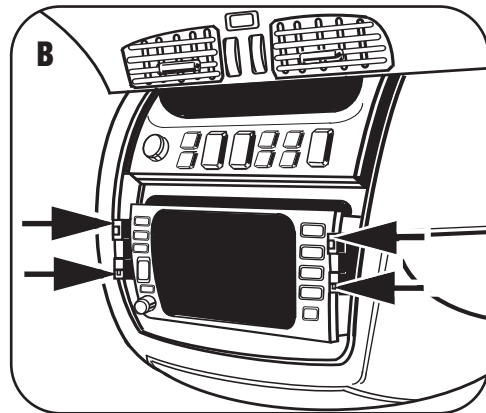
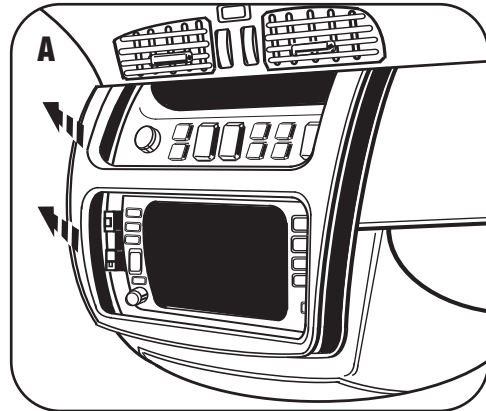
*Continue to kit assembly*



## CADILLAC DEVILLE 2000-2005

- 1** Disconnect the negative battery terminal to prevent an accidental short circuit.
- 2** Unsnap and remove panel surrounding climate controls and radio. (**Figure A**)
- 3** Depress clips on both sides of radio and pull out to remove. (**Figure B**)

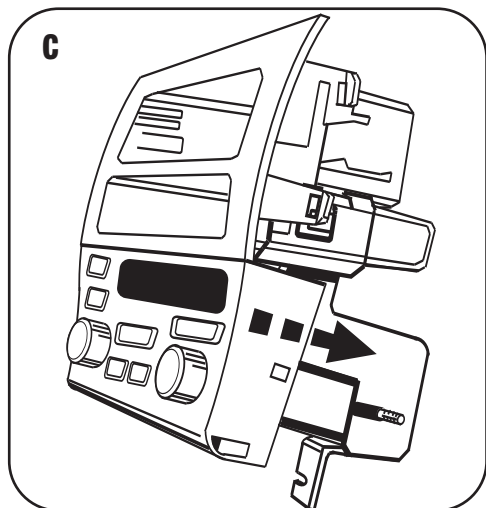
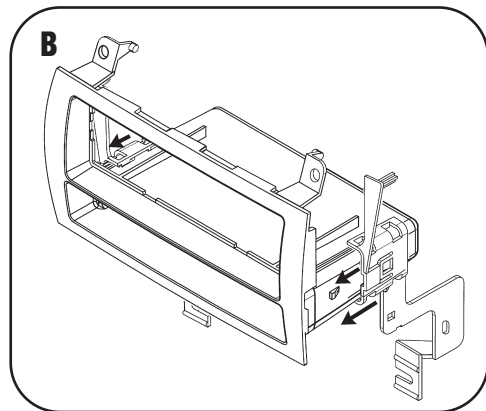
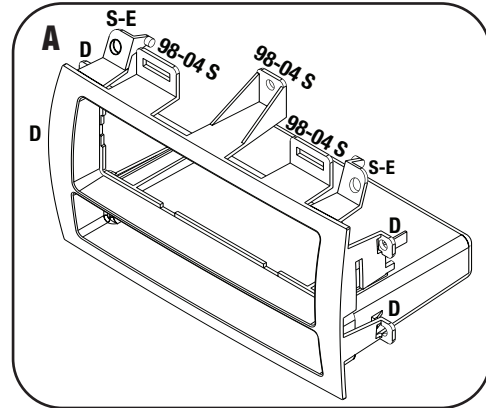
*Continue to kit assembly*



## CADILLAC ELDORADO 1996-2002 CADILLAC SEVILLE 1996-1997

- 1** Remove all tabs except the ones marked **S-E** from the radio housing. (**Figure A**)
- 2** Slide the **S-E** radio housing bracket onto the 99-2005 until side clips engage. (**Figure B**)
- 3** Slide the climate control assembly into the bracket / housing assembly and attach with the factory hardware. (**Figure C**)

*Continue to kit assembly*

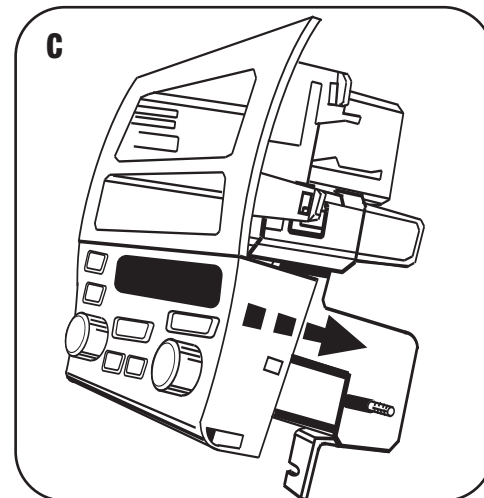
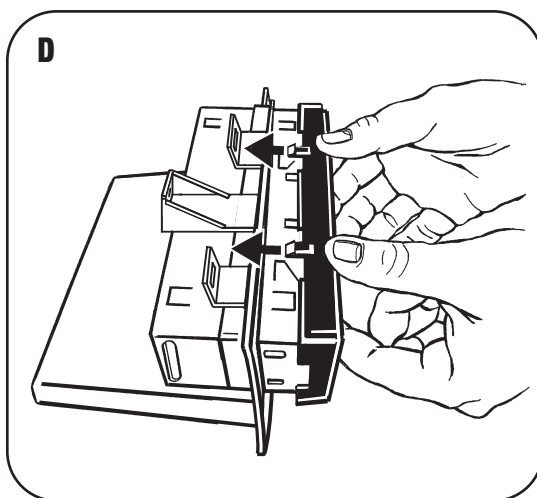
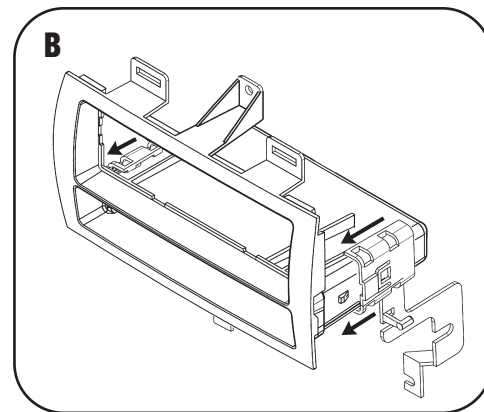
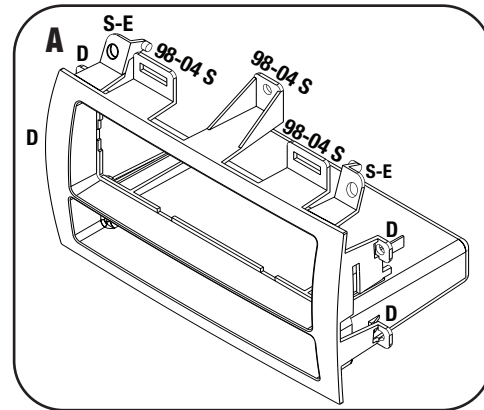


## CADILLAC SEVILLE 1998-2005 CADILLAC DEVILLE CONCOURS (CONSOLE SHIFT) 1996-1999

**NOTE:** In order to DIN mount in the 2000-2004 Deville you will need to use the provided spacer as described below. There is not enough depth to ISO mount or DIN mount without the spacer.

- 1** Remove all tabs except the ones marked **98-04 S** from the radio housing. **(Figure A)**
- 2** Slide the **98-04 S** radio housing bracket onto the 99-2005 until side clips engage. **(Figure B)**
- 3** Slide the climate control assembly into the bracket / housing assembly and attach with the factory hardware. **(Figure C)**
- 4** When DIN mounting slide the included spacer onto the DIN cage that came with your aftermarket radio before inserting it into the housing. **(Figure D)**

*Continue to kit assembly*

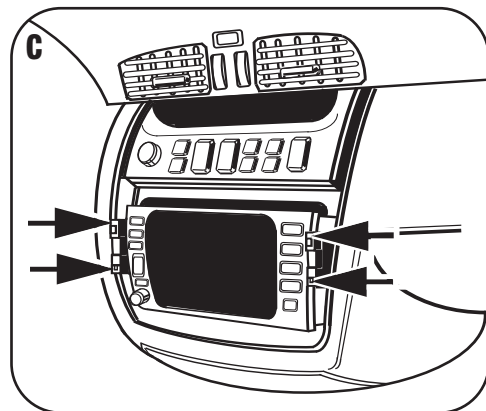
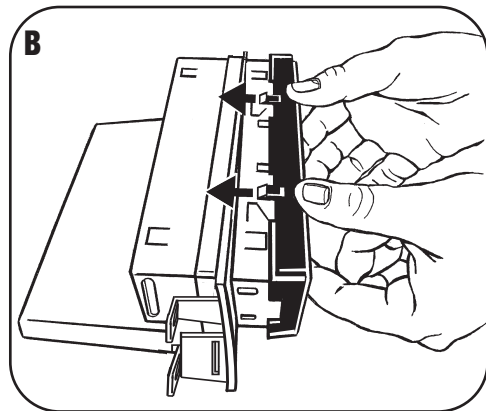
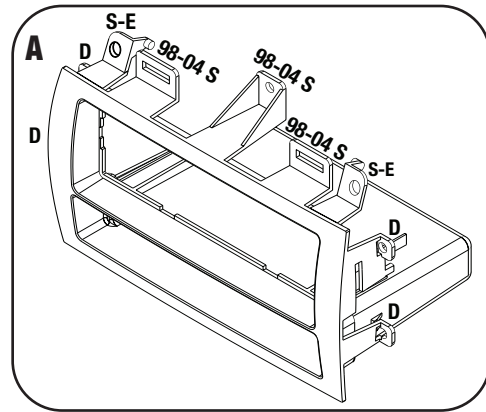


## CADILLAC DEVILLE 2000-2005

**NOTE:** In order to DIN mount in the 2000-2004 Deville you will need to use the provided spacer as described below. There is not enough depth to ISO mount or DIN mount without the spacer.

- 1** Remove all tabs except the ones marked **D** from the radio housing. **(Figure A)**
- 2** When DIN mounting slide the included spacer onto the DIN cage that came with your aftermarket radio before inserting it into the housing. **(Figure B)**
- 3** When installing the 99-2005 housing into the sub dash, use the supplied (4) phillips screws and mount in the locations shown **(Figure C)**

*Continue to kit assembly*



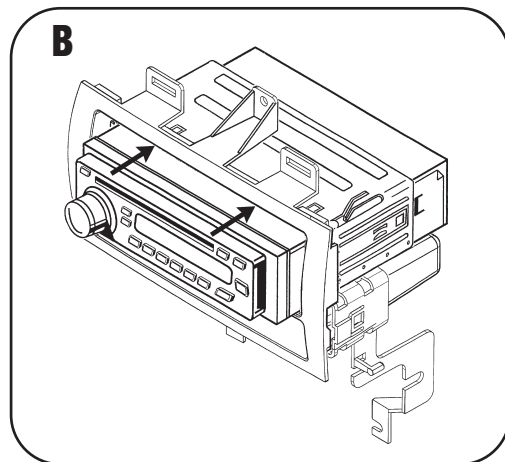
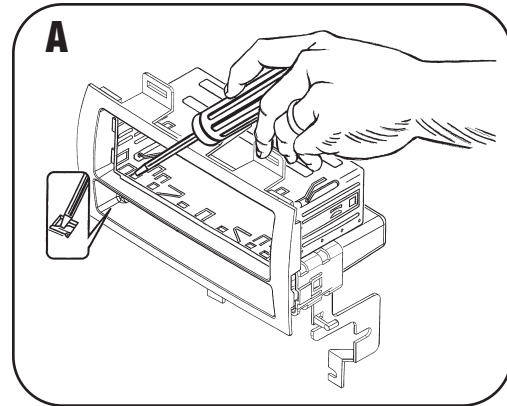


## DIN HEAD UNIT PROVISION

**NOTE:** Refer also to the instructions included with the aftermarket radio.

- 1** Slide the DIN cage into the Radio Housing and secure by bending the metal locking tabs down. **(Figure A)**
- 2** Slide the after-market head unit into the cage and secure. **(Figure B)**

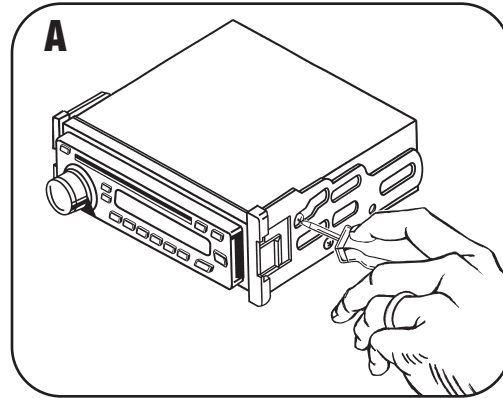
*Continue to kit assembly*



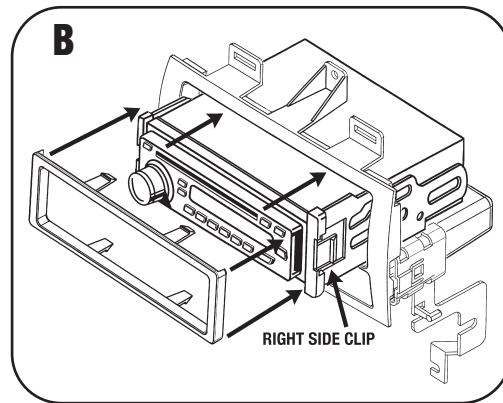
## ISO DIN HEAD UNIT PROVISION

**NOTE:** Refer also to the instructions included with the aftermarket radio.

- 1** Mount the ISO brackets to the aftermarket radio with the screws supplied with the unit. **(Figure A)**
- 2** Slide the after-market radio unit into the cage and secure. **(Figure B)**
- 3** Snap the Trim plate into the Radio Housing. **(Figure B)**



*Continue to kit assembly*

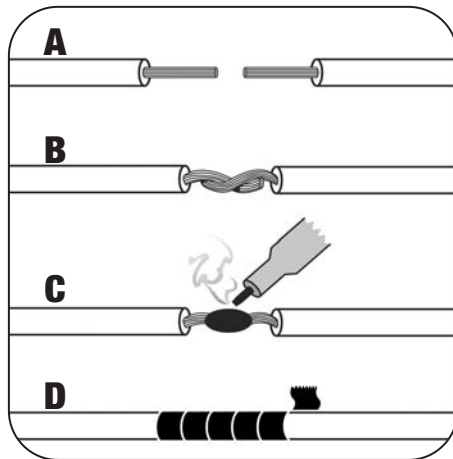


## FINAL ASSEMBLY

- 1 Locate the factory wiring harness in the dash and make the connection as shown. Metra recommends using the proper mating adapter and making the connections as shown. (Isolate and individually tape off the ends of any unused wires to prevent electrical short circuit.)
- 2 Re-connect the negative battery terminal and test the unit for proper operation.
- 3 Reassemble radio and dash assemblies in reverse order of disassembly.

### FINAL WIRING CONNECTIONS

Make wiring connections using the EIA color code chart shown below and the instructions included with the head unit. Metra recommends making connections as shown below; Strip, Splice, Solder, Tape. Isolate and individually tape off ends of any unused wires to prevent electrical short circuit.



- A) Strip wire ends back 1/2"**
- B) Twist ends together**
- C) Solder**
- D) Tape**

### METRA / EIA WIRING CODE

12V Ignition / Acc . . . Red	Right Front (+) . . . . . Gray
12V Batt / Memory . . Yellow	Right Front (-) . . . . . Gray / Black
Ground . . . . . Black*	Left Front (+) . . . . . White
Power Antenna . . . . . Blue	Left Front (-) . . . . . White / Black
Amp Turn-On . . . . . Blue / White	Right Rear (+) . . . . . Violet
Amp Ground . . . . . Black / White	Right Rear (-) . . . . . Violet / Black
Illumination . . . . . Orange	Left Rear (+) . . . . . Green
Dimmer . . . . . Orange / White	Left Rear (-) . . . . . Green / Black

**\*NOTE:** When Black a wire is not present, ground radio to vehicle chassis.

All colors may not be present on all leads due to manufacturer's specifications.

# 99-2005 INSTRUCTIONS



**1-800-221-0932**



**[www.metraonline.com](http://www.metraonline.com)**

Rev. 10-27-08 © COPYRIGHT 2004-2008 METRA ELECTRONICS CORPORATION INST99-2005

## Free Manuals Download Website

<http://myh66.com>

<http://usermanuals.us>

<http://www.somanuals.com>

<http://www.4manuals.cc>

<http://www.manual-lib.com>

<http://www.404manual.com>

<http://www.luxmanual.com>

<http://aubethermostatmanual.com>

Golf course search by state

<http://golfingnear.com>

Email search by domain

<http://emailbydomain.com>

Auto manuals search

<http://auto.somanuals.com>

TV manuals search

<http://tv.somanuals.com>