



INSTALLATION INSTRUCTIONS FOR PART 99-7324

APPLICATIONS KIA Optima 2006.5-2010

99-7324

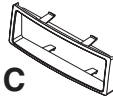
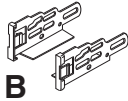
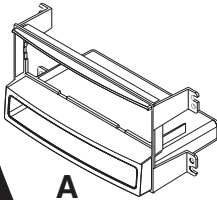


KIT FEATURES

- DIN head unit provision with pocket
- ISO DIN head unit provision with pocket

KIT COMPONENTS

A) Radio Housing • B) ISO Brackets • C) Trim Plate



WIRING AND ANTENNA CONNECTIONS (Sold Separately)

Harness:

- 70-1004 - Hyundai 2006-up/KIA harness 2004-up
- 70-7303 - Hyundai / KIA Harness 2009

Antenna Adapter:

- 40-K111 - 2009-10 Kia Optima

TOOLS REQUIRED:

Phillips Screwdriver • Small Flat Blade Screwdriver/
Panel Removal Tool



1-800-221-0932



www.metraonline.com

© COPYRIGHT 2004-2010 METRA ELECTRONICS CORPORATION



TABLE OF CONTENTS

Dash Disassembly

- Kia Optima 2006.5-2010 1

Kit Assembly *

- Din Head Unit provision with Pocket 2

- ISO Din Head Unit provision with Pocket 3

Final Assembly 4

***Note:**

Refer also to the instructions included with the aftermarket radio.

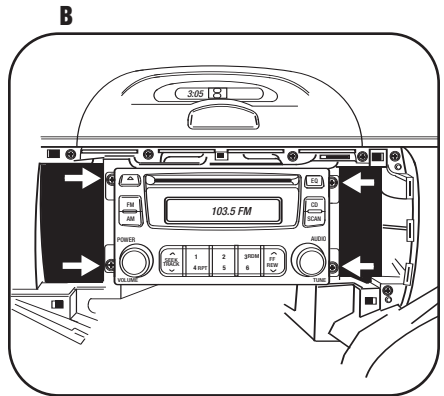
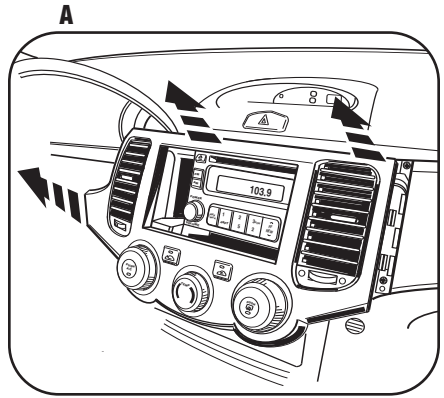


KNOWLEDGE IS POWER
Increase your satisfaction and satisfaction skills by working in the most recognized and respected mobile electronics retail industry. Log onto www.metradistributors.com or call 559-358-0198 for more information and take steps towards a better tomorrow.

KIA OPTIMA 2006.5-2010

- 1** Disconnect the negative battery terminal to prevent an accidental short circuit.
- 2** Unclip and remove the panel surrounding the radio including the a/c vents and climate controls. (Figure A)
- 3** Remove (4) Phillips screws securing radio. Unplug and remove radio. (Figure B)

Continue to kit assembly.



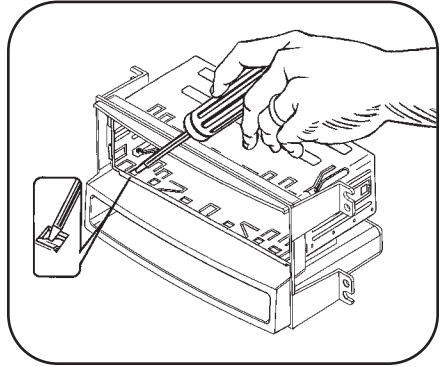
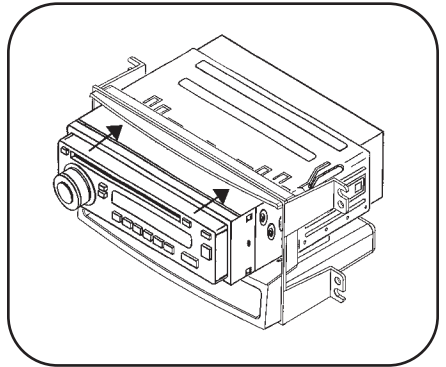
DIN HEAD UNIT PROVISION

**Note: Refer also to the instructions included with the aftermarket radio.*

1 Slide the DIN cage into the Radio Housing and secure by bending the metal locking tabs outward (Figure A)

2 Slide the aftermarket radio into the cage until it snaps into place. (Figure B)

Continue to final assembly.

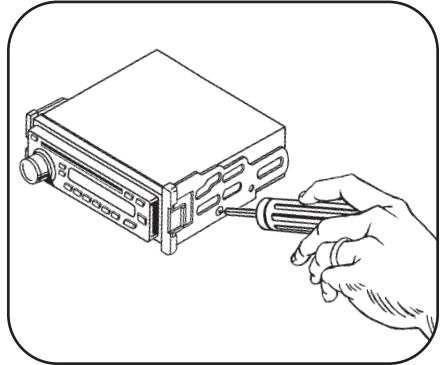
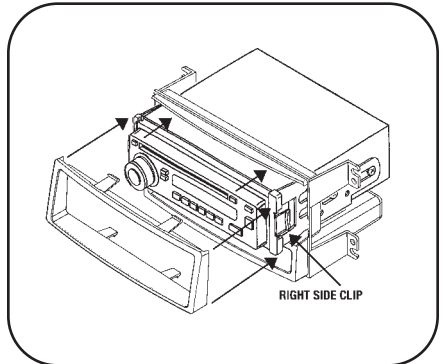
A**B**

ISO DIN HEAD UNIT PROVISION

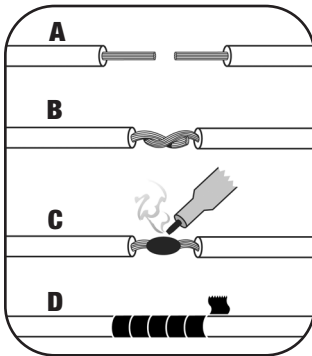
**Note: Refer also to the instructions included with the aftermarket radio.*

- 1** Mount the ISO Brackets to the radio using the screws supplied with the radio. (Figure A)
- 2** Slide the radio into the radio opening until the side clips snap into place. (Figure B)
- 3** Snap the trim plate onto the front of the Radio Housing. (Figure B)

Continue to final assembly.

A**B**

FINAL ASSEMBLY



- (A) Strip wire ends back 1/2"**
- (B) Twist ends together**
- (C) Solder**
- (D) Tape**

- 1** Locate the factory wiring harness in the dash. Metra recommends using the proper mating adapter and making connections as shown. (Isolate and individually tape off the ends of any unused wires to prevent electrical short circuit.)
- 2** Re-connect the negative battery terminal and test the unit for proper operation.
- 3** Reassemble radio and dash assemblies in reverse order of disassembly.

FINAL WIRING CONNECTIONS

Make wiring connections using the EIA color code chart shown below and the instructions included with the head unit. Metra recommends making connections as shown below; Strip, Splice, Solder, Tape. Isolate and individually tape off ends of any unused wires to prevent electrical short circuit.

METRA / EIA WIRING CODE

| | |
|------------------------------------|---|
| 12V Ignition / Acc. Red | Right Front (+) Gray |
| 12V Batt / Memory Yellow | Right Front (-) Gray/ Black |
| Ground Black* | Left Front (+) White |
| Power Antenna Blue | Left Front (-) White / Black |
| Amp Turn-On Blue / White | Right Rear (+) Violet |
| Amp Ground Black / White | Right Rear (-) Violet / Black |
| Illumination Orange | Left Rear (+) Green |
| Dimmer Orange / White | Left Rear (-) Green / Black |

***NOTE:** When a Black wire is not present, ground radio to vehicle chassis.
All colors may not be present on all leads due to manufacturer's specifications.

99-7324 INSTRUCTIONS



1-800-221-0932



www.metraonline.com

REV. 04/27/10 © COPYRIGHT 2004-2010 METRA ELECTRONICS CORPORATION INST99-7324

Free Manuals Download Website

<http://myh66.com>

<http://usermanuals.us>

<http://www.somanuals.com>

<http://www.4manuals.cc>

<http://www.manual-lib.com>

<http://www.404manual.com>

<http://www.luxmanual.com>

<http://aubethermostatmanual.com>

Golf course search by state

<http://golfingnear.com>

Email search by domain

<http://emailbydomain.com>

Auto manuals search

<http://auto.somanuals.com>

TV manuals search

<http://tv.somanuals.com>