

LIMITED ONE YEAR WARRANTY

This warranty shall be in effect for a period of one year from the date of the first consumer purchase. This warranty is valid during the warranty period providing that proof of date of purchase from an authorized dealer is presented whenever warranty service is required.

To receive service for this product return it to the Metrik dealer from whom it was purchased and such dealer will arrange for service. If shipment of the product is required, it should be packed securely. The original dated bill of sale, or a legible copy, must be included with the product as proof of warranty coverage.

Metrik will pay for all labor and material expenses required to repair the product, only.

Labor expense for the removal and installation of the product is the sole responsibility of the consumer. If the product is shipped, the consumer must prepay the initial shipping charge to us; Metrik will pay the return shipping charges to the consumer.

Except as otherwise specified, this warranty covers all defects in material and workmanship. The following are not covered: damage resulting from accident, misuse, abuse, neglect, product modification, improper installation, incorrect line voltage, unauthorized repair or failure to follow instructions supplied with the product, damage occurring during shipment (claims must be filed with the carrier), elimination of car static or other electrical interferences, any product purchased outside of North America or on which the serial number has been defaced, modified or removed.

All implied or statutory warranties and conditions, including warranties or conditions of merchantability, fitness for particular purposes and non-infringement are limited in duration to the length of this warranty.

Metrik's liability is limited to the repair or replacement, at our option, of any defective product and shall not include incidental or consequential economic damages of any kind.

Some states or provinces have differing limitations. This warranty gives you specific rights and you may also have other rights, which vary depending of the state or province in which you reside.

METRIK MOBILE ELECTRONICS

a division of SAMSON ELECTRONICS, INC.

3400 E. SLAUSON AVE.; MAYWOOD, CA 90270

TOLL FREE: 866-572-6766



METRIK

MCD-476



**AM/FM RADIO
CD PLAYER WITH ESP ANTI-SHOCK,
4 CHANNEL HIGH POWER CAR AUDIO SYSTEM**

CONTENTS

HANDLING COMPACT DISCS	1
INSTALLATION GUIDE	2
WIRING INSTRUCTION	3
WIRING DIAGRAM AND SPECIFICATIONS	4
CONTROL LOCATIONS	5
BUTTON FUNCTIONS	6~7
TROUBLESHOOTING	8

TROUBLESHOOTING

Problem	Cause	Action
Unit will not turn on (no power)	Yellow wire not connected or incorrect voltage	Check connections for proper voltage (11-14.4VDC)
	Red wire not connected or incorrect voltage	Check connections for proper voltage (11-14.4VDC)
	Black wire not connected	Check connection to ground
	Fuse blown	Replace fuse
Unit has power (but no sound)	Speaker wires not connected	Check connections at speakers
	One or more speaker wires touching each other or touching chassis ground	Insulate all bare speaker wires from each other and chassis ground
Unit blows fuses	Yellow or red wire touching chassis ground	Check for pinched wire
	Speaker wires touching chassis ground	Check for pinched wire
	Incorrect fuse rating	Use fuse with correct rating
Excessive skipping	Unit is not mounted correctly or back strap is not secure	Check mounting sleeve and back strap support
	Physical defect in media(CD)	Check media for scratches

HANDLING COMPACT DISCS

MOISTURE CONDENSATION

On a rainy day or in a very damp area, moisture may condense on the lenses inside the unit. Should this occur, the unit will not operate properly. In such a case, remove the disc and wait for about an hour until the moisture has evaporated.

NOTES ON CDS

1. A dirty or defective disc may cause sound dropouts while playing. To enjoy optimum sound, handle the disc as follows. Handle the disc by its edge. To keep the disc clean, do not touch the surface (P.1)



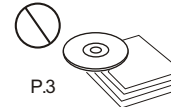
P.1

2. Do not stick paper or tape on the disc (P.2)



P.2

3. Do not expose the discs to direct sunlight or heat sources such as hot air-ducts, or leave them in a car parked in direct sunlight where there can be a considerable rise in temperature inside the car (P.3).



P.3

4. Before playing, clean the discs with an optional cleaning cloth. Wipe each disc from the centre out (P.4).



P.4

5. Do not use solvents such as benzene, thinner, commercially available cleaners, or antistatic spray intended for analog discs.

NOTES ON DISCS

If you use the discs explained below, the sticky residue can cause the CD to stop spinning and may cause malfunction or ruin your discs.

Do not use second-hand or rental CDs that have a sticky residue on the surface (for example, from peeled-off stickers or from ink, or glue leaking from under the stickers).

There are past residue. Ink is sticky (P.5).



P.5

Do not use rental CDs with old labels that are beginning to peel off.

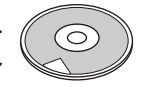
Stickers that are beginning to peel away, leaving a sticky residue (P.6).



P.6

Do not use your CDs with labels or stickers attached.

Labels are attached (P.7).



P.7

Do Not Use Special Shape CDs

Be sure to use round shape CDs only for this unit and do not use any special shape CDs. Use of special shape CDs may cause the unit to malfunction. (P.8).



P.8

Be Sure to use CDs with disc mark



Only for this unit.

CD-Rs and CD-RWs which have not undergone finalization processing cannot be played. (For more information on finalization processing, refer to the manual for your CD-R/CD-RW writing software or CD-R/CD-RW recorder.) Addition software or depending on the recording status, it may prove impossible to play certain CDs record on CD-R or CD-RW.

INSTALLATION GUIDE

Preparation

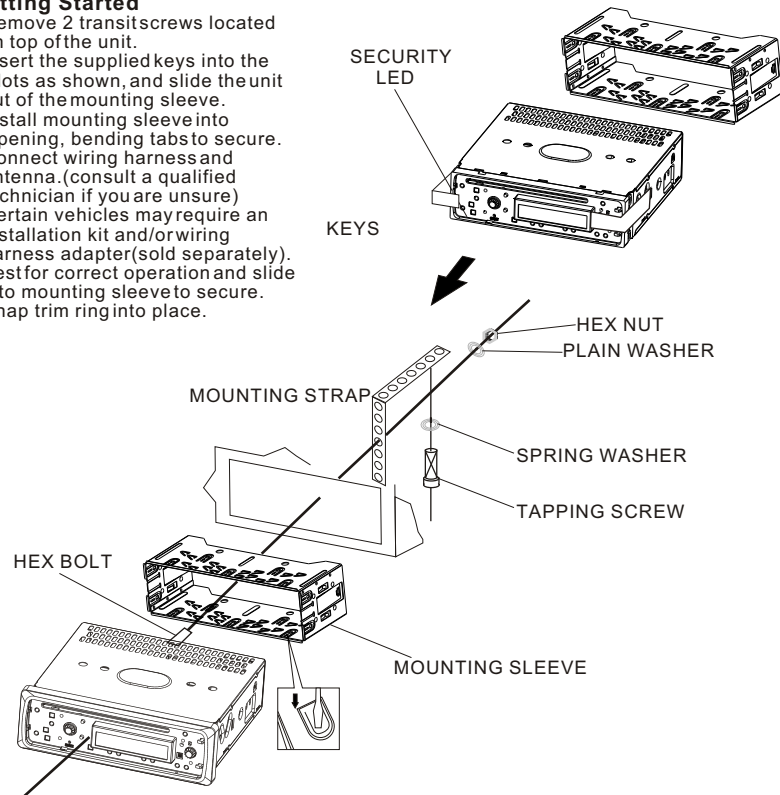
Please read entire manual before installation.

Before You Start

- Disconnect negative battery terminal. (consult a qualified technician for instructions)
- Avoid installing the unit where it would be subject to high temperatures, such as from direct sunlight, or where it would be subject to dust, dirt or excessive vibration.

Getting Started

- Remove 2 transitscrews located on top of the unit.
- Insert the supplied keys into the slots as shown, and slide the unit out of the mounting sleeve.
- Install mounting sleeve into Opening, bending tabs to secure.
- Connect wiring harness and antenna. (consult a qualified technician if you are unsure)
- Certain vehicles may require an installation kit and/or wiring harness adapter (sold separately).
- Test for correct operation and slide into mounting sleeve to secure.
- Snap trim ring into place.



BUTTON FUNCTION

RDM

When no track is playing, press "RDM" to shuffle, the word "RND" will display on LCD screen and blink. Press selects a track. Press STOP cancels the shuffle and stop playing a track.

PRO

When no track is playing, press "PRO" to setup a play list, while "O" is blinking on LCD, press navigates to the desired track and press "PRO" again to save that track into the play list. Then the screen back to blinking, keep repeating previous procedure to save the desired track into the play list. A play list maximum can save 20 tracks. Once a play list reaches the maximum, the screen displays "--". Press "STOP" to stop programming playlist. Press "PRO" again, back to the play list, navigates to the desired track; press "MOD" or "PWR" to delete the track from the playlist. Press "PLAY" to play the play list. While playing a play list, press "REP" to play a track repeatedly.

T-UP/DOWN

Press "▶▶" go to next song, press "◀◀" go to previous song.
Long press "◀◀" fast forward, long press "▶▶" fast backward.

TUNE

When is on radio mode, rotate the TUNE button left/right to turn the station.

OPEN

Press the OPEN to allow the front panel to detachable panel.

EJECT

Press EJ to reject a CD from the cartridge, the CD cartridge will automatically close once we push the cartridge or wait for 10 seconds. Long press EJ force to reject the CD from all modes.

CD Switch Between Modes

The product has two modes: CD mode and Radio mode. Switch between two modes as follow:

A: Switch from Radio Mode to CD Mode

- 1) Under Radio Mode insert CD
- 2) Press MOD, switch to CD Mode
- 3) Start reading CD, displays total number of tracks in LCD
- 4) Press PLAY, start to play

B: Switch from CD Mode to Radio Mode

Under CD Mode press MOD to switch to Radio Mode

Remarks: Must Press PLAY to play the track

BUTTON FUNCTION

BAND

Press BAND button to switch between FM/AM.

STOP

Press STOP to stop playing a track.

REP

Press REP plays a track repeatedly; long press REP play all tracks repeatedly.

PLAY

Press PLAY to play first tracks from CD. While it is playing a track, press PLAY to pause/resume the track, the word "PLAY" will display on the screen and blinking.

DISP

Press DISP button to display time, long press the DISP button to setup the time. When the time blinks, press H/M button to set hour/minute; hold H/M to increase H/M sequentially.

POWER ON/OFF

Press PWR to turn on/off the power.

VOLUME

When is on radio/CDP mode, turn the VOL button clockwise to increase the volume, turn anticlockwise to decrease the volume.

MODE

Press MOD to switch to CD mode. If no CD inside the cartridge, the LCD shows "___". When you insert a CD into the cartridge, it reads the CD automatically, and displays number of tracks on LCD (If a CD is not readable, it displays "E").

CLOCK

- 1) Press DISP to display clock.
Long press DISP to setup the time, while it is blinking, press H/M press to adjust the time. It will display the time, if you press DISP button again or left it for 5 seconds.
- 2) Press "H" once to increase one hour, long press to increase sequentially.
- 3) Press "M" once to increase one minute, long press to increase sequentially.

WIRING INSTRUCTION

Speakers Connection

This unit can mate with 4 as well as 8 speakers. Make sure Power is off before connecting.

Caution:

Do Not Short speaker wires to chassis ground. It may cause severe damage.

Ground Connection

Connect Black Wire to Ground terminal. If not found, connect it to the chassis instead.

Power Connection

First connect the red Wire (w/3Amp fuse ACC) to ignition output. battery power. Make sure no other device, such as switch, in between. Then connect orange Wire (w/1 Amp fuse block) directly to +12v

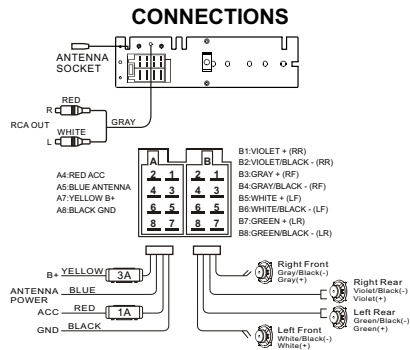
Antenna Connection

Insert coaxial connector to antenna socket.

Caution:

If a fuse is blown, only replace it with one of the same rating. Otherwise may cause severe damage. Repeated blown fuse indicates potential problem(s) exists. A thorough inspection is recommended.

WIRING DIAGRAM



SPECIFICATIONS

CD PLAYER

Frequency response: 10HZ-20KHZ
 Channel separation @ 1KHZ: >65dB
 D/A converter: 1Bit
 S/N: > 60dB

FM TUNER

Tuning range: 87.5MHZ-108MHZ
 Usable sensitivity: 20dBu
 Stereo separation @ 1KHZ: 30dB
 Frequency response: 50HZ-10KHZ

AM TUNER

Tuning range: 520KHZ-1600KHZ
 Usable sensitivity: 40dBu
 Frequency response: 50HZ-3KHZ

GENERAL

Power output: 7W×4 @ 4 ohms, 14.4 VDC
 Operating voltage: 11-14.4 VDC, negative ground
 Speaker output impedance: 4~8 ohms
 Line output voltage: 200mv-400mv
 Dimensions: 7"×7"×2" (178×178×51mm)

Design and specifications subject to change without notice

CONTROL LOCATIONS



- | | |
|----------|----------|
| ① BAND | ⑩ HOUR |
| ② STOP | ⑪ RDM |
| ③ REP | ⑫ PRO |
| ④ PLAY | ⑬ T-DOWN |
| ⑤ DISP | ⑭ T-UP |
| ⑥ POWER | ⑮ TUN |
| ⑦ VOLUME | ⑯ OPEN |
| ⑧ MODE | ⑰ EJECT |
| ⑨ MINUTE | |

■ Superior disc reading ability: Able to read CD

Free Manuals Download Website

<http://myh66.com>

<http://usermanuals.us>

<http://www.somanuals.com>

<http://www.4manuals.cc>

<http://www.manual-lib.com>

<http://www.404manual.com>

<http://www.luxmanual.com>

<http://aubethermostatmanual.com>

Golf course search by state

<http://golfingnear.com>

Email search by domain

<http://emailbydomain.com>

Auto manuals search

<http://auto.somanuals.com>

TV manuals search

<http://tv.somanuals.com>