

METROLOGIC INSTRUMENTS, INC.

SP5600 OptimusR User's Guide



Copyright

© 2008 by Metrologic Instruments, Inc. All rights reserved. No part of this work may be reproduced, transmitted, or stored in any form or by any means without prior written consent, except by reviewer, who may quote brief passages in a review, or provided for in the Copyright Act of 1976.

Trademarks

Metrologic is a registered trademark of Metrologic Instruments, Inc. Products identified in this document are hereby acknowledged as trademarks, registered or otherwise, of Metrologic Instruments, Inc. or their respective

TABLE OF CONTENTS

Introduction	
Product Overview	1
Scanner and Accessories	1
General Features and Characteristics	
Scanner Features	2
Cradle Features	3
Multifunctional Keypad	4
LCD Screen	5
Lithium Battery	5
Maintenance	5
Labels	6
Installation	
Getting Started	7
Basic Operation	8
Communication and Data Collection Setup	9
Data Upload	10
System Menu	11
Application	15
Programming the Terminal	15
Programming the Communication Cable	15
Troubleshooting	16
Specifications	17
Limited Warranty	19
Safety Notices	20
Patents	21
Index	22
Contact Information and Office Locations	23

INTRODUCTION

PRODUCT OVERVIEW

The **SP5600** OptimusR Portable Data Terminals are robust and versatile scanning devices designed to provide exceptional performance, while enduring the demands of everyday use. The rugged exterior of the OptimusR makes the Optimus the ideal PDT for applications that take place in more rigorous environments. The lithium-ion rechargeable battery provides the Optimus with more than 200 hours of operation. The Optimus is supported by a resourceful set of development tools, including a Windows-based program builder, 'C' compiler, and 'BASIC' compiler. The OptimusR has a fully integrated laser for scanning all 1D bar code symbologies, completely enclosed by the protective ergonomic housing. The built-in functionality makes the Optimus an excellent choice for numerous applications. In addition, when combined with the optional Wi-Fi module the Optimus is the ideal solution for real time applications such as inventory control, shop floor management, warehousing operations, and distribution operations.

Key Product Features

- Up to 8 MB RAM capable of storing over 400,000 records
- Easy to use Optimizer program builder and download software
- Auto-backlit LCD display
- Audible and visual indications
- Built-in laser bar code scan engine capable of scanning all 1-D bar code symbologies
- Powered by rechargeable Lithium-ion battery
- Upload/download data via RS232, USB, and Wi-Fi interfaces

SCANNER AND ACCESSORIES

METROLOGIC PART NUMBERS	PART DESCRIPTION
SP5602	OptimusR laser batch unit with 2MB RAM
SP5604	OptimusR laser batch unit with 4MB RAM
SP5608	OptimusR laser batch unit with 8MB RAM
SP5650	OptimusR laser Wi-Fi standard unit
SP5652	OptimusR laser Wi-Fi unit with 2MB RAM
SP5654	OptimusR laser Wi-Fi unit with 4MB RAM
SP5658	OptimusR laser Wi-Fi unit with 8MB RAM
MI5600-614	OptimusR standard cradle
MI5600-6107	OptimusR modem cradle
52-52860A	RS232 Cradle Cable
52-52861A	USB cradle cable

* For information on additional accessories and scanner kits, contact your local Metrologic Instruments representative.

GENERAL FEATURES AND CHARACTERISTICS

SCANNER FEATURES

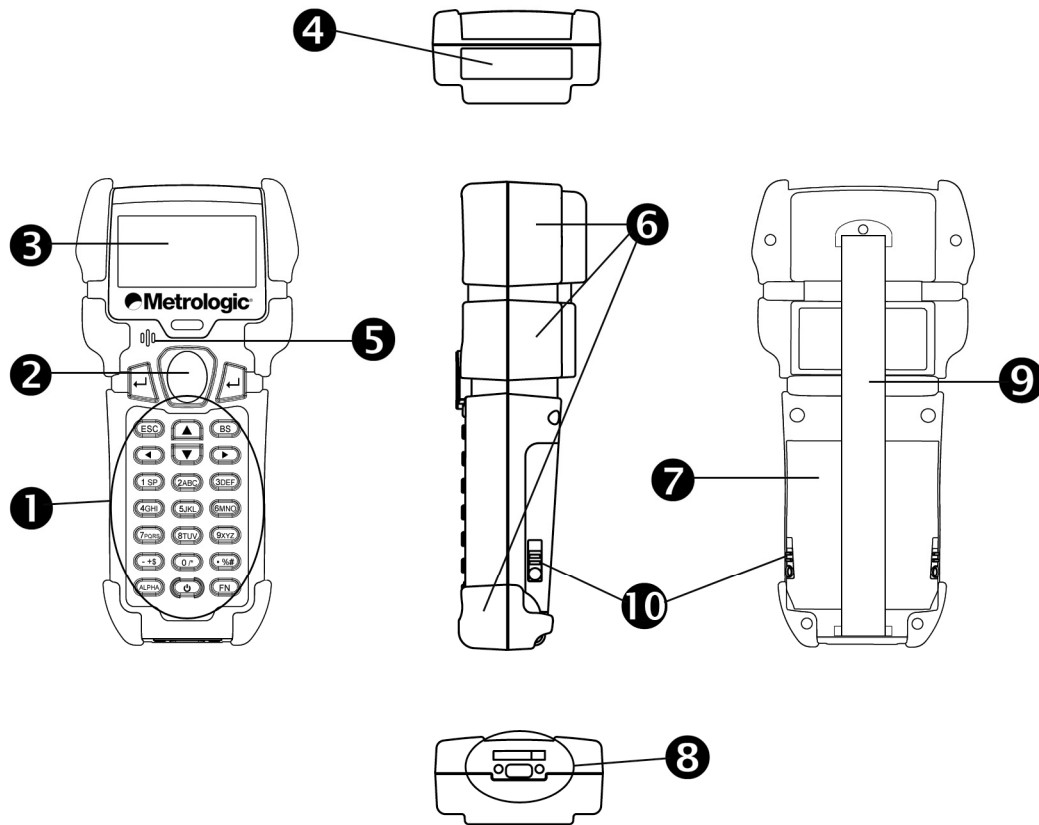


Figure 1. Scanner Features

ITEM NO.	DESCRIPTION
1	Multi-functional Keypad
2	Scan Button
3	LCD display
4	Red Output Window (Laser Aperture)
5	Speaker for audible indicators
6	Protective rubber bumpers
7	Battery Compartment
8	Communication Ports (RS232 and IrDA), Power Adapter Port, and Battery Contacts
9	Comfort Strap
10	Battery Compartment Release

GENERAL FEATURES AND CHARACTERISTICS

CRADLE FEATURES

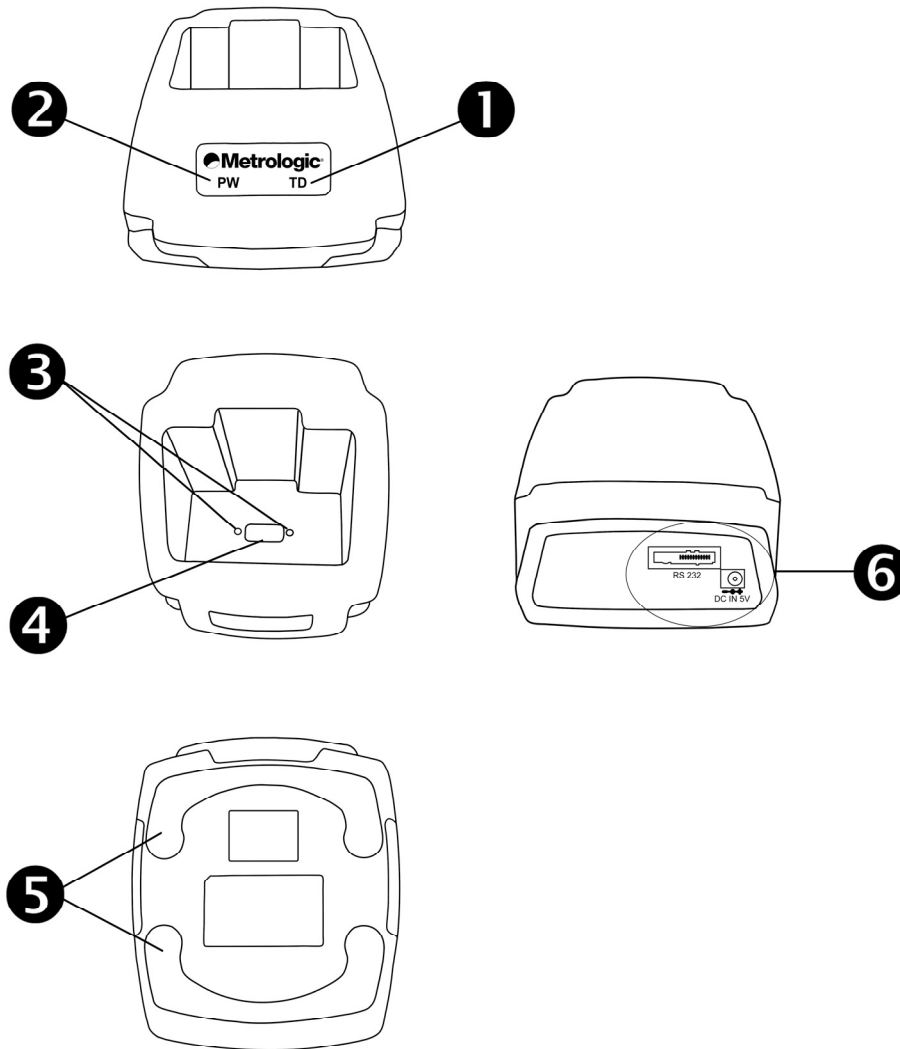


Figure 2. Cradle Features

ITEM NO.	DESCRIPTION
1	LED Transmission Indicator
2	LED Power indicator
3	Battery Contacts
4	IR communication port
5	Rubber Footpads
6	RS232 Communication Port and Power Adapter Port

GENERAL FEATURES AND CHARACTERISTICS

MULTIFUNCTIONAL KEYPAD

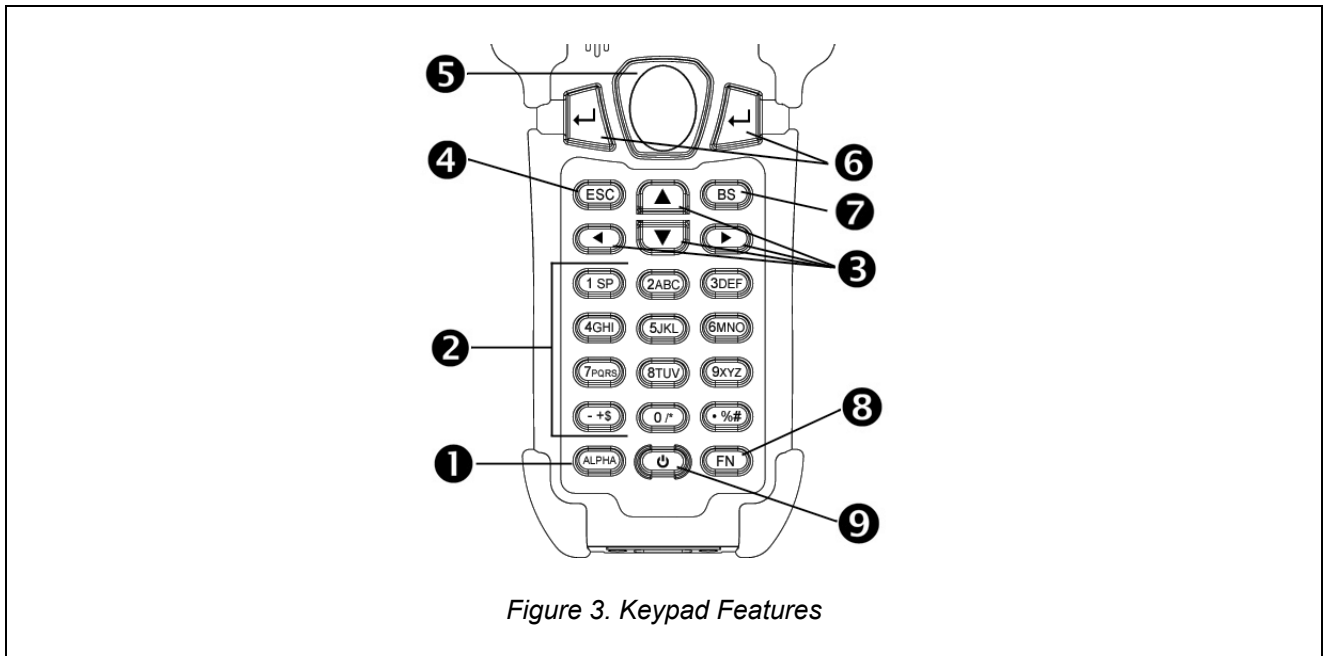


Figure 3. Keypad Features

ITEM No	KEY NAME	DESCRIPTION
1	ALPHA(α)	<i>The toggle key for Alphabet/Numeral input.</i> When the system is in alpha-mode, a small icon will be shown in the lower right corner of the display. Each numeric key can be used to generate one of the three capital letters located on that number key. For example, number 2 can be used to produce A , B , or C . Pressing the same key twice within one second, will produce the letter B . Pressing the same key without halting longer than one second will allow the user to toggle through the three letters. When the key has been depressed for longer than one second or another key has been pressed, the unit will send the real key code to the application program.
2	ALPHANUMERIC	<i>Alphanumeric.</i> These 10 keys can be used for either alpha characters or numerical input. (See Item 8 for further description of key operation)
3	ARROW	<i>Arrow.</i> The four arrow keys located below the <i>Scan</i> key are used to toggle up and down between menu selections.
4	ESC	<i>Escape.</i> This key is used to stop and exit current operation.
5	SCAN	<i>Scan a bar code.</i> Pressing this button will trigger the scanner to read a bar code.
6	ENTER	<i>Enter.</i> There are two enter keys on the side of the scan key. Normally the enter keys are used for command execution or input confirmation.
7	BS	<i>Back Space.</i> This key can be used to toggle back one space or if pressed down longer than one second, a clear code will be sent.
8	FUNCTION(FN)	<i>The function key.</i> This key cannot be activated alone; it must be pressed with one of the numeric keys at the same time. For example, FN + 1 generates function #1, FN + 2 generates function #2, etc (up to 9 functions). Also, this key can be combined with the <i>UP/DOWN</i> arrow keys to adjust the contrast of the LCD. And when this key is combined with the ENTER key, it will turn ON/OFF the backlight.
9	POWER	<i>Power On/Off.</i> To prevent an accidental power down, it requires about 1.5 seconds of continuous pressing to turn On/Off the power.

GENERAL FEATURES AND CHARACTERISTICS

THE LCD SCREEN

The LCD screen of the OptimusR Portable Data Terminal displays program settings, operational parameters, data collected, and much more. The display is a graphical LCD with the following characteristics:

- Display area of 64 pixels x 100 pixels
- Resolution:
 - Maximum of 8 lines x 16 characters
 - Minimum of 4 lines x 12 characters
- Displays alpha-characters, numbers, and symbols
- Automated back light

THE LITHIUM BATTERY

The OptimusR Portable Data Terminal includes a lithium-ion rechargeable battery pack. The battery is inserted (see *Getting Started* for battery installation) into the battery compartment of the Optimus and recharges with Optimus in the cradle and in charging mode.

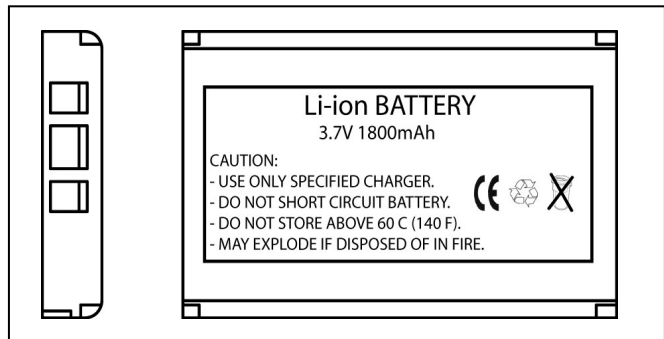


Figure 4. Lithium-Ion Battery

MAINTENANCE

Smudges and dirt on the unit's window can interfere with the unit's performance. If the window requires cleaning, use only a mild glass cleaner containing no ammonia. When cleaning the window, spray the cleaner onto a lint free, non-abrasive cleaning cloth then gently wipe the window clean.

If the unit's case requires cleaning, use a mild cleaning agent that does not contain strong oxidizing chemicals. Strong cleaning agents may discolor or damage the unit's exterior.

GENERAL FEATURES AND CHARACTERISTICS

LABELS

The scanner and cradle have labels that provide important information including the model number, date of manufacture, serial number, safety and regulatory information. Figure 5 provides examples of these labels and their locations.

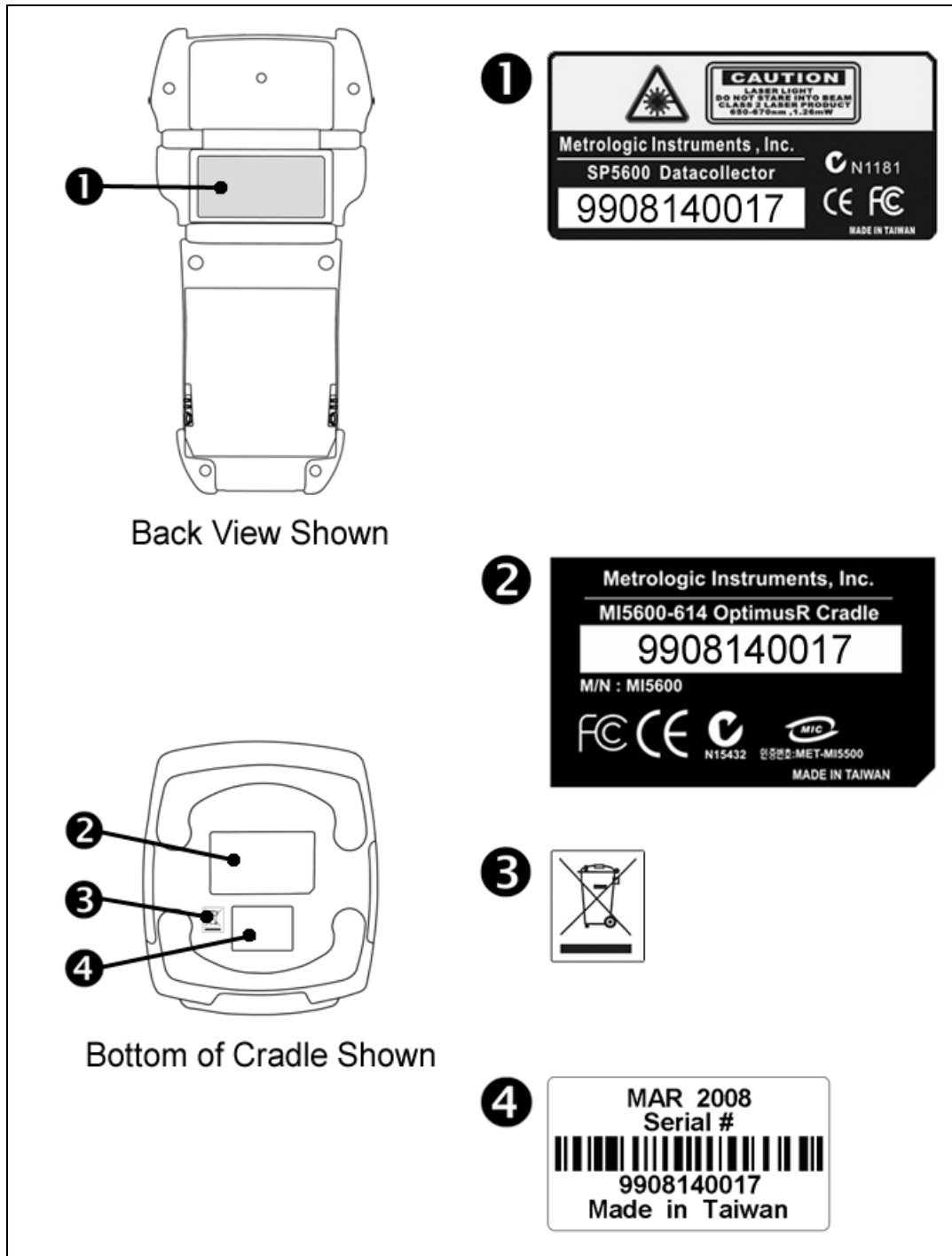



Figure 5. Label Sample and Location

INSTALLATION

GETTING STARTED

The OptimusR Portable Data Terminal (*PDT*) requires minimal effort to begin functional operation for data collection in any application. In order to get started, the unit must have a fresh battery inserted into the battery compartment.

1. Access the battery compartment by removing the battery cover. To remove the cover, pull the cover release up on each side of the compartment and slide the cover away from the unit.
2. Insert the Li-ion battery into the battery compartment, battery information side up and battery contacts to the bottom, at an angle with the battery contacts inserted first.
3. Push the Li-ion battery the remainder of the way into the compartment. The battery will fit snugly into place.
4. Close the battery compartment by sliding the battery cover toward the scan head until the cover locks into place.
5. Turn the unit over, so the keypad is visible and hold down the power button .
6. The LCD graphical display will display a menu and an audible indicator will sound to signify that the Optimus has been powered up properly.
7. Using the arrow keys select the *Run Program* option.
8. Scan a bar code.

Note: The OptimusR comes with a default program loaded that allows users to scan items and enter their quantity. For information on how to create these programs, please refer to the Optimizer manual.

INSTALLATION

BASIC OPERATION

In order for the Optimus to operate properly, an application program must be loaded onto the PDT. It is possible for the Optimus to power up without an active application. On power up if the Optimus has no application program loaded, then the following Program Manager menu options will appear on the display.

MENU OPTIONS	DESCRIPTION
Download	<p>This option allows the user to download application programs (*.SHX), BASIC run-time (bas.ops.shx), BASIC programs (*.SYN) or font files to the terminal. There are six resident locations and one Active Memory. A maximum of seven programs can be downloaded to the terminal. The application program downloaded to the Active Memory will be the only activate program running. In order to activate one of the other programs, immediately after downloading, input a name for the program desired or just press the enter key to keep its current name if one is applicable. This will enable the user to download the program. The application file's type, name, and size will be shown on the list of programs when entering the Download or Activate menu of the Program Manager. The file type is a small letter that follows the program number (01~06), it can be either 'b', 'c' or 'f' which represents BASIC program, C program or font file respectively. The program name is up to 12 characters and the program size is in units of K bytes.</p> <p>NOTE: In order to delete a program, select the program designated for deletion. From the program information screen, press the Alpha/Function key, then zero.</p>
Activate	<p>This option will enable the user to activate one of the resident programs. In order to accomplish this, the user must copy one of the six resident programs to the Active Memory. Upon activation of the new program, the original program in the Active Memory will be replaced.</p> <p>NOTE: A font file cannot be activated, and a BASIC program cannot be activated if the BASIC run-time does not exist.</p>
Upload	<p>The <i>Upload</i> option gives the user additional method for retrieving an application program. It allows a user to transmit the application programs to a host PC or another terminal. This function also allows a terminal to be cloned without going through a PC.</p>

Selecting and successfully completing one of these three menu options will enable the Optimus^R to begin functional operation.

INSTALLATION

COMMUNICATION AND DATA COLLECTION SETUP

The OptimusR Series has various ways of communicating with a host device. Depending on the model of Optimus, it can communicate via RS232, USB, or Wi-Fi connection. The OptimusR can store data in the unit or send data real time via a Wi-Fi connection. The OptimusR has the ability to utilize a RS232 or USB connection to communicate to a host device for both application program downloads and data uploads. The OptimusR includes either a USB or RS232 cable. In order to begin an application download or data transfer the following steps would need to be followed.

1. Remove the Optimus cradle, the power supply, and either the USB or the RS232 cable from the box.
2. Plug the power supply into a power outlet and insert the other end into the cradle. The red LED on the cradle will illuminate if the power supply is connected correctly.
3. Follow steps a, b, or c
 - a. For the RS232 cable, plug the 9 pin serial connector into a serial port on the host device. Plug the opposite end into the communication port of the cradle.
 - b. For the USB cable, plug the USB end of the cable into an appropriate communication port on the host device and the opposite end of the cable into the communication port of the cradle*.
 - c. For the Wi-Fi, connection to communicate with the host device the settings on OptimusR and the host device must be configured correctly.
4. Power up the Optimus and select the *Utilities* option. This will open additional menu options.
5. Select the *Transfer Files* option.
6. Select *Get Program* on the next menu. The unit is now ready to download an application program.
7. Place unit in cradle and download the appropriate application program.
8. Once the Optimus has received the application program, the unit is ready for scanning and collecting data.



Note: There are OptimusR models available that do not include the cradle. Models that do not include a cradle as an accessory can have the power supply and the communication cable connected directly to the unit.

* A software driver is required for proper installation. The driver is included with the installation CD provided with each Optimus. In addition, the driver can be downloaded from <http://www.metrologic.com>.

INSTALLATION

DATA UPLOAD

1. To transfer the data collected select the *Utilities* option.
2. Select the *Download Method* option on the next menu and then select the appropriate method for downloading files to the host device.
3. The Wi-Fi can send data in real time, however, if cradle options (Cradle-IR or IrDA) are selected re-insert the Optimus unit into the cradle and upload the data to the host device.

To change the download method select the *Utilities* option from the main menu and then select the *Download Method* from the list of available options. This allows the user to alter the method by which data is transferred to the host device.



Note: Plugging the Optimus into a serial port or USB port on the host device does not guarantee communication with the Optimus. Ensure that the communication port on the host device is not populated by another device. Confirm that the communication settings on both the host device and the Optimus correspond prior to a program download or data upload.

The OptimusRW is similarly connected to the host device and programmed however, there is a key difference in the data collection process. The OptimusRW supports transmission of data wirelessly and as such has the capability of communicating that data in real time. The unit needs to be setup to communicate with the network as follows:

1. With the Optimus powered off, press and hold the 7, 9, and power keys. The System Module menu will appear on screen.
2. Using the arrow keys select the *Wi-Fi Menu* option.
3. The list of settings that appears is the settings that require configuration in order for the Wi-Fi to function effectively.
4. Select *Information* option to view the current configuration settings on the Optimus.
5. Select the *Network Set* option to configure the network settings. This is similar to enabling the network settings on a PC.
6. Select *WLAN Setting* to select and configure the Optimus for the appropriate network available to connect to the host device.
7. Select *Security* to setup any security/authentication settings that match the host device.
8. Select the *Echo Test* to test the settings and verify that the network settings on the Optimus are configured correctly and that the Optimus is communicating with the host device.
9. Power off the Optimus.

Upon completion of the configuration process, and depending on the active application program, the user will be able to begin data transmission via Wi-Fi communication.



Note: Contact a Metrologic Instruments representative if assistance is required when integrating a Metrologic device into a network.

INSTALLATION

THE SYSTEM MENU

The system menu on the Optimus is another useful tool included with the Optimus. The system menu provides information about the Optimus and access to the system menu for configuring the Optimus. In order to access the system module, follow the instructions below:

1. With the Optimus powered off press down and hold the 7, 9, and power button.
2. An audible indicator will sound to indicate that the Optimus is powered on.
3. The Optimus will display the system menu.

System Menu Options

- Information
- Settings
- Tests
- Memory
- Power
- Load Program
- Wi-Fi Menu
- Serial PPP Menu

INFORMATION

The *Information* option provides information about the Optimus including:

- Hardware Version
- Serial Number
- Manufacturing Date
- Application Program Version

Depending on the application program that is active on the Optimus, there are number of settings and options that may be selected for both setup and testing. The tables on page 12 show a number of those settings and their descriptions.


INSTALLATION

SETTINGS

SETTING	DESCRIPTION	DEFAULT
Clock	Set date and time for the system.	N/A
Backlight ON Period	Set the duration for the keyboard/LCD backlight	<i>the light goes off after 20 seconds</i>
CPU Speed	Set CPU running speed. There are five speeds available: Full speed, half speed, quarter speed, eighth speed and sixteenth speed.	<i>Full speed</i>
Auto Off	Set time threshold for automatically power off when no operation is taking place during that specified period. If this value is set to zero, this function will be disabled.	<i>10 minutes</i>
Power On Options	There are two possible selections: Program Resume , which starts from the program being used during the last session before the last power-off; and Program Restart , which starts with a new program.	<i>Program Resume</i>
Key Click	Select a tone for the beeper or disable the beeper when the user presses a key button.	<i>Enable</i>
System Password	Set a password to protect the user from entering the system menu.	<i>no password is set</i>
Font	Current font displayed on the Optimus display	<i>System Font</i>
Reset to Default	Resets the system settings to the default settings	<i>N/A</i>

TESTS

The OptimusR has numerous tests available to the user for both operation and diagnostics. Depending on the application program that is in the active memory will determine which tests can be performed and are available to the user. The following table provides a description of the available tests.

SETTING	DESCRIPTION
Reader	To test the reading performance of the scanner. The following symbologies are enabled for the Reader test. All other symbologies will need to be enabled via programming. <i>Default bar codes: Code 39, Industrial 25, Interleave 25, Codabar, Code 93, Code 128, UPCE, UPCE with ADDON 2, UPCE with ADDON 5, EAN8, EAN8 with ADDON 2, EAN8 with ADDON 5, EAN13, EAN13 with ADDON 2, and EAN13 with ADDON 5</i>
Buzzer	To test the buzzer with different Frequency/Duration. Press ENTER key to start and then press any key to stop the test.
LCD & LED	To test LCD display and LED indicator. Press ENTER key to start and then press any key to stop the test.
Keyboard	To test the rubber keys. Press a key and the result will be shown on the LCD display. Note that the FN key should be used in conjunction with numeral keys.
Memory	To test the data memory (SRAM). Note after the test, the contents of the memory space will be wiped out.  Warning: This test erases any data stored in the terminal.
Echo Test	Echo Test is used to test the communication between the cradle and the PC. Perform Echo test from the host device that the cradle is connected.

INSTALLATION

MEMORY

The menu option provides the user with the ability to gather information on the amount of memory available on the Optimus, as well as the ability to initialize the memory. This is accomplished by choosing one of the two available selections:

1. Size Info.
2. Initialize

Size Info

The Optimus contains three types of memory: Base RAM, SRAM and Flash memory. These three types of memory allow the Optimus to perform operational tasks at an optimal level.

Base RAM: The Base RAM is the primary memory in the Optimus and is the location where application is stored and accessed.

Memory Card: The Memory Card is basically SRAM and is memory that retains data as long as power is being supplied. SRAM does not have to be periodically refreshed and provides quick access to data. This is the location that the data collected will be stored.

Flash memory: Flash memory is a type of constantly powered nonvolatile memory that can be erased and reprogrammed easily. This allows users to program the Optimus effortlessly.

Initialize

This selection enables the user of the Optimus to initialize the memory (SRAM).



Warning: Initializing the memory will erase the current data in memory.

POWER

Selecting the *Power* option allows the user to view the actual voltages of the main battery and the backup battery.

LOAD PROGRAM

The selection of *Load Program* enables the user to download an application program to the Optimus.

Note: For further information on application program downloads see the Optimizer User's guide (MLPN 00-02052).

INSTALLATION

WI-FI MENU

The Wi-Fi Menu will configure the OptimusR with the appropriate network and security settings for Wi-Fi communication.

1. Information
2. Network Set
3. WLAN Setting
4. Security
5. Echo Test



Modifying TCP/IP settings can affect the performance of certain devices. Contact an IT professional to ensure that modifying these settings

Information

The information setting lists the current network settings of the OptimusR.

Network Set

These are the network settings for the OptimusR.

1. SubNet Mask
2. IP Address
3. Gateway
4. DHCP
5. SSID
6. Server IP
7. Server Port
8. Echo Test

WLAN Setting

These are the Wireless Local Area Network settings.

1. Local Name
2. SSID
3. System Scale
4. Power Saving
5. Preamble
6. Ad-Hoc

Security

The security settings provide network authentication configuration settings to provide secure data transfer.

1. Authentications
2. WEP (Wired Equivalent Privacy) Menu
3. EAP (Extensible Authentication Protocol) Menu

Echo Test

Test to verify that the network settings are correct and communication from Optimus to host device is functioning.

INSTALLATION

APPLICATION

The Application module runs on top of the System module. The OptimusR Series Portable Data Terminals are preloaded with the Optimizer's run-time program and the following menu will be shown upon powering the unit up:

1. Run Program
2. Utilities*

Utilizing the arrow keys select the menu option and execute it by pressing the ENTER key. For certain models of the OptimusR series the Data Optimizer program may need to be used in order to handle the in-coming and out-going data to and from a host device. For detailed information, please refer to *Optimizer User's Guide* (MLPN 00-02052) and *DataOptimizer User's Guide*.

Note: If the Application Generator is used to create the application program, it will be necessary to download it to the terminal.

PROGRAMMING THE TERMINAL

There are three software tools available for developing application programs for the terminal.

- The Optimizer Program Builder
- The 'BASIC' Compiler
- The 'C' Compiler

For detailed information, please consult the appropriate manual or contact Metrologic Instruments, Inc.

PROGRAMMING THE COMMUNICATION CRADLE

The communication cradle of the OptimusR Portable Data Terminal supports serial IR interface only. If a customized PC application has been developed for communication with the terminal via the cradle, it will be necessary to first configure the cradle through programming. There is a DLL available for this purpose.

For more information, please contact Metrologic Instruments, Inc.

** To configure the wireless settings of the Optimus, see page 16 and the Wi-Fi menu options available in the system menu.*

TROUBLESHOOTING

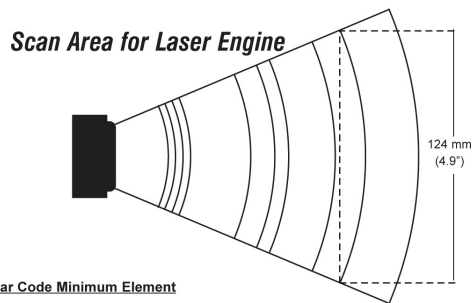
SYMPTOM	DESCRIPTION
The scanner does not power up after pressing POWER key.	Make sure the battery is inserted and charged.
	Charge the battery and check the charging status. If no charging information is shown on the display, reload the battery and check if the battery is properly installed then try again.
	Call for service if problem persists.
The scanner cannot transmit data or programs to/from the terminal.	Check if the cable is plugged tightly into host device and cradle.
	Perform Echo test to confirm communication.
	Check if host communication parameters (COM port, baud rate, data bits, parity, and stop bit) match with the terminals. Verify that the communication port on the host device is not in use by another device.
The keypad does not work properly.	Turn off the power then enter the system menu. From the system menu, select Test and then its sub-item KBD . Perform the key-in test.
	Call for service if problem persists.
The scanner does not scan.	Check if the bar codes used are enabled.
	Check if battery-low indicator is shown on the LCD display. If yes, charge the battery.
	Call for service if problem persists.
Abnormal responses.	Open the battery cap and re-load the battery.
	Enter system menu. Run diagnostic test.
	Call for service if problem persists.

SPECIFICATIONS

		OPTIMUS ^R SERIES	
OPERATIONAL			
Light Source:	Visible Laser Diode (VLD) @ 650 nm		
Normal Depth of Field:	51 mm - 381 mm (2"-15")	0.33 mm (13 mil) bar code	
Width of Scan Field:	305mm (12") @ 381 mm (15")		
<i>Single-Line</i>			
Scan Speed:	42 scan lines per second		
No. of Scan Lines:	1		
Min Bar Width:	0.127 mm (5.0 mil)		
Decode Capability:	All standard 1-D bar codes including RSS-14, RSS-Expanded, and RSS-14 Limited		
Print Contrast:	35% minimum reflectance difference		
No. Characters Read:	Up to 80 data characters Maximum number will vary based on symbology and density.		
Beeper Operation:	7 tones or no beep		
CPU:	16-bit CMOS, low power consumption		
Program Memory:	2 MB Flash ROM		
Data Memory:	2 MB SRAM, expandable to 8 MB		
Display:	LCD 128 x 64 pixels, back-lit		
Display Resolution:	8 lines x 20 Characters (max), 4 Lines x 15 characters (min)		
Communication (Unit):	RS232, USB, IrDA, CradleIR or Wi-Fi		
Communication (Cradle):	RS232 or USB		
Application Development:	Windows-based Optimizer; optional C & BASIC compilers		

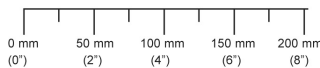
SPECIFICATIONS

OPTIMUSR SERIES	
MECHANICAL	
Width (Unit):	81 mm (3.2")
Depth (Unit):	46 mm (1.8")
Height (Unit):	172 mm (6.77")
Weight (Unit):	10.6 oz (300 g) – including battery
Width (Cradle):	96 mm (3.8")
Depth (Cradle):	106 mm (4.17")
Height (Cradle):	80 mm (3.15")
ELECTRICAL	
Battery Operation:	Li-ion
Battery Backup:	3.7V, 7.0mA hours, rechargeable lithium battery
Operation:	Over 200 hours, Over 16 hours (Wi-Fi)
Laser Class:	CDHR and IEC Class 2 in accordance with IEC 60825 – 1:1993 + A1:1997 + A2:2001
EMC:	FCC Class B
ENVIRONMENTAL	
Operating Temperature:	0°C to 50°C (32°F to 122°F)
Storage Temperature:	-20°C to 60°C (-4°F to 140°F)
Humidity:	5% to 95% relative humidity, non-condensing
Shock Resistance:	1.2 m (4') drop onto concrete



Bar Code Minimum Element

- 0.125 mm (4 mil)
- 0.15 mm (5 mil)
- 0.25 mm (6 mil)
- 0.33 mm (10 mil)
- 0.51 mm (13 mil)



LIMITED WARRANTY

The OptimusR scanners are manufactured in Taipei, Taiwan. The OptimusR scanners have a one (1) year limited warranty from the date of manufacture. Metrologic warrants and represents that all OptimusR scanners are free of all defects in material, workmanship and design, and have been produced and labeled in compliance with all applicable U.S. Federal, state and local laws, regulations and ordinances pertaining to their production and labeling.

This warranty is limited to repair, replacement of product or refund of product price at the sole discretion of Metrologic. Faulty equipment must be returned to one of the following Metrologic repair facilities: Blackwood, New Jersey, USA; Madrid, Spain; or Suzhou, China. To do this, contact the appropriate Metrologic Customer Service/Repair Department to obtain a Returned Material Authorization (RMA) number.

In the event that it is determined the equipment failure is covered under this warranty, Metrologic shall, at its sole option, repair the Product or replace the Product with a functionally equivalent unit and return such repaired or replaced Product without charge for service or return freight, whether distributor, dealer/reseller, or retail consumer, or refund an amount equal to the original purchase price.

This limited warranty does not extend to any Product which, in the sole judgment of Metrologic, has been subjected to abuse, misuse, neglect, improper installation, or accident, nor any damage due to use or misuse produced from integration of the Product into any mechanical, electrical or computer system. The warranty is void if: (i) the case of the Product is opened by anyone other than Metrologic's repair department or authorized repair centers; or (ii) any software is installed on the Product other than a software program approved by Metrologic.

THIS LIMITED WARRANTY, EXCEPT AS TO TITLE, IS IN LIEU OF ALL OTHER WARRANTIES OR GUARANTEES, EITHER EXPRESS OR IMPLIED, AND SPECIFICALLY EXCLUDES, WITHOUT LIMITATION, WARRANTIES OF MERCHANTABILITY AND FITNESS FOR A PARTICULAR PURPOSE UNDER THE UNIFORM COMMERCIAL CODE, OR ARISING OUT OF CUSTOM OR CONDUCT. THE RIGHTS AND REMEDIES PROVIDED HEREIN ARE EXCLUSIVE AND IN LIEU OF ANY OTHER RIGHTS OR REMEDIES. IN NO EVENT SHALL METROLOGIC BE LIABLE FOR ANY INDIRECT OR CONSEQUENTIAL DAMAGES, INCIDENTAL DAMAGES, DAMAGES TO PERSON OR PROPERTY, OR EFFECT ON BUSINESS OR PROPERTY, OR OTHER DAMAGES OR EXPENSES DUE DIRECTLY OR INDIRECTLY TO THE PRODUCT, EXCEPT AS STATED IN THIS WARRANTY. IN NO EVENT SHALL ANY LIABILITY OF METROLOGIC EXCEED THE ACTUAL AMOUNT PAID TO METROLOGIC FOR THE PRODUCT. METROLOGIC RESERVES THE RIGHT TO MAKE ANY CHANGES TO THE PRODUCT DESCRIBED HEREIN.

**CORPORATE HEADQUARTERS,
NORTH AMERICA**
Metrologic Instruments, Inc.
90 Coles Rd.
Blackwood, NJ 08012-4683
Customer Service Department
Tel: 1-800-ID-METRO
Fax: 856-228-6673
Email: info@metrologic.com

**METROLOGIC EUROPEAN REPAIR CENTER
(MERC)**
Metrologic Eria Ibérica, SL
C/Alfonso Gomez, 38-40, 1D
28037 Madrid
Tel: +34 913 751 249
Fax: +34 913 270 437

MTLG AUTO ID INSTRUMENTS (SHANGHAI) Co., LTD
Suzhou Sales Office
BLK A, Room# 03/03-04
No.5 Xinghan Street, Xinsu Industrial Square
China-Singapore Suahou Industrial Park, Suzhou, PRC
Tel: 86-512-67622550
Fax: 86-512-67622560
Email: info@cn.metrologic.com

SAFETY NOTICES

This equipment has been tested and found to comply with the limits for a Class B digital device, pursuant to Part 15 of the FCC Rules. These limits are designed to provide reasonable protection against harmful interference in a residential installation. This equipment generates, uses, and can radiate radio frequency energy and, if not installed and used in accordance with the instructions, may cause harmful interference to radio communications. However, there is no guarantee that interference will not occur in a particular installation. If this equipment does cause harmful interference to radio or television reception, which can be determined by turning the equipment off and on, the user is encouraged to try to correct the interference by one of the following measures:

- Reposition or relocate the receiving antenna.
- Increase the separation between the equipment and receiver.
- Connect the equipment into an outlet on a circuit different from that to which the receiver is connected.
- Consult the dealer or an experienced radio/TV technician for help.

This device complies with Part 15 of the FCC Rules. Operation is subject to the following two conditions: (1) This device may not cause harmful interference, and (2) this device must accept any interference received, including interference that may cause undesired operation.

Any changes or modifications not expressly approved by the manufacturer for compliance could void the user's authority to operate this equipment.

PATENTS

For patent information, please refer to www.honeywellaidc.com/patents.

INDEX

A

activate8
alpha4
alphanumeric4
arrow4

B

backspace4
battery1, 2, 3, 5, 7
BS See backspace

C

cable9
 RS2329
 USB9
 Wi-Fi9
cradle3, 9, 10, 15

D

depth of field17
download8

E

EMC18
enter4
ESC See escape
escape4

F

Flash memory13
FN See function
function4

I

information11
IR port2, 3

K

keypad2, 4

L

label5
LCD screen2, 5
LED3, 9
 red9
lithium-ion See battery
load programs13

M

maintenance5
memory13

N

notices20

O

Optimizer1

P

patents21
power4, 7, 13
power adapter2, 3

R

RAM13
RS232 port2, 3
run time15

S

scan button2
scan field17
scanner2
settings12
specifications
 electrical18
 environmental18
 mechanical18
 operational17
system menu options11

T

temperature18
terminal15
tests12
troubleshooting16

U

upload8

V

VLD17

W

warranty19
Wi-Fi10
Wi-Fi menu14
window2, 5

WORLDWIDE HEADQUARTERS

Metrologic Instruments, Inc.

90 Coles Rd. Blackwood, NJ 08012-4683 • Email: info@metrologic.com

CUSTOMER SERVICE TEL: 1-800-ID-METRO • Corporate Tel: 856-228-8100

Fax: 856-228-6673 (Sales) • 856-228-1879 (Marketing) • Fax: 856-228-0653 (Legal/Finance)

METROLOGIC – THE AMERICAS

USA

Metrologic USA - Headquarters

Tel: 1.856.537.6400

Fax: 1.856.537.6474

Email: info@us.metrologic.com

Mexico

Metrologic Mexico, S.A. DE C.V.

Tel: 55.5365.6247

Fax: 55.5362.2544

Email: info@mx.metrologic.com

South America

Metrologic do Brasil Ltda.

Tel: 52.55.11.5182.7273

Fax: 52.55.11.5182.7198

Email: info@sa.metrologic.com

South America

Metrologic South America

Tel: 1.239.642.1958

Fax: 1.239.642.1959

Email: info@sa.metrologic.com

OMNIPLANAR

USA

Tel: 856.374.5550

Fax: 856.374.5576

Email: info@omniplanar.com

NOVODISPLAY

USA

Tel: 856.537.6139

Fax: 856.537.6116

Email: info@NOVODisplay.com

METROLOGIC – EMEA

Central Europe

Metrologic Instruments GmbH

Headquarters

Tel: 49-89-89019-0

Fax: 49-89-89019-200

Email: info@de.metrologic.com

France

Metrologic Eria France SA

Tel: +33 (0) 1 48.63.78.78

Fax: +33 (0) 1 48.63.24.94

Email: info@fr.metrologic.com

METROLOGIC – EMEA

Spain

Metrologic Eria Iberica, SL

Tel: +34 913 272 400

Fax: +34 913 273 829

Email: info@es.metrologic.com

Russia

Metrologic Instruments LLC

Tel: +7 (495) 737 7273

Fax: +7 (495) 737 7271

Email: info@ru.metrologic.com

Italy

Metrologic Instruments Italia

Tel: +39 0 57 6511978 or

+39 051 651 1978

Fax: +39 0 51 6521337

Email: info@it.metrologic.com

Poland

Metrologic Instruments

Poland

Tel: +48 (22) 545 04 30

Fax: +48 (22) 545 04 31

Email: info@pl.metrologic.com

United Kingdom

Metrologic Instruments

UK Limited

Tel: +44 (0) 1256 365900

Fax: +44 (0) 1256 365955

Email: info@uk.metrologic.com

METROLOGIC – APAC

Asia

Metrologic Asia (Pte) Ltd

Headquarters

Tel : (65) 6842-7155

Fax : (65) 6842-7166

Email: info@sg.metrologic.com

China

Suzhou Sales Office

Headquarters

Tel: 86-512-67622550

Fax: 86-512-67622560

Email: info@cn.metrologic.com

China

Beijing Sales Office

Tel/Fax: 86 10 82253472

Email: info@cn.metrologic.com

METROLOGIC – APAC

China

Chengdu Sales Office

Tel/Fax: 86 28 86200109

Email: info@cn.metrologic.com

China

Guangzhou Sales Office

Tel: 86-20-38823476

Fax: 86-20-38823477

Email: info@cn.metrologic.com

China

Shanghai

Tel: 86-21-58356616

Fax: 86-21-58358873

Email: info@cn.metrologic.com

India

India Sales Office

Tel: +91 80 41256718

Fax: +91 80 41256719

Email: info@in.metrologic.com

Korea

Korea Sales Office

Tel: 82-2-6205-5379

Fax: 82-2-3444-3980

Email:

Scott.lee@kr.metrologic.com

Japan

Metrologic Japan Co., Ltd.

Tel: 81-3-3839-8511

Fax: 81-3-3839-8519

Email: info@jp.metrologic.com

Thailand

Metrologic Thailand

Tel: +662-610-3787

Fax: +662-610-3601

Email:

tawan.jandang@th.metrologic.com

Australia

Metrologic Australia

Tel: 61 2 9652 2726 (international)

Tel: 02 9816 6470 (local)

Tel: 1 800 99 88 38 (Australia)

Email: kmason@au.metrologic.com

NOTES

NOTES

NOTES

June 2008



00 - 02064B

Free Manuals Download Website

<http://myh66.com>

<http://usermanuals.us>

<http://www.somanuals.com>

<http://www.4manuals.cc>

<http://www.manual-lib.com>

<http://www.404manual.com>

<http://www.luxmanual.com>

<http://aubethermostatmanual.com>

Golf course search by state

<http://golfingnear.com>

Email search by domain

<http://emailbydomain.com>

Auto manuals search

<http://auto.somanuals.com>

TV manuals search

<http://tv.somanuals.com>