



METROLOGIC INSTRUMENTS, INC.  
MX009 USB Converter  
Configuration Guide



## Copyright

© 2005 by Metrologic Instruments, Inc. All rights reserved. No part of this work may be reproduced, transmitted, or stored in any form or by any means without prior written consent, except by reviewer, who may quote brief passages in a review, or provided for in the Copyright Act of 1976.

Products and brand names mentioned in this document are trademarks of their respective companies.

# TABLE OF CONTENTS

---

Introduction	
How does the MX009 USB Cable Operate?.....	1
What is the difference between USB Keyboard Emulation and USB Serial Emulation? .....	1
How is the MX009 Configured for USB Keyboard Emulation?.....	2
How is the MX009 Configured for USB Serial Emulation? .....	3
MX009 USB Cable Options .....	4
Part Number Designation and Accessories .....	5
Cable Installation .....	6
Labels .....	7
Configuring for USB Keyboard Emulation (MX009-2xx7x)	
PowerLink Compatible Scanners.....	8
MS6720, MS860, and Tech Series.....	11
Configuring For USB Serial Emulation (MX009-2xx8x)	
PowerLink Compatible Scanners.....	16
MS6720, MS860, and Tech Series.....	17
Troubleshooting Guide .....	19
Specifications.....	20
Cable Information.....	21
Limited Warranty.....	22
Notices .....	23
Patent Information.....	24
Additional Bar Codes .....	25
Contact Information and Office Locations.....	30



## INTRODUCTION

---

Metrologic's MX009 USB Cable is a device that converts serial RS232 formatted data to either USB Keyboard or USB Serial communication protocol. The MX009 can be used with all Metrologic products equipped with an RS232 interface, as well as all versions of Metrologic PowerLink compatible scanners.



All versions of Metrologic's PowerLink compatible scanners are equipped with RS232 transmit and receive communication lines.

- **HOW DOES THE MX009 USB CABLE OPERATE?**

The scanner transmits scanned data via RS232 communication to the MX009. The MX009 then converts the data from RS232 to either USB Keyboard or USB Serial data. The MX009 will only function with Metrologic scanners that are equipped with RS232 communication capabilities. All PowerLink compatible scanners are equipped with the ability to communicate RS232 independent of the interface purchased. For a list of Metrologic PowerLink compatible scanners, refer to page 5.



Some older Metrologic scanners may not be used with an MX009 since they have only one interface available. For example, the MS951 with OCIA interface will not function with an MX009 because it does not have RS232 capabilities.

- **WHAT IS THE DIFFERENCE BETWEEN USB KEYBOARD EMULATION AND USB SERIAL EMULATION?**

When the MX009 is set-up for Keyboard Emulation, the scanned data will appear in the active PC application as if the keys were pressed on the PC's keyboard.

When the MX009 is set-up to communicate as a USB Serial device, the data emulates serial (RS232) data through the use of a Metrologic developed driver. The device will then work with existing serial (RS232) applications.

The drivers can be downloaded at:

**For Windows 2000/XP Operating Systems**

<ftp://ftp.metrologic.com/pub/download/software/mtlgpos.zip>

**For Windows 98 (Second Edition) Operating System**

<ftp://ftp.metrologic.com/pub/download/software/mtlgpos98.zip>

The MX009 leaves the factory set for either USB Keyboard Emulation or USB Serial Emulation. Refer to pages 8 - 18 of this manual to determine the set-up of your MX009.

## INTRODUCTION

---

- **HOW IS THE MX009 CONFIGURED FOR USB KEYBOARD EMULATION?**

This guide contains the configuration bar codes necessary to ensure that the scanner communicates properly with the MX009. The scanner communicates using RS232 protocol. The default (RS232) settings of the scanner are as follows:

- *For Non-PowerLink Scanners*  
9600 baud, 7 data bits, 2 stop bits and space parity
- *For PowerLink Scanners*  
9600 baud, 8 data bits, 1 stop bits and no parity

In addition, the scanner uses ACK/NAK and XON/XOFF software handshaking, and the data transmission ends with both *carriage return* and *line feed* suffixes.

On non-PowerLink scanners, the 1<sup>st</sup> and 2<sup>nd</sup> prefixes are used to set the country of the keyboard.

### NOTE #1

Please note, some of the older Metrologic products allow for a maximum of 2 prefixes. Because 2 prefixes are required for setting the country, custom prefixes cannot be set on these products. Please refer to the scanner configuration guide for the number of configurable prefixes available on your product.

**Example #1:** MS951, German Keyboard, Bar Code = 012345, No custom prefixes available.

Configuration:	<Ctl-V>	<D>	<012345>	<CR><LF>
	Pref #1	Pref #2	Data	Terminators

Data Transmitted = 012345<CR>

Prefixes #1 and #2 specify the German keyboard and the <CR> <LF> terminators are needed by the MX009 for framing the data. Only 2 custom prefixes are available on the MS951\*, MS6720, MS700, MS860, Tech Series, IS4120\* and IS4220\*.

\* *Discontinued Models*

- **HOW IS THE MX009 CONFIGURED FOR USB SERIAL EMULATION?**

This guide contains the configuration bar codes necessary to ensure that the scanner communicates properly with the MX009. The scanner communicates using RS232 protocol. The default (RS232) settings of the scanner are as follows:

- *For Non-PowerLink Scanners*  
9600 baud, 7 data bits, 2 stop bits and space parity
- *For PowerLink Scanners*  
9600 baud, 8 data bits, 1 stop bits and no parity

In addition, the scanner uses ACK/NAK and XON/XOFF software handshaking, and the data transmission ends with both *carriage return* and *line feed* suffixes.

### **NOTE #2**

When using USB Serial, special prefixes are not required.

# MX009 USB CABLE OPTIONS

MX009 USB KEYBOARD EMULATION CABLES	PART NUMBER		CONNECTOR TYPE		COMPATIBLE SCANNER MODELS <i>Discontinued scanner models are shown in grey.</i>
		STRAIGHT COILED	USB END	SCANNER END	
	MX009-2MA7	S C	Type A	10-pin RJ45 Male	
MX009-2FA7	S C	Type A	10-pin RJ45 Female	MS6720-14, IS4225-14, IS4225-81 MS951-14, MS961-14, IS4220-14, IS4220-81	
MX009-2WA7	S	Type A	25-pin D-Sub Female	MS860-1, MS860-2, MS860-11, MS860-17 MS700-1, MS700-2, MS700-11, MS700-17	
MX009-2MB7	S C	Locking Type A	10-pin RJ45 Male	All versions of the: MS6220, MS6520, IS6520, MS7100, MS7220, MS9500, MS3580 and IS3580	
MX009-2FB7	S C	Locking Type A	10-pin RJ45 Female	MS6720-14, IS4225-14, IS4225-81 MS951-14, MS961-14, IS4220-14, IS4220-81	
MX009-2WB7	S	Locking Type A	25-pin D-Sub Female	MS860-1, MS860-2, MS860-11, MS860-17, MS700-1, MS700-2, MS700-11, MS700-17	

MX009 USB SERIAL EMULATION CABLES	PART NUMBER		CONNECTOR TYPE		COMPATIBLE SCANNER MODELS <i>Discontinued scanner models are shown in grey.</i>
		STRAIGHT COILED	USB END	SCANNER END	
	MX009-2MA8	S C	Type A	10-pin RJ45 Male	
MX009-2FA8	S C	Type A	10-pin RJ45 Female	MS6720-14, IS4225-14, IS4225-81 MS951-14, MS961-14, IS4220-14, IS4220-81	
MX009-2WA8	S	Type A	25-pin D-Sub Female	MS860-1, MS860-2, MS860-11, MS860-17 MS700-1, MS700-2, MS700-11, MS700-17	
MX009-2MB8	S C	Locking Type A	10-pin RJ45 Male	All versions of the: MS6220, MS6520, IS6520, MS7100, MS7220, MS9500, MS3580 and IS3580	
MX009-2FB8	S C	Locking Type A	10-pin RJ45 Female	MS6720-14, IS4225-14, IS4225-81 MS951-14, MS961-14, IS4220-14, IS4220-81	
MX009-2WB8	S	Locking Type A	25-pin D-Sub Female	MS860-1, MS860-2, MS860-11, MS860-17 MS700-1, MS700-2, MS700-11, MS700-17	



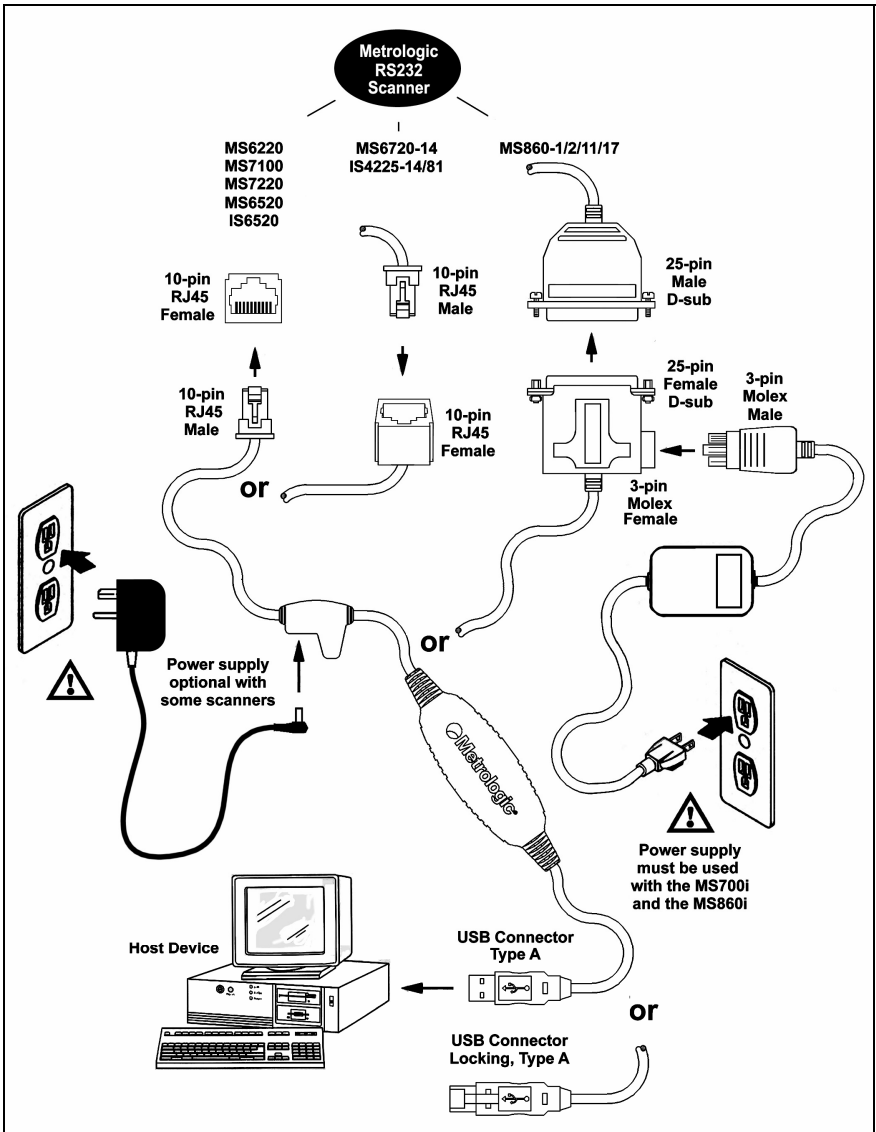
# MX009 PART NUMBER DESIGNATION AND ACCESSORIES

PARTS AND ACCESSORIES	
Part No.	Description
MX009 USB Converter Cable	
MX009-2xx7x	USB Keyboard Emulation Cable
MX009-2xx8x	USB Serial Emulation Cable
<h3 style="margin: 0;">PART NUMBER DESIGNATION</h3> <div style="text-align: center; margin: 10px 0;"> <p style="font-size: 1.2em; font-weight: bold; margin: 0;">MX009-2MA7SN-12</p> </div> <div style="display: flex; justify-content: space-between; align-items: flex-start; margin-top: 10px;"> <div style="width: 30%;"> <p style="border: 1px solid black; padding: 5px; margin-bottom: 10px;">2 = Dark Grey 3 = Black</p> <p style="border: 1px solid black; padding: 5px; margin-bottom: 10px;">M = Male F = Female W = 25 Pin D-Sub</p> <p style="border: 1px solid black; padding: 5px; margin-bottom: 10px;">USB Connector Type A = Type A B = Locking Type A</p> </div> <div style="width: 30%; text-align: center;"> <p style="border: 1px solid black; padding: 5px; margin-bottom: 10px;">7 = USB Keyboard Emulation 8 = USB Serial Emulation</p> </div> <div style="width: 30%;"> <p style="border: 1px solid black; padding: 5px; margin-bottom: 10px;">FS = Full Speed Number = Length</p> <p style="border: 1px solid black; padding: 5px; margin-bottom: 10px;">N = No PowerLink</p> <p style="border: 1px solid black; padding: 5px; margin-bottom: 10px;">C = Coiled Cable S = Straight Cable</p> </div> </div>	
Application Dependent	AC to DC Power Transformer (Optional)
00-02574x	MX009 USB Converter Cable Configuration Guide <sup>†</sup>

<sup>†</sup> Available for download on Metrologic's website, [www.metrologic.com](http://www.metrologic.com).

To order additional items, contact the dealer, distributor or call Metrologic's Customer Service Department at 1-800-METRO or 1-800-436-3876.

# CABLE INSTALLATION



Make sure the AC input requirements of the power supply match the AC outlet. The outlet should be near the equipment and easily accessible.

# LABELS

Each MX009 has CE, UL and caution information embedded in the back of the case. The following is an example of embedded information.

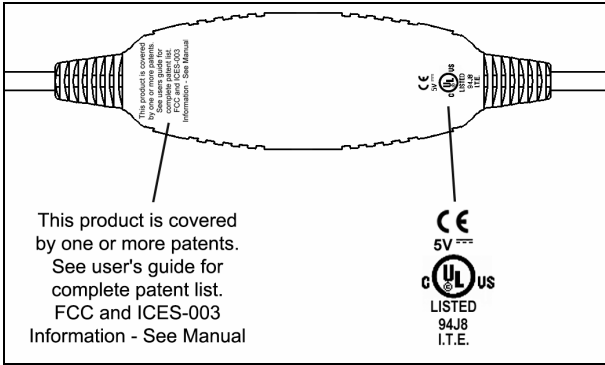


Figure 1.

Each MX009 will also have a flag tag attached to the cable with the date of manufacture, model number, and serial number.

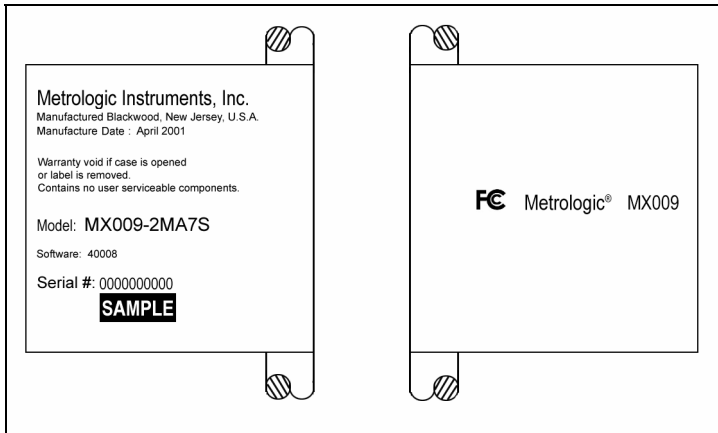


Figure 2.

\*\* Illustrations shown are not actual size.

# CONFIGURING FOR USB KEYBOARD EMULATION (MX009-2xx7x)

## PowerLink Compatible Scanners

These Metrologic Scanners, used with the MX009 Cable **must** be reconfigured using the following bar codes before the MX009 can communicate properly with a host system.

- MS9500 Voyager<sup>®</sup> Series
- MS7100 Orbit<sup>®</sup>
- MS7220 ArgusSCAN<sup>®</sup>
- MS6520 Cubit<sup>®</sup>
- IS6520 Cubit<sup>®</sup>
- MS6220 Pulsar<sup>®</sup>
- MS3580 QuantumT<sup>™</sup>
- IS3480 QuantumE<sup>™</sup>
- IS4225 ScanGlove<sup>™</sup>
- All MetroSelect Compatible Scanners

**Note:** Configuration for USB Keyboard Emulation must be completed before enabling/disabling any additional features documented in the configuration guide provided with the scanner.



**Important:** When enabling/disabling additional features do not scan the *Recall Defaults* bar code. If the Recall Defaults bar code is scanned, all USB Keyboard Emulation configurations will be lost and the process will have to be restarted.

Scan the following bar codes in numbered sequence.

1.



2.



3.



## CONFIGURING FOR USB KEYBOARD EMULATION (MX009-2xx7x)

---

4. Scan the appropriate bar code below to set USB Keyboard Emulation to the country keyboard required (*defaults to USA*).



*Continued on next page.*

# CONFIGURING FOR USB KEYBOARD EMULATION (MX009-2xx7x)

---



5.



10

# CONFIGURING FOR USB KEYBOARD EMULATION (MX009-2xx7x)

## MS6720, MS860, AND TECH SERIES

These Metrologic Scanners, used with the MX009 Cable **must** be reconfigured using the following bar codes before the MX009 can communicate properly with a host system.

- MS6720
- MS860
- Tech Series

**Note:** Configuration for USB Keyboard Emulation must be completed before enabling/disabling any additional features documented in the configuration guide provided with the scanner.



**Important:** When enabling/disabling additional features do not scan the *Recall Defaults* bar code. If the Recall Defaults bar code is scanned, all USB Keyboard Emulation configurations will be lost and the process will have to be restarted.

Scan the following bar codes in numbered sequence.

1.



2.



3.



*Continued on next page.*

# CONFIGURING FOR USB KEYBOARD EMULATION (MX009-2xx7x)

---

4.



5.



6.



7.



8.



*Continued on next page.*



# CONFIGURING FOR USB KEYBOARD EMULATION (MX009-2xx7x)

---

9. Scan **one** of the following bar codes to set Keyboard Emulation.



*Continued on next page.*

# CONFIGURING FOR USB KEYBOARD EMULATION (MX009-2xx7x)

---



*Continued on next page.*

# CONFIGURING FOR USB KEYBOARD EMULATION (MX009-2xx7x)

---



10.



# CONFIGURING FOR USB SERIAL EMULATION (MX009-2xx8x)

## PowerLink Compatible Scanners

These Metrologic scanners **must** be reconfigured using the following bar codes before the MX009 can communicate properly with the host system.

- MS9500 Voyager Series
- MS7100 Orbit
- MS7220 ArgussCAN
- MS6520 Cubit
- IS6520 Cubit
- MS6220 Pulsar
- MS3580 QuantumT
- IS3480 QuantumE
- IS4225 ScanGlove
- All MetroSelect Compatible Scanners

**Note:** Configuration for USB Serial Emulation must be completed before enabling/disabling any additional features documented in the configuration guide provided with the scanner.



**Important:** When enabling/disabling additional features do not scan the *Recall Defaults* bar code. If the *Recall Defaults* bar code is scanned, all USB Serial Emulation configurations will be lost and the process will have to be restarted.

Scan the following bar codes in numbered sequence.

1.



2.



3.



4.



# CONFIGURING FOR USB SERIAL EMULATION (MX009-2xx8x)

## MS6720, MS860, AND TECH SERIES

These Metrologic scanners **must** be reconfigured using the following bar codes before the MX009 can communicate properly with a host system.

- MS6720
- MS860
- Tech Series

**Note:** Configuration for USB Serial Emulation must be completed before enabling/disabling any additional features documented in the configuration guide provided with the scanner.

**!** **Important:** When enabling/disabling additional features do not scan the *Recall Defaults* bar code. If the *Recall Defaults* bar code is scanned, all USB Serial Emulation configurations will be lost and the process will have to be restarted.

Scan the following bar codes in numbered sequence.

1.



2.



3.



*Continued on next page.*

# CONFIGURING FOR USB SERIAL EMULATION (MX009-2xx8x)

---

4.



5.



6.



## TROUBLESHOOTING GUIDE

The following guide is for reference purposes only. Contact a Metrologic representative at 1-800-ID-METRO or 1-800-436-3876 to preserve the limited warranty terms on page 22.

### Test Bar Code

Scanning the following bar code will transmit the encoded characters followed by the software number of the MX009.



SYMPTOMS	POSSIBLE CAUSE(S)	SOLUTION
No LEDs, beep or laser	No Power is being supplied to the scanner	Make sure the cable is plugged into the scanner. Check the transformer (if one is supplied), the outlet and power strip.
No LEDs, beep, or laser	No power is being supplied from the USB port.	The MX009 requests 100mA from the USB port. If the USB port cannot supply this, a notification window will appear on the screen.
After scanning a bar code, the Red and Green LEDs are on, but no data is being transmitted to the host.	The scanner is not programmed properly for communication to the MX009.	Re-program the scanner using the appropriate codes for your scanner model (Refer to pages 8-18).
<b>USB Keyboard Emulation</b>		
After scanning a bar code, the scanner beeps, but the characters appear incorrectly in your application.	The scanner is not programmed correctly. The incorrect country has been selected.	Re-program the scanner using the appropriate codes for your scanner model (Refer to pages 8-18).
The scanner powers up, but does not scan and/or beep.	Scanning a particular bar code symbology that is not enabled.	UPC/EAN, Code 39, Interleaved 2 of 5, Code 93, Code 128 and Codabar are enabled by default. Verify that the type of bar code being read is enabled.

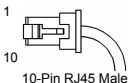

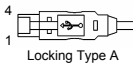
## SPECIFICATIONS



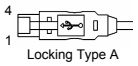
<b>MX009 USB CONVERTER CABLE SPECIFICATIONS</b>	
<b>MECHANICAL</b>	
Dimensions:	80.4 mm (3.2") L x 32.4 mm (1.3") W x 18.7 mm (0.7") H
Weight:	160 g (0.35 lb)
Termination:	10-pin modular RJ45 Male to USB 10-pin modular RJ45 Female to USB. 25-pin Female D-Sub to USB
Cable:	Straight or Coiled
<b>ELECTRICAL</b>	
Input Voltage:	5.0 VDC $\pm$ 0.25V
EMC:	FCC, ICES-003 & EN 55022 Class B
<b>ENVIRONMENTAL</b>	
Temperature:	Operating: 0°C to 40°C (32°F to 104°F)
	Storage: -40°C to 60°C (-40°F to 140°F)
Humidity:	5% to 95% relative humidity, non condensing
Contaminants:	Sealed to resist airborne particulate contaminants
Ventilation:	None required

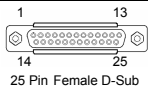

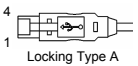
*Specifications subject to change without notice.*



# CABLE INFORMATION

Scanner Connector End		USB Connector End	
 10-Pin RJ45 Male		 Type A	OR  Locking Type A
<b>Pin</b>	<b>Function</b>	MX009-2MA7x and MX009-2MA8x	MX009-2MB7x and MX009-2MB8x
1	Ground	x = C (coiled) or S (Straight) cable	
2	TXD		
3	RXD	<b>Pin</b>	<b>Function</b>
4	RTS	1	Vbus
5	CTS	2	D-
6	DTR/LP	3	D+
7	Reserved	4	Ground
8	LP Data		
9	+5 VDC From Transformer		
10	SHD/GND		

Scanner Connector End		USB Connector End	
 10-Pin RJ45 Female		 Type A	OR  Locking Type A
<b>Pin</b>	<b>Function</b>	MX009-2FA7x and MX009-2FA8x	MX009-2FB7x and MX009-2FB8x
1	Ground	x = C (coiled) or S (Straight) cable	
2	TXD		
3	RXD	<b>Pin</b>	<b>Function</b>
4	RTS	1	Vbus
5	CTS	2	D-
6	DTR/LP SRC	3	D+
7	Reserved	4	Ground
8	LP Data		
9	+5 VDC From Transformer		
10	SHD/GND		

Scanner Connector End		USB Connector End	
 25 Pin Female D-Sub		 Type A	OR  Locking Type A
<b>Pin**</b>	<b>Function</b>	MX009-2WA7x and MX009-2WA8x	MX009-2WB7x and MX009-2WB8x
2	RS232 Receive	x = C (coiled) or S (Straight) cable	
3	RS232 Transmit		
7	Signal Ground	<b>Pin</b>	<b>Function</b>
13	Earth Ground	1	Vbus
14	Power GND #1	2	D-
19	Power In	3	D+
25	Power GND #2	4	Ground
** Pins not shown are "No Connect".			

## LIMITED WARRANTY

---

The MX009 USB converter cables are manufactured by Metrologic at its Blackwood, New Jersey, U.S.A. facility and at its Suzhou, China facility. The MX009 USB converter cables have a two (2) year limited warranty from the date of manufacture. Metrologic warrants and represents that all MX009 USB converter cables are free of all defects in material, workmanship and design, and have been produced and labeled in compliance with all applicable U.S. Federal, state and local laws, regulations and ordinances pertaining to their production and labeling.

This warranty is limited to repair, replacement of product or refund of product price at the sole discretion of Metrologic. Faulty equipment must be returned to one of the following Metrologic repair facilities: Blackwood, New Jersey, USA; Madrid, Spain; or Suzhou, China. To do this, contact the appropriate Metrologic Customer Service/Repair Department to obtain a Returned Material Authorization (RMA) number.

In the event that it is determined the equipment failure is covered under this warranty, Metrologic shall, at its sole option, repair the Product or replace the Product with a functionally equivalent unit and return such repaired or replaced Product without charge for service or return freight, whether distributor, dealer/reseller, or retail consumer, or refund an amount equal to the original purchase price.

This limited warranty does not extend to any Product which, in the sole judgment of Metrologic, has been subjected to abuse, misuse, neglect, improper installation, or accident, nor any damage due to use or misuse produced from integration of the Product into any mechanical, electrical or computer system. The warranty is void if the case of Product is opened by anyone other than Metrologic's repair department or authorized repair centers.

THIS LIMITED WARRANTY, EXCEPT AS TO TITLE, IS IN LIEU OF ALL OTHER WARRANTIES OR GUARANTEES, EITHER EXPRESS OR IMPLIED, AND SPECIFICALLY EXCLUDES, WITHOUT LIMITATION, WARRANTIES OF MERCHANTABILITY AND FITNESS FOR A PARTICULAR PURPOSE UNDER THE UNIFORM COMMERCIAL CODE, OR ARISING OUT OF CUSTOM OR CONDUCT. THE RIGHTS AND REMEDIES PROVIDED HEREIN ARE EXCLUSIVE AND IN LIEU OF ANY OTHER RIGHTS OR REMEDIES. IN NO EVENT SHALL METROLOGIC BE LIABLE FOR ANY INDIRECT OR CONSEQUENTIAL DAMAGES, INCIDENTAL DAMAGES, DAMAGES TO PERSON OR PROPERTY, OR EFFECT ON BUSINESS OR PROPERTY, OR OTHER DAMAGES OR EXPENSES DUE DIRECTLY OR INDIRECTLY TO THE PRODUCT, EXCEPT AS STATED IN THIS WARRANTY. IN NO EVENT SHALL ANY LIABILITY OF METROLOGIC EXCEED THE ACTUAL AMOUNT PAID TO METROLOGIC FOR THE PRODUCT. METROLOGIC RESERVES THE RIGHT TO MAKE ANY CHANGES TO THE PRODUCT DESCRIBED HEREIN.

### **CORPORATE HEADQUARTERS, NORTH AMERICA**

#### **Metrologic Instruments, Inc.**

90 Coles Rd.  
Blackwood, NJ 08012-4683  
Customer Service Department  
Tel: 1-800-ID-METRO  
Fax: 856-228-6673  
Email: [info@metrologic.com](mailto:info@metrologic.com)

### **METROLOGIC EUROPEAN REPAIR CENTER (MERC)**

#### **Metrologic Eria Ibérica, SL**

C/Alfonso Gomez, 38-40, 1D  
28037 Madrid  
Tel: +34 913 751 249  
Fax: +34 913 270 437

### **MTLG AUTO ID INSTRUMENTS (SHANGHAI) Co., LTD**

#### **Suzhou Sales Office**

BLK A, Room# 03/03-04  
No.5 Xinghan Street, Xinsu Industrial Square  
China-Singapore Suahou Industrial Park, Suzhou, PRC  
Tel: 86-512-67622550  
Fax: 86-512-67622560  
Email: [info@cn.metrologic.com](mailto:info@cn.metrologic.com)

## NOTICES

---

**TESTED TO COMPLY  
WITH FCC STANDARDS  
FOR HOME OR OFFICE USE**

### **Notice**

This device complies with Part 15 of the FCC Rules. Operation is subject to the following two conditions: (1) This device may not cause harmful interference, and (2) this device must accept any interference received, including interference that may cause undesired operation.

### **Notice**

This equipment has been tested and found to comply with the limits for a Class B digital device, pursuant to Part 15 of the FCC rules. These limits are designed to provide reasonable protection against harmful interference in a residential installation. This equipment generates, uses and can radiate radio frequency energy and, if not installed and used in accordance with the instruction, may cause harmful interference to radio communications. However, there is no guarantee that interference will not occur in a particular installation. If this equipment does cause harmful interference to radio or television reception, which can be determined by turning the equipment off and on, the user is encouraged to try to correct the interference by one or more of the following measures:

- Reorient or relocate the receiving antenna
- Increase the separation between the equipment and receiver
- Connect the equipment into an outlet on a circuit different from that to which the receiver is connected
- Consult the dealer or an experienced radio TV technician for help

Any unauthorized changes or modifications of this equipment could void the users authority to operate this device.

### **Notice**

This Class B digital apparatus complies with Canadian ICES-003.

### **Avertissement**

Cet appareil numérique de la class B est conforme à la norme NMB-003.

## NOTICES

---

### **DECLARATION OF CONFORMITY**

According to 47 CFR, Part 2 and 15 for Class B Personal Computers and Peripherals; and/or CPU Boards and Power Supplies used with Class B Personal Computers:

We: Metrologic Instruments, Inc.

Located at: 90 Coles Road  
Blackwood, NJ 08012

Telephone: 856-228-8100

Declare under sole responsibility that the product identified herein, complies with 47 CFR Part 2 and 15 of the FCC rules as a Class B digital device. Each product marketed is identical to the representative unit tested and found to be in compliant with the standards. Records maintained continue to reflect the equipment being produced can be expected to be within the variation accepted, due to quality production and testing on a statistical basis as required by 47 CFR § 2.909. Operation is subject to the following two conditions: (1) this device may not cause harmful interference, and (2) this device must accept any interference received, including interference that may cause undesired operation.

Trade Name: METROLOGIC

Type of Product: Bar Code Scanner

Model: MX009 alphanumeric suffix may follow.

## PATENT INFORMATION

---

For patent information, please refer to [www.honeywellaidc.com/patents](http://www.honeywellaidc.com/patents).

## ADDITIONAL BAR CODES

---

Some Metrologic scanners require alternate configuration steps than the steps found on pages 8 - 18. If your scanner was manufactured before May 2002 or does not accept the standard configuration sequences, you may need to use one of the alternate configuration methods listed on the following pages. *Contact a Metrologic customer service representative to help determine if your scanner requires one of these methods.*

### Alternate Configuration for USB Keyboard Emulation (MX009-2xx7x) PowerLink Compatible Scanners

1.



2.



3.



4.



5.



6.



## ADDITIONAL BAR CODES

---

7.



8. Scan the appropriate bar code below to set USB Keyboard Emulation to the country keyboard required.



# ADDITIONAL BAR CODES

---



9.



# ADDITIONAL BAR CODES

---

## Alternate Configuration for USB Serial Emulation (MX009-2xx8x) PowerLink Compatible Scanners

1.



2.



3.



4.



5.



*Continued on next page.*



# ADDITIONAL BAR CODES

---

6.



7.



# CONTACT INFORMATION AND OFFICE LOCATIONS

---

## **CORPORATE HEADQUARTERS**

### **NORTH AMERICA**

#### **USA, New Jersey**

Metrologic Instruments, Inc.  
Tel: 1-800-ID-METRO Fax: 856-228-6673  
Email: [info@metrologic.com](mailto:info@metrologic.com)

### **SOUTH AMERICA AND CENTRAL AMERICA**

#### **Brazil São Paulo**

Metrologic do Brasil Ltda.  
Tel: 55-11-5182-8226 Fax: 55-11-5182-8315  
Email: [info@br.metrologic.com](mailto:info@br.metrologic.com)

#### **Outside Brazil São Paulo**

Metrologic South America  
Tel: 55-11-5182-7273 Fax: 55-11-5182-7198  
Email: [info@sa.metrologic.com](mailto:info@sa.metrologic.com)

### **ASIAN HEADQUARTERS**

#### **Asia, Singapore**

Metrologic Asia (Pte) Ltd  
Tel: (65) 6842-7155 Fax: (65) 6842-7166  
Email: [info@sg.metrologic.com](mailto:info@sg.metrologic.com)

#### **China**

MTLG Auto ID Instruments (Shanghai) Co., Ltd  
Tel: 86-2158692780 Fax: 86-21-58692782  
Email: [info@cn.metrologic.com](mailto:info@cn.metrologic.com)

Metro (Suzhou) Sales Office  
Tel: 86-512-67622550 Fax: 86-512-67622560  
Email: [info@cn.metrologic.com](mailto:info@cn.metrologic.com)

Guangzhou Sales Office  
Tel: 86-20-38823476 Fax: 86-20-38823477  
Email: [info@cn.metrologic.com](mailto:info@cn.metrologic.com)

Beijing Sales Office  
Tel/Fax: 86 10 82253472  
Email: [info@cn.metrologic.com](mailto:info@cn.metrologic.com)

#### **Japan, Tokyo**

Metrologic Japan Co., Ltd.  
Tel: 81-03-3839-8511 Fax: 81-03-3839-8519  
Email: [info@jp.metrologic.com](mailto:info@jp.metrologic.com)

### **India, Bangalore**

Metrologic India  
Tel: +91 80 51256718 Fax: +91 80 51256719  
Email: [info@in.metrologic.com](mailto:info@in.metrologic.com)

### **EUROPEAN, MIDDLE EAST & AFRICAN HEADQUARTERS**

#### **Germany, Munich**

Metrologic Instruments GmbH  
Tel: 49-89-89019-0 Fax: 49-89-89019-200  
Email: [info@europe.metrologic.com](mailto:info@europe.metrologic.com)

#### **Germany, Austria and Switzerland**

Tel: 49-89-89019-0 Fax: 49-89-89019-200  
Email: [info@de.metrologic.com](mailto:info@de.metrologic.com)

#### **Eastern Europe and Middle East**

Tel: 49-89-89019-222 Fax: 49-89-89019-173

#### **Italy, Bologna**

Metrologic Instruments Italia srl  
Tel: +39 0 51 6511978 Fax: +39 0 51 6521337  
Email: [info@it.metrologic.com](mailto:info@it.metrologic.com)

#### **France, Paris**

Metrologic Eria France SA  
Tel: +33 (0) 1 48.63.78.78  
Fax: +33 (0) 1 48.63.24.94  
Email: [info@fr.metrologic.com](mailto:info@fr.metrologic.com)

#### **Spain, Madrid**

Metrologic Eria Ibérica, SL  
Tel: +34 913 272 400 Fax: +34 913 273 829  
Email: [info@es.metrologic.com](mailto:info@es.metrologic.com)

Metrologic European Repair Center (MERC)  
Metrologic Eria Ibérica, SL  
Tel: +34 913 751 249 Fax: +34 913 270 437

#### **United Kingdom, Basingstoke**

Metrologic Instruments UK Limited  
Tel: +44 (0) 1256 365900  
Fax: +44 (0) 1256 365955  
Email: [info@uk.metrologic.com](mailto:info@uk.metrologic.com)

#### **Russia, Moscow**

Metrologic Russia  
Tel: +7 095 730 7424 Fax: +7 095 730 7425  
Email: [info@ru.metrologic.com](mailto:info@ru.metrologic.com)

#### **Poland, Warsaw**

Metrologic Instruments Poland Sp.z o.o  
Tel: +48 (22) 545 04 30  
Fax: +48 (22) 545 04 31  
Email: [info@pl.metrologic.com](mailto:info@pl.metrologic.com)



June 2005

Printed in the USA



0 0 - 0 2 5 7 4 D

## Free Manuals Download Website

<http://myh66.com>

<http://usermanuals.us>

<http://www.somanuals.com>

<http://www.4manuals.cc>

<http://www.manual-lib.com>

<http://www.404manual.com>

<http://www.luxmanual.com>

<http://aubethermostatmanual.com>

Golf course search by state

<http://golfingnear.com>

Email search by domain

<http://emailbydomain.com>

Auto manuals search

<http://auto.somanuals.com>

TV manuals search

<http://tv.somanuals.com>