

Optional Wall/Tabletop Stand (PN 46-00885)

To fix mount the stand to the wall:

1. Drill two #39 pilot holes in the wall spaced 39 mm (1.54") apart on a horizontal centerline.
2. Install one #8 wood screw in each of the pilot holes, leaving a space between the head of the screw and the wall surface.
3. Locate the two slots marked as "A" on the stand base in *Figure 5*.
4. Match the "A" slots on the stand to the heads of the installed wood screws.
5. Slide the stand over the screw heads and down to lock the stand in place.

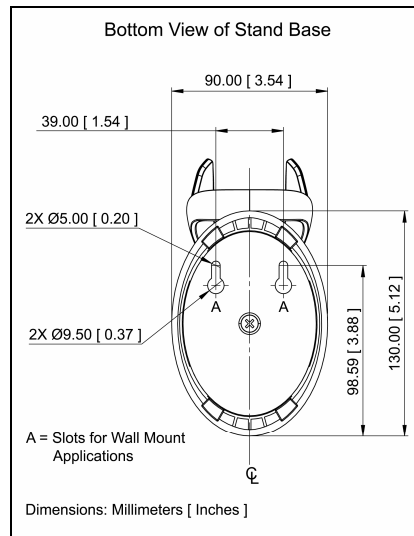


Figure 5.

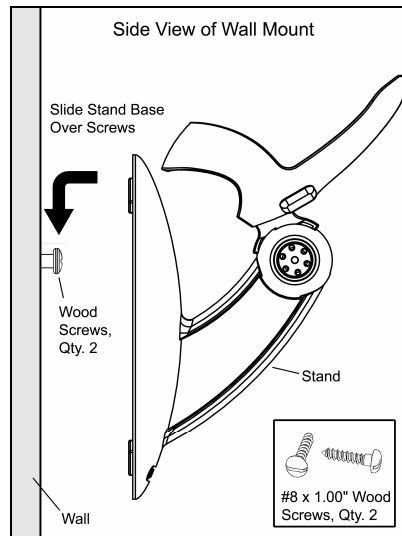
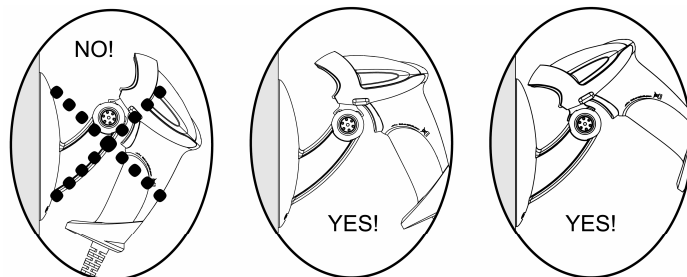


Figure 6.

Cradle Angle Warning



Copyright 2007, Metrologic Instruments, Inc.

MS9590 STAND INSTALLATION GUIDE

Flex Stand Components (PN 46-00709)

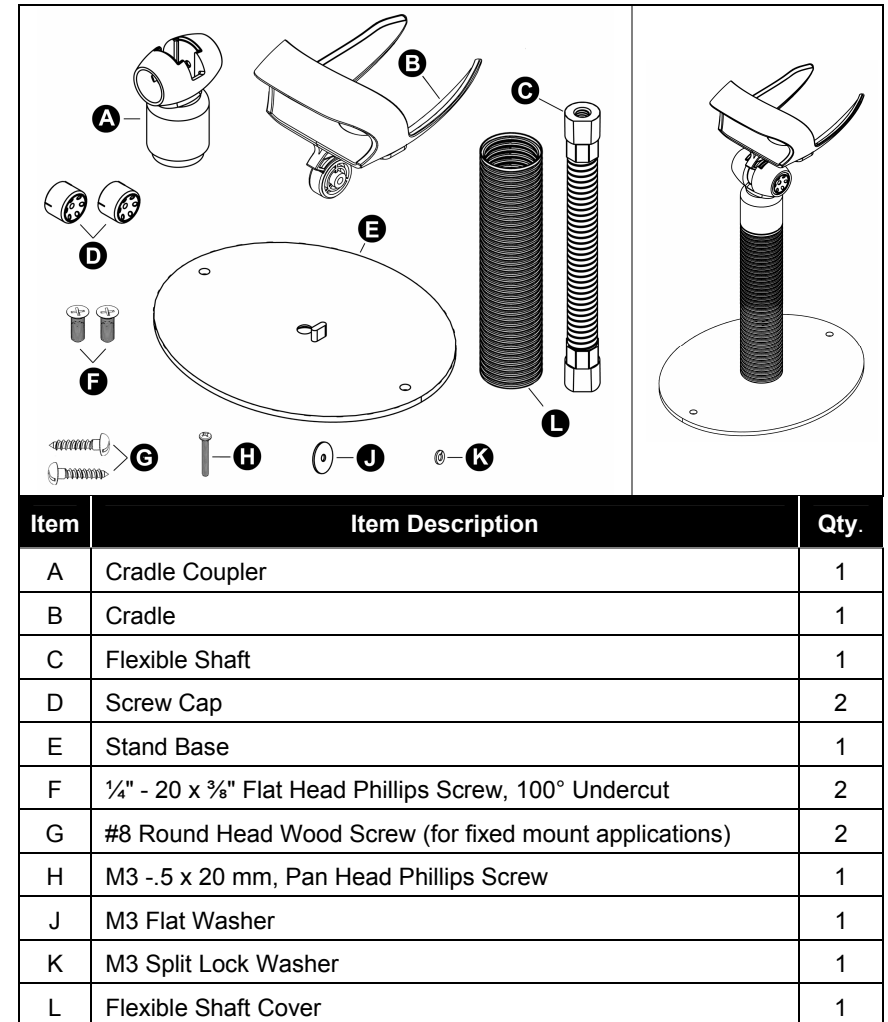


Figure 1. Stand Components

November 2007

Printed in the USA



0 0 - 0 5 2 4 9 B

Flex Stand Assembly (PN 46-00709)

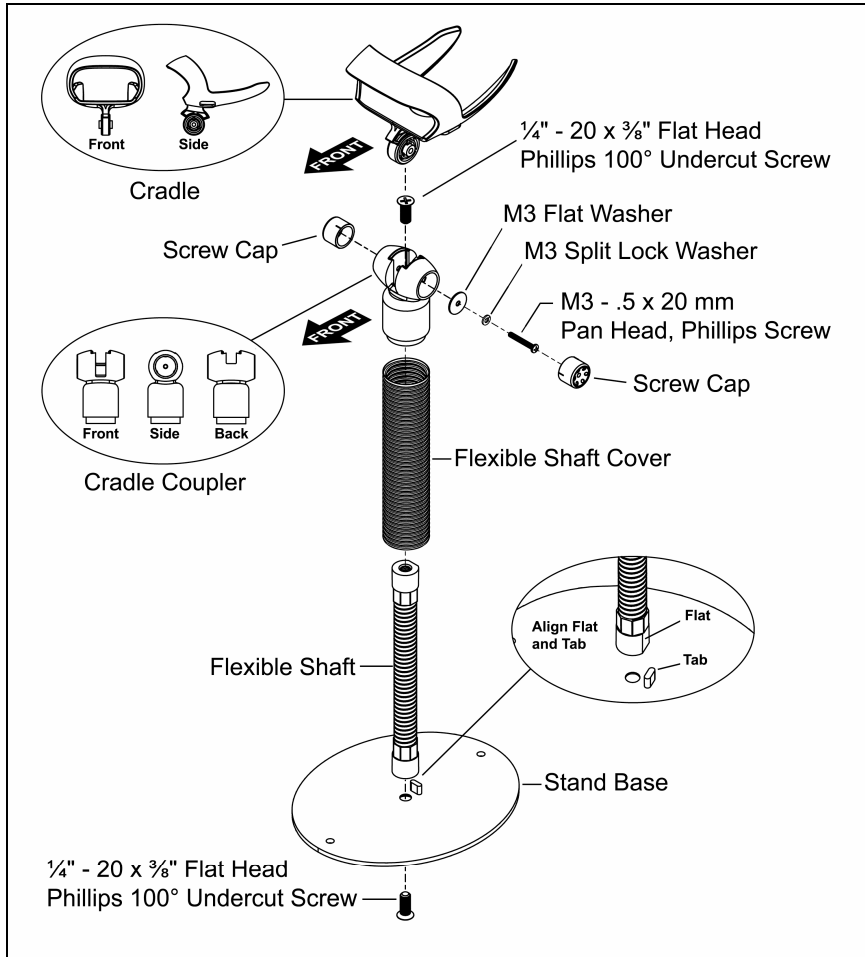


Figure 2. Stand Assembly

Optional Flex Stand Fixed Mount (PN 46-00709)

1. In the kit, two #8 wood screws have been provided for fixed mount applications.
2. When choosing the stand location, make sure to consider the front orientation of the stand (indicated in Figure 3).
3. On a centerline, drill two #39 pilot holes in the countertop spaced 125 mm (4.92") apart. The stand base can be used as a guide for the spacing of the pilot holes.
4. Secure the stand base to the countertop with the two #8 wood screws provided.

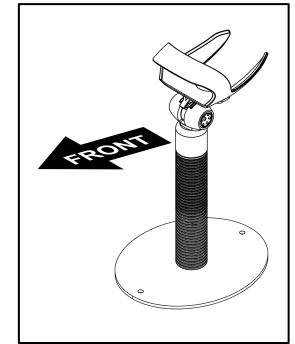


Figure 3.

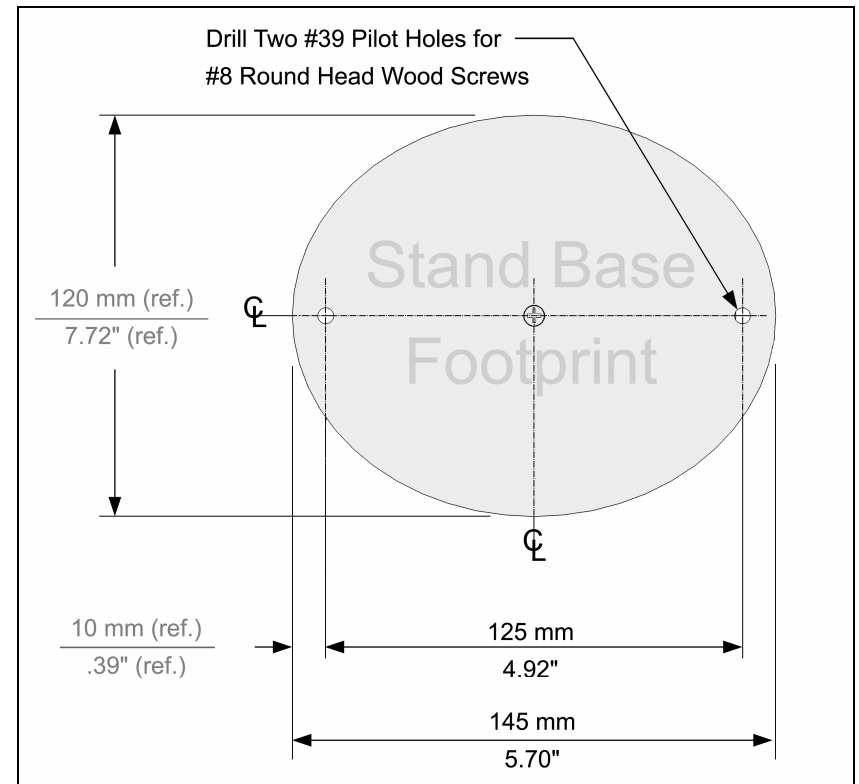


Figure 4. Stand Base Hole Pattern (Not to Scale)

Free Manuals Download Website

<http://myh66.com>

<http://usermanuals.us>

<http://www.somanuals.com>

<http://www.4manuals.cc>

<http://www.manual-lib.com>

<http://www.404manual.com>

<http://www.luxmanual.com>

<http://aubethermostatmanual.com>

Golf course search by state

<http://golfingnear.com>

Email search by domain

<http://emailbydomain.com>

Auto manuals search

<http://auto.somanuals.com>

TV manuals search

<http://tv.somanuals.com>