

OPERATORS AND PARTS MANUAL NO. 02-1-QD
FOR
3100 & 4100 SERIES

MEYER

QUICK DUMP REAR UNLOAD BOX

3100 SERIES:

3116
3118
3120

4100 SERIES

4116
4118
4120
4122



MEMBER



Over
60 years
of service
to our customers

MANUFACTURED BY

Meyer Mfg. Corp.

COUNTY HWY. A WEST
P.O. BOX 405
DORCHESTER, WISCONSIN 54425-0405
PHONE 715-654-5132 • FAX 715-654-5513
1-800-325-9103
WWW.MEYERMFG.COM
E-MAIL: SALES@MEYERMFG.COM



INTRODUCTION

Congratulations on the purchase of your new Meyer Quick Dump Rear Unload Box. This is the simplest, most flexible system on the market today. With proper operation and preventative maintenance it will last for years.



This **SAFETY ALERT SYMBOL** means **ATTENTION! BE CAREFUL! YOUR SAFETY IS INVOLVED!** It stresses an attitude of **HEADS UP FOR SAFETY**. When you see this symbol, be alert to the possibility of **PERSONAL INJURY** and carefully read the message that follows.



WARNING: NEVER OPERATE WITHOUT ALL COVERS, SHIELDS AND GUARDS IN PLACE. KEEP HANDS, FEET AND CLOTHING AWAY FROM MOVING PARTS. SOME COVERS AND GUARDS HAVE BEEN REMOVED FOR ILLUSTRATIVE PURPOSES ONLY IN THIS MANUAL. FAILURE TO HEED MAY RESULT IN SERIOUS PERSONAL INJURY OR DEATH.

At the front of this manual is a Product Registration and Inspection Certificate. Be sure your dealer has completed this certificate and forwarded a copy to the manufacturer to validate the manufacturer's warranty. The product model and serial number are recorded on this certificate for your conveyance

and for proper identification of your dump box by your dealer and the manufacturer when ordering repair parts. The serial number tag is found on the left rear drive frame plate and is also stamped near the PTO shaft hanger bracket on the left front up-right.

All references to right hand (RH), left hand (LH), front and rear apply to the product as viewed looking at the rear of the box.

For information on ordering repair parts, refer to the repair parts section of this manual. Orders must list the complete description, correct part number, and total amount required.

You are urged to study this manual and follow the instructions carefully. Your efforts will be repaid in better operation and service as well as a savings in time and repair expense. Failure to read this manual and understand the machine could lead to serious injury. If you do not understand instructions in this manual, contact either your dealer or Meyer Manufacturing Corp. at Dorchester, WI 54425.

This supercedes all previous published instructions.

Warranty

Meyer Mfg. Corp. warrants new Meyer's quick dump rear unload boxes to be free from defects in material and workmanship under normal recommended use and service, as stated in the operator's manual, as follows:


1. Meyer Mfg. will repair or replace F.O.B. Dorchester, WI, as Meyer Mfg. elects, any part of a new Meyer's dump box which is defective in material or workmanship.
 - a. Without charge for either parts or labor during the first year following delivery to the original retail customer, and;
 - b. Without charge for parts (not labor) during the second year following delivery to the original retail customer.
2. In addition to the above basic warranty, Meyer Mfg. will replace or repair, F.O.B. Dorchester, WI as Meyer's elects;
 - a. Any aluminized or galvaneal painted steel panel which comprises the sides and rear of the box portion of the dump box, upon evidence satisfactory to Meyer Mfg., that any such panels either rusted or corroded through or cracked, or split as a result of a defect in material or workmanship.
 - b. The warranty on aluminized and galvaneal steel panels shall apply during the first 10 years following delivery to the original retail customer.
3. Warranty forms must be completed and returned to Meyer Mfg. for this warranty to be valid.
4. This warranty is effective on all sales of Meyer dump boxes made after 1-1-1986.
5. This warranty is the sole and exclusive warranty which is applicable in connection with the manufacture and sale of this product and Meyer Mfg. Corp. responsibility is limited accordingly.


TABLE OF CONTENTS


INTRODUCTION	2
TABLE OF CONTENTS.	3
SAFETY.	4
SAFETY DECALS.	5
SAFETY PRECAUTIONS.	6
PRE-OPERATION	7
TRANSPORTING	8
OPERATION	9
ADJUSTMENTS	11
APRON CHAIN.	11
ROLLER CHAIN DRIVES	11
LUBRICATION.	12
REPAIR PARTS	14

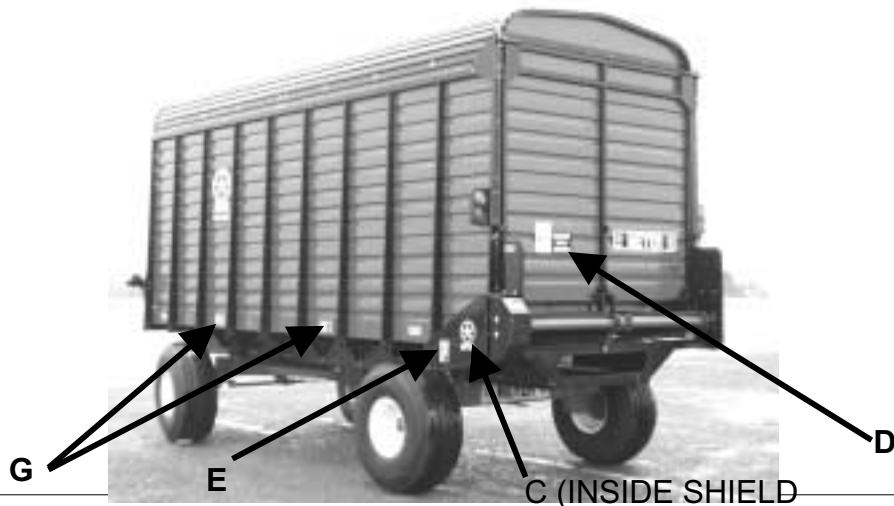
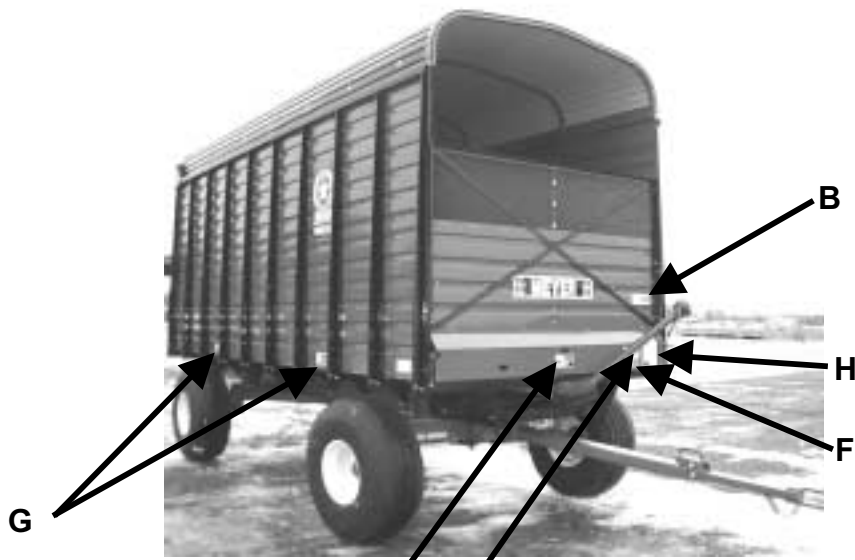
SAFETY


A brief definition of signal words that are used in this manual is as follows:

 **DANGER** indicates an imminently hazardous situation which, if not avoided, WILL result in death or serious injury.

 **WARNING** indicates a potentially hazardous situation which, if not avoided, COULD result in death or serious injury.

 **CAUTION** indicates a potentially hazardous situation which, if not avoided, MAY result in minor or moderate injury. It is also used to alert against unsafe practices.

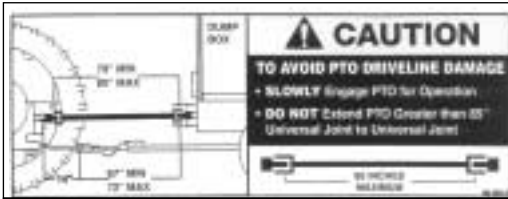


 **CAUTION:** READ ALL DECALS ON THE FORAGE BOX AND IN THIS MANUAL. KEEP THESE DECALS CLEAN AND REPLACE ANY LOST OR DESTROYED DECALS. BECOME FAMILIAR WITH ALL TRACTOR AND FORAGE BOX CONTROLS.

SAFETY DECALS



DECAL A.
PART #46-0001-4



DECAL B.
PART #46-0001-12



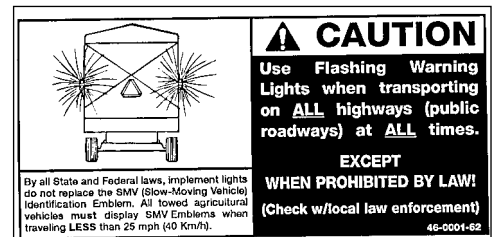
DECAL C.
PART #46-0001-26



DECAL D
PART #46-0011



DECAL E
PART #46-0001-33




DECAL F
PART #46-0001-62

SAFETY INSTRUCTIONS


SAFETY FIRST

(Do Not Operate This Machine Without Reading These Instructions)

Meyer Mfg. Corp. always takes the operator's safety into consideration when designing farm machinery by covering exposed moving parts for his protection; however, some areas cannot be guarded or shielded in order to assure proper operation.

This safety alert symbol  means ATTENTION! BE CAREFUL! YOUR SAFETY IS INVOLVED! It stresses an attitude of HEADS UP FOR SAFETY, also read all other decals as they are also safety warnings.

Remember: The careful operator is the best operator. Most accidents are caused by human error. Certain precautions must be observed to prevent the possibility of injury or damage.

Read the  **HEADS UP** Rules before you operate our equipment.

- DO NOT** allow persons other than the authorized adult operator near the machine.
- DO NOT** clean, adjust or lubricate the machine when any part is in operation.
- DO NOT** hook a tractor with a 1000 RPM PTO speed to the unloader.
- DO NOT** pass in front of discharge area of machine when implement is in operation.

IF THE MACHINE BECOMES CLOGGED, DISENGAGE POWER TAKE-OFF, REMOVE KEYS FROM TRACTOR, AND ALLOW ALL MECHANISMS TO STOP BEFORE CLEANING.

KEEP HANDS, FEET, CLOTHING AND HAIR AWAY FROM ALL MOVING PARTS WHEN MACHINE IS IN OPERATION. LOOSE OR FLOPPY CLOTHING SHOULD NOT BE WORN BY THE OPERATOR.

STOP ENGINE, WAIT FOR ALL MOVEMENT TO STOP BEFORE LEAVING OPERATOR'S POSITION TO ADJUST, LUBRICATE, CLEAN OR UNCLOG MACHINES. UNLESS OTHERWISE SPECIFICALLY RECOMMENDED IN THE "OPERATOR'S MANUAL."

NEVER START THE MACHINE UNTIL ALL GUARDS AND SAFETY SHIELDS ARE SECURED IN PLACE.

KEEP OFF EQUIPMENT UNLESS SEAT OR PLATFORM FOR OPERATION AND OBSERVATION IS PROVIDED. KEEP ALL OTHERS OFF.

PTO SHIELD MUST ROTATE FREELY AND BE IN PLACE.

ALWAYS RUN PTO STRAIGHT IN LINE TO AVOID AN ACCIDENT BY BREAKAGE.

YOU MUST OBSERVE ALL APPLICABLE TRAFFIC LAWS WHEN TRANSPORTING ON PUBLIC ROADWAYS (WHERE LEGAL TO DO SO). CHECK LOCAL LAWS FOR ALL HIGHWAY LIGHTING AND MARKING REQUIREMENTS AND COMPLY WITH THESE LAWS.

MAKE CERTAIN EVERYONE IS CLEAR OF MACHINE BEFORE STARTING ENGINE OR OPERATION

PLEASE KEEP ALL DECALS AND SLOW MOVING VEHICLE SIGN CLEAN SO THEY ARE LEGIBLE.

If any decal becomes damaged or lost, call your dealer or our plant for replacement.
Always use GENUINE MEYER replacement parts.

46-0001-22

DECAL H.
PART #46-0001-22



DECAL G.
PART #46-0001-20



DECAL I.
PART #46-0001-35



ADMA SAFETY MANUAL SUPPLIED
PART #46-0013



SAFETY PRECAUTIONS

- This equipment can be hazardous in the hands of an unfamiliar, untrained or careless operator.
- For your safety you must not operate, service, inspect or otherwise handle this equipment unless you have read the Owner's Manual and have been properly trained in its intended usage.
- Require anyone who will operate this machine to read and understand this manual. Give necessary instructions.
- Do not operate until all shields, covers and guards are in place.
- Keep hands, feet and clothing away from moving parts. Loose or floppy clothing should not be worn by the operator.
- Make certain everyone is clear of equipment before applying power.
- Do not allow minors (or children) or inexperienced person to operate this machine.
- Always shut off power and disconnect power take-off shaft or optional Hydraulic drive supply hoses (relieve hydraulic pressure) from tractor to prevent accidental startup or unexpected movement before working on machine.
- Make sure all hydraulic fittings are tight and that all hoses are in good condition. Hydraulic fluid escaping under pressure can have sufficient force to penetrate skin and cause serious injury. Never investigate for hydraulic leaks by using a part of the body to feel for escaping fluid.
- If the machine becomes clogged, shut off the tractor engine and allow all mechanisms to stop. Disconnect power take-off shaft or optional hydraulic drive supply hoses (relieve hydraulic pressure). Then clean or work on the machine as required.
- Do not step over the power take-off shaft. Stay clear of the power take-off shaft at all times.
- Stay well clear of the rear opening discharge while operating. Pressure of the forage against this door may cause door to open quickly and with force when latch releases.
- Do not step up on any part of the dump box at any time.
- Keep power take-off shaft telescoping tube shields turning freely. Keep power take-off master shield on tractor. Replace shields missing or damaged.
- Inspect when first delivered and regularly thereafter; that all connections and bolts are tight and secure before operating.
- Never operate power take-off above its normal 540 RPM rating. Never connect dump box to a 1000 RPM tractor power take-off.
- Do not tow at speeds in excess of 10 MPH.
- You must observe all applicable traffic laws when transporting on public roadways (where legal to do so). Check local laws for all highway lighting and marking requirements.
- Always install a SMV emblem on dump box for transporting on roadways and keep this emblem clean.

FAILURE TO HEED MAY RESULT IN SERIOUS PERSONAL INJURY OR DEATH.

PRE-OPERATION

Be sure your dump box is properly mounted to the running gear. Consult your dealer if you have any questions about the tie down kit from the manufacturer and illustrated in the parts listing of this manual.

This dump box is to be operated with 540 rpm PTO only. Set your tractor drawbar to conform to the standard dimensions shown on figure 1. This will ensure that the PTO drive shaft will not be over extended.

! **DANGER:** DO NOT OPERATE WITHOUT PTO GUARD ON MACHINE AND ON TRACTOR. MAINTAIN PTO DRIVE SHAFT GUARD TUBES IN OPERATING CONDITION. REPLACE THEM IF DAMAGED AND NOT TURNING FREELY. FAILURE TO HEED MAY RESULT IN SERIOUS PERSONAL INJURY OR DEATH.

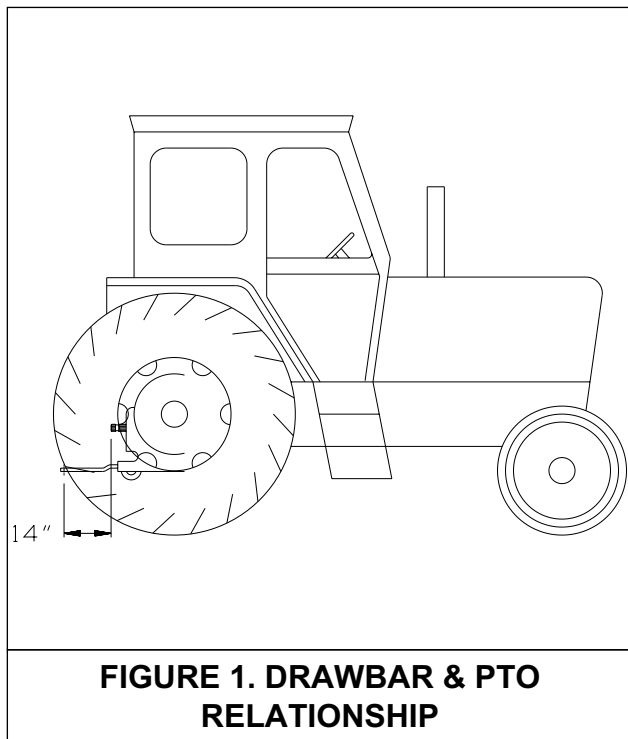
! **WARNING:** INSPECT REGULARLY THAT ALL CONNECTIONS AND BOLTS

ARE TIGHT AND SECURE BEFORE OPERATING. FAILURE TO HEED MAY RESULT IN SERIOUS PERSONAL INJURY OR DEATH.

Inspect all adjustments on the machine to be sure they are proper and to provide maximum performance. Lube the machine if it is required.

! **WARNING:** DO NOT OPERATE WITHOUT ALL SHIELDS, GUARDS AND COVERS INSTALLED. FAILURE TO HEED MAY RESULT IN SERIOUS PERSONAL INJURY OR DEATH.

Before operation and after hitching the tractor to the wagon, connect the PTO. Slowly engage the tractor PTO and operate box at idle speed to ensure it is operating properly.



TRANSPORTING

! WARNING: DO NOT TOW AT SPEEDS GREATER THAN 10 MPH. FAILURE TO HEED MAY RESULT IN SERIOUS PERSONAL INJURY OR DEATH.

Operating speed is dictated by the terrain over which you are traveling. Always use caution. Avoid traveling on slopes or hills that are unsafe.

Always disconnect the PTO drive shaft from the tractor and return it to its storage bracket on the front of the box for transporting, see figure 3. Failure to do this may result in equipment damage.



FIGURE 3. PTO STORAGE

Your running gear probably has a telescoping tongue for convenience to hitch up. Always back up and lock this tongue in the operating position after hitching.

! WARNING: YOU MUST OBSERVE ALL APPLICABLE TRAFFIC LAWS WHEN TRANSPORTING ON PUBLIC ROADWAYS. CHECK LOCAL LAWS FOR ALL

HIGHWAY LIGHTING AND MARKING REQUIREMENTS.

Be sure and observe that the rear discharge door is latched closed before traveling on roadways.

! WARNING: INSTALL A SMV EMBLEM ON REAR OF DUMP BOX FOR TRANSPORTING ON ROADWAYS AND KEEP THIS EMBLEM CLEAN. FAILURE TO HEED MAY RESULT IN SERIOUS PERSONAL INJURY OR DEATH.

If you will travel on public roads and it is legal to do so, you must know all rules governing such operation. This will include lighting and brake requirements in addition to traffic rules. You may also be required to install a safety chain device on the running gear.

Check for traffic constantly. Be sure you can see that no one is attempting to pass you and that all traffic is sufficiently clear from you before making any turns.

OPERATION

! **WARNING:** MAKE CERTAIN EVERYONE IS CLEAR OF EQUIPMENT BEFORE APPLYING POWER. FAILURE TO HEED MAY RESULT IN SERIOUS PERSONAL INJURY OR DEATH.

Pull the dump box into position.

Always park as straight ahead as possible so there is a minimum angle on the PTO shaft U-joints when it is connected to the tractor. Set the brakes and shut the tractor off.

NOTE: Normal operation is using a tractor. If using some other vehicle exercise caution when parking and exiting this vehicle.

Remove drive shaft from the storage bracket and connect it to the tractor PTO. Be sure the PTO yoke is securely locked to the tractor PTO. If using an optional hydraulic drive, couple the hydraulic hoses to the power supply.

Make sure all persons are clear of the dump box and the unloading area.

The rear door, figure 4, is opened automatically as forage is forced against it. The door can spring open with extreme force when the latches release, figure 5. This is caused by the pressure of the forage against the door.

! **WARNING:** DISCHARGE DOOR CAN SPRING OPEN QUICKLY AND WITH FORCE. KEEP ALL PERSONS WELL CLEAR OF THE DUMP BOX AND UNLOADING AREA. FAILURE TO HEED MAY RESULT IN SERIOUS PERSONAL INJURY OR DEATH.



FIGURE 4. REAR OPENING DISCHARGE DOOR



**FIGURE 5. DOOR LATCH
(Typical both sides)**

Return to the tractor, restart, and slowly engage the PTO to start the apron chains and open the rear door. Once the door opens, regulate the discharge flow with the tractor PTO speed (or tractor hydraulic flow control for hydraulic driven). Do not operate above rated speed of 540 RPM.



WARNING: DO NOT STEP UP ON ANY PART OF THE DUMP BOX AT ANY TIME. FAILURE TO HEED MAY RESULT IN SERIOUS PERSONAL INJURY OR DEATH.

Unloading is best observed from the tractor seat. If you are at ground level, the front of the box has a top section of expanded metal for convenient observation.

When finished unloading reduce speed to idle and disengage the PTO drive. Pull the dump box straight ahead to pull the door away from the unloaded pile of forage. When free gravity will allow the door to swing shut and the door latches will engage the apron chain links to secure it shut. Observe that this happens properly. Set the brakes and turn the tractor "OFF". When all movement has stopped, disconnect the PTO drive shaft from the tractor and return it to its storage bracket. Secure it with the rubber tie down strap.



WARNING: DO NOT STEP OVER THE POWER TAKE-OFF SHAFT. STAY CLEAR OF POWER TAKE-OFF SHAFT AT ALL TIMES. FAILURE TO HEED MAY RESULT IN SERIOUS PERSONAL INJURY OR DEATH.

The unloading process described is to be accomplished by the operator alone. This will eliminate unexpected startups and minimize other hazards that can result by more than one person in control. If the dump box be-

comes clogged, shut off all power to the dump box. Wait for all motion to stop. Disconnect PTO shaft or hydraulic supply hoses. Then clean out machine. Never use power to aid clean out. If any mechanism fails, remove dump box to safe work area and repair the mechanism before proceeding with unloading.



DANGER: NEVER ENTER THE DUMP BOX WITHOUT FIRST DISCONNECTING PTO SHAFT FROM POWER SUPPLY OR DISCONNECTING OPTIONAL HYDRAULIC HOSES FROM POWER SUPPLY. FAILURE TO HEED MAY RESULT IN SERIOUS PERSONAL INJURY OR DEATH.

Never enter the dump box for any reason if there is any possibility of power being applied to the unit.



WARNING: DISCONNECT PTO DRIVE SHAFT (OR OPTIONAL HYDRAULIC POWER SOURCE) BEFORE CLEANING, ADJUSTING, LUBRICATING OR SERVICING THIS MACHINE. FAILURE TO HEED MAY RESULT IN SERIOUS PERSONAL INJURY OR DEATH.

Allow box to completely clean out the last load of forage. It is recommended to lube the dump box before storage to exclude moisture from bearings. Apply oil to roller chain drives and to the apron chains. It is also a good time to inspect all adjustments and check for parts that need repair or replacement. Performing these tasks now will guarantee that the box is ready for use at the beginning of the next season.

ADJUSTMENTS



WARNING: DISCONNECT PTO DRIVE SHAFT (OR OPTIONAL HYDRAULIC POWER SOURCE) BEFORE CLEANING, ADJUSTING, LUBRICATING OR SERVICING THIS MACHINE. FAILURE TO HEED MAY RESULT IN SERIOUS PERSONAL INJURY OR DEATH.

APRON CHAIN

Correct tension on the apron chains is when about three feet of chain does not touch the return slides at the rear of the box. To tighten chains, tighten the adjuster bolts at each end and center of the front sprocket shaft, see figure 6. Each apron chain has its own sprocket shaft. At the center cutout there is an adjuster bolt for each shaft. Tighten the adjuster bolts at each end of each shaft equally.

ROLLER CHAIN DRIVES

The roller chain drives are tensioned by auto-

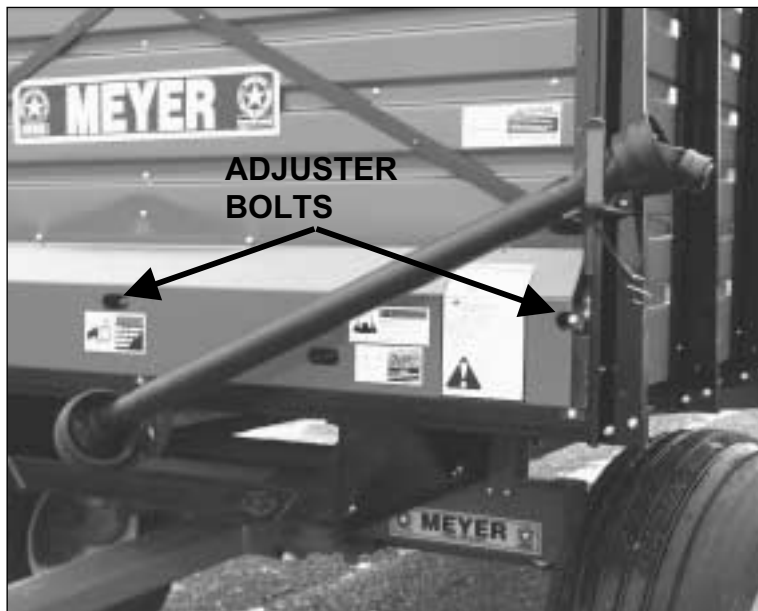


FIGURE 6. ADJUST APRON CHAINS

matic spring loaded tension blocks.

LUBRICATION

WARNING: DISCONNECT PTO DRIVE SHAFT (OR OPTIONAL HYDRAULIC POWER SOURCE) BEFORE CLEANING, ADJUSTING, LUBRICATING OR SERVICING THIS MACHINE. FAILURE TO HEED MAY RESULT IN SERIOUS PERSONAL INJURY OR DEATH.

- ① Grease (2) Pto drive shaft joints daily.
- ② Maintain oil in gearbox to centerline of shafts. Use Multi purpose 80-90 transmission lube. Lighter oil may be used in temperatures lower than 20 degrees.
- ③ Grease the (3) main apron drive shaft bearing at rear, weekly.
- ④ Grease jackshaft at rear, weekly.
- ⑤ Use light machine oil periodically on the roller chain drives, weekly.
- ⑥ Grease (2) door hinges annually.

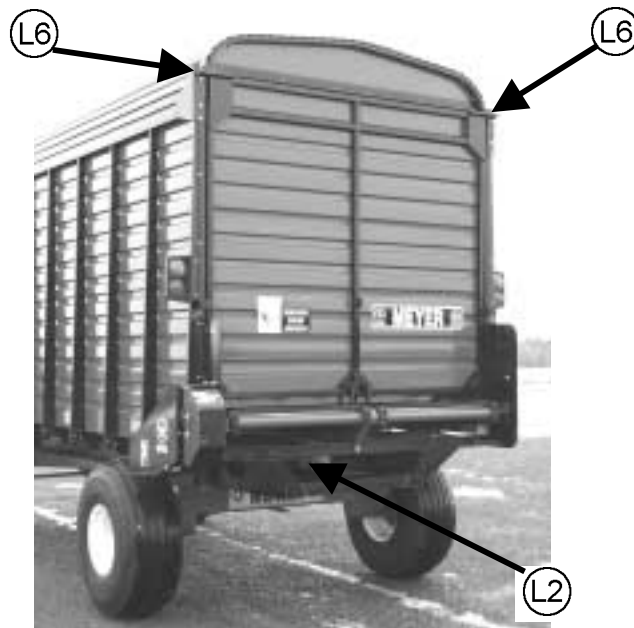
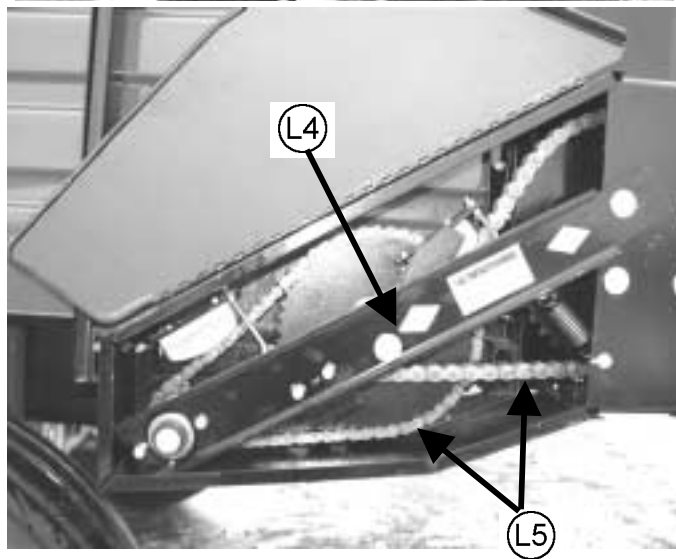
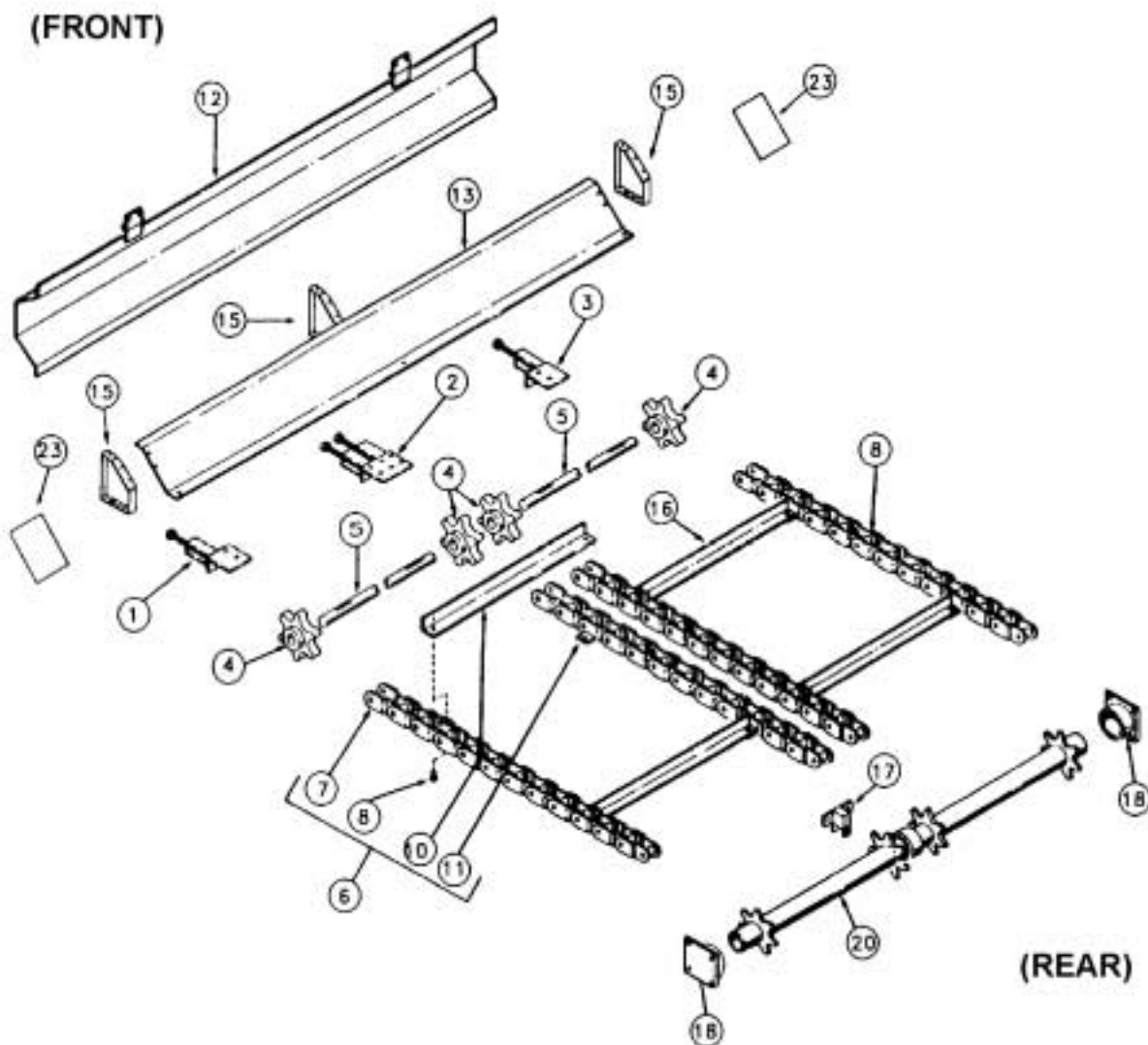


FIGURE 7. LUBRICATION DIAGRAM

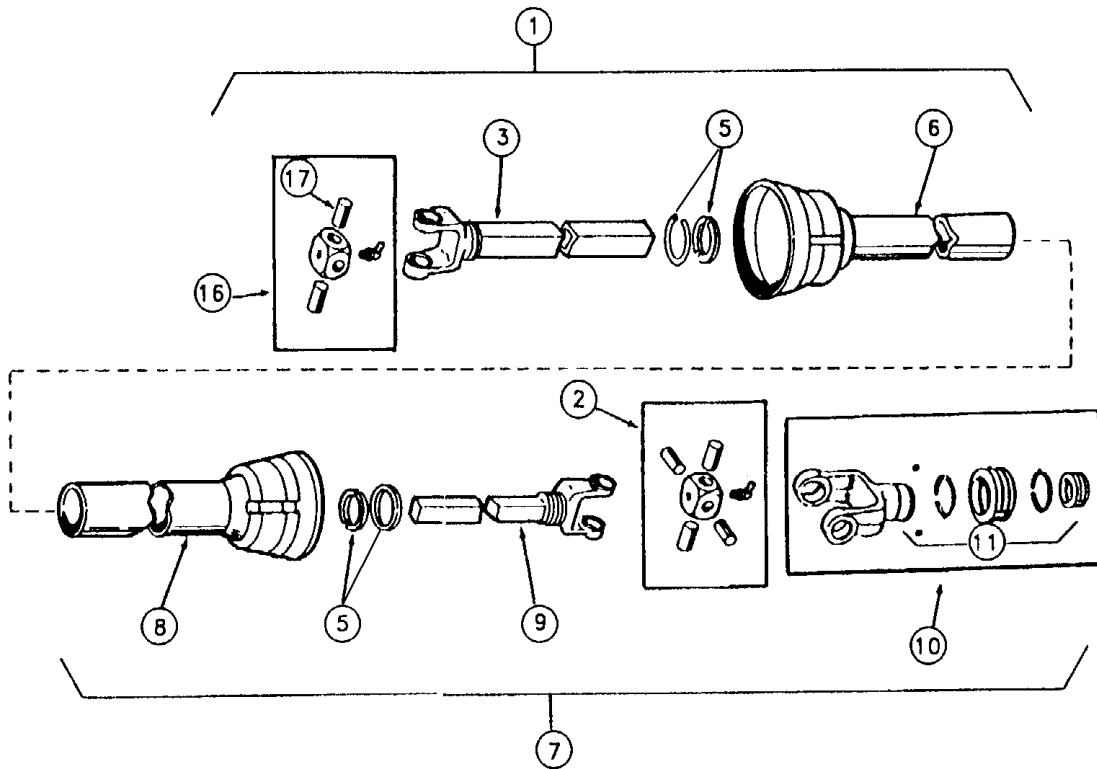
REPAIR PARTS

APRON - REAR UNLOAD QUICK DUMP



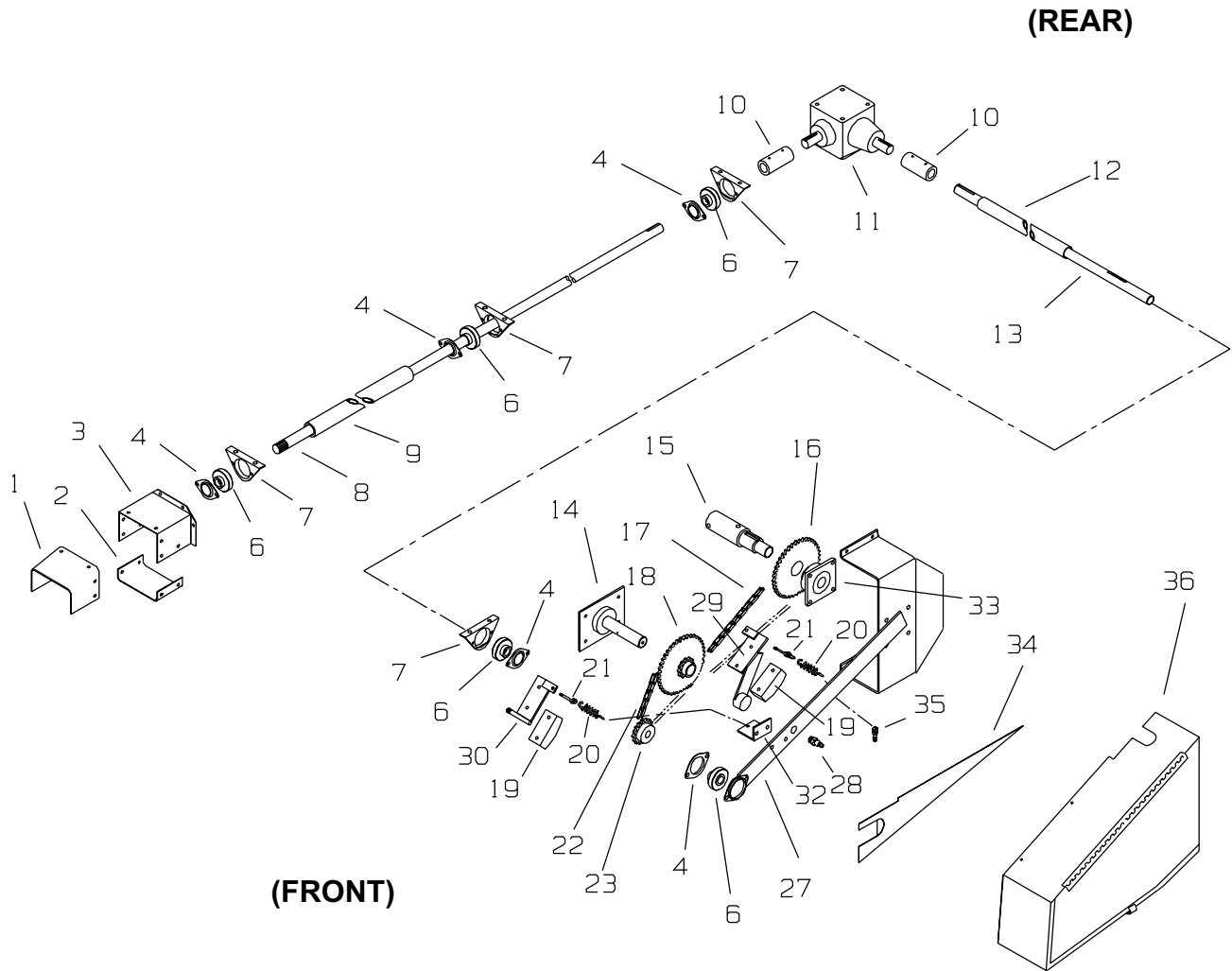
KEY	PART NO.	DESCRIPTION	KEY	PART NO.	DESCRIPTION
1	25-0146	Tightener Bracket LH	11	11-0068-2	Attachment Link-D667H
2	25-0145	Tightener Bracket CENTER		11-0008-3	Attachment Link-D667X
3	25-0144	Tightener Bracket RH	12	24-0091	Front Shield with Hinges
	25-0147	Tightener Nut	13	24-0090	Deflector Shield
	830-5013-6Z	Tightener Bolt	15	25-0141	Brkt, Deflector Shield Support
4	10-0054	Sprocket #67-6	16	11-0081-2	Chain Slat
5	23-0043	Idler Shaft		11-0084-2	Chain Slat
6	11-0098	Chain Assy (20ft.) 667X			w/attachments-667H
	11-0085	Chain Assy (18ft.) 667X			w/attachments-667X
7	11-0068-3	Pintle Chain Link-D667H	17	25-0018	Bearing Support Bracket
	11-0008-1	Pintle Chain Link D667X	18	14-0009	Main Drive Shaft Bearing
8	11-0008-2	Rivet, 3/8x7/8	20	23-0050	Main Drive Shaft
10	11-0080	Slat	23	49-0006	Front Deflector Shield Belting

UNIVERSAL JOINT TELESCOPING ASSEMBLY QUICK DUMP REAR UNLOAD



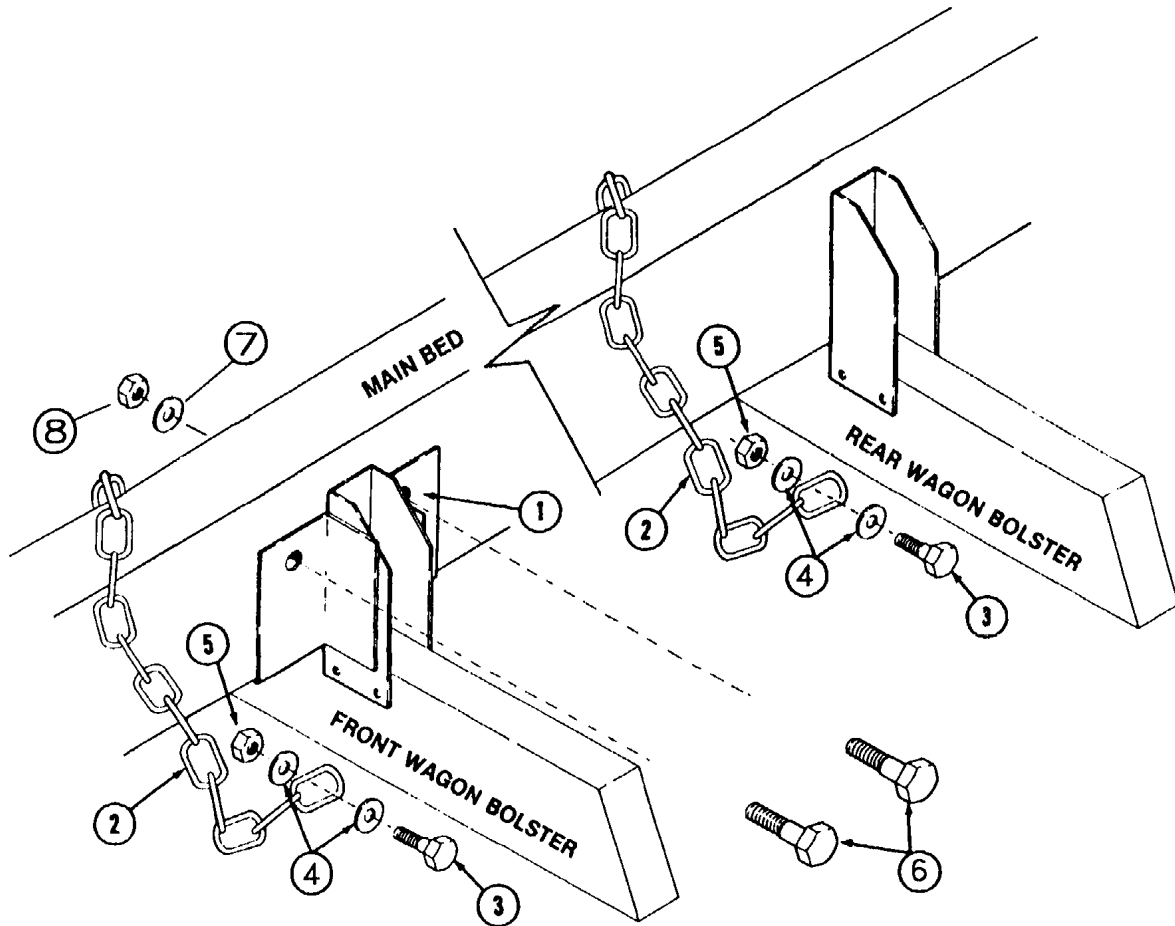
KEY	PART NO.	DESCRIPTION
	18-0014	Joint Assy, W-90 Universal
1	18-0014-1	Joint & Tube Half w/guard (implement half)
2	18-0001-4	Repair Kit
3	18-0014-3	Tube & Yoke
5	18-0005-17	Nylon Bearing with Retainer
6	18-0014-6	Inner Guard
7	18-0014-7	Joint & Shaft Half w/guard (tractor half)
8	18-0014-8	Outer Guard
9	18-0014-9	Shaft & Yoke
10	18-0005-15	Yoke Assy, Lock
11	18-0005-16	Quik Lok Repair Kit
16	18-0001-13	"W" Repair Kit w/2 pins
17	18-0001-14	Pins, "W" Repair Kit

DRIVE TRAIN QUICK DUMP REAR UNLOAD



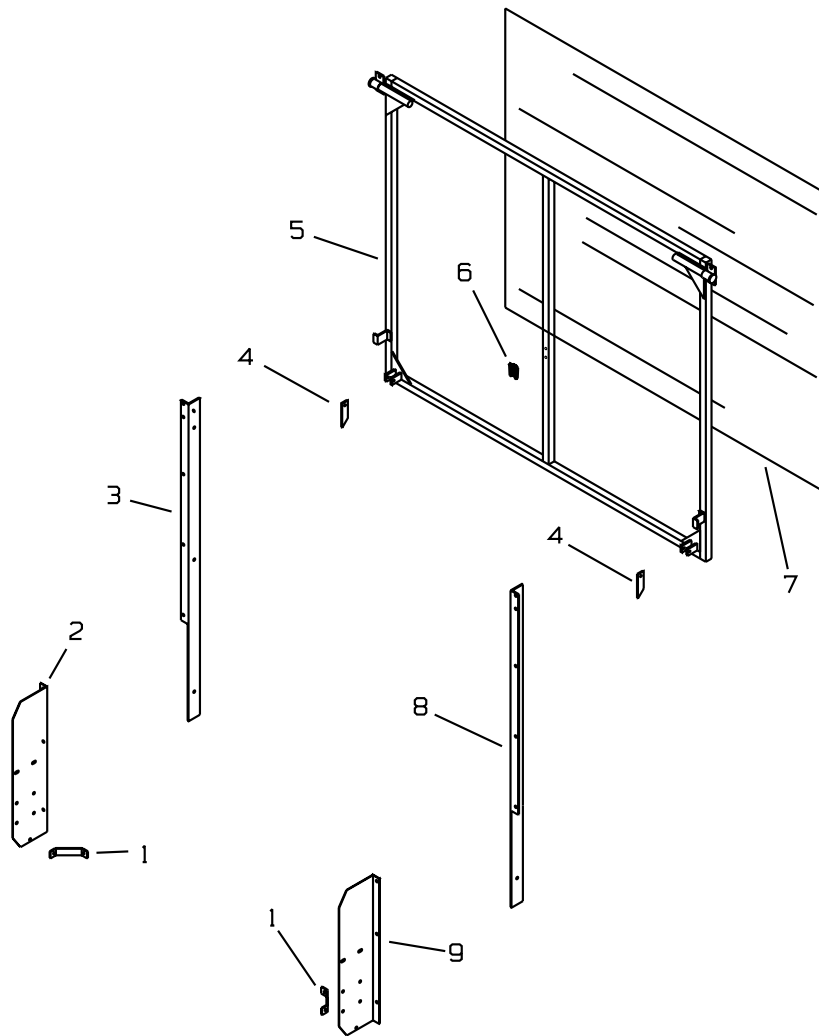
KEY	PART NO.	DESCRIPTION
1	24-0105-3	PTO Belting 6"x14"
2	24-0105-2	PTO Belting 6"x10"
3	24-0105-1	PTO Shield
4	14-0003-2	1-1/4 Two Bolt Flange
6	14-0002-3	1-1/4 Bearing w/Lock Collar
7	14-0003-1	1-1/4 Pillow Block Flange
8	23-0036	Main Drive Shaft 16ft.
	23-0035	Main Drive Shaft 18ft.
	23-0042	Main Drive Shaft 20ft.
9	100-9990-20	PVC Pipe Guard 72"
10	37-0007	Shaft Coupler
11	19-0016	Right Angle Gearbox
12	100-9990-21	PVC Pipe Guard 30-1/2"
13	23-0037	Cross Drive Shaft 42-3/8"
14	23-0041	Idler Shaft Weldment
15	23-0049	Output Shaft
16	910-0003	80B45 Sprocket
17	911-0004	80-62 Roller Chain
18	10-0065	Sprkt Wldt 80A12/60A48
19	901-3618-6	Wood Tightener Block
20	929-3601	Spring
21	811-3118-3Z	Eye Bolt
22	11-0041	60-66 Roller Chain
23	10-0062	60B15 Sprocket
27	25-0176	Support Arm
28	100-9990-22	Idler Shaft Bolt w/Zerk
29	25-0196-3	Idler Tightener Weldment
30	25-0195-3	Drive Tightener Weldment
32	25-0194	Spring Tightener Angle
33	914-3602	Four Bolt Flange Bearing 1-1/2"
34	24-0106-5	Rear Shield Frame
35	25-0196-4	Tightener Catch
36	24-0106	Cluster Shield

TIE DOWN KIT FOR STEEL BOX



KEY	PART NO.	DESCRIPTION
	52-0003S	Tie Down Kit (Steel Stringers)
1	25-0084	Bracket
2	52-0003-1	Chain
3	801-3816-1.5Z	Bolt, Hex Machine-3/8x1-1/2
4	805-0038-Z	3/8 Flat Washer
5	815-3816-Z	3/8 Lock Nut
6	801-5013-1.25-Z	Hex Machine Bolt 4 1/2x1-1/4
7	805-0050-Z	1/2 Flat Washers
8	815-5013-Z	1/2 Lock Nuts

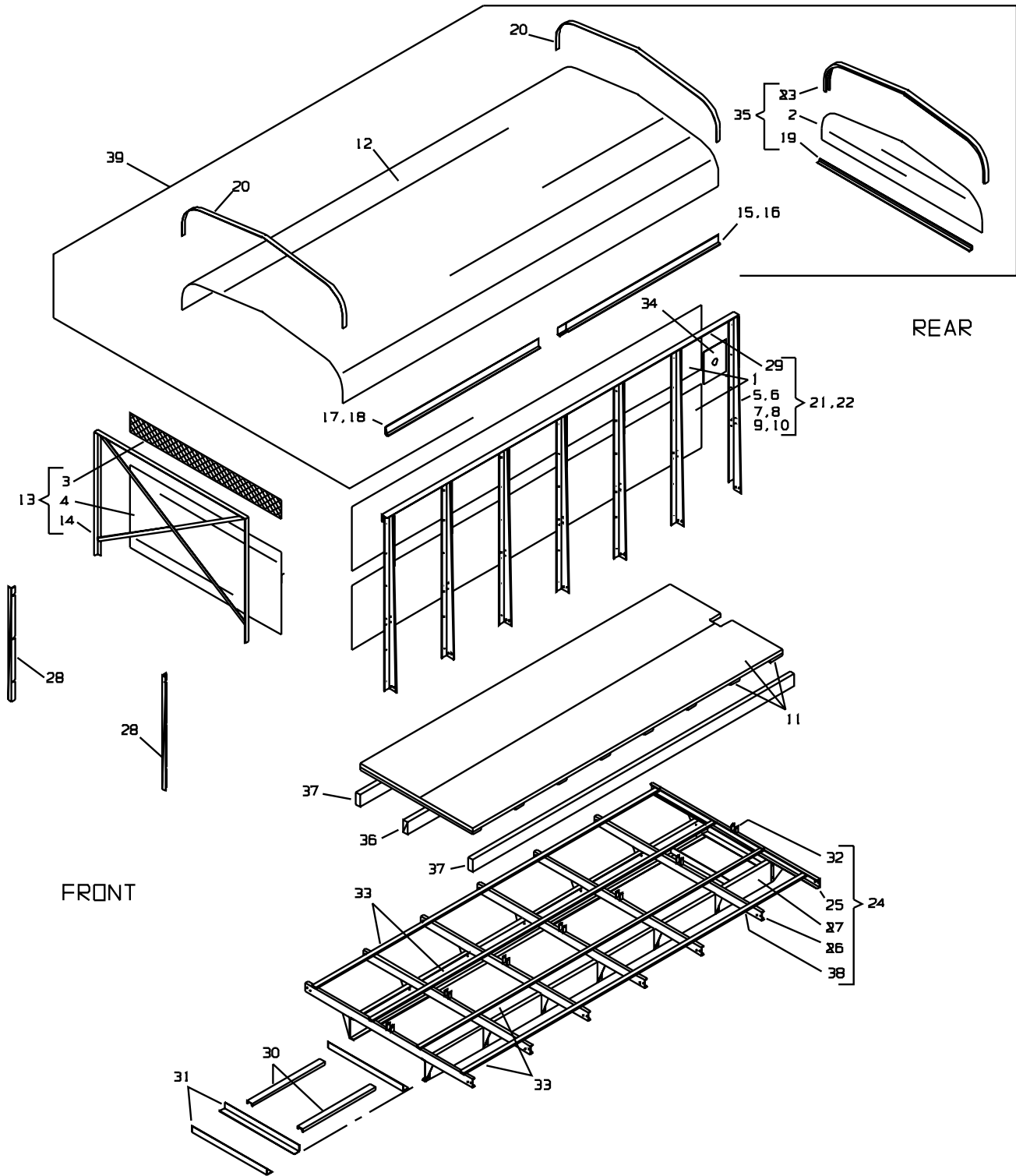
REAR DISCHARGE DOOR COMPONENTS



KEY	PART NO.	DESCRIPTION
1	25-0179	Bearing Bracket Brace
2	25-0190-1	Left Main Roller Bracket
3	100-9990-23	Left Gate Side Frame
4	100-9990-25-12	Latch Catch
5	100-9990-25-13	Back Gate Frame
6	33-1002	Slow Moving Vehicle Bracket
7	100-9990-25-13	Back Gate Panel 40-3/4x84-1/4
8	100-9990-24	Right Gate Side Frame
9	25-0191-1	Right Main Roller Bracket

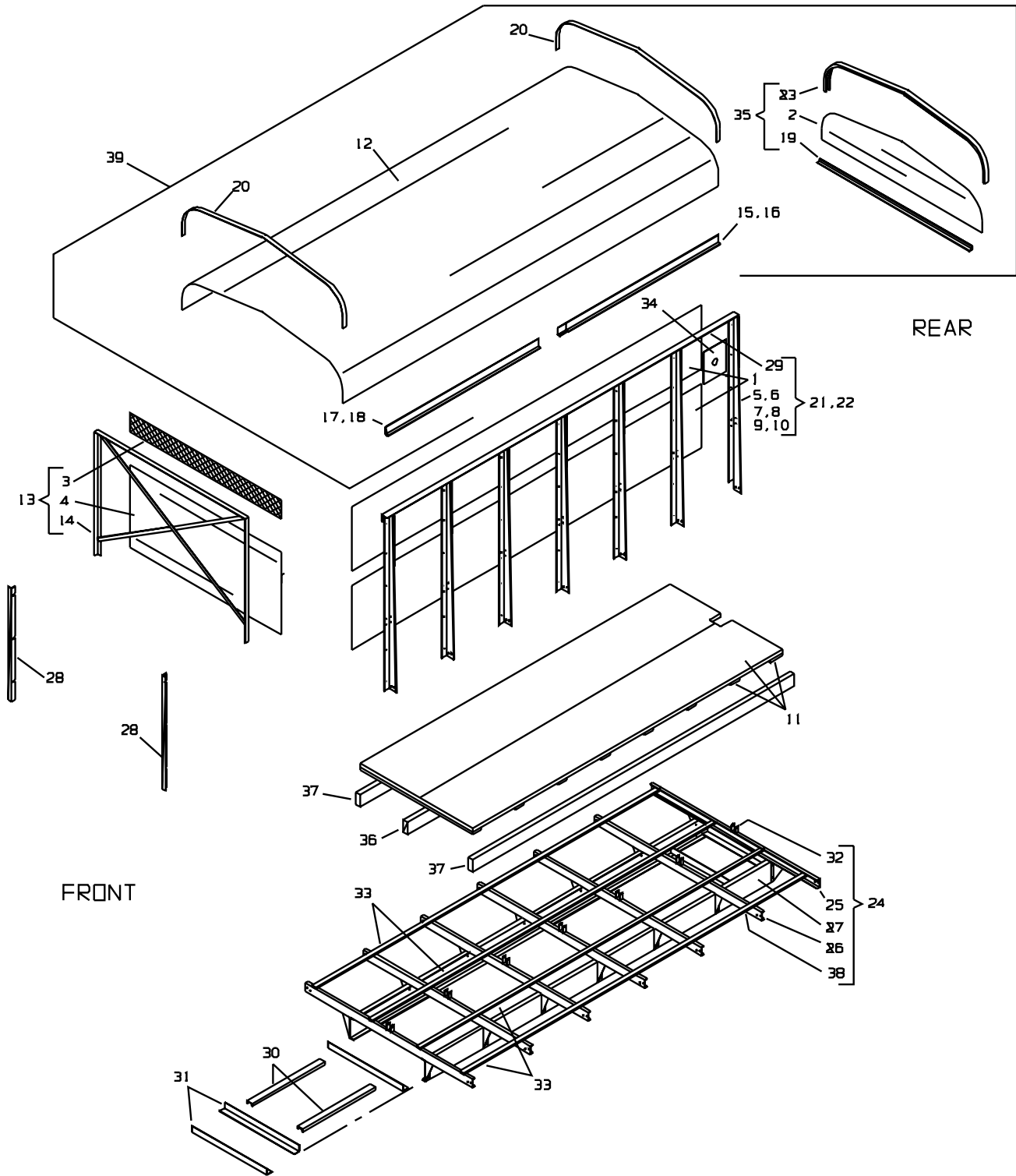
KEY	PART NO.	DESCRIPTION
1	100-9990-53	20' Side Panel, 20 Ga x40-3/4 Painted
	100-9990-8-7	18' Side Panel, 20 Ga x40-3/4 Painted
2	100-9990-15-4	Back Roof Panel
3	31-0006-2	Panel, Expanded Metal
4	100-9990-17-6	20 Ga Front End Gate Panel Painted
5	100-9990-8-2	Rear Left, Upright, 10 Ga x82-1/2 (illustrated)
6	100-9990-8-1	Rear Right, Upright, 10 Ga x82-1/2 (not illustrated)
7	100-9990-8-6	Center Left, Upright, 10 Ga x82-1/2 (illustrated)
8	100-9990-8-5	Center Right, Upright, 10 Ga x82-1/2 (not illustrated)
9	100-9990-8-4	Front Left, Upright, 10 Ga x82-1/2 (illustrated)
10	100-9990-8-3	Front Right, Upright, 10 Ga x82-1/2 (not illustrated)
11	100-9990-53	Floor Complete 20ft.
	100-9990-10	Floor Complete 18ft.
12	100-9990-51-1	Roof Panel Painted 21'3"
	100-9990-15-8	Roof Panel Painted 19'3"
13	100-9990-26	Front End Gate, Complete
14	100-9990-26-5	Front End Gate, Frame Only
15	100-9990-61	Roof Angle Left (illustrated)
16	100-9990-60	Roof Angle Right (not illustrated)
17	100-9990-69	Left Roof Angle Ext. 20' (illustrated)
	100-9990-63-1	Left Roof Angle Ext. 18' (illustrated)
18	100-9990-70	Right Roof Angle Ext. 20' (not illustrated)
	100-9990-62-1	Right Roof Angle Ext. 18' (not illustrated)
19	100-9990-31	Back Gate Panel Angle
20	100-9990-14-3	Roof Guard Strap
21	100-9990-54	Left Side, Complete 20' (illustrated)
	100-9990-9	Left Side, Complete 18' (illustrated)
22	100-9990-55	Right Side, Complete 20' (not illustrated)
	100-9990-8	Right Side, Complete 18' (not illustrated)
23	100-9990-15-1	Roof Bow
24	100-9990-50	Bottom Frame, Complete 20'
	100-9990-56	Bottom Frame, Complete 18'
25	100-9990-1-4	Back Cross Channel 94-1/2 w/Gussets
26	100-9990-1-5	Cross Channels 94-1/2 w/Gussets
27	100-9990-50-1	10" Channel Bed Piece (19'-10")
	100-9990-1-1	10" Channel Bed Piece (17'-10")
28	100-9990-32	Side End Gate Cap Right
29	100-9990-52-1	Top Rail 20' TSS Side
	100-9990-8-8	Top Rail 18' TSS Side
30	25-0006	PTO Hanger Bracket
31	100-9990-28	Right Front Roof Support Bracket
32	100-9990-27	Left Front Roof Support Bracket
33	100-9990-33	Side End Gate Cap Left
34	100-9999-39	3" Side Channel Support
35	100-9999-38	Main Stringer Support
36	100-9999-39	3" Side Channel Support (14' & 16' Floor Lengths)
37	100-9999-38	Main Stringer -Support
38	100-9990-1-10	Rear Steel Stringer, Reinforcing Plate (18'+ Floor Lengths)

WELDED BOX PARTS (1 OF 2) 3100 SERIES



KEY	PART NO.	DESCRIPTION
1	100-9995-19	14' Side Panel, 20 Ga x40-3/4 Aluminized
	100-9995-18	16' Side Panel, 20 Ga x40-3/4 Aluminized
	100-9995-17	18' Side Panel, 20 Ga x40-3/4 Aluminized
2	100-9995-120-1	Back Roof Panel, 20-3/8x86 Aluminized
3		
4		
5	100-9990-8-2	Rear Left, Upright, 10 Ga x 82-1/2" (illustrated)
6	100-9990-8-1	Front Right, Upright, 10 Ga x 82-1/2" (not illustrated)
7	100-9990-8-6	Center Left, Upright, 10Ga x 82-1/2" (illustrated)
8	100-9990-8-5	Center Right, Upright, 10 Ga x 82-1/2" (not illustrated)
9	100-9990-8-4	Front Left, Upright, 10 Ga x 82-1/2" (illustrated)
10	100-9990-8-3	Front Right, Upright, 10 Ga x 82-1/2" (not illustrated)
11	100-9990-12	Floor Complete 14'
	100-9990-11	Floor Complete 16'
	100-9990-10	Floor Complete 18'
12	100-9990-13-2	Roof Panel Painted 15' 3"
	100-9990-14-2	Roof Panel Painted 17' 3"
	100-9990-15-8	Roof Panel Painted 19' 3"
13		
14		
15	100-9990-61	Roof Angle Left (illustrated)
16	100-9990-60	Roof Angle Right (not illustrated)
17	100-9990-67-1	Left Roof Angle Ext. 14' (illustrated)
	100-9990-65-1	Left Roof Angle Ext. 16' (illustrated)
	100-9990-63-1	Left Roof Angle Ext. 18' (illustrated)
	100-9990-66-1	Right Roof Angle Ext. 14' (not illustrated)
18	100-9990-64-1	Right Roof Angle Ext. 16' (not illustrated)
	100-9990-62-1	Right Roof Angle Ext. 18' (not illustrated)
	100-9990-15-9	Back Gate Panel Angle
19	100-9990-15-9	Back Gate Panel Angle
20	100-9990-14-3	Roof Guard Strap
21	100-9994-4	Left Side, Complete 14' (illustrated)
	100-9994-6	Left Side, Complete 16' (illustrated)
	100-9994-8	Left Side, Complete 18' (illustrated)
22	100-9994-5	Right Side, Complete 14' (not illustrated)
	100-9994-7	Right Side, Complete 16' (not illustrated)
	100-9994-9	Right Side, Complete 18' (not illustrated)
23	100-9990-15-1	Roof Bow
24	100-9994-1	Bottom Frame, Complete 14'
	100-9994-2	Bottom Frame, Complete 16'
	100-9994-3	Bottom Frame, Complete 18'
25	100-9990-1-3	Back Cross Channel 94-1/2"
	100-9994-1-3	Back Cross Channel Gusset

WELDED BOX PARTS (2 OF 2) 3100 SERIES



KEY	PART NO.	DESCRIPTION
26	100-9990-1-2	Cross Channel 94-1/2"
	100-9994-1-1	Cross Channel Gusset
27	100-9990-3-1	10" Channel Bed Piece (13'-10")
	100-9990-2-1	10" Channel Bed Piece (15'-10")
	100-9990-1-1	10" Channel Bed Piece (17'-10")
28		Side End Gate Cap
29	100-9990-4-2	Top Rail 14'
	100-9990-6-2	Top Rail 16'
	100-9990-8-8	Top Rail 18'
30	100-9999-39	Stringer Support Channel
31	100-9994-1-2	Stringer Support Cross Angle
32	100-9999-2-3	Cross Channel Center U Piece
33	100-9998-7	14' Chain Slide
	100-9998-8	16' Chain Slide
	100-9999-5	18' Chain Slide
34		
35	100-9995-120	Rear Roof Assy Complete
36	100-9997-1	Center Floor Support, 2x6x14'
	100-9997-2	Center Floor Support, 2x6x16'
	100-9999-6	Center Floor Support, 2x6x18'
37	100-9998-9	Outer Floor Support 3x6x14'
	100-9998-10	Outer Floor Support 3x6x16'
	100-9999-7	Outer Floor Support 3x6x18'
38	100-9994-1-5	Chain Rail Tab
39	100-9995-133	3514 Roof Assy., Complete
	100-9995-134	3516 Roof Assy., Complete
	100-9995-135	3518 Roof Assy., Complete



Free Manuals Download Website

<http://myh66.com>

<http://usermanuals.us>

<http://www.somanuals.com>

<http://www.4manuals.cc>

<http://www.manual-lib.com>

<http://www.404manual.com>

<http://www.luxmanual.com>

<http://aubethermostatmanual.com>

Golf course search by state

<http://golfingnear.com>

Email search by domain

<http://emailbydomain.com>

Auto manuals search

<http://auto.somanuals.com>

TV manuals search

<http://tv.somanuals.com>