

DS-2P *Self-Powered Mid-Bass Reinforcement Loudspeaker*

FEATURES



Integrated control electronics and amplifiers



TruPower™ Limiting (TPL)



Intelligent AC™ System



Compatible with the Remote Monitoring System™ (RMS)



High-power



Extremely low distortion

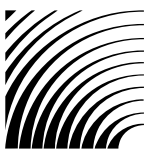


Reliable and durable



Arrayable

*Superior
engineering
for the art
and science
of sound.*



**Meyer
Sound**



The DS-2P is a self-powered, arrayable mid-bass loudspeaker designed to supplement the MSL-4 unit in the 40-160 Hz range. It can also be used with other, non-powered units such as the MSL-3A and MSL-10A. It delivers high audio power with extremely low distortion. The DS-2P uses two 15-inch cone drivers in a folded horn enclosure. These horns have a hyperbolic flare that give the unit maximum energy transfer with minimum frequency response ripple.

The DS-2P has the Intelligent AC™ system, which performs automatic voltage selection, EMI filtering, soft current turn-on, and surge suppression. Installation of

this unit is as simple as plugging-in a power source and an audio signal source.

The amplifier unit is equipped with TruPower™ Limiter technology, which maximizes speaker protection reliability and component life. This breakthrough in speaker control also results in higher SPL at all frequencies, and increased available headroom. Long term power compression, typically 3-6 dB in conventional systems, is less than 1 dB. Maximum SPL capability remains constant even during operation at high levels for extended periods.

DS-2P performance can be supervised using the Remote Monitoring System™ (RMS). This enables users at a

computer terminal to monitor such parameters as limiting activity, power output, voltage, temperature, fan speed, and driver status.

The built-in power amplifier is designed for maximum efficiency and reliability. Servicing in the field is facilitated by the modular design of the DS-2P; the entire power/amplifier module can be accessed and replaced, if necessary.

DS-2P SPECIFICATIONS

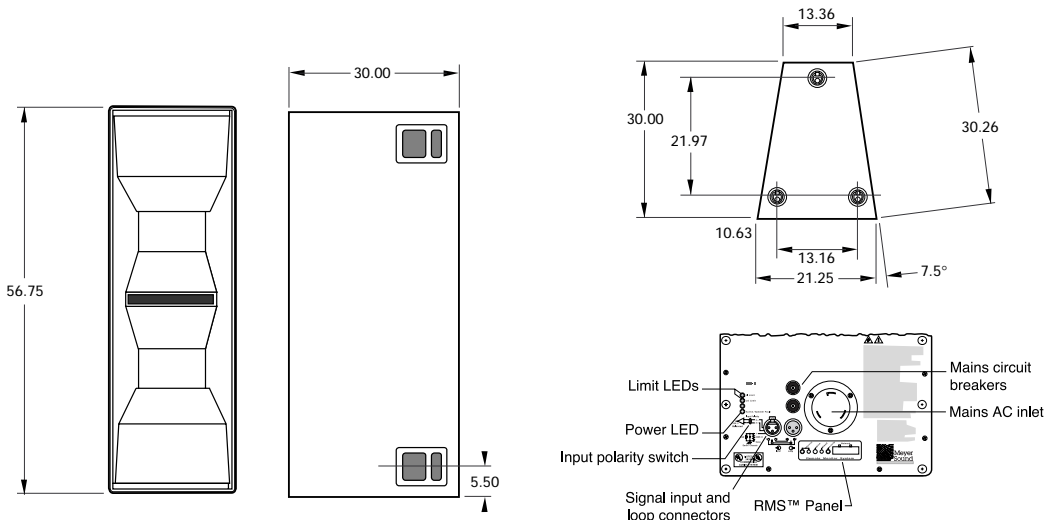
ACOUSTICAL¹ (EACH LOUDSPEAKER)	Frequency Response² ±4 dB from 40 Hz to 160 Hz Phase Response² ±60° from 60 Hz to 200 Hz Maximum SPL² >140 dB SPL peak@1 meter Dynamic Range >120 dB
COVERAGE	(-6 dB points) 120°H; 120°V
TRANSDUCERS	Low Frequency 15" diameter MS-15 cone (2)
AUDIO INPUT	Type 10kΩ impedance, electronically balanced Connector XLR (A-3) male and female Nominal Input Level +4 dBu
AMPLIFIERS	Type Complementary power MOSFET output stages (audio class AB/H) Burst capability³ 1240 watts (620 watts/channel) THD, IM, TIM < .02 %
AC POWER	Connector 250V NEMA L6-20P (twistlock) inlet or IEC 309 male inlet ⁴ Automatic voltage selection 95-125 VAC and 208-235 VAC; 50/60 Hz ⁵ Operational Voltage range Turn on: 85 VAC; Turn off: 134 VAC; 50/60 Hz Turn on: 165 VAC; Turn off: 264 VAC; 50/60 Hz Max Continuous RMS Current (>10 sec) @115V: 8A @230V: 4A @100V: 10A Burst RMS Current (<1 sec) @115V: 15A @230V: 8A @100V: 18A Max Peak Current During Burst @115V: 22Apk @230V: 11Apk @100V: 25Apk Soft Current Turn-on Inrush current <12A @ 115V
PHYSICAL	Dimensions 21 1/4" W x 56 3/4" H x 30" D Weight 243 lbs (110 kg) / shipping: 267 lbs (121 kg) Enclosure Multi-ply hardwood Finish Black textured Protective Grill Perforated metal grill, charcoal-grey foam Rigging Aircraft pan fittings (3 on both top and bottom). Working load for each fitting is 600 lbs, which is 1/5 the cabinet breaking strength (with straight tensile pull).

NOTES

1. Acoustical specifications are for the minimum configuration of two DS-2P cabinets and are measured on axis at 2 meters from 1/R image (located at cabinet rear).
2. Subject to half space loading, measured with one-third octave frequency resolution in fixed ISO bands.
3. Nominal 8Ω resistive load, pink noise, 100V peak.
4. Other connectors available.
5. The unit is rated at 95-125 VAC and 208-235 VAC, 50/60 Hz, to satisfy EC standards for -10% to 6% AC line voltage.

PHYSICAL DIMENSIONS

ALL UNITS IN INCHES

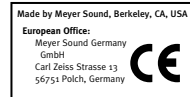


Rear Panel Locations (U.S. Version)

Download from www.Somanuals.com. All Manuals Search And Download.

Meyer Sound Laboratories has devoted itself to designing, manufacturing, and refining components that deliver superb sonic reproduction. Every part of every component is designed and built to exacting specifications and undergoes rigorous, comprehensive testing in the laboratories.

Research remains an integral, driving force behind all production. Meyer strives for sound quality that is predictable and neutral over an extended lifetime and across an extended range.



DS-2P - 04.035.013.01B

MEYER SOUND LABORATORIES, INC.
2832 San Pablo Avenue
Berkeley, CA 94702
tel: 510.486.1166
fax: 510.486.8356
e-mail: techsupport@meyersound.com
<http://www.meyersound.com>

© 1998 Meyer Sound Laboratories, Inc.
All rights reserved

Free Manuals Download Website

<http://myh66.com>

<http://usermanuals.us>

<http://www.somanuals.com>

<http://www.4manuals.cc>

<http://www.manual-lib.com>

<http://www.404manual.com>

<http://www.luxmanual.com>

<http://aubethermostatmanual.com>

Golf course search by state

<http://golfingnear.com>

Email search by domain

<http://emailbydomain.com>

Auto manuals search

<http://auto.somanuals.com>

TV manuals search

<http://tv.somanuals.com>