

MTS-4 *Self-Powered Reinforcement Loudspeaker*

FEATURES



Integrated control electronics and amplifiers



TruPower™ Limiting (TPL)



Intelligent AC™ System



Compatible with the Remote Monitoring System™ (RMS)



Exceptional low-frequency



High Peak SPL Capability



Wide audio range in one unit



4-way active, corrected x-over

Superior engineering for the art and science of sound.



Meyer Sound



PATENTED

The MTS-4 is a fully integrated unit, containing all the drivers and amplifiers needed to handle both high frequencies and lower sub-harmonics. No extra subwoofers and no extra amplifiers are needed, and all of this comes in only seventeen cubic feet of cabinet.

Each of the three low frequency drivers has its own vented chamber, creating acoustical addition that gives the MTS-4 its impressive output levels. Its high frequency horn rounds-out the audio spectrum to produce a wide, flat frequency response (± 3 dB from 30Hz to 16kHz). The MTS-4 is easy to set up. The power supply utilizes the Intelligent AC™ system, which provides for automatic voltage

selection, EMI filtering, soft current turn-on, surge suppression, and dual circuit breakers. Simply plug in a power source and an audio signal.

The power system utilizes a dual fan, forced-air cooling system which removes the heat from the heatsink and exhausts it to the rear. Since air is not directed over the electronics themselves, dirt cannot accumulate on sensitive components—increasing the reliability of the amplifiers.

The amplifier unit is equipped with TruPower™ Limiter technology, which maximizes speaker protection reliability and component life. This breakthrough in speaker control also results in higher SPL at all frequencies, and

increased available headroom. Long term power compression, typically 3-6 dB in conventional systems, is less than 1 dB. Maximum SPL capability remains constant even during operation at high levels for extended periods.

MTS-4 performance can be supervised using the Remote Monitoring System™ (RMS). This enables users at a computer terminal to monitor such parameters as limiting activity, power output, voltage, temperature, fan speed, and driver status.

Servicing of the MTS-4 is facilitated by a rear access panel; the entire power/amplifier module can be removed and replaced.

MTS-4 SPECIFICATIONS

ACOUSTICAL (EACH LOUDSPEAKER)	Frequency Response	±3 dB from 30 Hz to 16 kHz -6 dB at 26 Hz and 18 kHz
	Phase Response	±70° from 90 Hz to 17.2 kHz
	Maximum SPL	140 dB peak@1 meter
	Dynamic Range	>110 dB
COVERAGE	(-6 dB points)	70°H; 60°V
CROSSOVER		40 Hz, 100 Hz, 1 kHz
TRANSDUCERS	Sub Frequency	18" diameter MS-18 cone
	Low Frequency	15" diameter MS-15 cone
	Middle Frequency	12" diameter MS-12 cone
	High Frequency	2" throat (4" diaphragm) MS-2001A compression driver
AUDIO INPUT	Type	10kΩ impedance, electronically balanced
	Connector	XLR (A-3) male and female
	Nominal Input Level	+4 dBu
AMPLIFIERS	Type	Complementary power MOSFET output stages (audio class AB/H)
	Burst capability	2480 watts (620 watts/channel)
	THD, IM, TIM	< .02 %
AC-POWER	Connector	250V NEMA L6-20P (twistlock) inlet or IEC 309 male inlet ¹
	Automatic voltage selection	95-125 VAC and 208-235 VAC; 50 Hz / 60 Hz ²
	Operational Voltage Range	Turn on: 85 VAC; Turn off 134 VAC; 50/60 Hz Turn on: 165 VAC; Turn off 264 VAC; 50/60 Hz
	Max Continuous RMS Current (>10 sec)	@115 V: 14 A @230 V: 7 A @100 V: 16 A
	Burst RMS Current (< 1 s)	@115 V: 26 A @230 V: 13 A @100 V: 30 A
	Max Peak Current During Burst	@115 V: 36 Apk @230 V: 18 Apk @100 V: 42 Apk
	Soft Start Turn-on	Inrush current < 12A @ 115V
PHYSICAL	Dimensions	21 1/4" W x 56 3/4" H x 30" D
	Weight	280 lbs (127 kg)
	Enclosure	Multi-ply hardwood
	Finish	Black textured
	Protective Grill	Perforated metal grill, fiberglass screen
	Rigging	Aircraft pan fittings (3 on top, 2 on bottom). Working load for each fitting is 600 lbs, which is 1/5 the

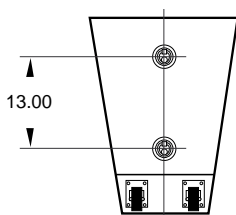
NOTES

1. Subject to half space loading, measured with one-third octave frequency resolution in fixed ISO bands.
2. Nominal 8Ω resistive load, pink noise, 100V peak.
3. Other connectors available.
4. The unit is rated at 95-125 VAC and 208-235 VAC, 50/60 Hz, to satisfy EC standards for -10% to 6% AC line voltage.

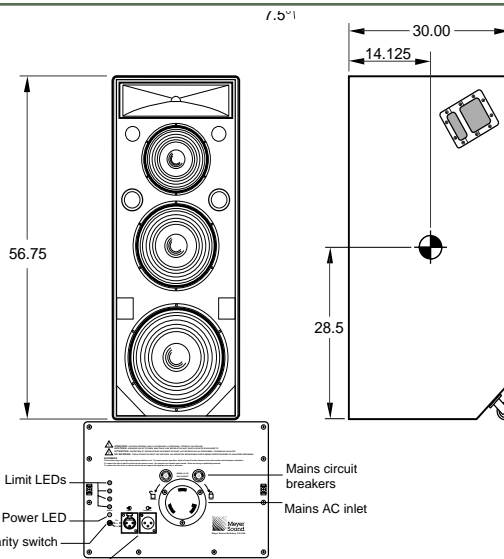
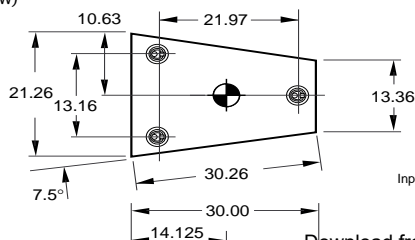
PHYSICAL DIMENSIONS

ALL UNITS IN INCHES

(bottom view)



(top view)



REAR PANEL LOCATIONS (U.S. VERSION)

Download from www.Somanuals.com. All Manuals Search And Download.

Meyer Sound Laboratories has devoted itself to designing, manufacturing, and refining components that deliver superb sonic reproduction. Every part of every component is designed and built to exacting specifications and undergoes rigorous, comprehensive testing in the laboratories.

Research remains an integral, driving force behind all production. Meyer strives for sound quality that is predictable and neutral over an extended lifetime and across an extended range.



MTS-4 - 04.029.010.01B

MEYER SOUND LABORATORIES, INC.
2832 San Pablo Avenue
Berkeley, CA 94702
tel: 510.486.1166
fax: 510.486.8356
e-mail: techsupport@meyersound.com
<http://www.meyersound.com>

© 1998 Meyer Sound Laboratories, Inc.
All rights reserved

Free Manuals Download Website

<http://myh66.com>

<http://usermanuals.us>

<http://www.somanuals.com>

<http://www.4manuals.cc>

<http://www.manual-lib.com>

<http://www.404manual.com>

<http://www.luxmanual.com>

<http://aubethermostatmanual.com>

Golf course search by state

<http://golfingnear.com>

Email search by domain

<http://emailbydomain.com>

Auto manuals search

<http://auto.somanuals.com>

TV manuals search

<http://tv.somanuals.com>