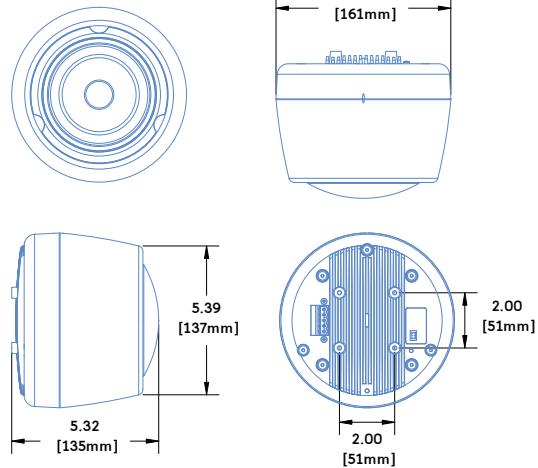




Stella™-4 : Installation Loudspeaker



Also available in white and custom colors



The Stella-4 installation loudspeaker is a self-powered loudspeaker engineered primarily for use in installations of Meyer Sound's Constellation electroacoustic architecture. The Stella-4 is housed in an aluminum die cast enclosure with a heatsink on the back, and is designed to be easily mounted on ceilings or walls with mounting accessories available from Meyer Sound and third-party manufacturers.

Offering exceptional performance for a self-powered loudspeaker of its size, the Stella-4's single 4-inch cone transducer is capable of producing a maximum peak SPL of 108 dB at one meter over a wide frequency range of 100 Hz to 22 kHz. The Stella-4 contains amplification and signal processing onboard, and exhibits the same low distortion, high intelligibility, and flat frequency and phase response for which Meyer Sound products are known. As a self-powered loudspeaker, the Stella-4 offers simplified installation for the multichannel output of Constellation systems or other installation applications.

Balanced audio and DC power are fed to the Stella-4 from a 5-pin Phoenix connector on its rear panel. Meyer Sound's patented Iso-Input™ transformer-isolated differential input circuit yields a high common mode signal rejection ratio (CMRR). Powering the unit from a unipolar 12 to 18 V DC external power source reduces induced noise significantly, while the use of a low voltage supply eliminates the need for wiring conduits.

The MMB-Stella4 bracket enables mounting the Stella-4 onto a wall, ceiling, or single-gang electrical back box. The bracket can also be used with third-party mounting options, such as those available from OmniMount®. Like the MMB-Stella4 bracket, the MAMB-Stella4 adjustable bracket enables mounting the Stella-4 onto a wall, ceiling, or single-gang electrical back box; however, the MAMB-Stella4 bracket allows the Stella-4's position to be adjusted by up to 45 degrees in any direction.

The required method for delivering balanced audio and DC power to the Stella-4 is with the Stella-188

external power supply. The single-space 19-inch rack unit receives eight channels of balanced audio from its 25-pin D-sub connector and routes the audio, along with 18 V of DC power, to its 5-pin Phoenix output connectors for greater wiring convenience. Each of the eight channel outputs can deliver DC power to a single Stella-4 loudspeaker at cable lengths of up to 300 feet with just 1 dB of loss in peak SPL, using 18 AWG wire, or to up to two Stella-4 loudspeakers with limited cable runs of 150 feet (also with 18 AWG).

The use of composite multiconductor cables (such as Belden® 1502R) allows a single cable to carry both audio and DC power from the Stella-188 to the Stella-4 loudspeakers. The Stella-4's amplifier and signal processing circuits are designed to tolerate supply voltage drops of up to 30 percent, thereby accommodating light-gauge cables and long cable runs. Internal energy storage circuits minimize the system's peak-to-average current demands, ensuring efficient use of the Stella-188's 18 V DC output.

PRELIMINARY SPECIFICATIONS

Operating Frequency Range	100 Hz – 22 kHz
Frequency Response, Free Field	115 Hz – 20 kHz ±4 dB
Maximum Peak SPL	108 dB (free field, measured with music and referred to 1 meter)
Phase Response	250 Hz – 18 kHz ±30°
Coverage	60° (3 kHz – 13 kHz ±10°); 120° (below 2 kHz)
Transducer	One 4" cone driver
Voltage Requirement	12–18 V DC
Audio/Power Connector	Single 5-pin Phoenix (3 pins for audio, 2 pins for DC power)
Input Impedance	20 kΩ balanced internal isolation (Iso-Input) transformer
Nominal Input Sensitivity	+6 dBV (2.0 V rms, 2.8 V peak) continuous average is typically the onset of limiting for noise and music
Input Level	Audio source must be capable of producing +15 dBV (5.6 V rms, 8.0 V peak) into 600 Ω to produce maximum peak SPL over the operating bandwidth of the loudspeaker
Current Draw	1.5 A average; 3.3 A peak
Noise Floor	<20 dB A weighted
Dimensions	5.39" (front OD) x 6.33" (max OD) x 5.32" D 137 mm (front OD) x 161 mm (max OD) x 135 mm D
Weight	5.0 lbs (2.27 kg)

Stella-188 external power supply required



Stella-4 — 04.161.004.02 C
 Copyright © 2007
 Meyer Sound Laboratories Inc.
 All rights reserved
MEYER SOUND LABORATORIES INC.
 2832 San Pablo Avenue
 Berkeley, CA 94702
 T: +1 510 486.1166
 F: +1 510 486.8356
 techsupport@meyersound.com
 www.meyersound.com

Free Manuals Download Website

<http://myh66.com>

<http://usermanuals.us>

<http://www.somanuals.com>

<http://www.4manuals.cc>

<http://www.manual-lib.com>

<http://www.404manual.com>

<http://www.luxmanual.com>

<http://aubethermostatmanual.com>

Golf course search by state

<http://golfingnear.com>

Email search by domain

<http://emailbydomain.com>

Auto manuals search

<http://auto.somanuals.com>

TV manuals search

<http://tv.somanuals.com>