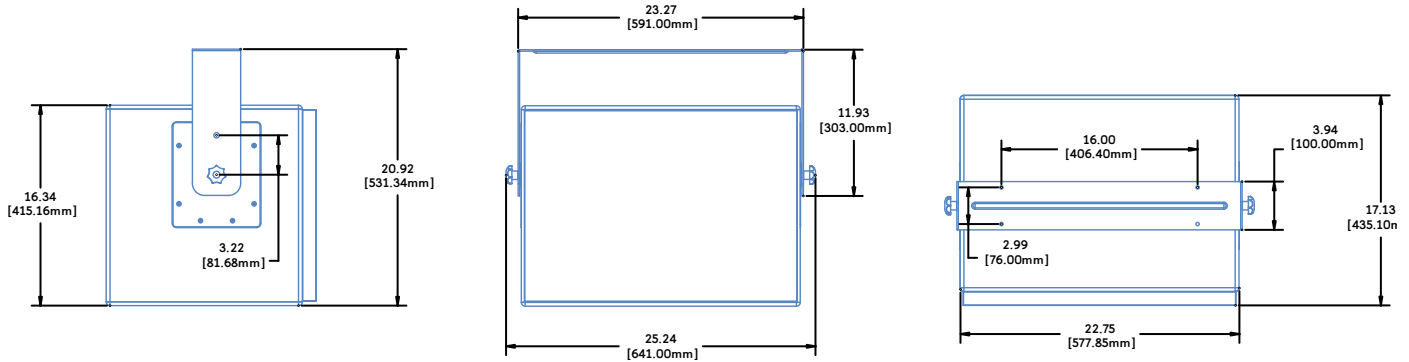


UMS-SM SINGLE MOUNT SUBWOOFER



UMS-SM Dimensions with U-Bracket

The UMS-SM subwoofer is a version of the UMS-1P subwoofer with threaded end plates for single-mount configurations with the UMS-SM U-bracket. The UMS-SM end plates are factory-installed (with the U-bracket) and not available as an upgrade option for the UMS-1P. The UMS-SM retains the same acoustical and electrical characteristics of the UMS-1P.

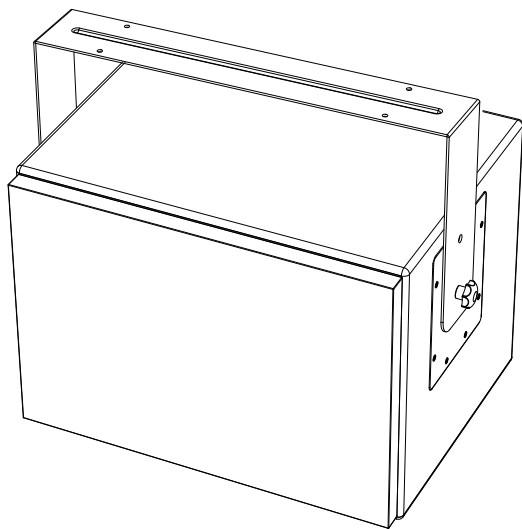


NOTE: For complete information on the electrical and acoustical characteristics of the UMS-SM, refer to the *UMS-1P Operating Instructions*.

Important Safety Considerations for Rigging!

When installing Meyer Sound loudspeakers, the following precautions should always be observed:

- All Meyer Sound products must be used in accordance with local, state, federal, and industry regulations. It is the owner's and user's responsibility to evaluate the reliability of any rigging method for their application. Rigging should only be carried out by experienced professionals.
- Use mounting and rigging hardware that has been rated to meet or exceed the weight being hung.
- Make sure to attach mounting hardware to the building's structural components (studs or joists), and not just to the wall surface. Verify that the building's structure and the anchors used for the installation will safely support the total weight of the mounted loudspeakers.
- Use mounting hardware appropriate for the surface where the loudspeaker will be installed.
- Make sure bolts and eyebolts are tightened securely. Meyer Sound recommends using Loctite® on eyebolt threads and safety cables.
- Inspect mounting and rigging hardware regularly. Immediately replace any worn or damaged components.



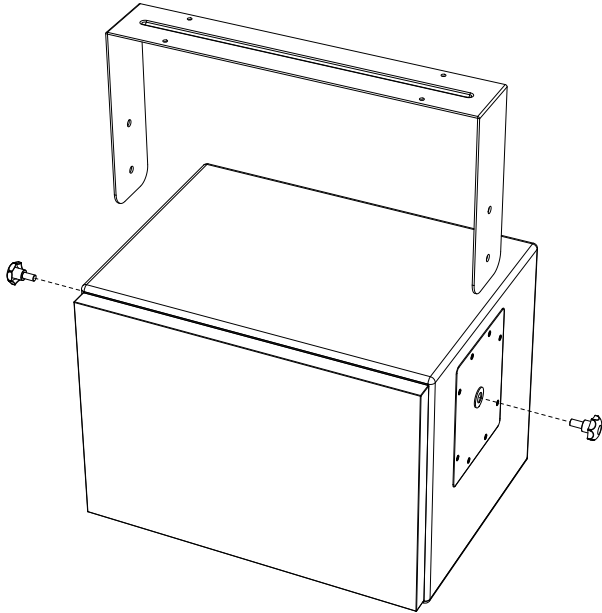
UMS-SM Subwoofer with U-Bracket



NOTE: The UMS-SM mounting plates come standard with the unit and are factory-installed the U-bracket. The end plates are not available as an upgrade option for UMS-1P subwoofers.

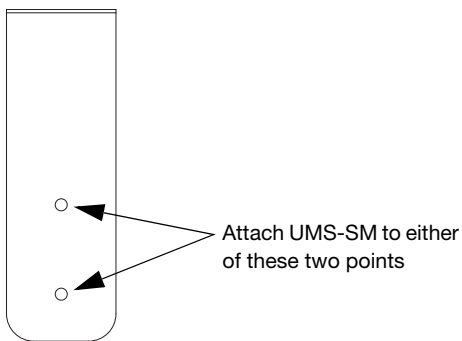
THE UMS-SM U-BRACKET

The UMS-SM U-bracket mounts a single UMS-SM subwoofer on walls and ceilings. The U-bracket has two sets of attachment points that determine how closely the UMS-SM is mounted to the surface. The subwoofer can also be tilted as necessary to affect coverage.



UMS-SM U-Bracket Exploded View

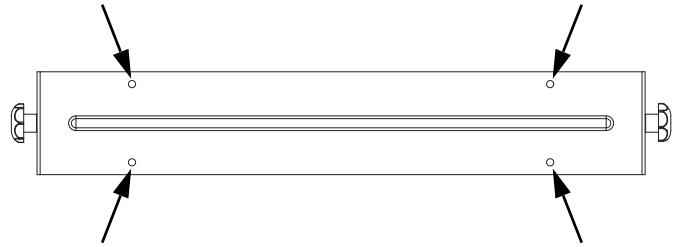
The U-bracket is factory installed with the UMS-SM and attached to its end plates with two M10, 25 mm knobs and two neoprene washers (placed between the subwoofer's end plates and the U-bracket).



UMS-SM U-Bracket Side Attachment Points

UMS-SM U-Bracket Load Ratings

The UMS-SM U-bracket has four 1/4" corner mounting holes for attaching the bracket to mounting surfaces.



UMS-SM U-Bracket Mounting Holes

The load rating for the U-bracket's mounting holes, when suspending a single UMS-SM subwoofer, is as follows:

- 1 UMS-SM (load evenly distributed) at a 7:1 safety rating

ABOUT THIS ADDENDUM

Information and specifications are subject to change. Updates and supplementary information are available on the Meyer Sound website:

<http://www.meyersound.com>

Meyer Sound Technical Support is available at:

- **Tel:** +1 510 486.1166
- **Fax:** +1 510 486.8356
- **Email:** techsupport@meyersound.com

Free Manuals Download Website

<http://myh66.com>

<http://usermanuals.us>

<http://www.somanuals.com>

<http://www.4manuals.cc>

<http://www.manual-lib.com>

<http://www.404manual.com>

<http://www.luxmanual.com>

<http://aubethermostatmanual.com>

Golf course search by state

<http://golfingnear.com>

Email search by domain

<http://emailbydomain.com>

Auto manuals search

<http://auto.somanuals.com>

TV manuals search

<http://tv.somanuals.com>