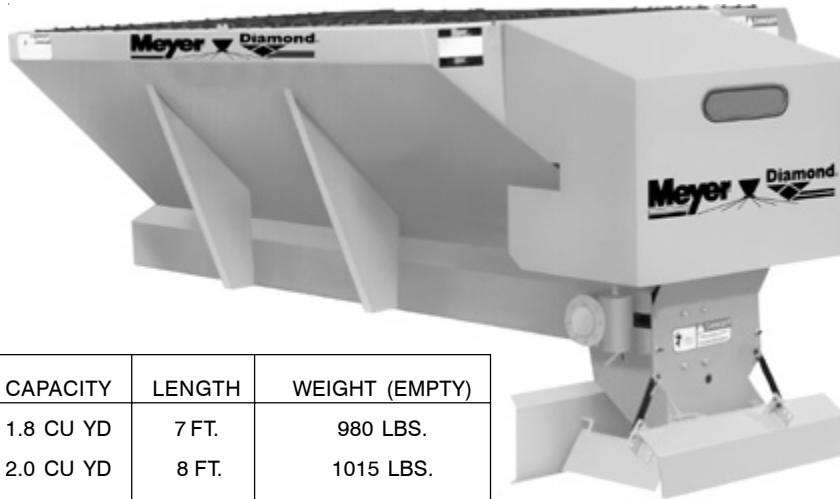


INSTALLATION ^{and} OPERATING INSTRUCTION MANUAL

1.8 & 2.0 CU. YD. INSERT HOPPER SPREADER with Replaceable conveyor Floor



PART NO.	CAPACITY	LENGTH	WEIGHT (EMPTY)
62209 (STEEL)	1.8 CU YD	7 FT.	980 LBS.
62517 (STEEL)	2.0 CU YD	8 FT.	1015 LBS.
62504 (STEEL)	SPINNER ASSEMBLY		
62505 (STEEL)	SPINNER ASSEMBLY (EXT.)		

INDEX

SAFETY ALERT	2
SPREADER ASSEMBLY INSTRUCTIONS	3 - 5
ELECTRIC THROTTLE CONTROLS	6 - 9
CENTER HIGH MOUNT STOP LAMP	10 - 11
HYDRAULICS	12 - 13
SPREADER OPERATION	14 - 17
SPREADER MAINTENANCE	18
<u>SPREADER PARTS LISTS & EXPLODED VIEW</u>	
• HYDRAULIC MOTOR	19
• HYDRAULIC DRIVEN SPREADERS	20 - 27
• ENGINE DRIVEN SPREADERS	28 - 35
• DURST GEAR BOX ASSEMBLY	36 - 37
• SUPERIOR GEARBOX ASSEMBLY	38 - 39
• <u>SPINNER ASSEMBLY</u>	
• SHORT	40 - 41
• INTERMEDIATE "NEW STANDARD EQUIPMENT"	42 - 43
• EXTENDED	44 - 45
• <u>ELECTRIC CONTROLS</u>	
• HONDA ENGINE	46 - 47
• BRIGGS & STRATTON ENGINE	48 - 49
• CONTROL BOX	50 - 51
• OPTIONAL COMPONENTS	52 - 53
• PARTS LIST SHIPPING CARTON	53
NAME PLATE INFORMATION	54
WARRANTY INFORMATION	55
WARRANTY REGISTRATION CARD	55

Meyer Products and Diamond Equipment reserves the right, under its continuing product improvement program, to change construction or design details, specifications and prices without notice or without incurring any obligation.

Meyer Products
18513 Euclid Ave. • Cleveland, Ohio 44112-1084
Phone 486-1313 (Area Code 216)
www.meyerproducts.com • email info@meyerproducts.com



Diamond Equipment
6 Angell Lane • Damariscotta, ME 04543-9720
Phone 563-2227 (Area Code 207)
www.diamondplow.com • email info@diamondplow.com

THE BEST SAFETY DEVICE IS A CAREFUL OPERATOR!

SAFETY ALERT SYMBOL



THIS SYMBOL MEANS ATTENTION!
BECOME ALERT! YOUR SAFETY IS INVOLVED!
PLEASE READ AND UNDERSTAND COMPLETELY BEFORE DOING!

SAFE EQUIPMENT INSTALLERS AND OPERATORS:




TURN OFF ALL POWER BEFORE PERFORMING ANY SERVICE OPERATIONS

- FOLLOW RECOMMENDED OPERATING PROCEDURES.
- KEEP EQUIPMENT IN SAFE OPERATING CONDITION AT ALL TIMES.
- RECOGNIZE AND AVOID HAZARDS WHILE OPERATING, SERVICEING AND MAINTAINING EQUIPMENT.



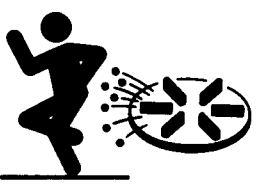
REFER TO THE ENGINE OPERATING & MAINTENANCE MANUAL FOR SPECIFIC SAFETY PRECAUTIONS FOR THIS ENGINE.



CAUTION

1. KEEP ALL SHEILDS IN PLACE.
2. MAKE CERTAIN EVERYONE IS CLEAR BEFORE STARTING MACHINE OR MOVING VEHICLE.
3. KEEP HANDS, FEET, AND CLOTHING AWAY FROM ALL POWER DRIVEN PARTS.
4. DISENGAGE P.T.O., SHUT OFF HYDRAULIC VALVE AND SET PARKING BRAKE BEFORE LEAVING OPERATOR'S POSITION. MAKE SURE ALL MOVEMENT HAS STOPPED BEFORE SERVING, UNCLOGGING OR CLEANING MACHINE.
5. USE FLASHING LIGHTS WHEN OPERATING MACHINE.
6. MAKE SURE MACHINE IS SOLIDLY SUPPORTED WHEN IT IS BEING MOUNTED, DISMOUNTED, OR STORED.


IF DEFACED • ORDER PART NO. 04049 045 00



DANGER

Stay clear while spinner is turning

IF DEFACED - ORDER PART NO. 04049 044 00



DANGER

Turn power off before servicing

IF DEFACED-ORDER PART NO. 04049 182 00

NOTICE:

Instructional Material And Parts Lists Included In This Manual Are Subject To Change Without Notice.

INSTALLATION AND ASSEMBLY INSTRUCTIONS

INSTALLATION INSTRUCTIONS:

The 1.8 and 2.0 Series Spreaders can mount and store as a single unit and will mount on most medium, heavy-duty/pick-up trucks as well as 1 ton trucks

WARNING

THE SPREADER UNIT MUST BE SECURELY FASTENED TO THE VEHICLE. FAILURE TO NOT PROPERLY RESTRAIN THE UNIT COULD PERMIT THE UNIT TO BREAK FREE FROM THE TRUCK AND CREATE A POTENTIAL FOR A LIFE THREATENING ACCIDENT.

DO NOT OVERLOAD THE VEHICLE. It is quite possible to overload the vehicle by improperly mounting or over loading the spreader. This could result in dangerous stability and braking problems. Always consult and follow the truck manufacturer's instructions.

WARNING

BEFORE BEGINNING ANY INSTALLATION ON THIS UNIT, disconnect the spreader battery negative cable if already installed.

1. Place the Spreader in the rear of truck with the engine/hydraulic motor to the rear of the truck. Center the spreader (side to side) in the truck. The spreader should extend past the rear of the outer most part of the truck (i.e: truck bed, bumper) approximately 18 inches.

CAUTION

INSURE THAT THE SPREADER CANNOT TIP WHEN THE SPINNER ASSEMBLY IS ATTACHED

SPINNER ASSEMBLY

- a. Raise engine shroud and prop it open with the support rod. (If engine driven model)
 - b. Slide the spinner frame assembly into the rear of the longitudinal with the spinner back plate toward the rear.
 - c. Bolt the spinner to the longitudinals using the four (4) 3/8" x 1" bolts, 3/8" flange nuts and flatwashers from hardware bag located on the spinner. Using one (1) 3/8" x 1" bolt, flatwashers and flange nut from hardware bag, bolt the top portion of the spinner back plate to the engine plate.
 - d. Install roller chain between the gear box sprocket and the spinner sprocket.
Make sure sprockets are in line with each other. The roller chain is tightened first by loosening all four (4) 3/8" bolts on the back plate; then pull the entire bearing/shaft assembly in such a way to achieve the proper amount of chain tension. Make sure the spinner shaft is straight up and down before re-tightening.
2. Reposition the spreader in the truck, just short of making contact with the rearmost part of the truckbed, bumper, pintle hook etc. Bolt the unit to the truck using a minimum of four (4) 1/2" - grade 5 bolts and corresponding washers and locknuts.

The spreader is designed to sit flat on the bed of the truck, supported by the longitudinals/sides.

DO NOT SUPPORT THE SPREADER BY THE BODY JACKS ALONE!! UNIT IS NOT DESIGNED FOR CHASSIS MOUNT APPLICATIONS!

OPTIONAL HOLD-DOWN KIT

Part No. 62562 (00002-306-00)

ITEM	PART NUMBER		QTY.	DESCRIPTION
1	62602	04068-038-00	4	Ratchet/Strap
2	62807	04048-504-02	4	Bolt, 1/2" Eye
3	20307	04003-804-06	4	Locknut, 1/2-13 Esna ZP
4	62604	04003-801-11	4	Nut, 1/2-13 Hex ZP
5	62605	04004-002-16	8	Flatwasher, 3/4"

INSTALLATION INSTRUCTIONS

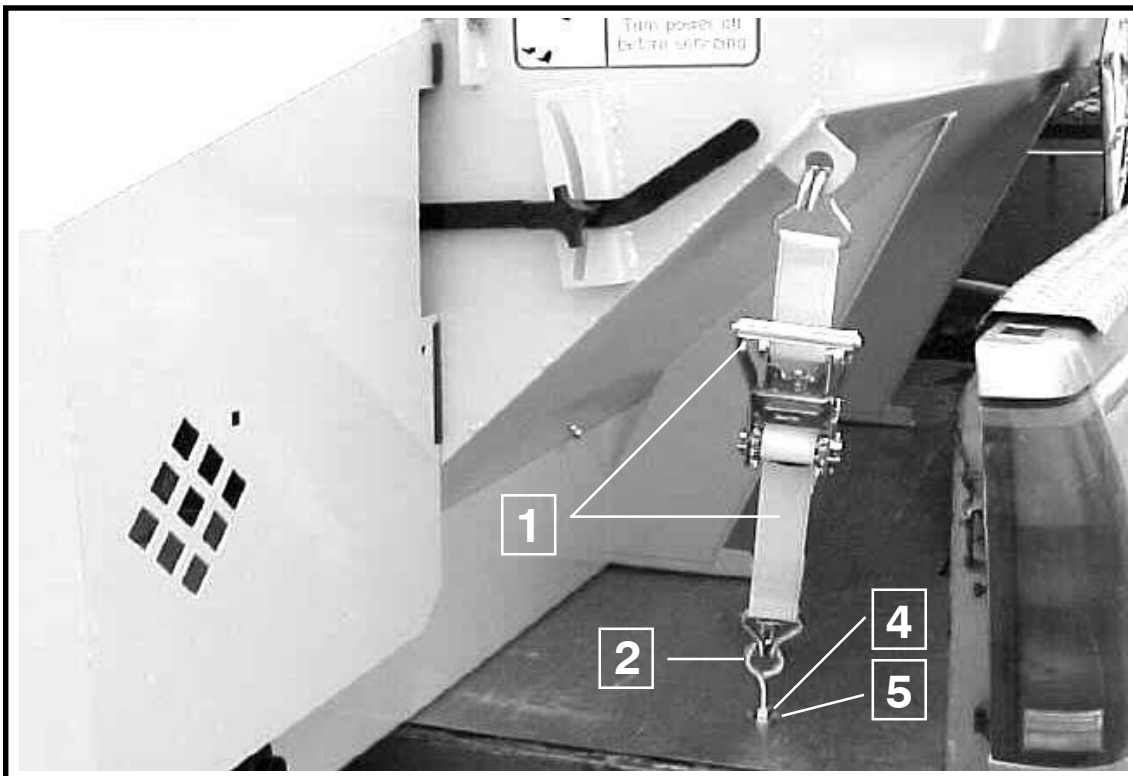


CAUTION

READ ALL THE INSTALLATION INSTRUCTIONS BEFORE STARTING

Before starting, verify that this mounting is acceptable to the vehicle manufacturer.

Attach the hold down at each corner of hopper as shown. Locate and drill four .531 (17/32") diameter holes for eye-bolts in the truck bed (position may vary from that shown). Straps must be positioned at opposing angles so that spreader cannot slide forward or rearward. Mount eye-bolts as shown, with locknuts and flatwashers on the bottom side. Assemble ratchet/strap to eye-bolts. Tighten hold downs evenly. Do not over tighten damage will result to the spreader or the truck.



ASSEMBLY INSTRUCTIONS

1. Install roller chain between the gear box sprocket and the spinner sprocket. Make sure sprockets are in line with each other. The roller chain is tightened, first by loosening all four (4) 7/16" bolts on the back plate. Then, pull the entire bearing bracket assembly in such a way to achieve the right amount of chain tension. Make sure spinner shaft is straight up and down before retightening.

2. **Electric Throttle:** Go to page 8.

Manual Throttle: Installation or replacement with gasoline engine do the following: Attach "Z" end of throttle cable to engine throttle. Anchor brass shoulder end to engine with hold down. Drill 1/2" hole in truck cab for control end of cable. The throttle handle can be removed to put throttle cable through drill hole. **DO NOT MAKE SHARP BENDS OR KINK THROTTLE CABLE.** Use rubber grommet, supplied, in hole that you just drilled to protect cable. Do not mount throttle cable assembly to switch bracket yet; upcoming assembly instructions will become more difficult if throttle cable is mounted now.

Refer to diagram "A" on page 6-7 for installation and part ordering.

3. Run the (2) conductor cable (#16), which leads from the solenoid (white lead), and the electric clutch (black lead) through the same hole which you put your throttle cable through.
4. Wire-up (2) conductor cable (#16) to the control panel as Diagram "A" shows; making sure the white conductor is connected to the lone terminal of the push button (#3) and the black conductor to the lone terminal of the on/off button (#7). The red wire (#6) which is about 4 ft. long, must be connected into the vehicles electrical system so that it provides power to switch bracket. Control panel will not function without this connection.
5. Find a convenient location for the control panel and drill (2) 13/32" holes on 3" hole centers. Before mounting, you may want to mount throttle cable to control panel according to diagram "A." Using the 3/8" x 1" bolts, lockwashers and nuts, mount panel securely.
6. When finished, make sure all wires are away from moving parts and lower engine shroud.



CAUTION!

Never operate machine with engine shroud in the upright position. Never climb into hopper while the engine is operating. **SERIOUS INJURY or DEATH MIGHT OCCUR.**



WARNING

Consult vehicle manufacturer for acceptable mounting locations. Improperly mounting the control box could interfere with air bag(s) and the other functions of the occupant protection systems, such as knee bolsters!

Before mounting, you may want to mount throttle cable to control panel according to Diagram "A". Using the 3/8" x 1" bolts, lockwashers and nuts, mount panel securely.

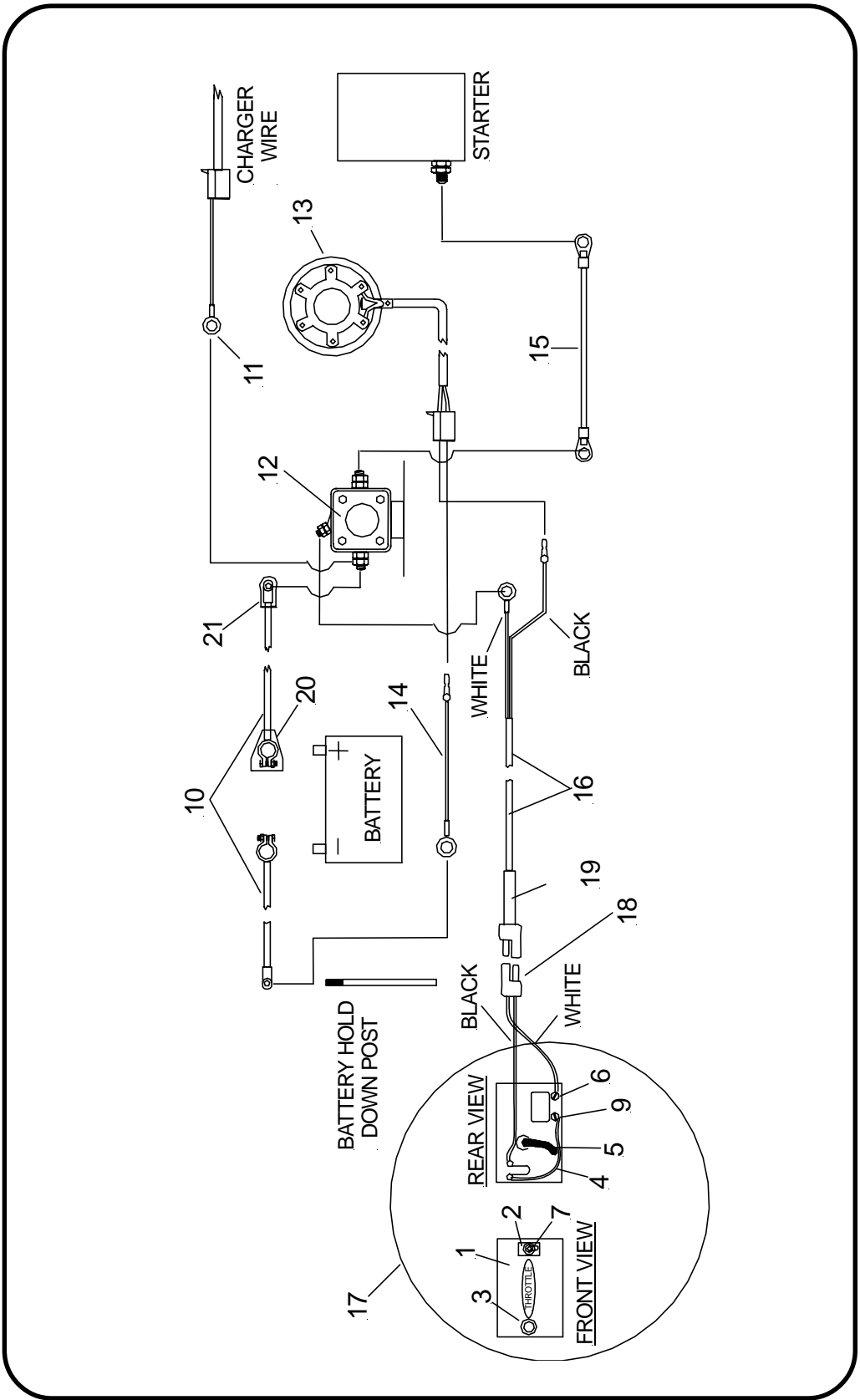


DIAGRAM "A"

TABLE FOR DIAGRAM "A"

ITEM	PART NO.		QTY.	DESCRIPTION
	62116	00001-598-00	1	Carton, Electrical Cab Controls
1	61216	00104-824-00	1	• Switch Bracket
2	62047	04640-004-00	1	• On/Off Plate
3	62038	04144-008-00	1	• Push Button Switch
4	62042	04616-013-00	1	• 16 Ga. Black Wire (6" Long)
5	61188	04143-024-00	1	• Throttle Cable Assembly
6	62043	04616-032-00	1	• 16 Ga. Red Wire (4' Long)
7	62049	04640-013-00	1	• On/Off Switch
8	62805	04638-040-06	1	• Insulated Spade Terminal
9	92805	04638-040-06	2	• Insulated Spade Terminal
10	62040	04604-004-00	2	• 19" Battery Cable
11	62046	04638-039-04	1	• Insulated Ring Terminal
12	61179	04146-005-00	1	• Grounded Solenoid
13	61167	04138-017-00	1	• Electric Clutch
14	_____	_____		•• Now part of item 13
15	61213	04616-067-02	1	• Starter Cable
16	62107	00111-162-00	1	• Cable Assembly, Rear Half
17	61152	00104-847-00	1	• <u>Assembly, Control Panel</u> **
18	62108	00111-163-00	1	• Cable Assembly, Front Half
19	_____	Not Used		• Tubing, Shrinkable 1/8" x 2"
20	62105	04067-033-00	1	• Boot, Battery Cable (Battery End)
21	62106	04067-033-00	1	• Boot, Cable (Solenoid End)

Parts indented are included in the carton, bag or assembly under which they are indented.

** Includes items 1- 9

INSTALLATION INSTRUCTION FOR ELECTRIC THROTTLE CONTROLS (FACTORY INSTALLED ACTUATORS)



WARNING

BEFORE BEGINNING ANY INSTALLATION ON THIS UNIT, disconnect the spreader battery negative cable if already installed.

PREPARING UNIT:

1. Spreaders with factory installed throttle controls do not require installer hook-up to the engine. The actuator has been installed and tested at the factory.
2. Raise the engine shroud and securely prop it in place with the prop rod. The installer will have to remove the ties securing the coiled actuator cable to the top of the engine.
3. The throttle actuator cable plugs into the in-cab control panel after being routed from the cab of the vehicle to the rear of the mounted spreader.
4. Select a suitable location in the cab of the vehicle to mount the throttle control box.



WARNING

Consult vehicle manufacturer for acceptable mounting locations. Improperly mounting the control box could interfere with air bag(s) and the other functions of the occupant protection systems, such as knee bolsters!

5. After the location of the control panel is determined, the cable must be routed to the front of the spreader, Route cable under the cab and up to the front of the spreader securing as needed. Allow enough cable for the control panel to be mounted in the cab.
6. The routed cable must be clear of all moving or hot parts on the spreader or vehicle. Secure the cable with the ties provided. Excess cable must be coiled up and secured. Apply dielectric grease on Item # 21 page 46 for protection from salt spreading environment.
7. Mount the control panel (with screws supplied).
8. For permanent cable mount at rear of the truck, a mounting bracket is supplied.
9. Install a 12 volt battery with 40 ampere hour rating, recommended for winter use (if not already done). The battery hold-downs furnished will accept any 2 SM Series battery.



WARNING

USE SAFETY GLASSES OR OTHER FACE PROTECTION AGAINST POSSIBLE BATTERY EXPLOSION. DO NOT SMOKE AND AVOID OTHER SOURCES OF IGNITION.

10. Attach the positive battery cable (each end should have a rubber boot) to the positive terminal of the solenoid and to the positive terminal of the battery. Make sure these protective boots are covering the positive terminal post on the battery and on the solenoid. Attach one end of the remaining battery cable to the negative terminal of the battery.

11. Connect the negative battery terminal to the battery hold down post. When finished, make sure all wires are away from moving parts and lower engine shroud.

12. Plug cable from spreader into socket mounted on truck.



WARNING

Never operate machine with engine shroud in the upright position. Never climb into hopper while the engine is operating or capable of being operated.

SERIOUS INJURY or DEATH MIGHT OCCUR.

NOTE: Read and fully understand the owners manual supplied by the engine manufacturer before operating this equipment. Not doing so, endangers your safety and the warranty of the engine.

CENTER HIGH MOUNT STOP LAMP (CHMSL)

WARNING

Federal Motor Vehicle Safety Standards require all Trucks, Buses, and Multipurpose passenger vehicles, manufactured on or after September 1, 1993, with a gross vehicle weight rating (GVWR) of 10,000 lbs. or less and overall width less than 80" must be equipped with a Center Height Mount Stop Lamp (CHMSL).

If the original equipment CHMSL is obscured, an auxiliary CHMSL must be installed to bring vehicle back into compliance with Federal Regulations.

Electrical Connection for Auxiliary CHMSL:

(Notes for all truck makes)

1. Use high quality butt connectors and shrink wrap on all electrical splice connections. Wire should be routed and secured to protect against abrasion, sharp edges, excessive movement. It is highly recommend that wiring to be placed in convoluted tubing and secured with tie wraps.
2. When drilling holes, any bare metal should be coated with a rust preventative, use appropriate size grommets and seal hole with appropriate sealant.
3. Allow for normal movement / twisting between cab and chassis / pickup box when routing wires.
4. When spreader is removed from the truck, the OEM CHMSL must be reconnected.

WARNING

Consult the truck manufacturer for an approved method of connecting an auxiliary CHMSL to the particular truck which is to carry the Spreader. Methods vary with truck models, optional equipment and years of manufacture. **IMPROPER CONNECTIONS COULD RESULT IN A VARIETY OF PROBLEMS AFFECTING CRITICAL SYSTEMS SUCH AS BRAKING, ELECTRICAL AND EMISSION ! DON'T GUESS !**

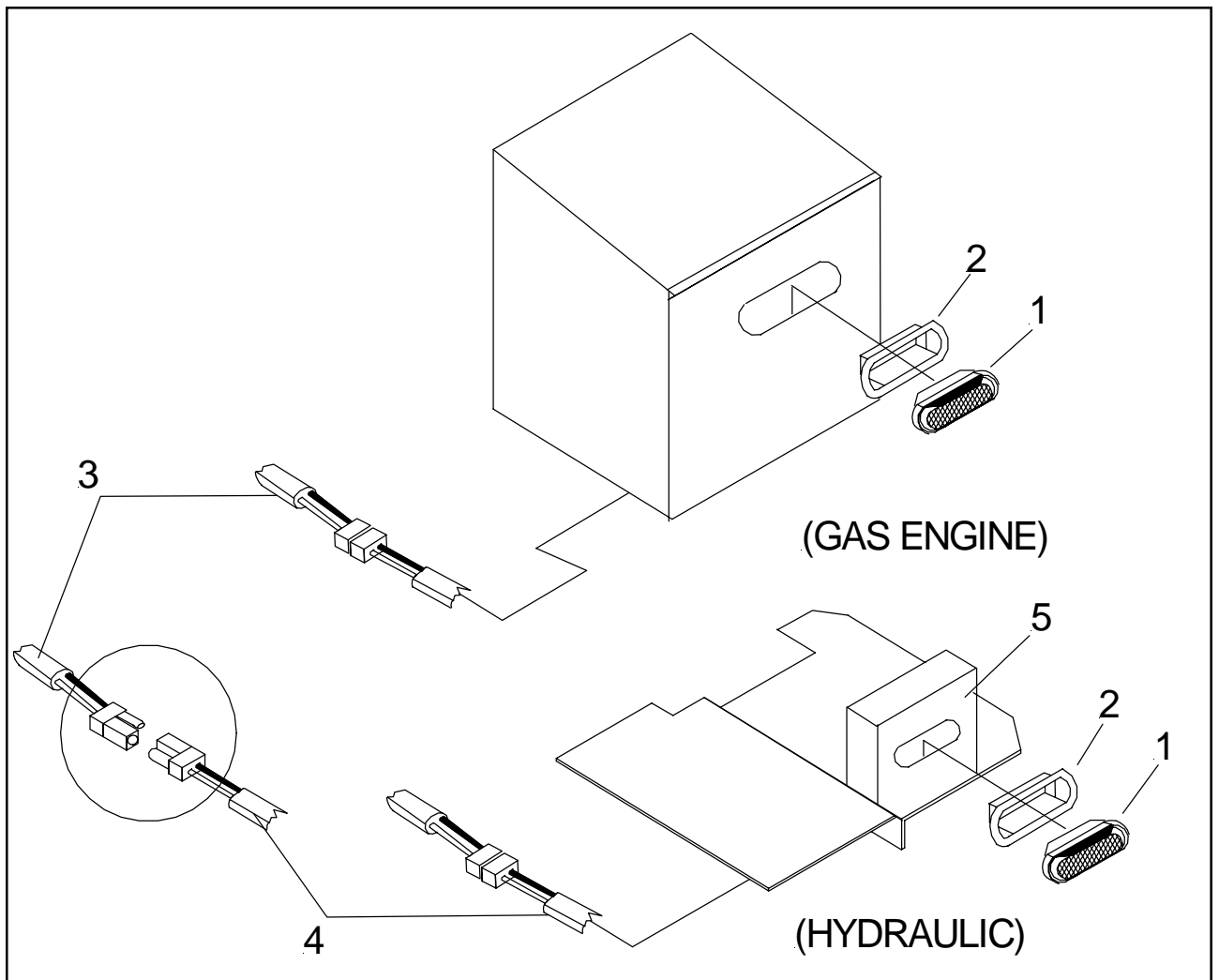
PV Spreader CHMSL Installation:

Mount power cable (04616-075-00) with plug at rear of truck frame and route to truck CHMSL power feed. Trim excess cable length, attach white wire to suitable ground, attach black wire to truck's CHMSL power feed. Connect cable on spreader to CHMSL power cable.

When the spreader is removed from the truck, the OEM CHMSL must be reconnected.

CENTER HIGH MOUNTING STOP LIGHT

ITEM	PART NUMBER		QTY.	DESCRIPTION
	62097	00002-144-00	1	Kit, Center High Mount Stop Light
1	62714	04605 153 00	1	• Lamp, Stop
2	62715	04605 154 00	1	• Grommet
3	62364	04605 155 00	1	• Cable, Light Power
4	62738	04616 075 00	1	• Cable, Stop Lamp
5	62283	00111 339 00	1	• Weld, Stop Lamp Bracket - Hydraulic Units ONLY
6	62739	00111 428 00	1	• Hardware Bag - Not Shown



HYDRAULICS



WARNING

LEAKING HIGH PRESSURE FLUIDS CAN INJECT THEMSELVES UNDER THE SKIN OF PERSONS NEAR A LEAK, CREATING GRAVE MEDICAL RISKS. TAKE CARE TO AVOID EXPOSURE TO HIGH PRESSURE FLUIDS.

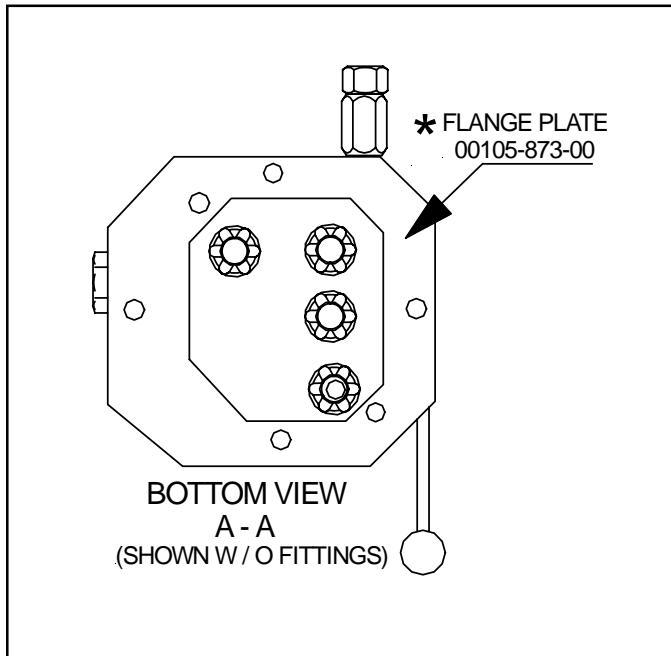
1. Hydraulic components should be kept as clean as possible during assembly operations.
2. Galvanized pipe and pipe fittings must not be used because flaking or galvanizing material can cause damage to major hydraulic components.
3. A pipe joint sealant, compatible with hydraulic oil, must be applied to all screwed fittings. (Teflon tape is not recommended.)
4. Hose should be protected where severe wear may be caused by vibration or sliding movement.
5. Long runs of hose should be supported by tie wiring or clamping.
6. Pressure and return hoses, connected to hydraulic motors, may be reversed for proper motor rotation. Spinner rotates in a clockwise direction when looking down from top.
7. Use hose manufacturer's recommendations for fitting re-useable hose ends.
8. Hydraulic pumps must be mounted so shaft rotates in direction of arrow.
9. Locate reservoir as close to pump as possible. It may be installed on truck frame or truck box.
10. Hydraulic return line filter is screwed directly onto reservoir with cartridge down. Oil must flow through filter in direction of arrow on filter.
11. Install the quick connect couplings so that when disconnected, there is a male and female on the truck as well as on the spreader. This way, hoses will always be hooked up properly, and hose ends can be coupled together when spreader is in storage to prevent system contamination.
12. See page 13 for valve assembly
13. Operate hydraulic system for several minutes to warm up. Check all connections for leaks.
14. After running, refill reservoir to three fourths full.

CONTROL AND HYDRAULIC SYSTEM SPECIFICATIONS

- * Hydraulic Oil Good Grade of MS10W Hydraulic Oil Which has wear, oxidation and foam inhibitors.
- * Oil Filter 10 Micron Element Return Line Filter.
- * Relief Valve Setting 1500 PSI
- * Oil Flow 0 - 10 GPM

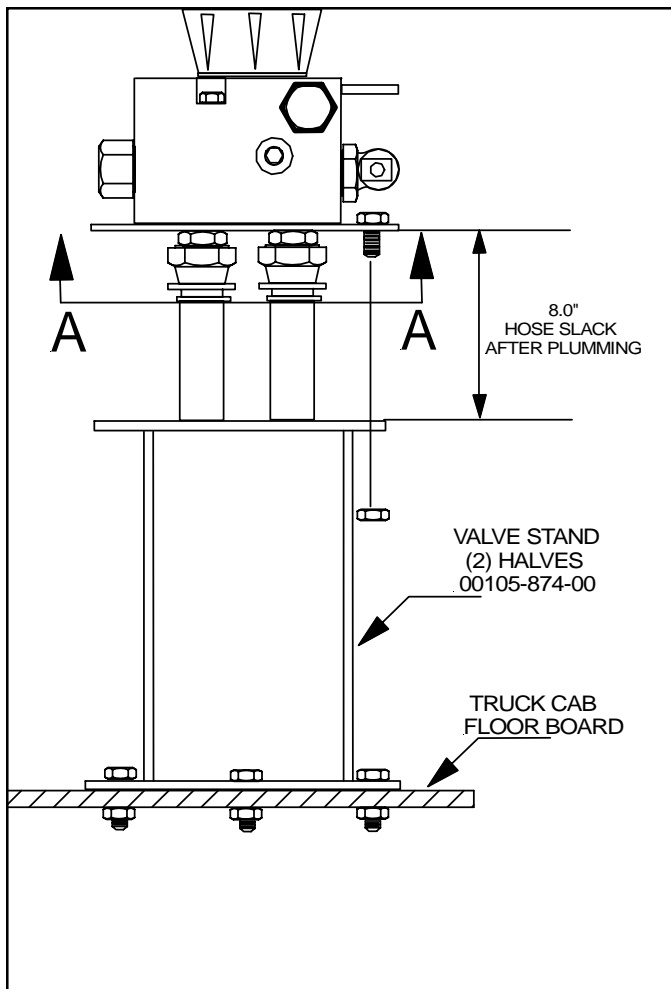
SINGLE FLOW CONTROL VALVE

61190
(04105-306-00)



DUAL FLOW VALVE/STAND INSTALLATION INSTRUCTIONS

1. **IMPORTANT:** A pipe joint sealant compatible with hydraulic oil must be applied to all screw fittings. (Teflon Tape Sealant Is Not Recommended)
2. Hose ends connected to flow valve must be of the "swivel" type.
3. **CAUTION:** Over tightening of the fittings in flow valve may cause damage to valve body.
4. Approximately 8" of hose slack must be realized between the flow valve and valve stand after the flow valve has been completely plumbed. If this condition does not exist after the plumbing has been completed, removal of valve will require hoses to be removed at opposite end of valve.
5. Assembly of valve on stand:



- a. Cut a 5" x 5" square opening in floor board of truck where the valve stand is to be located.
- b. Bolt valve stand halves together forming a "box" over the 5" x 5" square opening. **NOTE:** When bolting valve stand halves in place, make sure holes in flanges align with holes in flange plate. "*"
- c. Bolt flange plate to VALVE (Use (2) 1/4" x 3" bolts, lockwashers, etc.)
- d. Insert hoses through floor opening and valve stand and connect appropriate hoses (see instructions #1 thru #4) to flow valve.
- e. Bolt flange plate to valve stand flanges.

OPERATION



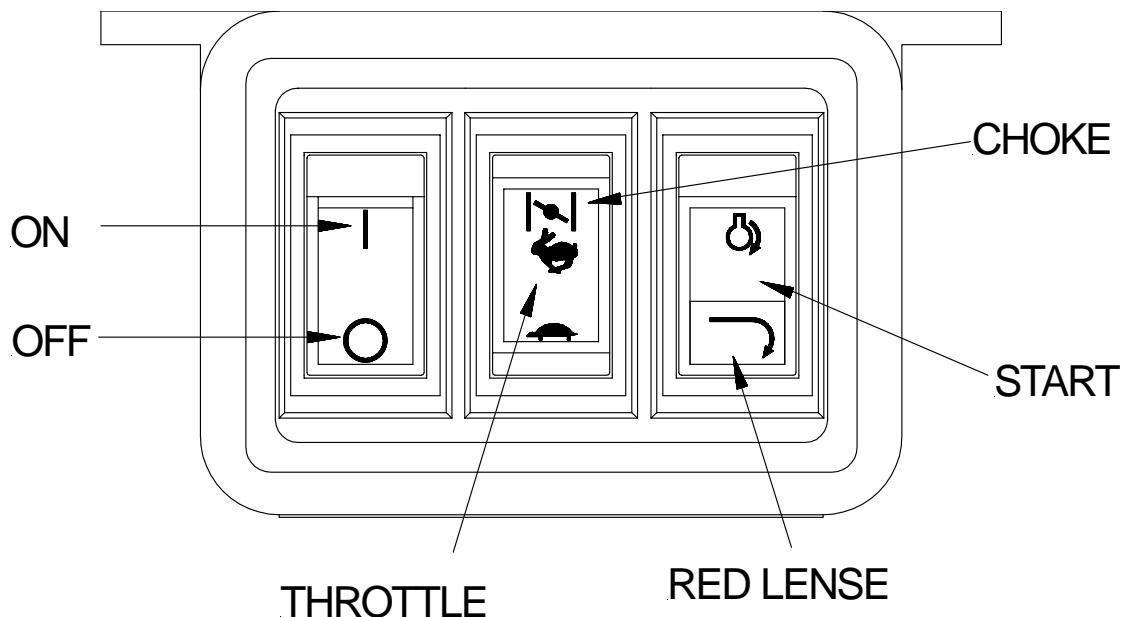
WARNING

BEFORE OPERATING THE CONTROL PANEL - MAKE SURE THAT NO ONE IS INSIDE THE HOPPER OR NEAR THE SPINNER.

1. **Manual Throttle:** All gasoline engine models come with a control panel. If your spreader is a manual throttle model, look at your control panel. It will have (3) controls mounted on it. The one on the far left is the start button. The right toggle is the electric clutch control. When the switch is in the "OFF" position, the electric clutch is disengaged and the conveyor and spinner will stop. In the "ON" position, conveyor and spinner will operate. The middle control is the throttle. Your engine is equipped with a semi-automatic choke. To activate the choke, pull the throttle cable all the way out. To remove the choke function when engine is warm, push throttle cable in, to desired engine RPM.



2. **Electric Throttle Control Panel Switch Functions**
(Sequence of Operations)



Electric Throttle Control Panel Switch Functions Cont.

- A. ON/OFF System power activated (ready to start). Spreader engine is not running. Spreader conveyor is not engaged.
- B. START (Engine only)
1. Open fuel shut off valve on engine.
 2. On On switch depressed.
 3. Choke (cold engine) Hold down for 5 seconds to move the throttle actuator to the choke position.
Note: Choking a warm engine may not be necessary.
 4. Start Hold down until engine starts.
 - 4a. On models with 6.5 HP at temperatures under minus 20° F (minus 29° C) it may be necessary to start the engine manually.
 5. Turtle Decreases throttle speed - adjust as engine warms up. Will stop the choke function.
Rabbit Increases throttle speed.
- C. TO ENGAGE Spreader Conveyor
1. Push CONVEYOR switch only after you are sure no one is in the hopper or near the spinner! This lights up the red indicator light, if light does not light, take care to verify that the light is not malfunctioning.
- D. TO CONTROL Conveyor Speed.
1. Hold RABBIT to increase speed. NOTE: Do not hold switch in HI position after the desired RPM is achieved or you will choke and/or stall the engine.
 2. Hold TURTLE to decrease speed.
- E. TO DISENGAGE Spreader Conveyor.
1. Tap START switch momentarily so that red indicator light goes out. Do not fully depress the START switch, only half way is needed. Only the conveyor stops, the engine continues to run.
- F. TO TURN ENGINE OFF (with or without conveyor running).
1. Depress LO on throttle control to reduce setting to idle (this prevents engine flooding and hard starting).
 2. Push OFF position on the ON/OFF switch.
- NOTE: OFF can be pushed at anytime during spreader operation to cut power to the unit . However, you should normally use steps under F above.**
(Once the off switch is depressed - the starting procedure must be followed for engine re-start.)
- G. Do not attempt to start the engine with the conveyor engaged. (CONV switch light will be lit to indicating its' being on.)
- H. Close fuel shutoff valve on engine if unit is to be transported while not running.



WARNING

1. As with all power equipment, safety is the number one concern.
2. Do not operate this equipment until you fully understand how it functions.
3. Before starting engine, be sure that no one is near the rear of the unit and that no one is inside the unit!
4. Do not start the engine or engage the conveyor (which is interconnected to the spinner); until everyone is clear from moving parts and flying material from the spinner.

SPREADER OPERATION

- A. Start the engine and engage the clutch. The amount of material spread, depends on engine speed and gate opening. Decreasing RPM and/or gate height will decrease amount spread; the inverse holds true also. Notice that the electric clutch can be engaged or disengaged at any time and at any engine RPM. However, since engagement time and torque is almost instantaneous, to prevent premature spinner chain failure and chain tension loss, it is recommended that the electric clutch be engaged at the lowest possible RPM without stalling the engine.

If the truck is to be driven for an extended period of time while the spreader is not operating, it is RECOMMENDED to turn off the gas at the carburetor inlet to prevent the carburetor from over filling with fuel.

Before loading the spreader the first time, start and stop the conveyor several times to break in the clutch.



WARNING

**ALWAYS STAND AT A SAFE DISTANCE AWAY FROM THE SPINNER WHILE OPERATING
ALWAYS WEAR EYE PROTECTION WHEN OUTSIDE OF THE TRUCK CAB WHILE
SPREADER IS RUNNING.**

- B. Spread pattern depends on baffle settings and spinner RPM. Maximum spreader width is 30 ft.
1. Speeding up or slowing down the engine will increase or decrease spread pattern width.
 2. Internal baffle adjustments will move the spread pattern to the right or left.
 3. External baffle adjustments will block spreading to the right or left side.

DESIRED SPREAD PATTERN	BAFFLE SETTING	
	INTERNAL	EXTERNAL
CENTERED BEHIND TRUCK	BOTH DOWN	ALL THREE UP
BEHIND TRUCK AND LEFT	RH - DOWN LH - UP	RH - DOWN LH - UP
BEHIND TRUCK AND RIGHT	RH - UP LH - DOWN	RH - UP LH - DOWN
WINDROW BEHIND TRUCK	RH - DOWN LH - DOWN	ALL - DOWN

4. External Baffles can be lowered to an intermediate position to baffle down the particles that may otherwise leave the spinner at a high trajectory.

SERVICE BULLETIN NO. 178

1.8, 2.0 and MDV Insert Hopper Spreader

Briggs & Stratton Corporation and Honda Engine Motor of America have stated in their manuals:

DO NOT TRANSPORT ENGINE WITH FUEL IN TANK OR WITH FUEL SHUT-OFF VALVE OPEN.

Failure in doing this may cause the engine crankcase to fill with fuel. If this occurs the engine warranty will be void by the engine manufacturer. It is the responsibility of the end user to ensure that the fuel shut-off is closed when the engine is not in operation.



MAINTENANCE



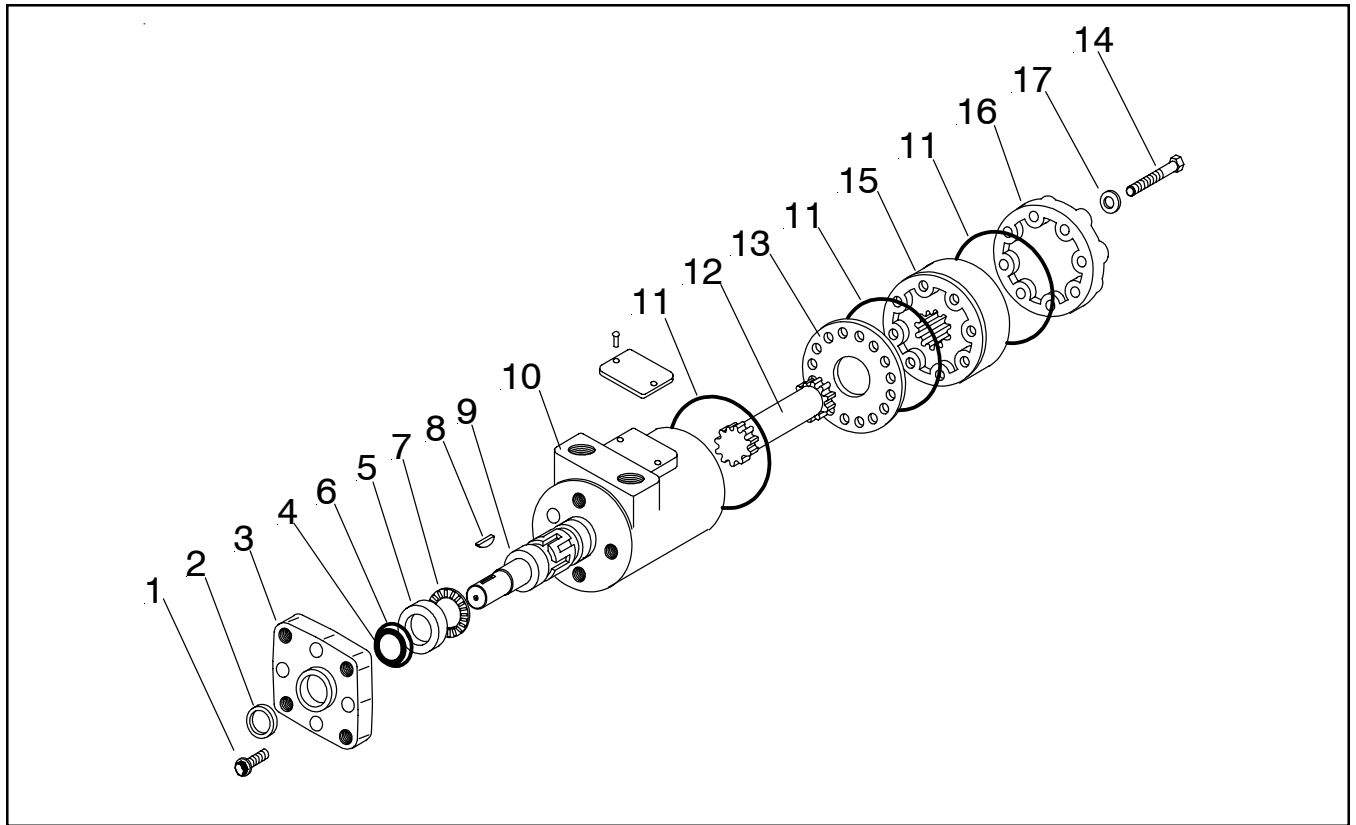
WARNING

DO NOT ATTEMPT TO LIFT THE SPREADER BY THE CENTER LIFT OR CORNER LIFT HOOKS WITH MATERIAL IN THE SPREADER.

BEFORE BEGINNING ANY MAINTENANCE ON SPREADER, DISCONNECT SPREADER BATTERY LEADS.

1. Grease idler bearings on idler shaft takeup assembly, outboard bearing on gearbox output shaft, and lower spinner bearing every ten hours of operation.
2. Grease input shaft bearing on gearbox every fifty hours of operation. **CAUTION!** Over greasing may cause seal damage. The gearbox must be filled to oil level plug with SAE 90 gear type lubricant. Keep breather plug clean.
3. Drag chain slack on V-boxes should be checked periodically and taken up if distance between center line of rear sprocket and point where chain contacts lower flange on longitudinal is less than eight (8) inches. **CAUTION!** Over tightening conveyor chain can cause serious drive train problems. Above distance must not exceed 20 inches.
4. If the spreader is equipped with a gasoline engine, it should be maintained per engine manufacturer's instruction. (Instructions and parts book is enclosed.)
5. V-belt tension must be maintained. The v-belt can be tightened by loosening engine hold-down bolts and sliding engine as required. **CAUTION!** Over tightening of v-belt may damage gearbox.
6. Roller chain tension must be maintained. It is adjusted by loosening the spinner mounting bearings and sliding the bearings. Make sure the spinner shaft is straight up and down before retightening. Oil chain often and at end of season.
7. When the box is not in use, it should be washed out. If the box is put in storage, all surfaces should be oiled or painted after washing.
8. For HYDRAULIC SPREADERS, maintain oil level three fourths (3/4) full in reservoir with clean high grade non-foaming hydraulic oil; recommended viscosity 100-200 SSU. Operating temperature should be limited to 180°F. Replace filter cartridge No. 62382 (04104 005 00) at least twice a year.
9. If chain becomes stuck or "froze" to the floor to the point where the clutch cannot pull the load, never attempt to free chain using a pipe wrench or any other tool on the output shaft. The gearbox is designed to accept torque from input shaft only. Trying to turn output shaft will strip the gears, thus voiding the warranty.
10. To minimize problems and extend the life of the Electric Clutch, the following is highly recommended.
 - a. Before starting unit, make sure the drag chain is free (not stuck or "froze" to the floor). If the drag chain is stuck, this can cause the clutch to burnup.
 - b. After the using season is over, remove clutch from unit, and clean thoroughly.
 - c. After cleaning, coat both mating surfaces of the clutch with oil or light weight grease.

NOTE: The Oil or Grease must be removed prior to the next using season.

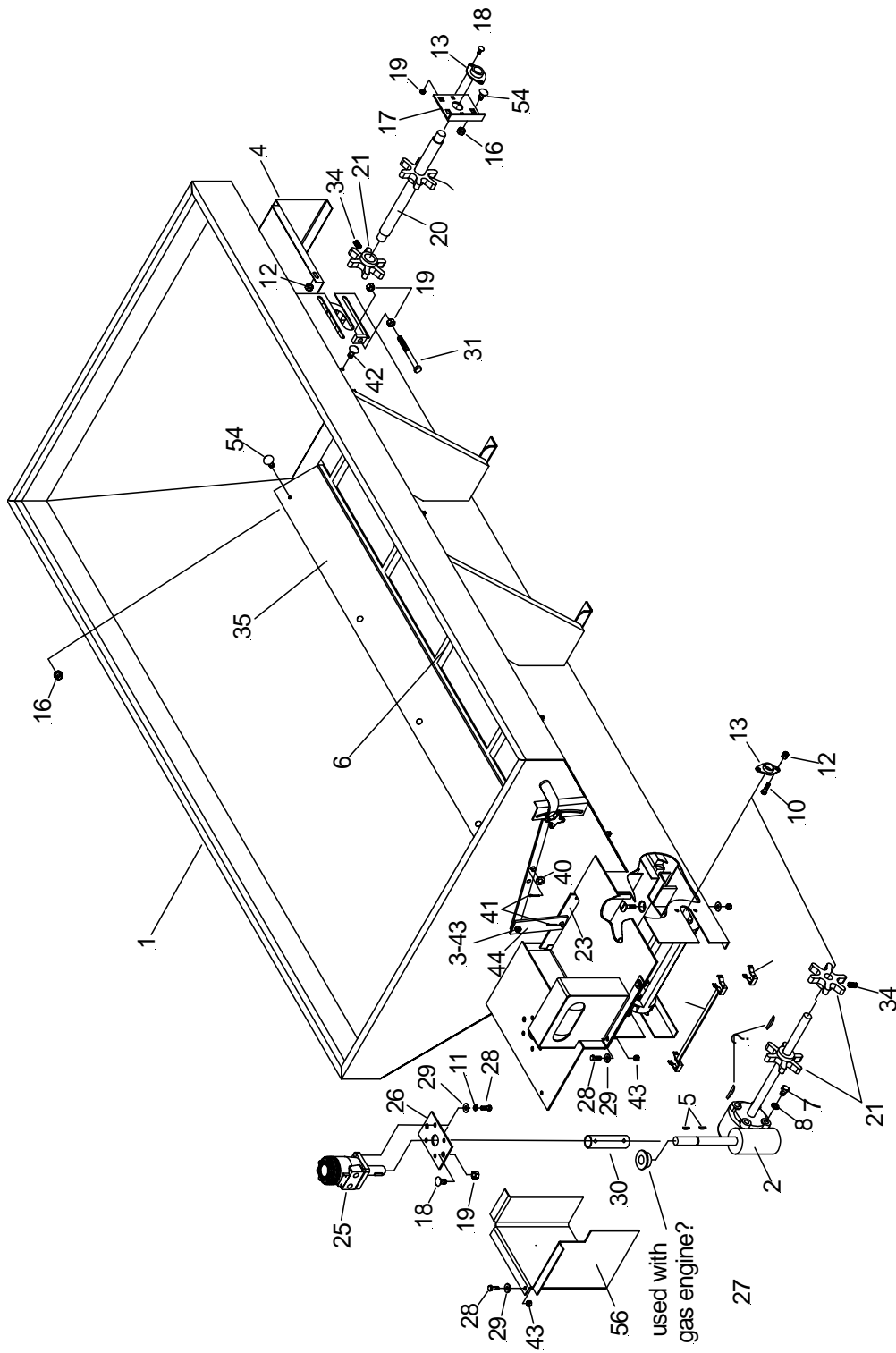


**PARTS LIST FOR HYDRAULIC MOTOR
60324 (04101-035-00)**

PARTS LIST

ITEM	PART NUMBER		QTY.	DESCRIPTION
1	20644	04101-035-01	4	Screw, 5/16" - 24 x 7/8"
2			1	Seal
3	62118	04101-102-02	1	Flange, Mounting (4 Bolt)
4			—	Seal, O-Ring
5	62756	04101 035 05	1	Race, Bearing
6			—	Seal, O-Ring
7	62757	04101 035 07	1	Bearing, Thrust Needle
8	21203	04009 002 02	1	Key, 1/4" x 1" Woodruff
9	62758	04101 035 09	1	Shaft, Output
10	62809	04101 035 10	1	Housing
11			—	Seal, O-Ring
12	62759	04101 035 12	1	Drive (For 04101 035 00)
13	62760	04101 035 13	1	Plate, Spacer
14	62761	04101-035-14	4	Screw, 5/16" - 24 x 1 1/2" Cap
15	62814	04101 035 15	1	Gerotor Set (For 04101 035 00)
16	62405	04101 035 17	1	Cap, End
17		04101 035 18	7	Washer, Seal
	62762	04101 035 21	1	Repaired Motor (for 04101 035 00)
	62406	04101 102 09	1	<u>Seal Kit</u> (Char-Lynn)
	62359	04101 035 98	1	Seal Kit (White)

HYDRAULIC DRIVEN HOPPER SPREADER



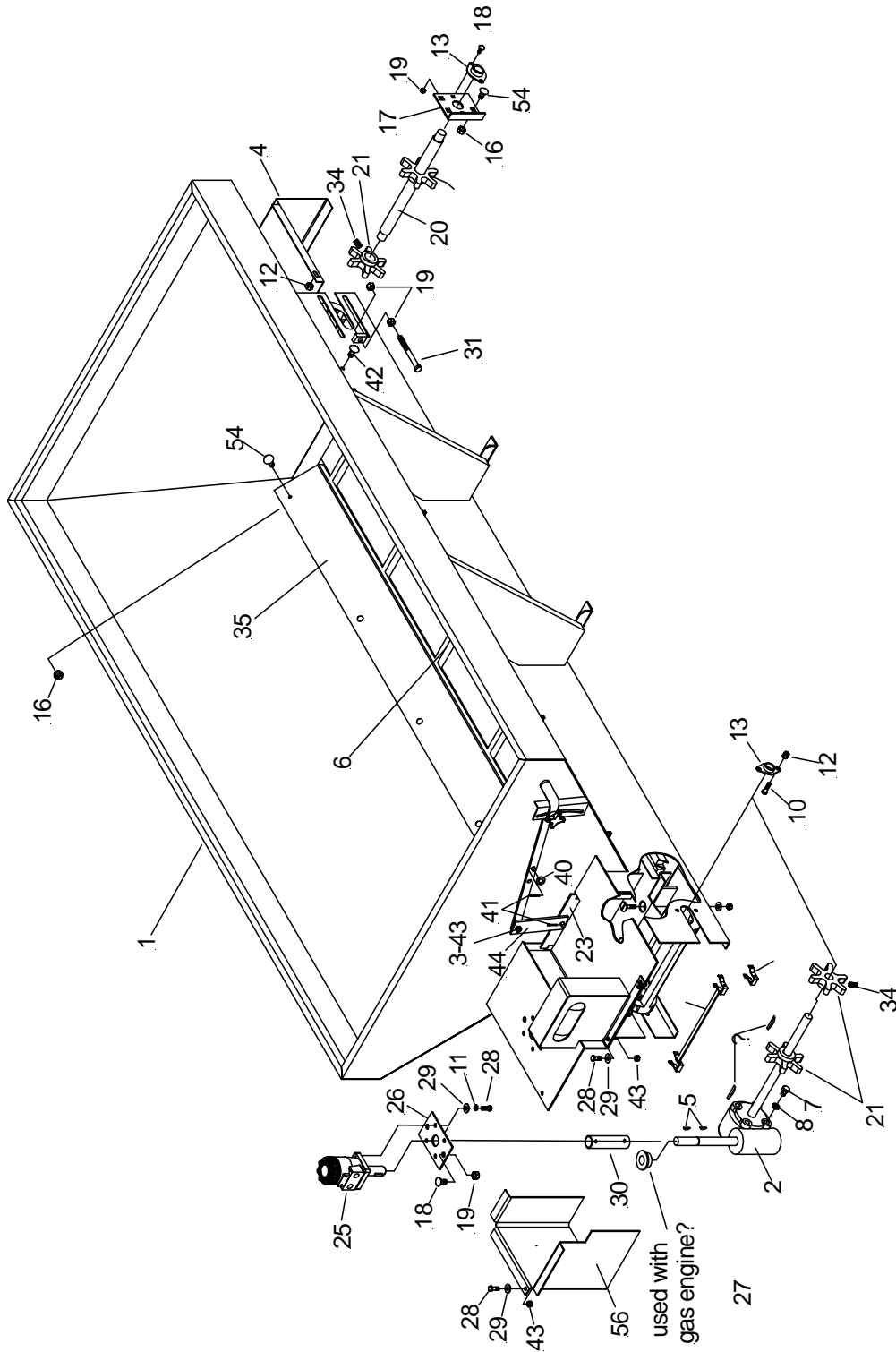
PARTS LIST FOR HYDRAULIC DRIVEN HOPPER ASSEMBLIES

(Carbon Steel) After 11-1998 S/N 85171
1.8 Cu. Yd.(62520) - 2.0 Cu. Yd. (62521)

PARTS LIST

ITEM	PART NUMBER		QTY.	DESCRIPTION
1	62740	00115-156-08	1	Weld, 1.8 Hopper
	62741	00115-156-10	1	Weld, 2.0 Hopper
2	61178	04132-074-00	1	Gearbox, Assembly
3	62615	04003-033-04	1	Bolt, 3/8-16 x 1-1/4 Car. GR. 5 ZP
4	62742	00115-167-01	1	Guard, Conveyor
5	61201	04009-001-01	1	Key, 1/4" X 7/8" Woodruff
6	61158	04043-013-00	1	Weld, Drag Chain, 7 Ft.
	62129	04043-016-00	1	Weld, Drag Chain, 8 Ft.
7	62617	04003-005-14	4	Bolt, 1/2-13 x 3/4 HH GR5 ZP
8	20329	04004-001-09	4	Lockwasher, 1/2" Med Split ZP
9	20066	04033-003-04	4	Bolt, 3/8-16 x 1-1/4 HH GR5 ZP
10	20327	04004-001-07	4	Lockwasher, 3/8" Med Split ZP
11	62743	04003-806-12	8	Nut, 3/8-16 Serrated Flange SS
12	61165	04080-053-00	2	Bearing, 2 Bolt Flange
13	22418	04003-002-04	2	Bolt, 5/16-18 x 1 HH GR5 ZP
14	22419	04003-002-02	4	Bolt, 5/16-18 x 3/4 HH GR5 ZP
15	62641	04003-806-13	16	Nut, 5/16-18 Serrated Flange SS
16	61170	00101-326-00	2	Plate, Front Bearing
17	62644	04003-034-01	8	Bolt, 1/2-13 x 1 Car Sht NK
18	62570	04003-806-03	8	Nut, 1/2-13 Hex ZP
19	61172	00101-325-00	1	Weld, Idler Shaft
20	61171	06022-001-00	1	Sprocket, Drag Chain
21	61169	04624-001-01	1	Knob, Hand
22	62281	00110-819-00	1	Weld, Feedgate
23	60324	04101-035-00	1	Motor, Hydraulic
N/S	62118	04101-102-02	1	Flange Mounting (4Bolt)(Char-Lynn)
N/S	62406	04101-102-09	1	Seal Kit (Char-Lynn)
N/S	62359	04101-035-98	1	Seal Kit (White)
24	62201	06011-000-00	1	Plate, Motor Mtg.
25	62202	04008-001-00	4	Bushing, 3/8" I.D. x 5/8" O.D.
26	20049	04003-003-03	8	Bolt, 3/8-16 x 1 HH GR5 ZP
27	20353	04004-002-08	15	Flatwasher, 3/8" U.S.S. ZP
28	62073	00105-302-00	1	Coupling, Shaft
29	62326	00106-366-00	2	Setscrew 1/2" x 6"
30	62408	04003-802-05	4	Nut, 1/2-13 Hex Jam ZP
31	62745	04007-005-04	2	Setscrew, 1/4-20 x 3/8" Al. HD
32	62320	00115-173-01	2	Shield, Rep. Chain 7 Ft.
	62310	00115-139-01	2	Shield, Rep. Chain 8 Ft.
33	62280	00110-817-00	1	Handle
34	20354	04004-002-09	2	Flatwasher, 7/16" U.S.S. ZP
35	20384	04010-003-02	2	Pin, 1/8" x 1" Cotter
36	62746	04003-033-12	3	Bolt, 3/8-16 x 3/4 Car GR5 SS
37	20305	04003-804-02	5	Locknut, 3/8-13 Nylon Insert ZP
38	62270	00101-636-00	1	Bar, Pivot
39	61173	04043-017-00	-	Drag Chain w/Links
40	62002	04045-023-00	-	Connecting Link Only
41	61174	04045-021-00	2	Pin, Master for Chain w/o Cotter
	62755	04045-025-00	2	Pin, Cotter Only

HYDRAULIC DRIVEN HOPPER SPREADER



PARTS LIST FOR HYDRAULIC DRIVEN HOPPER ASSEMBLIES

(Carbon Steel)

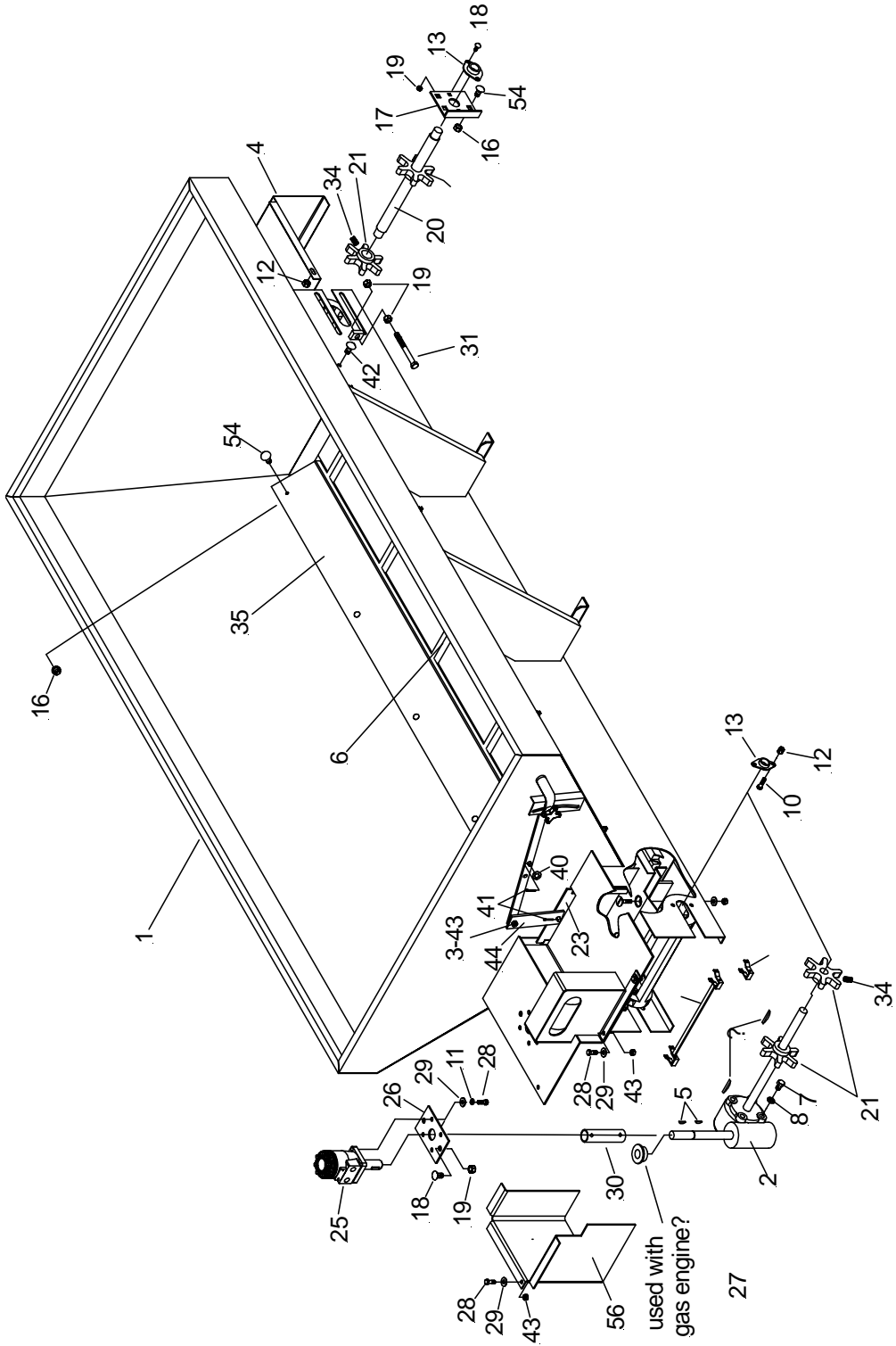
1.8 Cu. Yd.(62520) - 2.0 Cu. Yd. (62521)

Continued

PARTS LIST

ITEM	PART NUMBER		QTY.	DESCRIPTION
42	62497	04049-002-00	3	Decal, Meyer
43	62571	04049-165-00	1	Decal, Serial (w/Pat. Nos.)
44	62009	04049-182-00	2	Decal, Danger (Conveyor)
45	62572	04049-195-00	1	Decal, Motor
46	62318	00115-172-01	1	Floor, Forming 7 Ft.
	62292	00115-109-01	1	Floor, Forming 8 Ft.
47	62747	04003-018-04	4	Screw, 3/8-16 x 1 3/16 St. Fl. HD
48	62640	04003-032-06	8	Bolt, 5/16-18 x 3/4 Car GR5 SS
49	62314	00115-154-01	1	Guard, Shaft
	62364	04605-155-00	1	Cable, Light Power
50	62283	00111-339-00	1	Weld, Stop Lamp Bracket
	62714	04605-153-00	1	Lamp, Stop (Ctr Hgh Mt)
	62715	04605-154-00	1	Grommet, Mtg
51	62284	00102-347-00	2	Sprocket, Drive (w/set screws)
52	62000	04031-010-00	2	Key, 1/4" Square x 2"
53	61163	04080-005-00	1	Bearing, Drive
54	62354	04076-100-00	1	Wiper, Chain

HYDRAULIC DRIVEN HOPPER SPREADER



PARTS LIST FOR HYDRAULIC DRIVEN HOPPER ASSEMBLIES

(Stainless Steel) After 11-1998 S/N 85171
1.8 Cu. Yd.(62522) - 2.0 Cu. Yd. (62523)

PARTS LIST

ITEM	PART NUMBER		QTY.	DESCRIPTION
1	62748	00115-156-09	1	Weld, 1.8 Hopper, S3
	62749	00115-156-11	1	Weld, 2.0 Hopper, S3
2	61178	04132-074-00	1	Gearbox, Assembly
3	62777	04003-033-05	1	Bolt, 3/8-16 x 1 1/4 Car SS
4	62317	00115-167-02	1	Guard, Conveyor, S3
5	61201	04009-001-01	1	Key, 1/4" X 7/8" Woodruff
6	61158	04043-013-00	1	Weld, Drag Chain, 7 Ft.
	62129	04043-016-00	1	Weld, Drag Chain, 8 Ft.
7	62750	04003-005-56	4	Bolt, 1/2-13 x 3/4 HH SS
8	22380	04004-001-16	4	Lockwasher, 1/2" Med Split SS
9	62695	04003-003-26	4	Bolt, 3/8-16 x 1-1/4 HH SS
10	22379	04004-001-14	4	Lockwasher, 3/8" Med Split SS
11	62743	04003-806-12	8	Nut, 3/8-16 Serrated Flange SS
12	61165	04080-053-00	2	Bearing, 2 Bolt Flange
13	62751	04003-002-24	2	Bolt, 5/16-18 x 1 HH SS
14	62752	04003-002-23	4	Bolt, 5/16-18 x 3/4 HH SS
15	62641	04003-806-13	16	Nut, 5/16-18 Serrated Flange SS
16	62268	00101-326-01	2	Plate, Front Bearing, S3
17	62753	04003-034-14	8	Bolt, 1/2-13 x 1 Car Sht NK, SS
18	62754	04003-806-16	8	Nut, 1/2-13 Serrated Flange SS
19	61172	00101-325-00	1	Weld, Idler Shaft
20	61171	06022-001-00	1	Sprocket, Drag Chain
21	61169	04624-001-01	1	Knob, Hand
22	62282	00110-819-01	1	Weld, Feedgate, S3
23	62398	04101-035-00	1	Motor, Hydraulic
N/S	62118	04101-102-02	1	Flange Mounting (4Bolt)(Char-Lynn)
N/S	62406	04101-102-09	1	Seal Kit (Char-Lynn)
N/S	62359	04101-035-98	1	Seal Kit (White)
24	62368	06011-000-01	1	Plate, Motor Mtg., S3
25	62339	04008-007-00	4	Bushing, 3/8" I.D. x 5/8" O.D., SS
26	62697	04003-003-20	8	Bolt, 3/8-16 x 1 HH SS
27	22230	04004-002-20	15	Flatwasher, 3/8" U.S.S. SS
28	62073	00105-302-00	1	Coupling, Shaft
29	62326	00106-366-00	2	Setscrew 1/2" x 6"
30	62336	04003-802-09	4	Nut, 1/2-13 Hex Jam SS
31	62745	04007-005-04	2	Setscrew, 1/4-20 x 3/8" Al. HD
32	62321	00115-173-02	2	Shield, Rep. Chain 7 Ft., S3
	62311	00115-139-02	2	Shield, Rep. Chain 8 Ft., S3
33	62280	00110-817-00	1	Handle
34	62808	04004-002-32	2	Flatwasher, 7/16" U.S.S. SS
35	20384	04010-003-02	2	Pin, 1/8" x 1" Cotter
36	62746	04003-033-12	3	Bolt, 3/8-16 x 3/4 Car GR5 SS
37	62638	04003-804-08	5	Locknut, 3/8-16 Nylon Insert SS
38	62270	00101-636-00	1	Bar, Pivot
39	61173	04043-017-00	-	Drag Chain w/Links
40	62002	04045-023-00	-	Connecting Link Only
41	61174	04045-021-00	2	Pin, Master for Chain w/o Cotter
		04045-025-00	2	Pin, Cotter Only

PARTS LIST FOR HYDRAULIC DRIVEN HOPPER ASSEMBLIES

(Stainless Steel)

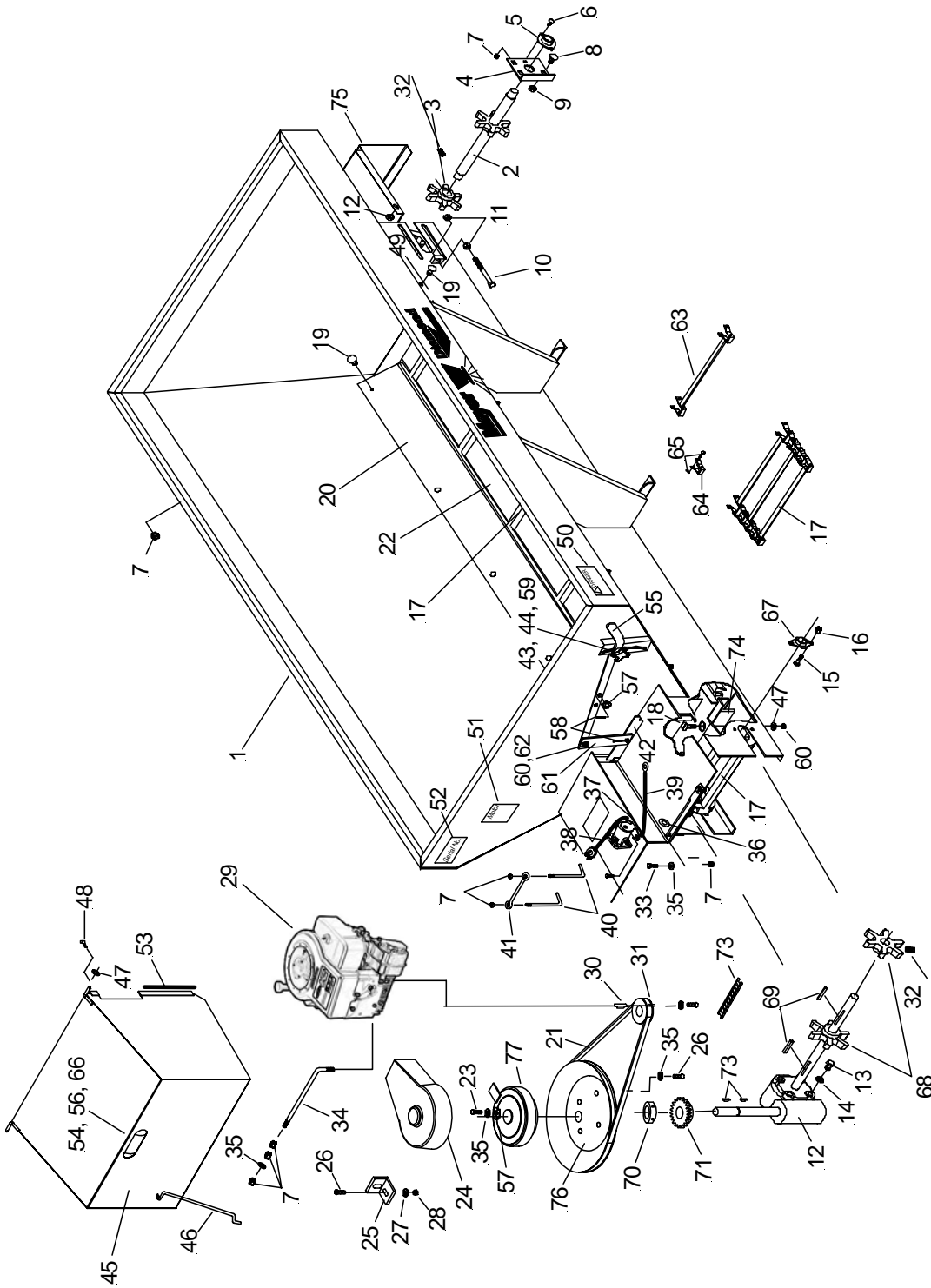
1.8 Cu. Yd.(62522) - 2.0 Cu. Yd. (62523)

Continued

PARTS LIST

ITEM	PART NUMBER		QTY.	DESCRIPTION
42	62497	04049-002-00	3	Decal, Meyer
43	62571	04049-165-00	1	Decal, Serial (w/Pat. Nos.)
44	62009	04049-182-00	2	Decal, Danger (Conveyor)
45	62572	04049-195-00	1	Decal, Motor
46	62319	00115-172-02	1	Floor, Forming 7 Ft., S3
	62293	00115-109-02	1	Floor, Forming 8 Ft., S3
47	62771	04003-018-05	4	Screw, 3/8-16 x 1 -1/4" Slit Fl HD SS
48	62640	04003-032-06	8	Bolt, 5/16-18 x 3/4 Car SS
49	62315	00115-154-02	1	Guard, Shaft, S3
	62364	04605-155-00	1	Cable, Light Power
50	62283	00111-339-00	1	Weld, Stop Lamp Bracket
	62714	04605-153-00	1	Lamp, Stop (Ctr Hgh Mtg)
	62715	04605-154-00	1	Grommet, Mtg.
51	62284	00102-347-00	2	Sprocket, Drive (w/set screws)
52	62000	04031-010-00	2	Key, 1/4" Square x 2"
53	61163	04080-005-00	1	Bearing, Drive
54	62354	04076-100-00	1	Wiper, Chain SS

ENGINE DRIVEN HOPPER SPREADER



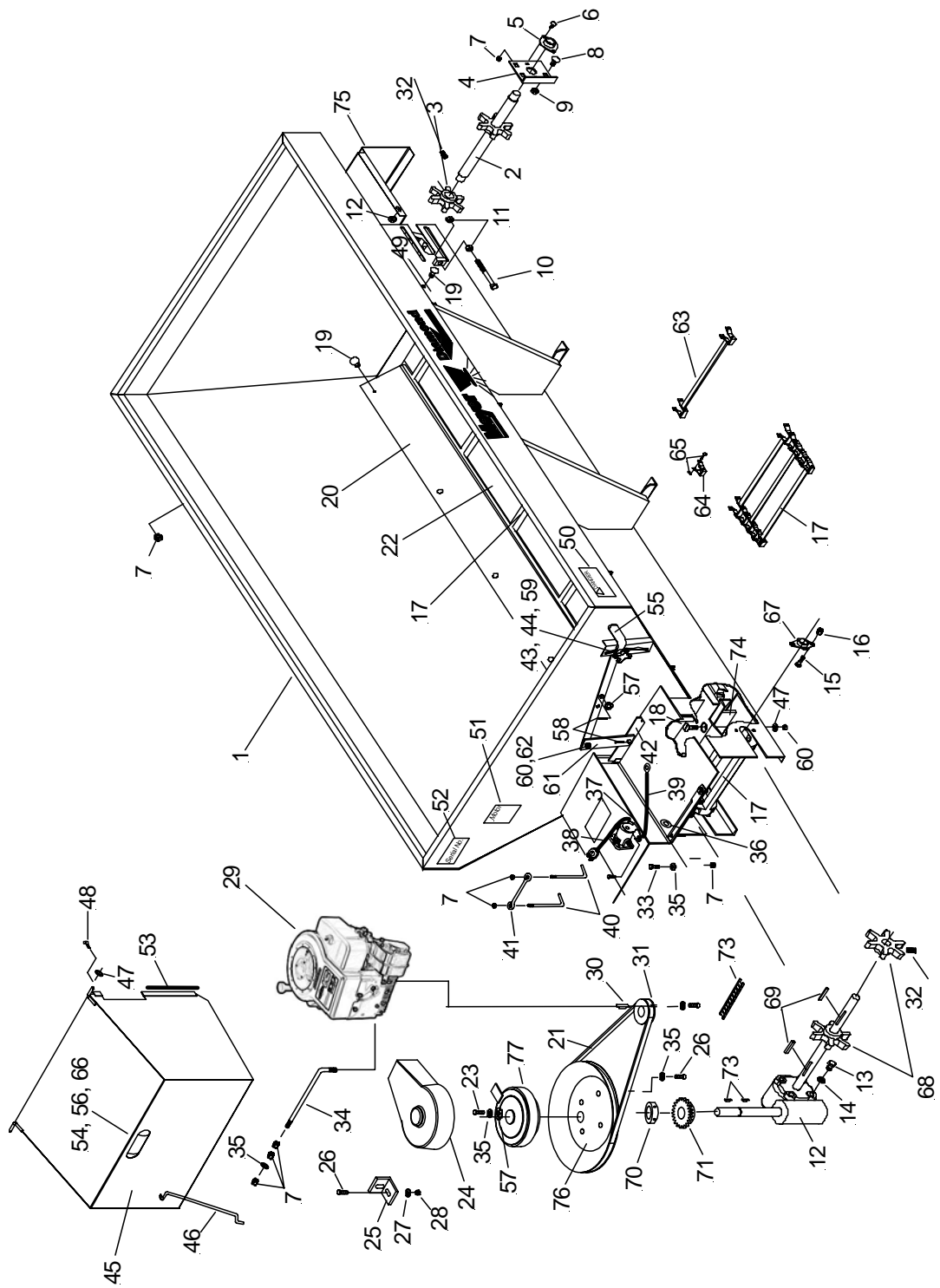
PARTS LIST FOR ENGINE DRIVEN HOPPER ASSEMBLIES

(Carbon Steel) After 11-1998 S/N 85171
1.8 Cu. Yd. (62209) - 2.0 Cu. Yd. (62517)

PARTS LIST

ITEM	PART NUMBER		QTY.	DESCRIPTION
1	62740	00115-156-08	1	Weld, 1.8 Hopper
	62741	00115-156-10	1	Weld, 2.0 Hopper
2	61172	00101-325-00	1	Weld, Idler Shaft
3	61171	06022-001-00	2	Sprocket, Drag Chain
	62747	04007-005-04	1	•Setscrew 1/4-20x3/8" ALHD
4	61170	00101-326-00	2	Plate, Front Bearing
5	61165	04080-053-00	2	Bearing, 2 Bolt Flange
6	20599	04003-032-05	4	Bolt, 5/16-18 x 3/4 Car GR5 ZP
7	62641	04003-806-13	26	Nut, 5/16-18 Serrated Flange SS
8	62744	04003-034-01	6	Bolt, 1/2-13 x 1 Car Sht NK
9	62570	04003-806-03	6	Nut, 1/2-13 Serrated Flange ZP
10	62326	00106-366-00	2	Setscrew, 1/2' x 6"
11	62408	04003-802-05	4	Nut, 1/2-13 Hex Jam ZP
12	61178	04132-074-00	1	Assy, Gearbox
13	62617	04003-005-14	4	Bolt, 1/2-13 x 3/4 HH GR5 ZP
14	20329	04004-001-09	4	Lockwasher, 1/2" Med Split ZP
15	20066	04003-003-04	4	Bolt, 3/8-16 x 1-1/4" HH GR5 ZP
16	62743	04003-806-12	6	Nut, 3/8-16 Serrated Flange SS
17	61158	04043-013-00	1	Weld, Drag Chain, 7 Ft.
	62129	04043-016-00	1	Weld, Drag Chain, 8 Ft.
18	62771	04003-018-04	4	Screw, 3/8-16 x 1 -1/4 Slit Fl HD
19	62640	04003-032-06	14	Bolt, 5/16-18 x 3/4 Car SS
20	62320	00115-173-01	2	Shield, Rep. Chain 7 Ft.
	62310	00115-139-01	2	Shield, Rep. Chain 8 Ft.
21	61162	04071-016-00	1	V-Belt
22	62318	00115-172-01	1	Floor, Forming, 7 Ft. (1.8)
	62292	00115-109-01	1	Floor, Forming, 8 Ft. (2.0)
	62555	00115-655-00	1	Assy., Control Cable, Briggs & Stratton(E.T.) Pg.33
	62701	00115-717-00	1	Assy., Control Cable, Honda(Electric Throttle) Pg.32
	61188	04143-024-00	1	Cable, Throttle Control Manual - Pg.6-7
	62763	04003-002-02	1	Bolt, 5/16-18 x 2 HH GR5 ZP
23	62763	04003-002-02	1	Bolt, 5/16-18 x 2 HH GR5 ZP
24	61168	04622-008-00	1	Cover, Clutch
25	61176	00104-822-00	1	Retainer, Clutch
26	20005	04003-001-05	4	Bolt, 1/4-20 x 1 HH GR5 ZP
27	20305	04004-001-05	4	Lockwasher, 1/4" Med Split ZP
28	62187	04003-806-05	4	Nut, 1/4-20 Serrated Flange ZP
29	62208	04145-063-00	1	Engine, 10 1/2 HP I/C Briggs & Stratton
	62361	04145-064-00	1	Engine, 11 HP Honda
30	61196	04031-007-00	1	Key, 1/4" Sq x 1"
31	61177	04070-021-00	1	Pulley, Driver
32	62745	04007-005-04	2	Setscrew, 1/4-20 x 3/8" Al. HD
33	62764	04003-002-06	3	Bolt, 5/16-18 x 1 1/2 HH GR5 ZP
34	61205	04048-518-01	1	Bolt, "L"
35	20352	04004-002-07	5	Flatwasher, 5/16" U.S.S. ZP
36	62765	04093-022-00	1	Grommet, CA Plug Type (1-1/4")
37	61179	04146-005-00	1	Solenoid, Grounded (Briggs & Stratton Only)
N/S	62046	04638-039-04	2	Terminal, Insulated Ring
N/S	62188	04638-043-02	1	Connector 16-14 Insulated Butt
N/S	62545	00115-663-00	1	Carton, Shipping, Briggs & Stratton
	62766	00115-664-00	1	Carton, Shipping, Honda
N/S	62483	00001-774-00	A/R	Safety Decal Package

ENGINE DRIVEN HOPPER SPREADER



PARTS LIST FOR ENGINE DRIVEN

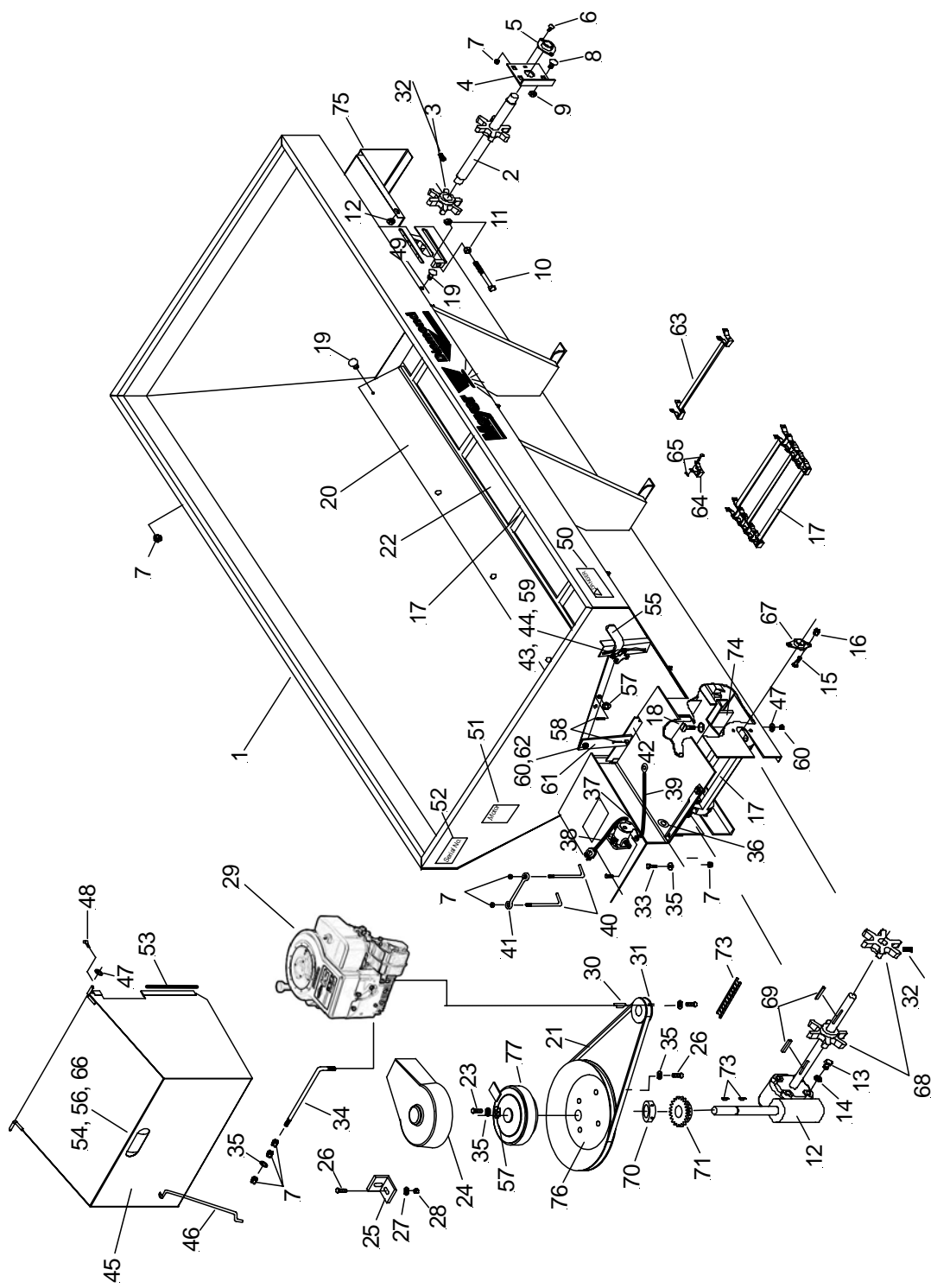
(Carbon Steel)

1.8 Cu. Yd. (62209) - 2.0 Cu. Yd. (62517) **Continued**

PARTS LIST

ITEM	PART NUMBER		QTY.	DESCRIPTION
38	62040	04604-004-00	2	Cable, Battery Pg. 7
39	61213	04616-067-02	1	Cable, Starter Pg. 7
40	61206	00104-802-00	2	Rod, Battery
41	62767	04604-017-00	1	Hold Down
42	62281	00110-819-00	1	Weld, Feedgate
43	61169	04624-001-01	1	Knob, Hand
44	20355	04004-002-10	1	Flatwasher, 1/2" U.S.S. ZP
45	62726	00117-073-01	1	Weld, Shroud (Briggs & Stratton)
	62332	00117-074-01	1	Weld, Shroud (Honda)
46	61215	00112-734-00	1	Rod, Prop
47	20353	04004-002-08	7	Flatwasher, 3/8" U.S.S. ZP
48	62691	04010-016-01	2	Pin, 3/32" x 1" Cotter
49	62497	04049-002-00	3	Decal, Meyer
50	62009	04049-182-00	2	Decal, Danger (Conveyor)
51	62768	04049-199-00	1	Decal, Gasoline Only
52	62571	04049-165-00	1	Decal, Serial (w/Pat. Nos.)
N/S	62652	04607-027-00	1	Clamp, Cushioned 1/2"
53	62656	04093-021-00	2 ft.	Trim, Vinyl
54	62364	04605-155-00	1	Cable, Light Power
55	62280	00110-817-00	1	Handle
56	62715	04605-154-00	1	Grommet, Mounting
57	20354	04004-002-32	4	Flatwasher, 7/16" U.S.S. ZP
58	20384	04010-003-02	2	Pin, 1/8" x 1" Cotter
59	62615	04003-033-02	1	Bolt, 3/8-16 x 1 Car GR5 ZP
60	20305	04003-804-02	1	Locknut, 3/8-16 Nylon Insert ZP
N/S	20048	04003-003-02	4	Bolt, 3/8-16 x 7/8 HH GR5 ZP
61	62270	00101-636-00	1	Bar, Pivot
N/S	62633	04120-078-01	1	Hose, 3/8" x 13" (1) Wire (Briggs & Stratton)
	62706	04120-108-01	1	Hose, Drain (Honda)
N/S	62632	04110-006-03	1	Elbow 3/8" 90 Deg Street (Briggs & Stratton)
	62707	04121-057-01	1	Bolt, Banjo (Honda)
62	62615	04003-033-04	1	Bolt, 3/8-16 x 1 1/4 Car GR5 ZP
63	61173	04043-017-00	1	Drag chain w/Links
64	62002	04045-023-00	1	Connecting Link Only
65	61174	04045-021-00	2	Pin, Master for Chain w/o Cotter
	62755	04045-025-00	2	Pin, Cotter Only
	62105	04067-032-00	1	Boot, Battery Cable, Straight Pg. 7
	62106	04067-033-00	1	Boot, Alternator Cable Pg. 7
66	62714	04605-153-00	1	Lamp, Stop (Center High Mount)
67	61163	04080-005-00	1	Bearing, Drive
68	62284	00102-347-00	2	Sprocket, Drive (w/set screws)
69	62000	04031-010-00	2	Key 1/4" x Square x 2"
70	62769	04001-001-01	1	Collar, Set
71	61156	04041-085-00	1	Sprocket 41 B13
72	62547	04046-016-04	1	Chain Roller No. 41 (Old Style Hopper use 61160)
73	61201	04009-001-01	2	Key 1/4" x 7/8" Woodruff
74	62354	04076-100-00	1	Wiper, Chain
75	62317	00115-167-01	1	Cover, Conveyor
76	61161	04070-020-00	1	Pulley, Driven
77	61167	04138-017-00	1	Clutch, Electric
N/S	62705	04121-056-01	1	Plug (Honda) 37 Degree
N/S	62704	04121-058-01	1	Washer (Honda)
N/S	62725	04607-028-00	1	Clamp, Prop Rod
N/S	62695	04003-003-26	2	Bolt 3/8-16 x 1-1/4" HH,SS
N/S	62638	04003-804-08	2	Locknut, 3/8-16 Nylon Insert, SS

ENGINE DRIVEN HOPPER SPREADER



PARTS LIST FOR ENGINE DRIVEN HOPPER ASSEMBLIES

(Stainless Steel) After 11-1998 S/N 85731
1.8 Cu. Yd.(62516) - 2.0 Cu. Yd. (62518)

PARTS LIST

ITEM	PART NUMBER		QTY.	DESCRIPTION
1	62748	00115-156-09	1	Weld, 1.8 Hopper, S3
	62749	00115-156-11	1	Weld, 2.0 Hopper, S3
2	61172	00101-325-00	1	Weld, Idler Shaft
3	61171	06022-001-00	1	Sprocket, Drag Chain
4	61170	00101-326-00	2	Plate, Front Bearing, S3
5	61165	04080-053-00	2	Bearing, 2 Bolt Flange
6	62640	04003-032-06	4	Bolt, 5/16-18 x 3/4" Car SS
7	62641	04003-806-13	26	Nut, 5/16-18 Serrated Flange SS
8	62744	04003-034-14	6	Bolt, 1/2-13 x 1 Car Sht NK SS
9	62754	04003-806-16	6	Nut, 1/2-13 Serrated Flange SS
10	62326	00106-366-00	2	Setscrew, 1/2" x 6"
11	62336	04003-802-09	4	Nut, 1/2-13 Hex Jam SS
12	61178	04132-074-00	1	Assy, Gearbox
13	62750	04003-005-56	4	Bolt, 1/2-13 x 3/4" HH SS
14	62770	04004-001-16	4	Lockwasher, 1/2" Med Split SS
15	62695	04003-003-26	4	Bolt, 3/8-16 x 1-1/4" HH GR5 SS
16	62743	04003-806-12	4	Nut, 3/8-16 Serrated Flange SS
17	61158	04043-013-00	1	Weld, Drag Chain, 7 Ft.
	62129	04043-016-00	1	Weld, Drag Chain, 8 Ft.
18	62771	04003-018-05	4	Screw, 3/8-16 x 1-1/4" Slit FI HD ss
19	62640	04003-032-06	14	Bolt, 5/16-18 x 3/4" Car SS
20	62321	00115-173-02	2	Shield, Rep. Chain 7 Ft., S3
	62311	00115-139-02	2	Shield, Rep. Chain 8 Ft., S3
21	61162	04071-016-00	1	V-Belt
22	62319	00115-172-02	1	Floor, Forming, 7 Ft., S3 (1.8)
	62293	00115-109-02	1	Floor, Forming, 8 Ft., S3 (2.0)
	62555	00115-655-00	1	Assy., Control Cable, Briggs & Stratton(E.T.) Pg. 33
	62701	00115-717-00	1	Assy., Control Cable, Honda(Electric Throttle) Pg. 32
	61188	04143-024-00	1	Cable, Throttle Control (Manual) Pg. 6-7
23	62750	04003-002-23	1	Bolt, 5/16-18 x 3/4" HH SS
24	61168	04622-008-00	1	Cover, Clutch
25	61176	00104-822-00	1	Retainer, Clutch
26	62772	04003-001-16	4	Bolt, 1/4-20 x 1 HH SS
27	62810	04004-001-19	4	Lockwasher, 1/4" Med Split SS
28	62690	04003-806-15	5	Nut, 1/4-20 Serrated Flange SS
29	62208	04145-063-00	1	Engine, 10 1/2 HP I/C Briggs & Stratton
	62361	04145-064-00	1	Engine, 11 HP Honda
30	61196	04031-007-00	1	Key, 1/4" Sq x 1"
31	61171	04070-021-00	1	Pulley, Driver
32	62745	04007-005-04	2	Setscrew, 1/4-20 x 3/8" Al. HD
33	62773	04003-002-21	3	Bolt, 5/16-18 x 1-1/2 HH SS
34	61205	04048-518-01	1	Bolt, "L"
35	20352	04004-002-25	5	Flatwasher, 5/16" U.S.S. SS
36	62765	04093-022-00	1	Grommet, CA Plug Type (1 1/4")
37	61179	04146-005-00	1	Solenoid, Grounded (Briggs & Stratton Only)
N/S	62046	04638-039-04	2	Terminal, Insulated Ring
N/S	62188	04638-043-02	1	Connector 16-14 Insulated Butt
N/S	62545	00115-663-00	1	Carton, Shipping, Briggs & Stratton
	62766	00115-664-00	1	Carton, Shipping, Honda
N/S	62483	00001-774-00	A/R	Safety Decal Package

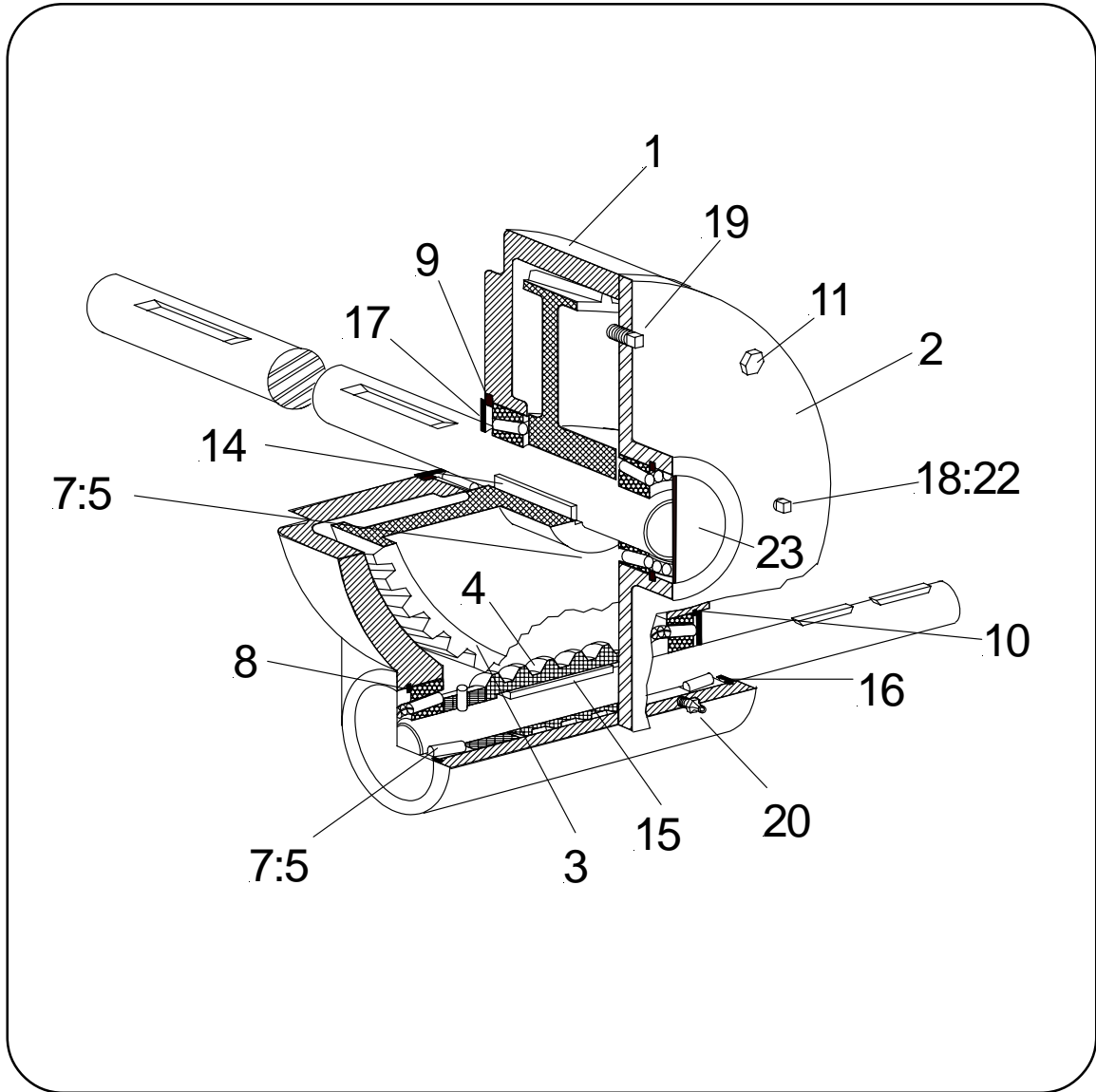
PARTS LIST FOR ENGINE DRIVEN

(Stainless Steel)

1.8 Cu. Yd.(62516) - 2.0 Cu. Yd. (62518) **Continued**

PARTS LIST

ITEM	PART NUMBER		QTY.	DESCRIPTION
38	62040	04604-004-00	2	Cable, Battery Pg. 7
39	61213	04616-067-02	1	Cable, Starter Pg. 7
40	61206	00104-802-00	2	Rod, Battery
41	62767	04604-017-00	1	Hold Down
42	62282	00110-819-01	1	Weld, Feedgate, S3
43	61169	04624-001-01	1	Knob, Hand
44	22351	04004-002-22	1	Flatwasher, 1/2" U.S.S. SS
45	62774	00117-073-02	1	Weld, Shroud (Briggs & Stratton)
	62775	00117-074-02	1	Weld, Shroud (Honda)
46	61215	00112-734-00	1	Rod, Prop
47	22230	04004-002-20	2	Flatwasher, 3/8" U.S.S. SS
48	20384	07010-016-01	2	Pin, 1/8" x 1" Cotter
49	62497	04049-002-00	3	Decal, Meyer
50	62009	04049-182-00	2	Decal, Danger (Conveyor)
51	62768	04049-199-00	1	Decal, Gasoline Only
52	62571	04049-165-00	1`	Decal, Serial (w/Pat. Nos.)
N/S	62652	04607-027-00	1	Clamp, Cushioned 1/2"
53	62656	04093-021-00	2 ft.	Trim, Vinyl
54	62364	04605-155-00	1	Cable, Light Power
55	62280	00110-817-00	1	Handle
56	62715	04605-154-00	1	Grommet, Mounting
57	62811	04004-002-32	4	Flatwasher, 7/16" U.S.S. SS
58	20384	04010-003-02	2	Pin, 1/8" x 1" Cotter
59	62776	04003-033-03	1	Bolt, 3/8-16 x 1 Car SS
60	62638	04003-804-08	1	Locknut, 3/8-16 Nylon Insert SS
N/S	62812	04003-003-27	4	Bolt, 3/8-16 x 7/8 HH SS
61	62270	00101-636-00	1	Bar, Pivot
N/S	62633	04120-078-01	1	Hose, 3/8" x 13" (1) Wire (Briggs & Stratton)
	62706	04120-108-01	1	Hose, Drain (Honda)
N/S	62632	04110-006-03	1	Elbow 3/8" 90 Deg Street (Briggs & Stratton)
	62607	04121-057-01	1	Bolt, Banjo (Honda)
62	62813	04003-033-05	1	Bolt, 3/8-16 x 1 1/4 Car SS
63	61173	04043-017-00	1	Drag Chain w/Links
64	62002	04045-023-00	1	Connecting Link Only
65	61174	04045-021-00	2	Pin, Master for Chain w/o Cotter
	62755	04045-025-00	2	Pin, Cotter Only
	62105	04067-032-00	1	Boot, Battery Cable, Straight Pg. 7
	62106	04067-033-00	1	Boot, Alternator Cable Pg. 7
66	62714	04605-153-00	1	Lamp, Stop (Center High Mount)
67	61163	04080-005-00	1	Bearing, Drive
68	62284	00102-347-00	2	Sprocket, Drive (w/set screws)
69	62000	04031-010-00	2	Key 1/4" x Square 2"
70	62769	04001-001-01	1	Collar, Set
71	61156	04041-085-00	1	Sprocket 41 B13
72	62547	04046-016-04	1	Chain roller No. 41 (Old Style Hopper use 61160)
73	61201	04009-001-01	2	Key 1/4" x 7/8" Woodruff
74	62354	04076-100-00	1	Wiper, Chain
75	62317	00115-167-02	1	Cover, Conveyor S3
76	61161	04070-020-00	1	Pulley, Driven
77	61167	04138-017-00	1	Clutch
N/S	62705	04121-056-01	1	Plug (Honda)
N/S	62704	04121-058-01	1	Washer (Honda)
N/S	62725	04607-028-00	1	Clamp, Prop Rod
N/S	62695	04003-003-26	2	Bolt 3/8-16 x 1-1/4" HH,SS
N/S	62638	04003-804-08	2	Locknut, 3/8-16 Nylon Insert, SS



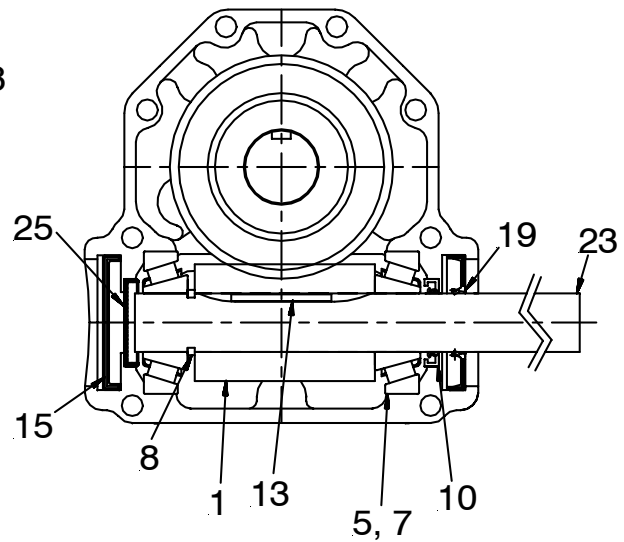
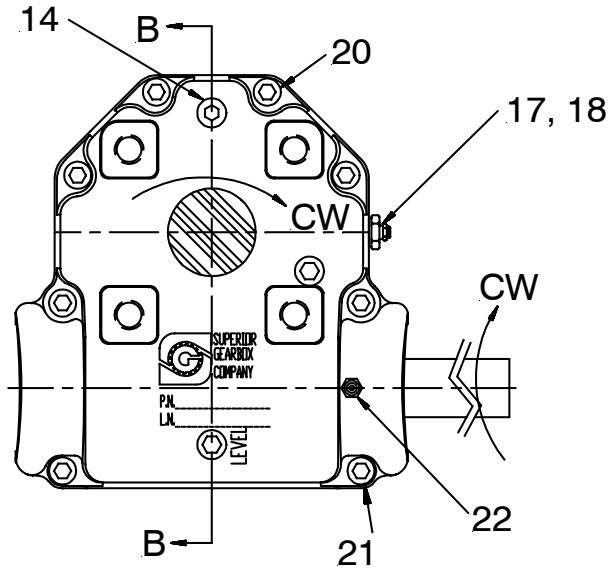
DURST GEAR BOX ASSEMBLY (61178)

PARTS LIST FOR DURST GEAR BOX ASSEMBLY (61178)

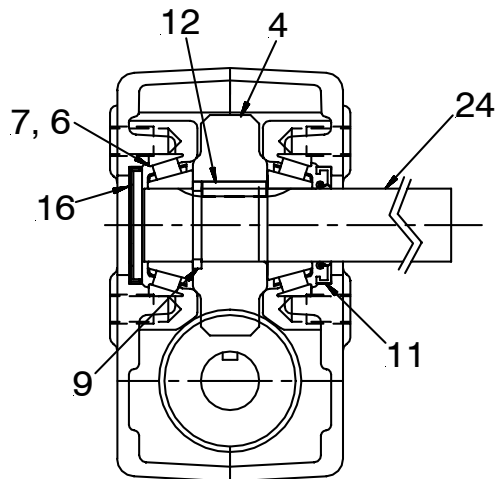
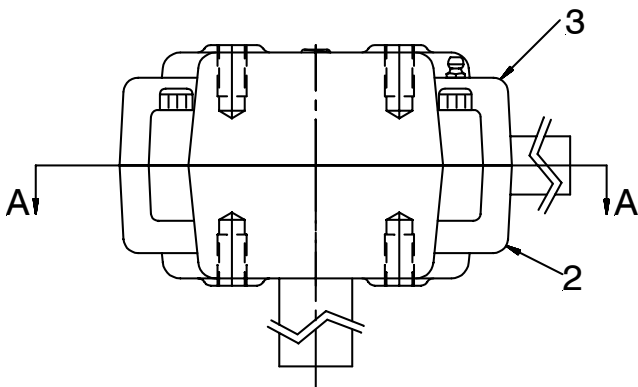
PARTS LIST

ITEM	PART NO.		QTY.	DESCRIPTION
1	62033	04132-074-01	1	Housing
2	62034	04132-074-02	1	Cover
3	62035	04132-074-03	1	Worm Gear - Bronze
4	62036	04132-074-04	1	Worm
5	62025	04132-061-05	2	Bearing Cone
6	62022	04132-004-17	2	Bearing Cone
7	62019	04132-004-02	4	Bearing Cup
8	62026	04132-061-08	1	Snap Ring Input
9	62027	04132-061-09	1	Snap Ring Output
10	62020	04132-004-04	4	Snap Ring
11	62028	04132-061-11	4	Capscrew, 3/8" x 3/4" H.H.
12	62037	04132-074-12	1	Shaft-Input
13	62032	04132-065-13	1	Shaft-Output
14	62029	04132-061-14	1	Woodruff Key - Hard
15	62024	04009-002-01	1	Woodruff Key - Hard
16	61166	04132-004-18	1	Seal Input
17	62030	04132-061-17	1	Seal Output
18	62016	04110-021-01	1	Plug, 1/8" - 27 NPTF
19	62017	04110-021-03	1	Plug, Level, 3/8" - 18 NPTF
20	61236	04015-005-00	1	Zerk, 1/4" - 28 NF
21	62031	04132-061-20	1	Gasket, Cover (Not Shown)
22	62023	04132-013-14	1	Plug, Vent, 1/8" - 27 NPTF
23	62018	04132-003-09	2	Cap
24	62021	04132-004-05	A/R	Shim (Not Shown)

SUPERIOR GEARBOX ASSEMBLY



Section A-A



Section B-B

Notes:

1. Gear Ratio is: 20:1
2. Torque 3/8-16 Capscrews (20, 21) to 35-40 ft. lbs.

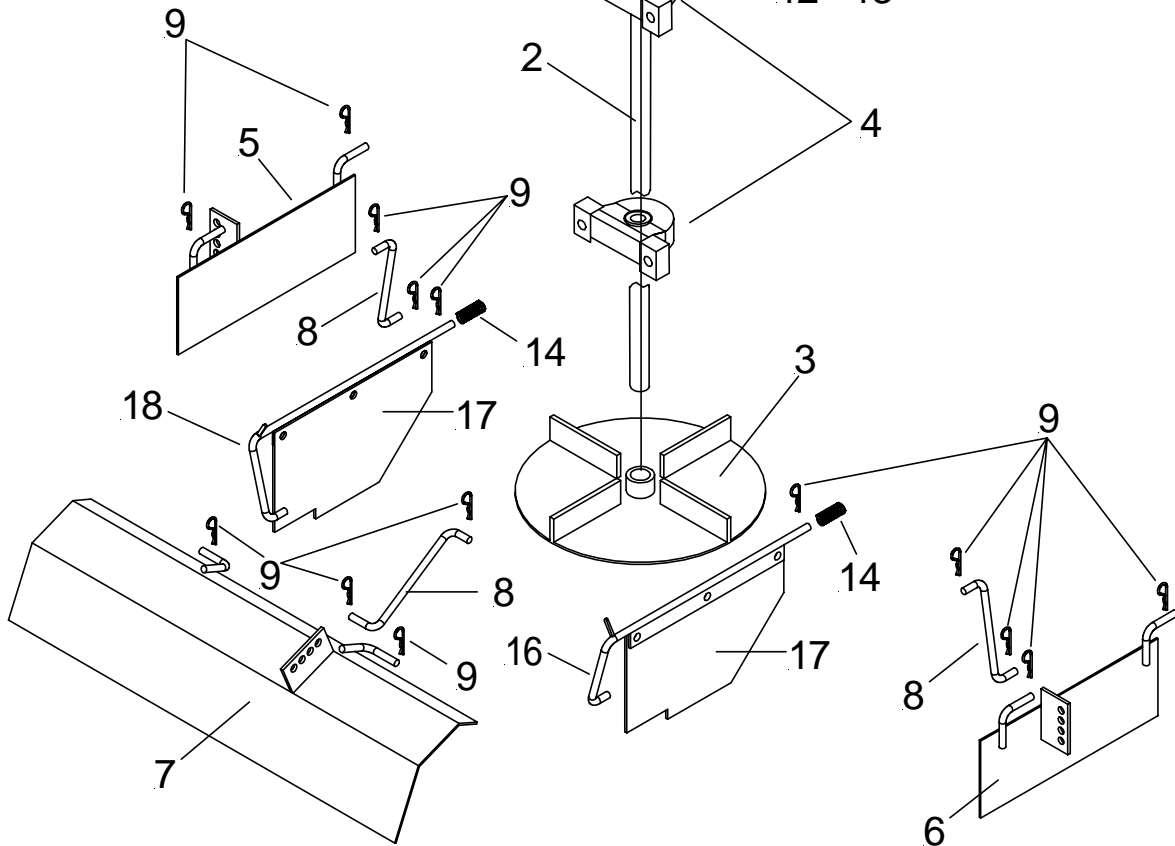
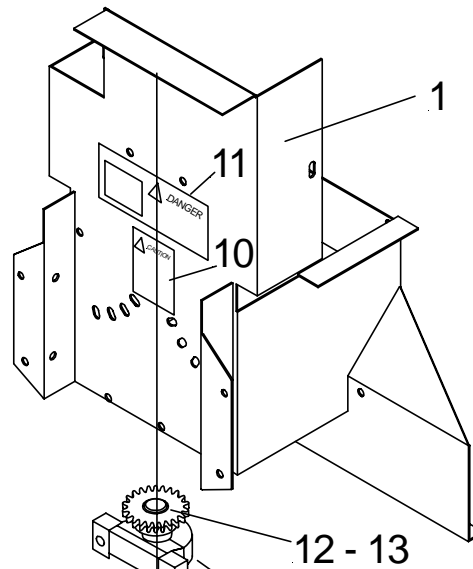
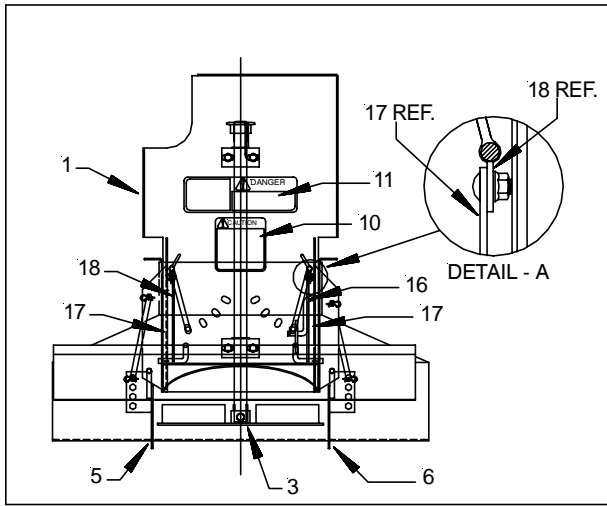
PARTS LIST FOR SUPERIOR GEARBOX ASSEMBLY

62902 (04132-117-00)

After 11/4/02

ITEM	PART NUMBER		QTY.	DESCRIPTION
1	62903	04132-113-01	1	Gear, Worm, LH 20:1
2	62904	04132-113-02	1	Casting, Machined
3	62905	04132-113-03	1	Casting, Machined Thru
4	62906	04132-113-04	1	Gear, Worm 20:1 LH 1/4 Keyway
5	62907	04132-113-05	2	Bearing, Cone TMKN # 15101
6	62908	04132-113-06	2	Bearing, Cone TMKN # 15126
7	62909	04132-113-07	4	Bearing, Cup TMKN # 15245
8	62910	04132-113-08	1	Retaining Ring, Ext. 1.000 Shaft
9	62911	04132-113-09	1	Retaining Ring, Ext 1.250 Shaft
10	62912	04132-113-10	1	Seal, 1.000
11	62913	04132-113-11	1	Seal, 1.250
12	62914	04132-113-12	1	Key, 1/4 x 1/4, 1.080
13	62915	04132-113-13	1	Key, 1/4 x 1/4, 1.580
14	62916	04132-113-14	4	Plug, 1/4-18 NPT SCHD W/3M
15	62917	04132-113-15	1	End Cap, CP-2.312
16	62918	04132-113-16	1	End Cap, CP-2.000
17	62919	04132-113-17	1	Bushing, 1/4 NPT x 1/8 NPT
18	62920	04132-113-18	1	Plug, Vent 5 PSI
19	62921	04132-113-19	1	Seal, 1.000
20	62922	04132-113-20	4	Socket Head Cap Screw, 5/16"-18 x 1.50
21	62923	04132-113-21	4	Socket Head Cap Screw, 5/16"-18 x 1.75
22	62924	04132-113-22	1	Zerk, Grease
23	62925	04132-117-23	1	Shaft, Input
24	62926	04132-117-24	1	Shaft, Output
25	62927	04132-113-25	1	End Cap, CP-1.500
26	62928	04132-113-26	20	Lube / EP 85W140

SHORT SPINNER ASSEMBLY

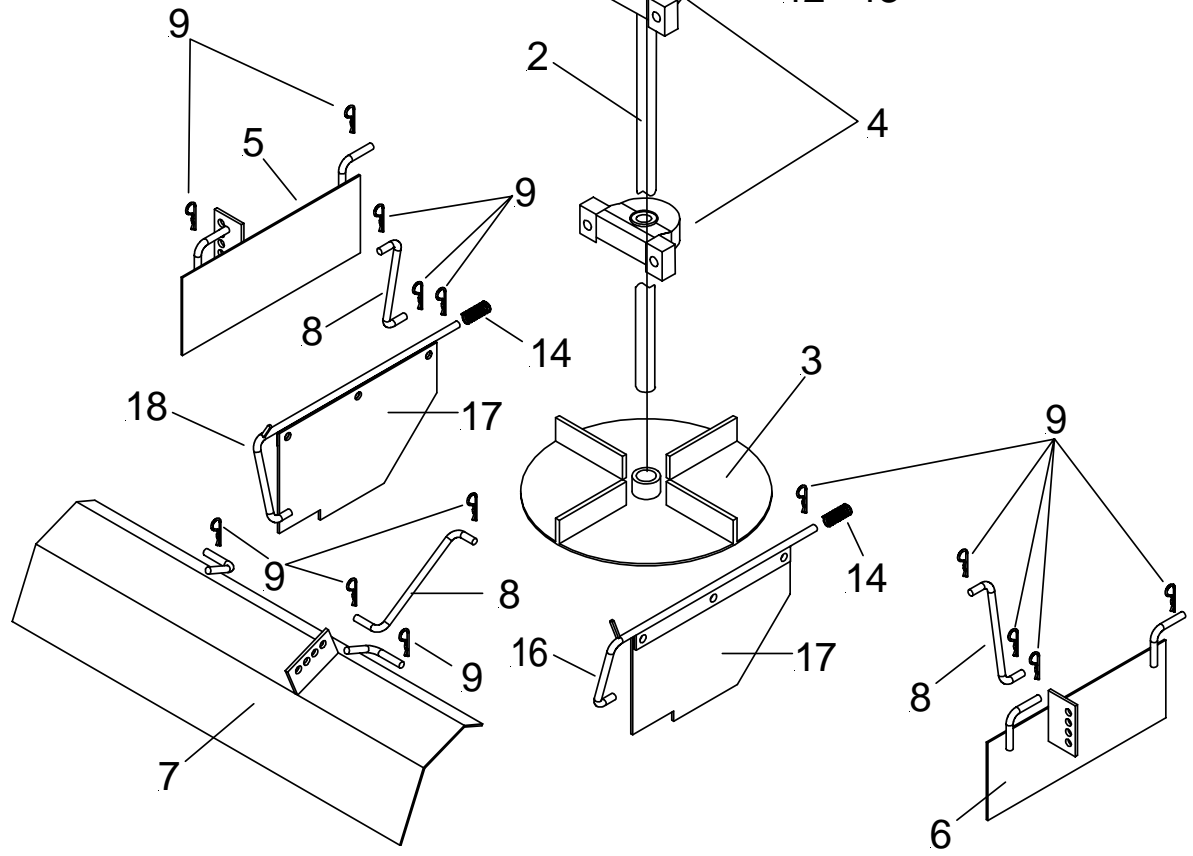
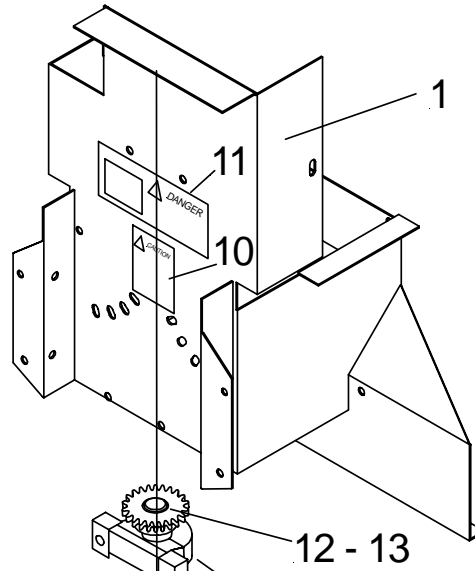
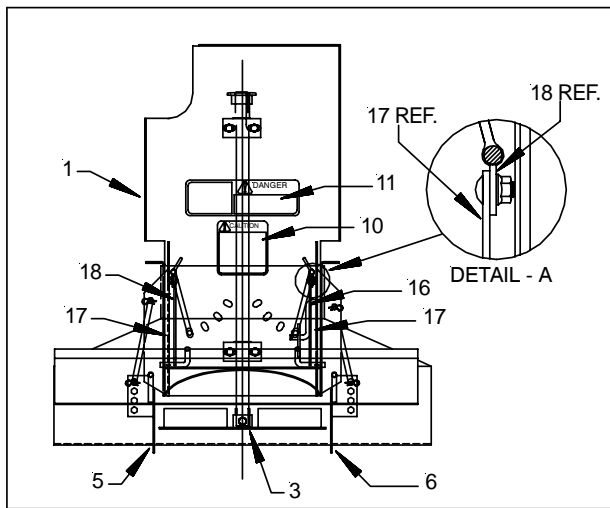


PARTS LIST FOR SPINNER ASSEMBLY
SHORT - PARTS ONLY
(ORIGINAL VERSION OF STANDARD)

PARTS LIST

ITEM	PART. NO.		QTY.	DESCRIPTION
	62504	00002-296-01	1	Short (Steel) Spinner Assy.
	62512	00002-296-05	1	Short (Steel) W/Poly Disc.
	62506	00002-296-02	1	Short (304SS) Spinner Assy.
1	62778	00115-576-01	1	• Weld, Spinner Frame (Carbon Steel)
	62779	00115-576-02	1	• Weld, Spinner Frame (304 Stainless Steel)
2	61151	00104-804-00	1	• Shaft, Spinner
3	61180	00104-849-00	1	• Weld, Spinner Disc
	62146	04622-033-00	1	• Disc, Poly Spinner
4	62356	04080-079-00	2	• Bearing
4b	61164	04080-011-00	2	• Bearing 1" (Old Style Hopper)
N/S	61187	00104-956-00	2	• Bearing Bracket, Weldment (Old Style)
5	61181	00104-811-00	1	• Weld, L. H. Baffle (Carbon Steel)
	62273	00104-811-01	1	• Weld, L. H. Baffle (304 Stainless Steel)
6	61182	00104-810-00	1	• Weld, R. H. Baffle (Carbon Steel)
	62272	00104-810-01	1	• Weld, R. H. Baffle (304 Stainless Steel)
7	61183	00104-835-00	1	• Weld, Rear Baffle (Carbon Steel)
	62275	00104-835-01	1	• Weld, Rear Baffle (304 Stainless Steel)
8	62313	00115-150-00	3	• Link Bar, S3
9	61232	04011-001-01	12	• Hairpin Keeper
10	62007	04049-045-00	1	• Decal, Caution
11	62006	04049-044-00	1	• Decal, Danger
12	61196	04031-007-00	1	• Key, 1/4" Sq. x 1"
13	61156	04041-085-00	1	• Sprocket Drive 41 B 13
13b	61157	04041-086-00	1	• Sprocket Drive 41 B 19 (Old Style Hopper)
14	62358	04091-028-00	2	• Spring, Compression
15	62780	00115-165-00	1	• Hardware Bag
16	62331	00115-545-01	1	• Weld, R. H. Handle (Carbon Steel)
	62781	00115-545-02	1	• Weld, R. H. Handle (304 Stainless Steel)
17	62782	00115-579-01	2	• Plate, Baffle (Carbon Steel)
	62783	00115-579-02	2	• Plate, Baffle (304 Stainless Steel)
18	62333	00115-580-01	1	• Weld, L. H. Handle (Carbon Steel)
	62784	00115-580-02	1	• Weld, L. H. Handle (304 Stainless Steel)
PARTS LIST FOR HYDRAULIC MOTOR DRIVEN UNITS				
	PART NUMBER		QTY.	DESCRIPTION
	62508	00002-296-03	1	Standard Hydraulic (Steel) Spinner Assy.
	62510	00002-296-04	1	Standard Hydraulic (304SS) Spinner Assy.
	62785	00115-721-01	1	• Weld, Spinner Frame (Carbon Steel)
	62786	00115-721-02	1	• Weld, Spinner Frame (304 Stainless Steel)
	62787	04101-119-00	1	• Motor, Hydraulic
	62788	00106-490-00	1	• Weld, Shaft
	62789	00115-722-01	1	• Bracket, Motor Mount (Carbon Steel)
	62790	00115-722-02	1	• Bracket, Motor Mount (304 Stainless Steel)
	62791	00107-080-00	2	• Bushing
	62792	00107-080-01	2	• Bushing, (304 Stainless Steel)

INTERMEDIATE - STANDARD SPINNER ASSEMBLY



PARTS LIST FOR EXTENDED SPINNER ASSEMBLY INTERMEDIATE - STANDARD (NEW)

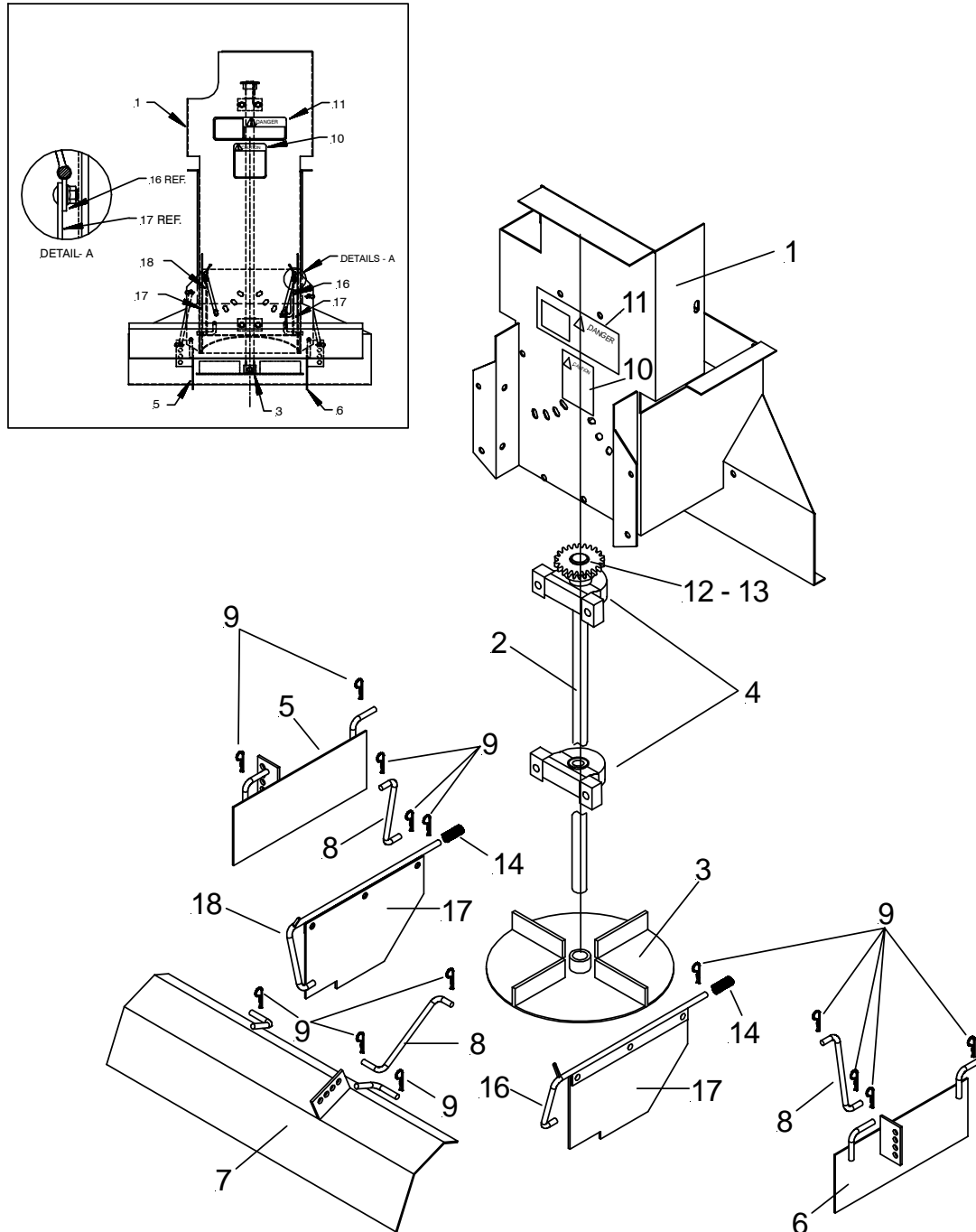
PARTS LIST

ITEM	PART. NO.		QTY.	DESCRIPTION
	62929	00002-296-13	1	Standard (Steel) W/Poly Disc.
	62930	00002-296-14	1	Standard (304SS) Spinner Assy.
1	62931	00119-091-01	1	• Weld, Spinner Frame (Carbon Steel)
	62932	00119-091-02	1	• Weld, Spinner Frame (304 Stainless Steel)
2	62933	00119-083-00	1	• Shaft, Spinner
3	61180	00104-849-00	1	• Weld, Spinner Disc
	62146	04622-033-00	1	• Disc, Poly Spinner
4	62356	04080-079-00	2	• Bearing
4b	61164	04080-011-00	2	• Bearing 1" (Old Style Hopper)
N/S	61187	00104-956-00	2	• Bearing Bracket, Weldment (Old Style)
5	61181	00104-811-00	1	• Weld, L. H. Baffle (Carbon Steel)
	62273	00104-811-01	1	• Weld, L. H. Baffle (304 Stainless Steel)
6	61182	00104-810-00	1	• Weld, R. H. Baffle (Carbon Steel)
	62272	00104-810-01	1	• Weld, R. H. Baffle (304 Stainless Steel)
7	61183	00104-835-00	1	• Weld, Rear Baffle (Carbon Steel)
	62275	00104-835-01	1	• Weld, Rear Baffle (304 Stainless Steel)
8	62313	00115-150-00	3	• Link Bar, S3
9	61232	04011-001-01	12	• Hairpin Keeper
10	62007	04049-045-00	1	• Decal, Caution
11	62006	04049-044-00	1	• Decal, Danger
12	61196	04031-007-00	1	• Key, 1/4" Sq. x 1"
13	61156	04041-085-00	1	• Sprocket Drive 41 B 13
13b	61157	04041-086-00	1	• Sprocket Drive 41 B 19 (Old Style Hopper)
14	62358	04091-028-00	2	• Spring, Compression
15	62780	00115-165-00	1	• Hardware Bag
16	62331	00115-545-01	1	• Weld, R. H. Handle (Carbon Steel)
	62781	00115-545-02	1	• Weld, R. H. Handle (304 Stainless Steel)
17	62782	00115-579-01	2	• Plate, Baffle (Carbon Steel)
	62783	00115-579-02	2	• Plate, Baffle (304 Stainless Steel)
18	62333	00115-580-01	1	• Weld, L. H. Handle (Carbon Steel)
	62784	00115-580-02	1	• Weld, L. H. Handle (304 Stainless Steel)

PARTS LIST FOR HYDRAULIC MOTOR DRIVEN UNITS

ITEM	PART. NO.		QTY.	DESCRIPTION
	----	00002-296-15	1	Extended Hydraulic (Steel) Spinner Assy.
	----	00002-296-16	1	Extended Hydraulic (304SS) Spinner Assy.
	----	00119-092-01	1	• Weld, Spinner Frame (Carbon Steel)
	----	00119-092-02	1	• Weld, Spinner Frame (304 Stainless Steel)
	62787	04101-119-00	1	• Motor, Hydraulic
	----	00119-085-00	1	• Weld, Shaft
	62789	00115-722-01	1	• Bracket, Motor Mount (Carbon Steel)
	62790	00115-722-02	1	• Bracket, Motor Mount (304 Stainless Steel)
	62791	00107-080-00	2	• Bushing
	62792	00107-080-01	2	• Bushing, (304 Stainless Steel)

EXTENDED SPINNER ASSEMBLY



PARTS LIST FOR EXTENDED SPINNER ASSEMBLY

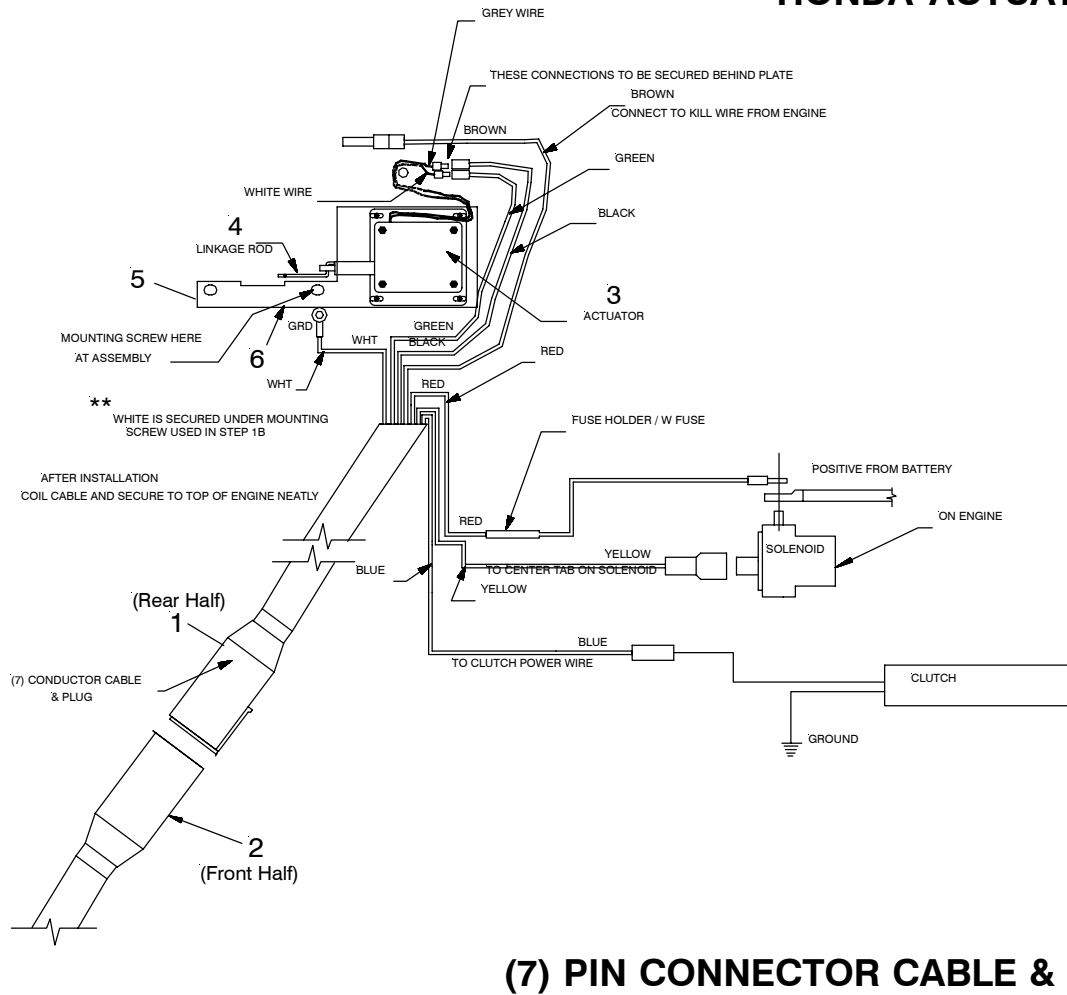
EXTENDED - PARTS ONLY

PARTS LIST

ITEM	PART. NO.		QTY.	DESCRIPTION
	62505	00002-296-02	1	Extended (Steel) Spinner Assy.
	62513	00002-296-10	1	Extended (Steel) W/Poly Disc.
	62507	00002-296-07	1	Extended (304SS) Spinner Assy.
1	62574	00115-658-01	1	• Weld, Spinner Frame (Carbon Steel)
	62793	00115-658-02	1	• Weld, Spinner Frame (304 Stainless Steel)
2	62057	00104-833-00	1	• Shaft, Spinner
3	61180	00104-849-00	1	• Weld, Spinner Disc
	62146	04622-033-00	1	• Disc, Poly Spinner
4	62356	04080-079-00	2	• Bearing
4b	61164	04080-011-00	2	• Bearing 1" (Old Style Hopper)
N/S	61187	00104-956-00	2	• Bearing Bracket, Weldment (Old Style)
5	61181	00104-811-00	1	• Weld, L. H. Baffle (Carbon Steel)
	62273	00104-811-01	1	• Weld, L. H. Baffle (304 Stainless Steel)
6	61182	00104-810-00	1	• Weld, R. H. Baffle (Carbon Steel)
	62272	00104-810-01	1	• Weld, R. H. Baffle (304 Stainless Steel)
7	61183	00104-835-00	1	• Weld, Rear Baffle (Carbon Steel)
	62275	00104-835-01	1	• Weld, Rear Baffle (304 Stainless Steel)
8	62313	00115-150-00	3	• Link Bar, S3
9	61232	04011-001-01	12	• Hairpin Keeper
10	62007	04049-045-00	1	• Decal, Caution
11	62006	04049-044-00	1	• Decal, Danger
12	61196	04031-007-00	1	• Key, 1/4" Sq. x 1"
13	61156	04041-085-00	1	• Sprocket Drive 41 B 13
13b	61157	04041-086-00	1	• Sprocket Drive 41 B 19 (Old Style Hopper)
14	62358	04091-028-00	2	• Spring, Compression
15	62780	00115-165-00	1	• Hardware Bag
16	62331	00115-545-01	1	• Weld, R. H. Handle (Carbon Steel)
	62781	00115-545-02	1	• Weld, R. H. Handle (304 Stainless Steel)
17	62782	00115-579-01	2	• Plate, Baffle (Carbon Steel)
	62783	00115-579-02	2	• Plate, Baffle (304 Stainless Steel)
18	62333	00115-580-01	1	• Weld, L. H. Handle (Carbon Steel)
	62784	00115-580-02	1	• Weld, L. H. Handle (304 Stainless Steel)
PARTS LIST FOR HYDRAULIC MOTOR DRIVEN UNITS				
ITEM	PART. NO.		QTY.	DESCRIPTION
	62509	00002-296-08	1	Extended Hydraulic (Steel) Spinner Assy.
	62511	00002-296-09	1	Extended Hydraulic (304SS) Spinner Assy.
	62794	00115-720-01	1	• Weld, Spinner Frame (Carbon Steel)
	62709	00115-720-02	1	• Weld, Spinner Frame (304 Stainless Steel)
	62787	04101-119-00	1	• Motor, Hydraulic
	62795	00111-283-00	1	• Weld, Shaft
	62789	00115-722-01	1	• Bracket, Motor Mount (Carbon Steel)
	62790	00115-722-02	1	• Bracket, Motor Mount (304 Stainless Steel)
	62791	00107-080-00	2	• Bushing
	62792	00107-080-01	2	• Bushing, (304 Stainless Steel)

ELECTRIC CONTROLS PARTS & SCHEMATIC

HONDA ACTUATOR



WIRING AT THE ENGINE

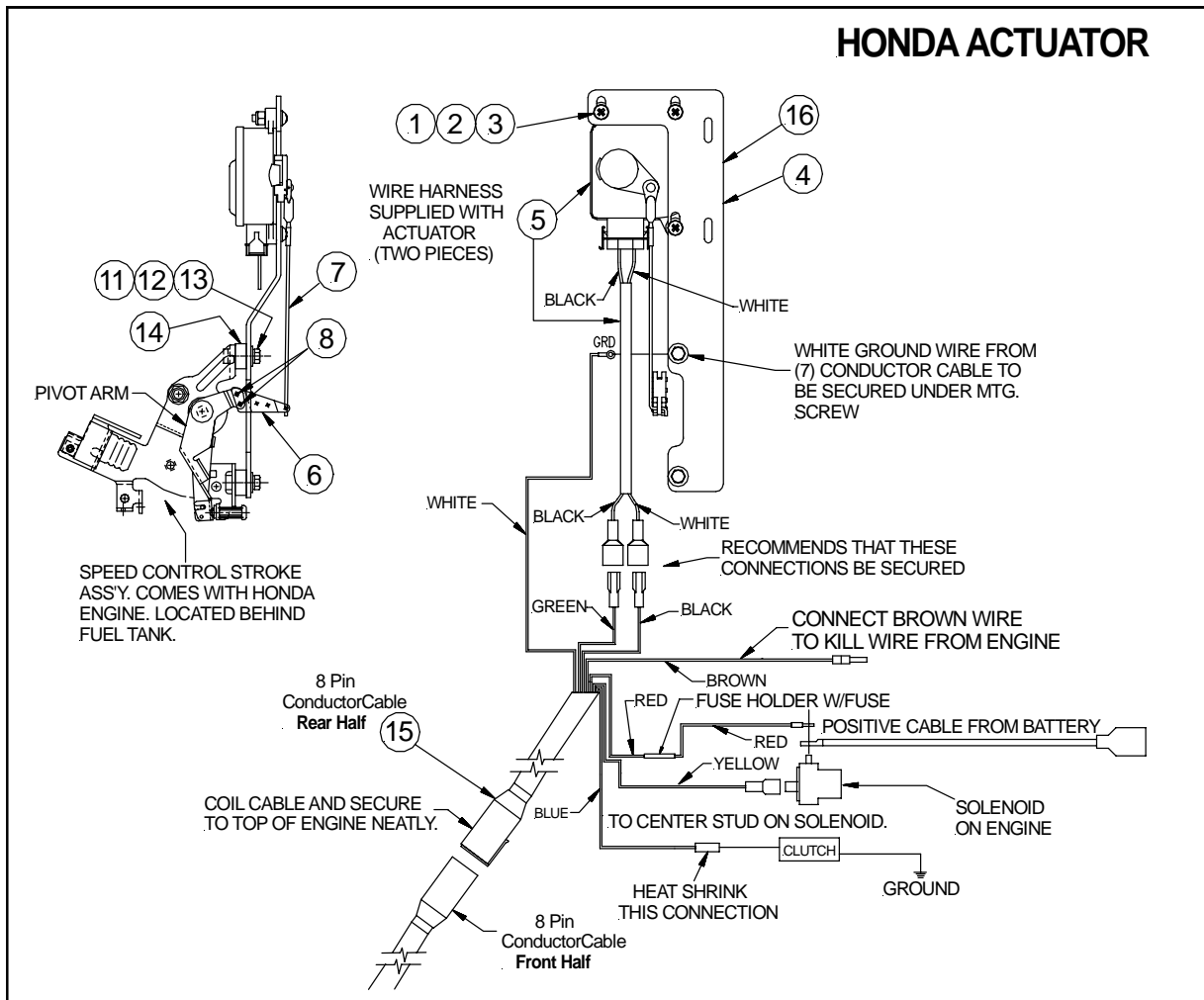
NOTE: The plug is wired to the cable as indicated on the connector.
(That is; red to red, black to black, etc.)

PARTS LIST

ITEM	PART. NO.		QTY.	DESCRIPTION
1	62701	00115-717-00	1	Conductor Cable & Plug (Rear)
2	62519	00115-654-00	1	Conductor Cable & Plug (Front)
3	62081	04150-037-00	1	Actuator, Linear
4	62324	00115-180-00	1	Rod, Linkage
5	62322	00115-176-00	1	Plate, Throttle
6	62701	00115-177-00	1	Assy., Throttle Plate (Includes Items 4, 5, & 6)

ELECTRIC CONTROLS PARTS & SCHEMATIC

HONDA ACTUATOR

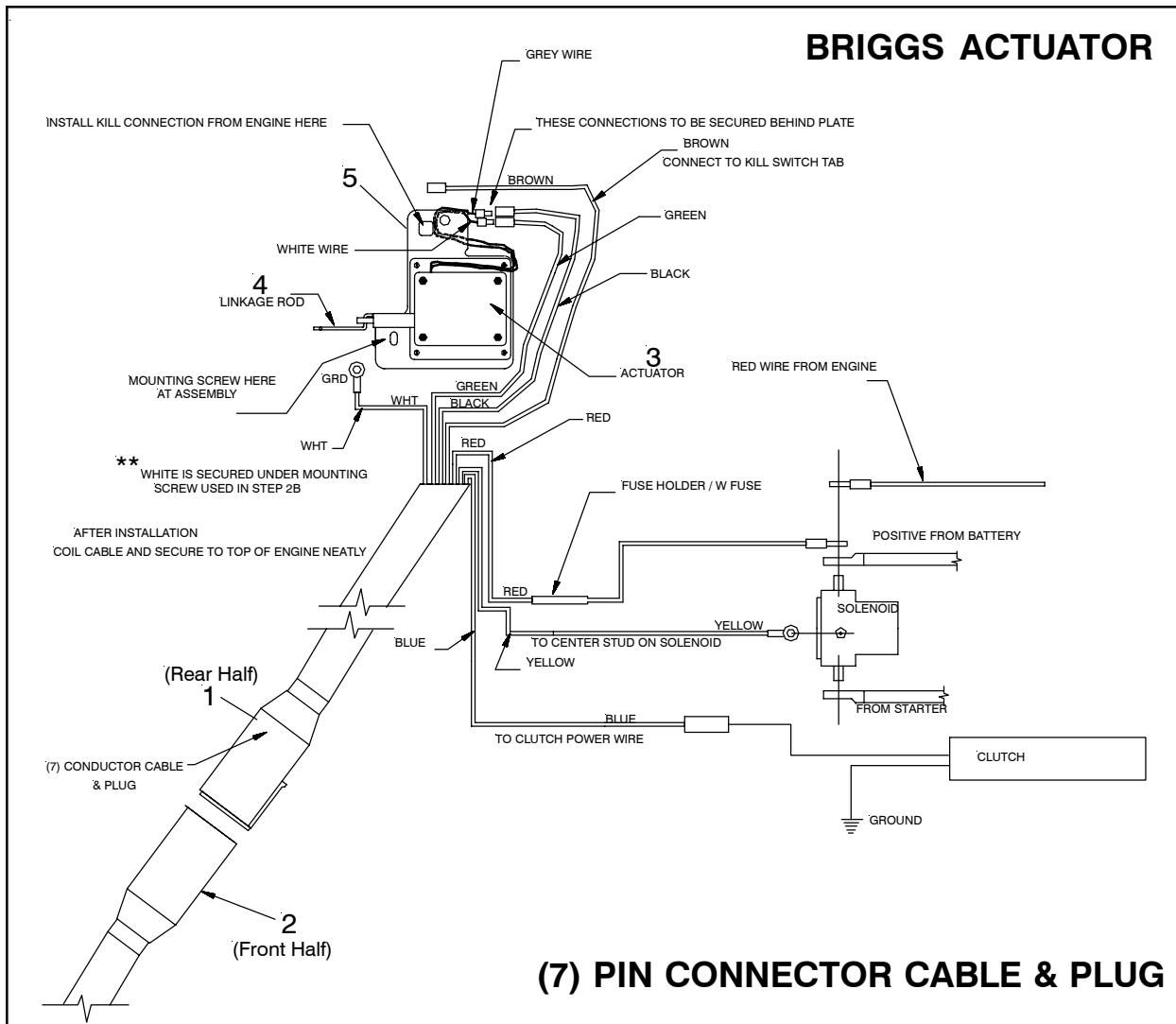


(8) PIN CONNECTOR CABLE & PLUG

PARTS LIST

ITEM	PART. NO.	QTY.	DESCRIPTION
	62647	04150-043-00	1 Honda Actuator
1	62651	04004-002-59	3 Flatwasher, #8 S.S.
2	62650	04003-804-28	3 Locknut, #8-32 Nylon S.S.
3	62649	04003-069-01	3 Screw, Machine #8-32 Phil Rd S.S.
4	62718	00117-411-00	1 Bracket, Actuator Mtg.
5	62721	04150-044-00	1 Actuator, Honda 12V
N/S	62703	00115-177-00	1 Throttle Plate
6	62719	00117-610-00	1 Lever, Throttle, Ext, Honda
7	62720	00117-410-00	1 Linkage, Bosch Act/Honda
8	62796	04016-001-03	2 Spring Pin 3/32 x 3/8
9	62797	04540-013-02	1 Grease Dielectric 2 - Gram
10	62798	00117-632-00	1 Instr. Sheet Honda Act.
11	62799	04003-186-02	2 Bolt, M5 x 25 HH S.S.
12	62800	04004-001-23	2 Lockwasher, #10 S.S.
13	62801	04004-002-53	2 Flatwasher, #10 S.S.
14	62339	04008-007-00	2 Bushing, Spacer S.S.
15	62519	00115-654-00	1 Assembly, Control Cable (Front Half)
16	62701	00115-717-00	1 Assembly includes items 1 thru 11 (Rear Half)
17			

ELECTRIC CONTROLS PARTS & SCHEMATIC



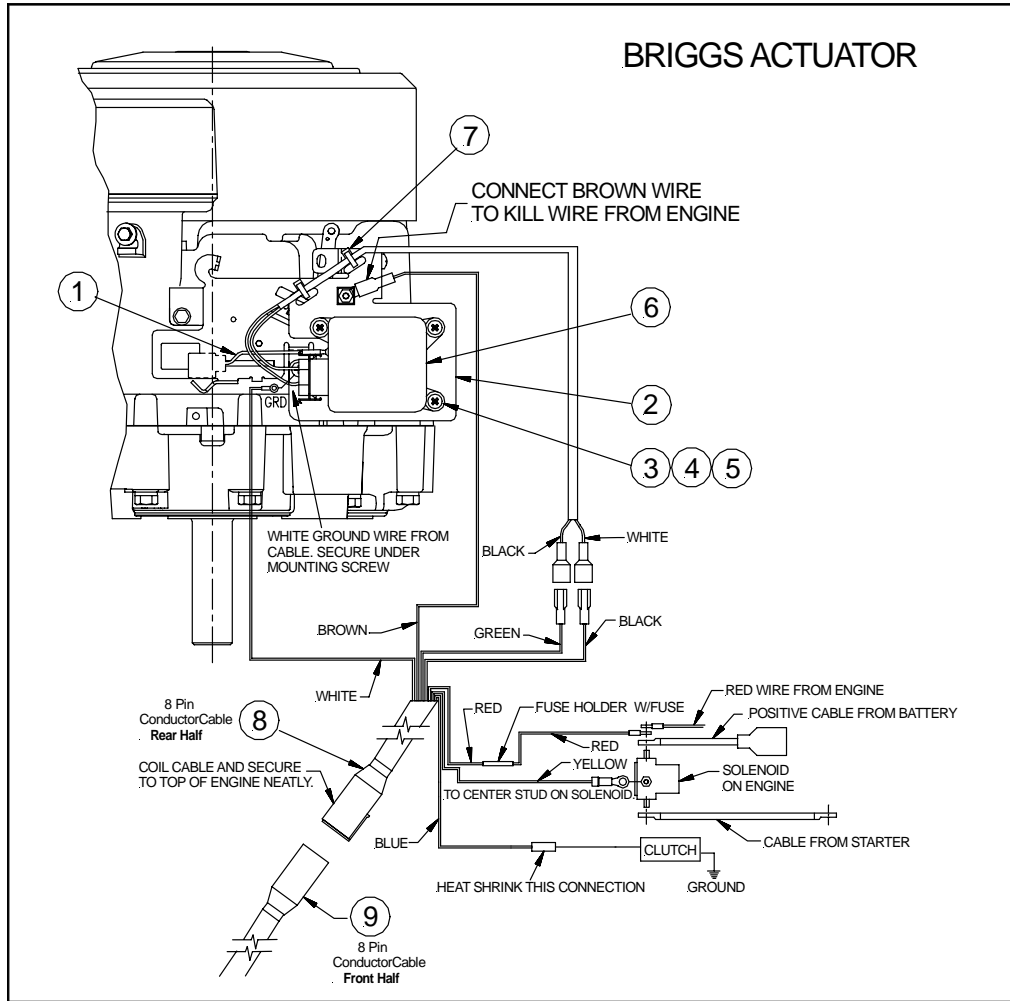
WIRING AT THE ENGINE

NOTE: The plug is wired to the cable as indicated on the connector.
(That is; red to red, black to black, etc.)

PARTS LIST

ITEM	PART. NO.		QTY.	DESCRIPTION
1	62169	00113-667-00	1	Conductor Cable & Plug (Rear)
2	62168	00114-165-00	1	Control Panel w/ Cable (Front)
3	62081	04150-037-00	1	Actuator, Linear
4	62181	00113-665-00	1	Rod, Linkage
5	62172	00113-664-00	1	Plate, Throttle
	62173	00002-256-00	1	Kit Cable Operation to Electric Throttle Conversion Kit (Complete)

ELECTRIC CONTROLS PARTS & SCHEMATIC



(8) PIN CONNECTOR CABLE & PLUG

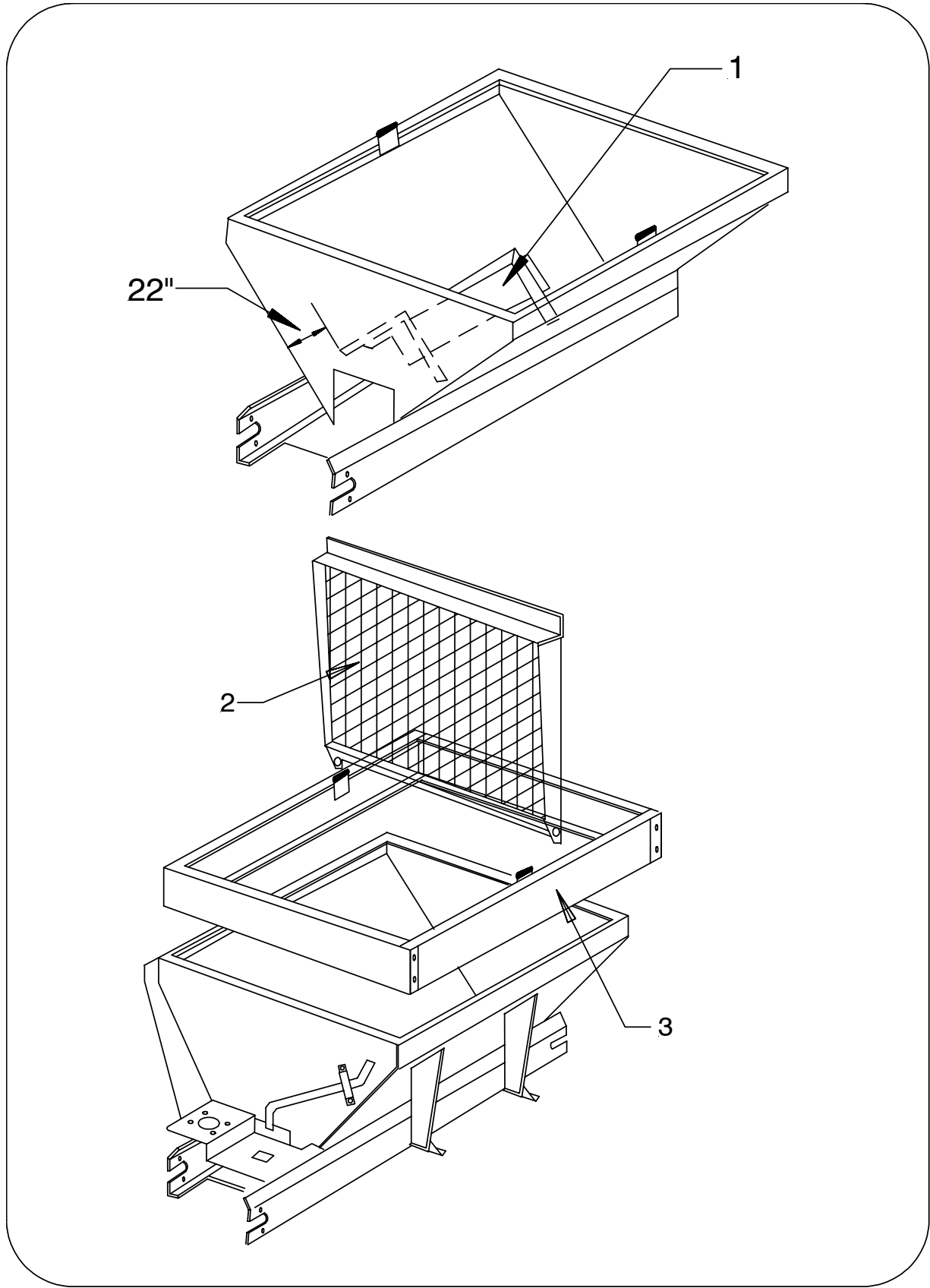
PARTS LIST

ITEM	PART. NO.		QTY.	DESCRIPTION
1	62648	00117-256-00	3	Linkage, Throttle
2	62645	00117-257-00	3	Bracket, Actuator
3	62649	04003-069-01	3	Screw, Machine #8-32 PHIL RD S.S.
4	62650	04003-804-28	1	Locknut, #8-32 NYL INS S.S.
5	62651	04004-002-59	1	Flatwasher, #8 S.S.
6	62647	04150-043-00	1	Assembly, Actuator
7	62183	04607-013-00	2	Tie, Nylon 5.5" STD.
8	62561	00115-655-00	1	Assembly, Control Cable (Rear Half)
9	62519	00115-654-00	1	Assembly, Control Cable (Front Half)

PARTS LIST FOR CONTROL PANEL ASSEMBLY (62334)

PARTS LIST

ITEM	PART. NO.		QTY.	DESCRIPTION
1	62150	04622-038-00	1	Enclosure
2	62151	04640-026-00	2	Panel, End
3	62152	04640-027-00	1	Panel, Middle
4	62153	00114-161-00	1	Switch, START/CONV
5	62154	00114-162-00	1	Switch, Choke HI/LO
6	62155	00114-163-00	1	Switch, ON/OFF
7	62156	04638-039-16	3	Conn., double M/FM
10	62158	04622-039-00	1	Enclosure, Back Panel
11	62159	04002-059-04	4	Screw, #8 x 1/2 SM SLT HWH ZP
14	62161	00113-753-00	1	Jump Wire, 14 Ga., BLUE 3"
15	62162	00113-756-00	1	Jump Wire, 14 Ga., BROWN 5.5"
16	62163	00113-755-00	1	Jump Wire, 14 Ga., RED 4"
17	62164	00113-757-00	1	Jump Wire, 14 GA., BROWN 3"
18	62165	00113-754-00	1	Jump Wire, 14 Ga., RED 3"
21	62671	04638-102-00	1	Receptical, Sq. Flange
22	62672	04638-105-00	7	Connector, Socket, 14 Ga., Tin
23	62673	04616-016-00	.333	Wire, 14 Ga., White Insulated
24	62674	04616-037-00	.333	Wire, 14 Ga., Black Insulated
25	62675	04616-039-00	.333	Wire, 14 Ga., Red Insulated
26	62676	04616-022-00	.333	Wire, 14 Ga., Brown Insulated
27	62677	04616-040-00	.333	Wire, 14 Ga., Green Insulated
28	62678	04616-021-00	.333	Wire, 14 Ga., Blue Insulated
29	62679	04616-038-00	.333	Wire, 14 Ga., Yellow Insulated
30	62680	04638-045-06	7	Terminal Insulated Disc. Female
31	62177	04003-061-04	4	Screw, #4-40 x 1/2 Slit Rd HD
32	62178	04003-801-01	4	Nut, #4-40 Hex ZP
33	62179	04004-001-01	4	Lockwasher, #4 Med Split ZP
	62519	NOT SHOWN: 00115-654-00	1	Cable, 7 Pin (Front Half)



AUXILIARY COMPONENTS

PARTS LIST

ITEM	PART. NO.		QTY.	DESCRIPTION
1	61148	00115-166-01	1	Inverted Vee (Carbon Steel)
	62316	00115-166-02	1	Inverted Vee (Stainless Steel)
2	62114	00112-127-01	2	Weldment, Screen (7 Ft. Unit)
	62115	00112-127-02	2	Weldment, Screen (8 Ft. Unit)
3	62111	00002-177-01	1	6" Extension (Carbon Steel - 7 Ft. Unit) Kit
	62112	00002-177-02	1	6" Extension (Stainless Steel - 7 Ft. Unit) Kit
	62194	00002-177-04	1	6" Extension (Carbon Steel - 8 Ft. Unit) Kit
	62145	00002-177-05	1	6" Extension (Stainless Steel - 8 Ft. Unit) Kit

PARTS LIST FOR SHIPPING CARTON 62545

PARTS LIST

ITEM	PART. NO.		QTY.	DESCRIPTION
1	62547	04046-016-06	1	Chain, Roller
2	62802	00115-667-00	1	Bag, Hardware
3	62803	00107-662-00	1	Instruction Package (Briggs & Stratton)
	62804	00115-191-00	1	Instruction Package (Honda)
4	62334	00115-662-00	1	Panel, Control
5	62738	04616-075-00	1	Cable, Stop Lamp
6	62166	00112-710-00	1	Bracket, Mounting
7	62519	00115-654-00	1	Cable, 8 Pin (Front Half)
8	62806	04540-013-01	1	Grease, Dielectric

NAME PLATE INFORMATION

- When ordering parts or requesting information or assistance, always include the information listed below.
- The Model Number and Serial Number for the Spreader are shown on the Name Plate.
- The space below is provided as a convenient place to record these numbers; just fill in the blanks.

Model No. _____

Serial No. _____

Date Purchased _____

Purchased From _____

Phone No. For Service _____

SPREADER ONE YEAR WARRANTY

Meyer Products ("Meyer") and Diamond Equipment ("Diamond") warrants to the original purchaser only that it will repair, or, at the sole option of Meyer or Diamond, replace any part of the new Meyer or Diamond covered product which proves to be defective in workmanship or material under normal use for a period of one year from the date of delivery to the original purchaser. This warranty is not transferable or assignable. The original purchaser's sole and exclusive remedy against Meyer or Diamond and Meyer's or Diamond's sole obligation for any and all claims, whether for breach of contract, warranty, tort (including negligence) or otherwise shall be limited to providing, through its Distributor/Sub Distributor network, all labor and or parts necessary to correct such defects free of charge. Any cost incurred in returning the product to the Distributor/Sub-Distributor is the responsibility of the original purchaser.

The gasoline engine used in this product is covered by its own warranty as provided by the engine manufacturer. A copy of this warranty is included with the engine.

EXCLUSIONS

THIS WARRANTY DOES NOT COVER PAINT, EXCEPT EXPENDABLE PARTS SUCH AS PINS, SPREADER FINS, AND OTHER NORMAL WEAR ITEMS. MEYER OR DIAMOND SHALL NOT BE LIABLE FOR ANY SPECIAL, INDIRECT OR CONSEQUENTIAL DAMAGES ARISING FROM ANY CLAIMS ARISING HEREUNDER, OR FOR DAMAGES RESULTING FROM LACK OF NECESSARY MAINTENANCE, OR FROM MISUSE, ACTS OF GOD, ALTERATION OF A MEYER OR DIAMOND PLOW, SPREADER OR PART, OR FROM USE OF PARTS OR HYDRAULIC FLUID NOT SUPPLIED BY MEYER OR DIAMOND. USE OF THE MEYER OR DIAMOND SNOWPLOW, SPREADER FOR ANY PURPOSE OTHER THAN PLOWING SNOW OR SPREADING APPROVED MATERIAL ARE EXAMPLES OF AN ABUSE AND MISUSE.

THE FOREGOING WARRANTY IS EXCLUSIVE AND IN LIEU OF ALL OTHER WARRANTIES, EXPRESS OR IMPLIED, INCLUDING, BUT NOT LIMITED TO, ANY IMPLIED WARRANTY OF MERCHANTABILITY OR FITNESS FOR A PARTICULAR PURPOSE.

WARRANTY SERVICE

In order to obtain service under this warranty, the original purchaser must return the Meyer/Diamond claimed defective product to the Distributor/Sub-Distributor from whom the product was purchased or to any authorized Meyer or Diamond Distributor/Sub-Distributor, transportation and freight charges prepaid. Only Meyer or Diamond Distributor/Sub-Distributors are authorized to perform the obligations under these warranties.

GENERAL

It is the responsibility of the original purchaser to establish the warranty period by verifying the original delivery date. A bill of sale, cancelled check or some other appropriate payment record may be kept for that purpose. It is recommended, but not required, that the consumer verify the original delivery date by immediately returning the attached Warranty Registration Card. No person is authorized to change this warranty or to create any warranty other than that set forth herein. This warranty gives you specific legal rights and you may also have other rights which vary from state to state.

Meyer Products
18513 Euclid Avenue
Cleveland, Ohio 44112
Phone (216) 486-1313
Fax (216) 486-3073
E-Mail advertising@meyerproducts.com

Diamond Equipment
6 Angell Lane
Damariscotta, Maine 04543-9801
Phone (207) 563-2226
Fax (207) 563-2229
E-Mail info@diamondplow.com

In order to validate this warranty, please complete this card and mail it.

Name: _____

Address: _____

Spreader Model: _____ Serial No.: _____

Installation Date: _____ Purchased From: _____

**Postage
Required**

**Meyer Products
18513 Euclid Avenue
Cleveland, Ohio 44112-1084**

Free Manuals Download Website

<http://myh66.com>

<http://usermanuals.us>

<http://www.somanuals.com>

<http://www.4manuals.cc>

<http://www.manual-lib.com>

<http://www.404manual.com>

<http://www.luxmanual.com>

<http://aubethermostatmanual.com>

Golf course search by state

<http://golfingnear.com>

Email search by domain

<http://emailbydomain.com>

Auto manuals search

<http://auto.somanuals.com>

TV manuals search

<http://tv.somanuals.com>