



MICROBOARDS[®]
Technology



CWT Series

Users Manual

www.microboards.com

Version 2.2

TABLE OF CONTENTS

| | |
|------------------------------------------------------------|----|
| System Overview | 5 |
| Unpacking your system..... | 5 |
| Microboards Statement Regarding Improper Duplication | 5 |
| Installation Requirements | 6 |
| Main Menu | 7 |
| Copy Disc to Disc..... | 7 |
| Copy CD+G | 7 |
| Simulation Disc to Disc | 7 |
| Erasing RW media | 8 |
| Setup Menu | 9 |
| Mode Select..... | 10 |
| CD WR Speed | 10 |
| ISRC Check | 10 |
| Auto Run..... | 10 |
| Copy Quantity | 10 |
| Session Mode | 10 |
| Reader Select | 10 |
| Drive Inquiry..... | 10 |
| F/W Version | 10 |
| F/W Update..... | 10 |
| Log..... | 10 |
| Error Codes | 11 |
| Specifications..... | 17 |
| Supported Formats | 17 |
| Firmware Updates..... | 17 |
| Technical Support..... | 17 |

System Overview

The CWT Series employs up to 10 General Purpose CD recorders.

An intuitive, menu driven display and 5-button control interface provide one-touch operation for the novice user while providing advanced features for the professional.



Advanced Features:

- Stand-Alone CD-R duplicator
- One Touch duplication
- Auto Run option
- Speed selectable (4x to 48x for CD-R)
- Supports writing to CD-R/RW
- Copy and Verify
- Counter feature allows the user to input how many discs need to be copied and the keeps track of the total discs completed.
- Simulation mode to ensure recording stability
- Easy-to-read, two-line display for status and error reporting
- Updates easily installed through CD reader

Unpacking your system

When unpacking your duplicator, confirm the following items are included:

- CWT Series duplicator
- Power cable
- Quick Start Guide
- Starter Kit (includes User's Manual and Warranty information)

If any of these items are missing, please contact or Microboards Technology Technical Support at 952-556-1639.

IMPORTANT: Please keep all the packing for your CWT Series duplicator. If your unit ever needs to be sent in for service, it must be returned in the original packing or the warranty will be voided.

Microboards Statement Regarding Improper Duplication

Microboards Technology fully supports the right of any business, organization, group, or individual to protect their property from unlicensed, unauthorized, or illegal duplication.

As a user of our equipment, we expect you to support that right as well.

Microboards Technology is neither responsible nor liable for the infringement of any laws regarding the illegal duplication of property. Microboards Technology products are in no way intended to encourage or condone such duplication.

Installation Requirements

System Setup

- Connect the power cable to the CWT Series tower and plug in to a protected power outlet strip or UPS power supply.
- Turn on power to the tower. The system is now ready to use.

Install your CWT Series duplicator in the following environment:

- On a level and stable surface
- In a well ventilated location
- Temperature and humidity
- Temperature: 5-40°
- Humidity: 20-80%RH (no dew formation)

Do not install it in the following places:

- Under direct sunlight (If the machine is exposed to sunlight, the light should be blocked by a curtain or blind.)
- A dusty location
- A place where there is a lot of vibration
- Near open flame
- A place where the temperature and humidity change drastically
- Near a heating device such as a heater or furnace
- A location where air from an air conditioner blows directly onto the unit
- Near a container filled with water such as a vase

In winter during times of low humidity or in a location where static electricity is generated, use an anti-static-electricity mat or humidifier to prevent static electricity.

Power supply

- Use house current as the power source for the unit.
- Do not use an outlet near a motor driven appliance (i.e. air conditioner, copying machine).
- Use an outlet with stable power supply voltages.
- Do not overload an outlet. Do not use a service outlet from a PCs or other office machine.
- Wire the power cord properly.
- Do not touch the power cord with a wet hand.
- Be careful not to damage the power cord.

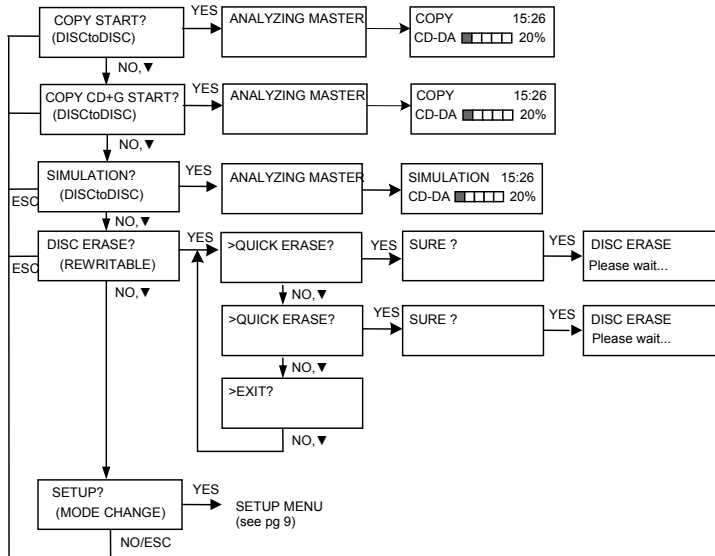
Inspect the power cord periodically.
In the event that the power cord is damaged, replace the power cord.



Be sure to use a tool such as the screwdriver to change the 115/230V Switch.
Do not use your finger.

Main Menu

The Arrow buttons (▼▲) allow you to move forward or backward in the menu without selecting the current menu item. The NO button will move you to the next menu item. YES will select the current menu item.



Copy Disc to Disc

- Place the Master Disc into the Reader drive.
Place the blank disc(s) into the Recorder drive(s) and wait for the light(s) on the front of the Recorder(s) to stop blinking.

Copy Start?
(DISC to DISC)

- The display reads COPY START? (DISC to DISC).
- Press YES. If you have the Auto Run feature set to ON, the duplication will begin when the master is loaded and all drives are loaded with blank media.
- The drive trays will open on any recorder without blank discs installed. If you do not want to make a copy in those drives, close the tray(s), wait for the drive light to go out, and then press the YES button to start the copy job.
- The display will now show the progress of the Copy Job.

COPY 425.0MB
CD ████ 25%

- The Recorder(s) will eject the recorded discs when the job is complete.

Copy CD+G

Use this menu to copy CD+G discs.

Follow the steps listed in the **Copy Disc to Disc** section above.

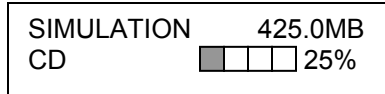
Simulation Disc to Disc

- At the COPY START? (DISC to DISC) menu, press the NO or ▼ button until the display shows SIMULATION? (DISC to DISC).

SIMULATION??
(DISC to DISC)

- Place the Master Disc into the Reader drive

3. Place the blank disc(s) into the Recorder drive(s) and wait 10 seconds for the light(s) on the front of the Recorder(s) to stop blinking.
4. Press YES.
5. The drive trays will open on any recorder without blank discs installed. If you do not want to make a copy in those drives, close the tray(s), wait for the drive light to go out, and then press the YES button to start the copy job.
6. The display will now show the progress of the Simulation Copy Job



7. The Recorder(s) will eject the still-blank discs when the job is complete.

Erasing RW media

1. At the COPY START? (DISC to DISC) menu, press the NO or ▼ button until the display shows DISC ERASE? (REWRITABLE):

DISC ERASE?
(REWRITABLE)

2. Load the Recorder(s) with the CD-RW media you wish to erase. You can erase one disc at a time or fill all the Recorders to erase multiple discs at once. All discs loaded must be of the same type.
3. Press the YES button
4. The next screen asks if you want to perform a Quick Erase.

QUICK ERASE?

If you wish to perform a Full Erase, press the NO button.

FULL ERASE?

Pressing the YES button at either of these selections will show the following screen:

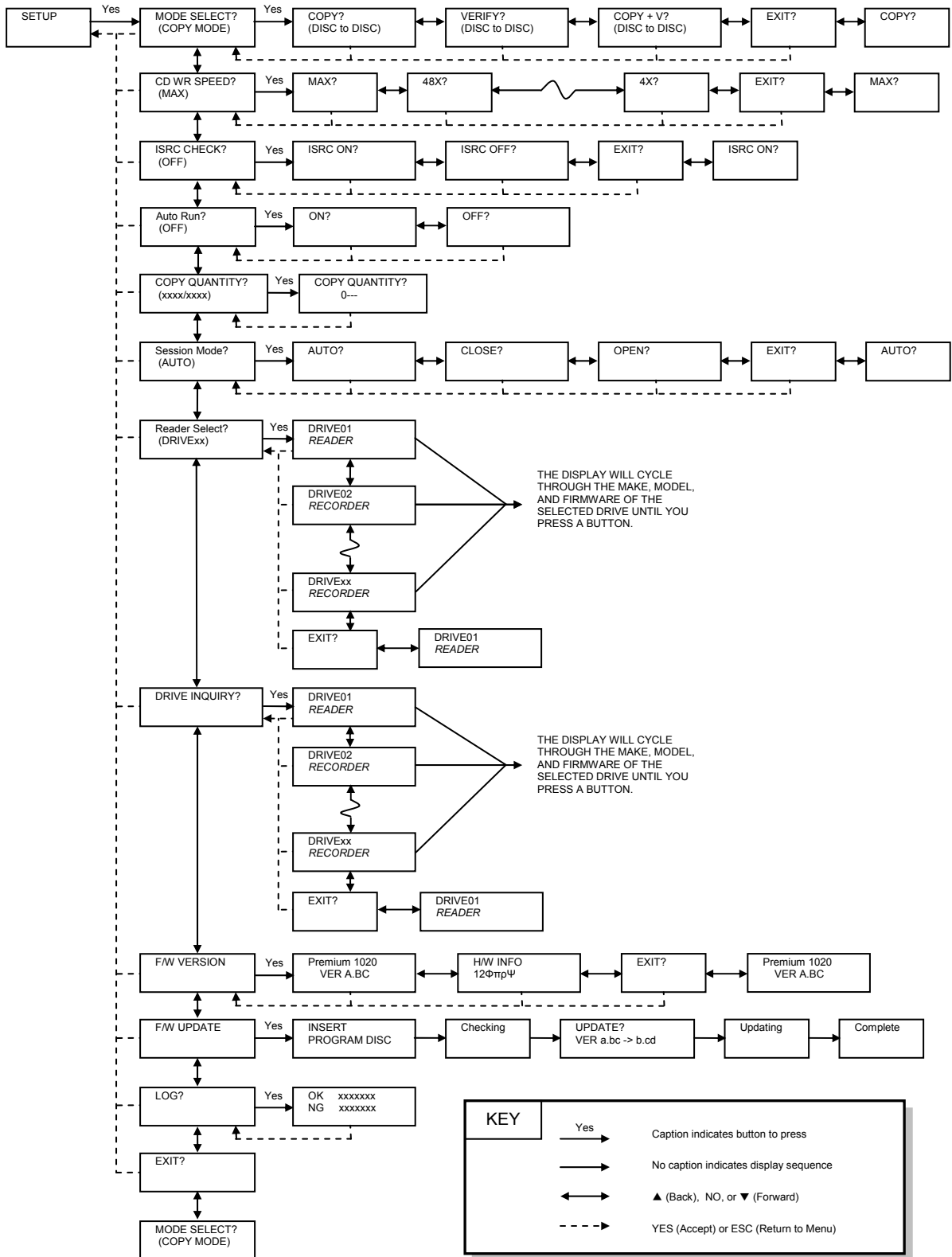
SURE?

5. Press the YES button if you are sure you want to erase the RW disc. If you do not wish to erase the disc, press the NO button and you will go back to the DISC ERASE screen (step 1).
6. The screen will now show:

DISC ERASE

7. Once the erasing is complete, the Recorder(s) will eject the disc(s).

Setup Menu



Setup Menu

1. At the COPY START? (DISC to DISC) menu, press the NO or ▼ button until the display shows SETUP? (MODE CHANGE)

SETUP?
 (MODE CHANGE)

2. Press the YES button
3. The first setup option is Mode Select, followed by Write Speeds, ISRC Check, Copy Quantity, Session Mode, Drive Inquiry, Firmware Version and Exit.
4. Pressing the NO or ▼ button will allow you to move from menu to menu.
5. Pressing the YES button will allow you to view or change the configuration of the system.
6. Please follow the flow chart on page 9 to navigate through the different menus.

Here is a description of each setup menu item:

Mode Select

COPY - Duplication from master disc to blank disc.

VERIFY - It compares a copied disc with the master disc.

COPY+V - Copying in the COPY+VERIFY mode

CD WR Speed

Available speeds range from 52x down to 4x.

ISRC Check

Default setting is ON. This feature will copy the ISRC codes from the Master audio disc to the blank discs.

Auto Run

Default setting is OFF. When set to ON, this allows the duplicator to start the duplication process when all recorders are loaded with blank media. The master must also be loaded before duplication will begin.

Copy Quantity

Set up the number of disc you want to copy.

>>COPY QUANTITY
 0750

Use the ▼▲ buttons to change the number in the current column up or down. YES will move you one column to the right, NO will move you 1 column to the left. Press YES when in the right column to save the number of copies entered. The example above shows that 750 copies have been entered with the cursor currently in the right column (underlined).

Session Mode

Select either from AUTO, CLOSE, or OPEN.

AUTO: Make the session of copied disc as same as the master.

CLOSE: Close the session of copied disc.

OPEN: Leave the session of copied disc open.

Reader Select

Changes which drive is selected as the reader. This setting should not be changed.

Drive Inquiry

Displays an inquiry of each drive connected, showing drive model and firmware.

F/W Version

Shows CWT Series firmware version and H/W information.

F/W Update

Used when updating the firmware of the CWT Series duplicator.

Log

Displays the number of successful and unsuccessful discs over the entire life of the duplicator.

Error Codes

Read Errors

| ASC | ASCQ | Description |
|-----|------|---------------------------------------------------------|
| 00 | 00 | NO ADDITIONAL SENSE INFORMATION |
| 00 | 06 | I/O PROCESS TERMINATED, PLAY OPERATION ABORTED |
| 00 | 11 | AUDIO PLAY OPERATION IN PROGRESS |
| 00 | 12 | AUDIO PLAY OPERATION PAUSE |
| 00 | 13 | AUDIO PLAY OPERATION SUCCESSFULLY COMPLETED |
| 00 | 14 | AUDIO PLAY OPERATION STOPPED DUE TO ERROR |
| 00 | 15 | NO CURRENT AUDIO STATUS TO RETURN |
| 00 | 17 | CLEANINF REQUESTED |
| 01 | 00 | NO INDEX/SECTOR SIGNAL |
| 02 | 00 | NO SEEK COMPLETE |
| 04 | 00 | LOGICAL UNIT NOT READY, CAUSE NOT REPORTABLE |
| 04 | 01 | LOGICAL UNIT IS IN PROCESS OF BECOMING READY |
| 04 | 02 | LOGICAL UNIT NOT READY, INITIALIZING CMD. REQUESTED |
| 04 | 03 | LOGICAL UNIT NOT READY, MANUAL INTERVENTION REQUIRED |
| 04 | 07 | LOGICAL UNIT NOT READY, OPERATION IN PROGRESS |
| 05 | 00 | LOGICAL UNIT DOES NOT RESPOND TO SELECTION |
| 06 | 00 | NO REFERENCE POSITION FOUND (medium may be upside down) |
| 08 | 00 | LOGICAL UNIT COMMUNICATION FAILURE |
| 08 | 01 | LOGICAL UNIT COMMUNICATION TIME-OUT |
| 08 | 02 | LOGICAL UNIT COMMUNICATION PARITY ERROR |
| 08 | 03 | LOGICAL UNIT COMMUNICATION CRC ERROR (ULTRA-DMA/32) |
| 09 | 00 | TRACK FOLLOWING ERROR |
| 09 | 01 | TRACKING SERVO FAILURE |
| 09 | 02 | FOCUS SERVO FAILURE |
| 09 | 03 | SPINDLE SERVO FAILURE |
| 0A | 00 | ERROR LOG OVERFLOW |
| 0B | 00 | WARNING |
| 0B | 01 | WARNING-SPECIFIED TEMPERATURE EXCEEDED |
| 0B | 02 | WARNING-ENCLOSURE DEGRADED |
| 10 | 00 | ID CRC OR ECC ERROR |
| 11 | 01 | UNRECOVERED READ ERROR |
| 11 | 02 | ERROR TOO LONG TO CORRECT |
| 11 | 05 | L-EC UNCORRECTABLE ERROR |
| 11 | 06 | CIRC UNRECOVERED ERROR |
| 11 | 0F | ERROR READING UPC/EAN NUMBER |
| 11 | 10 | ERROR - LOSS PF STREAMING |
| 12 | 00 | ADDRESS MARK NOT FOUND FOR ID FIELD |
| 13 | 00 | ADDRESS MARK NOT FOUND FOR DATA FIELD |
| 14 | 01 | RECORD NOT FOUND |
| 14 | 05 | RECORD NOT FOUND - RECOMMEND REASSIGNMENT |
| 14 | 06 | RECORD NOT FOUND - DATA AUTO - REALLOCATED |
| 15 | 00 | RANDOM POSITIONING ERROR |
| 15 | 01 | MECHANICAL POSITIONING ERROR |
| 15 | 02 | POSITIONING ERROR DETECTED BY READ OF MEDIUM |
| 17 | 00 | RECOVERED DATA WITH NO EOR CORRECTION APPLIED |
| 17 | 01 | RECOVERED DATA WITH RETRIES |
| 17 | 02 | RECOVERED DATA WITH POSITIVE HEAD OFFSET |
| 17 | 03 | RECOVERED DATA WITH NEGATIVE HEAD OFFSET |
| 17 | 04 | RECOVERED DATA WITH RETRIES AND/OR CIRC APPLIED |
| 17 | 05 | RECOVERED DATA USING PREVIOUS SECTOR ID |
| 18 | 00 | RECOVERED DATA WITH ERROR CORRECTION APPLIED |
| 18 | 01 | RECOVERED DATA WITH ERROR CORP. & RETRIES APPLIED |
| 18 | 03 | RECOVERED DATA WITH CIRC |
| 18 | 04 | RECOVERED DATA WITH L-EC |
| 1A | 00 | PARAMETER LIST LENGTH ERROR |
| 1B | 00 | SYNCHRONOUS DATA TRANSFER ERROR |
| 1E | 00 | RECOVERED ID WITH ECC CORRECTION |

| | | |
|----|----|----------------------------------------------------|
| 20 | 00 | INVALID COMMAND OPERATION CODE |
| 21 | 00 | LOGICAL BLOCK ADDRESS OUT OF RANGE |
| 24 | 00 | INVALID FIELD IN CDB |
| 25 | 00 | LOGICAL UNIT NOT SUPPORTED |
| 26 | 00 | INVALID FIELD IN PARAMETER LIST |
| 26 | 01 | PARAMETER NOT SUPPORTED |
| 26 | 02 | PARAMETER VALUE INVALID |
| 26 | 03 | THRESHOLD PARAMETERS NOT SUPPORTED |
| 26 | 04 | INVALID RELEASE OF ACTIVE PERSISTENT RESERVATION |
| 28 | 00 | NOT READY TO READY CHANGE, MEDIUM MAY HAVE CHANGED |
| 29 | 00 | POWER ON, RESET, OR BUS DEVICE RESET OCCURRED |
| 29 | 01 | POWER ON OCCURRED |
| 29 | 02 | SCSI BUS RESET OCCURRED |
| 29 | 03 | BUS DEVICE RESET FUNCTION OCCURRED |
| 29 | 04 | DEVICE INTERNAL RESET |
| 2A | 00 | PARAMETERS CHANGED |
| 2A | 01 | MODE PARAMETERS CHANGED |
| 2A | 02 | LOG PARAMETERS CHANGED |
| 2A | 03 | RESERVATIONS PREEMPTED |
| 2B | 00 | COPY CANNOT EXECUTE SINCE HOST CANNOT DISCONNECT |
| 2C | 00 | COMMAND SEQUENCE ERROR |
| 2C | 05 | PERSISTENT PREVENT CONFLICT |
| 2F | 00 | COMMANDS CLEARED BY ANOTHER INITIATOR |
| 30 | 00 | INCOMPATIBLE MEDIUM INSTALLED |
| 30 | 01 | CANNOT READ MEDIUM - UNKNOWN FORMAT |
| 30 | 02 | CANNOT READ MEDIUM - INCOMPATIBLE FORMAT |
| 30 | 03 | CLEANSING CARTRIDGE INSTALLED |
| 35 | 00 | ENCLOSURE SERVICES FAILURE |
| 35 | 01 | UNSUPPORTED ENCLOSURE FUNCTION |
| 35 | 02 | ENCLOSURE SERVICES UNAVAILABLE |
| 35 | 03 | ENCLOSURE SERVICES TRANSFER FAILURE |
| 35 | 04 | ENCLOSURE SERVICES TRANSFER REFUSED |
| 39 | 00 | SAVING PARAMETERS NOT SUPPORTED |
| 3A | 00 | MEDIUM NOT PRESENT |
| 3A | 01 | MEDIUM NOT PRESENT-TRAY CLOSED |
| 3A | 02 | MEDIUM NOT PRESENT-TRAY OPEN |
| 3B | 0F | END OF MEDIUM REACHED |
| 3B | 11 | MEDIUM MAGAZINE NOT ACCESSIBLE |
| 3B | 12 | MEDIUM MAGAZINE REMOVED |
| 3B | 13 | MEDIUM MAGAZINE INSERTED |
| 3B | 14 | MEDIUM MAGAZINE LOCKED |
| 3B | 15 | MEDIUM MAGAZINE UNLOCKED |
| 3B | 16 | MECHANICAL POSITIONING OR CHANGER ERROR |
| 3D | 00 | INVALID BITS IN IDENTIFY MESSAGE |
| 3E | 00 | LOGICAL UNIT HAS NOT SELF-CONFIGURED YET |
| 3E | 01 | LOGICAL UNIT FAILURE |
| 3E | 02 | TIMEOUT ON LOGICAL UNIT |
| 3F | 00 | TARGET OPERATING CONDITIONS HAVE CHANGED |
| 3F | 01 | MICROCODE HAS BEEN CHANGED |
| 3F | 02 | CHANGED OPERATING DEFINITION |
| 3F | 03 | INQUIRY DATA HAS CHANGED |
| 40 | NN | DIAGNOSTIC FAILURE ON COMPONENT NN (80H-FFH) |
| 43 | 00 | MESSAGE ERROR |
| 44 | 00 | INTERNAL TARGET FAILURE |
| 45 | 00 | SELECT OR RESELECT FAILURE |
| 46 | 00 | UNSUCCESSFUL SOFT RESET |
| 47 | 00 | SCSI PARITY ERROR |
| 48 | 00 | INITIATOR DETECTED ERROR MESSAGE RECEIVED |
| 49 | 00 | INVALID MESSAGE ERROR |
| 4A | 00 | COMMAND PHASE ERROR |
| 4B | 00 | DATA PHASE ERROR |
| 4C | 00 | LOGICAL UNIT FAILED SELF-CONFIGURATION |

| | | |
|----|----|------------------------------------------------------------------------|
| 4D | NN | TAGGED OVERLAPPED COMMANDS (NN=QUEUE TAG) |
| 4E | 00 | OVAERLAPPED COMMANDS ATTEMPTED |
| 53 | 00 | MEDIA LOAD OR EJECTED FAILED |
| 53 | 02 | MEDIUM REMOVAL PREVENTED |
| 55 | 00 | SYSTEM RESOURCE FAILURE |
| 57 | 00 | UNABLE TO RECOVER TABLE-OF-CONTENTS |
| 5A | 00 | OPERATOR REQUEST OR STATE CHANGE INPUT |
| 5A | 01 | OPERATOR MEDIUM REMOVAL REQUEST |
| 5B | 00 | LOG EXCEPTION |
| 5B | 01 | THRESHOLD CONDITION MET |
| 5B | 02 | LOG COUNTER AT MAXIMUM |
| 5B | 03 | LOG LIST CODES EXHAUSTED |
| 5D | 00 | FAILURE PREDICTION THRESHOLD EXCEEDED - Predicted Logical Unit Failure |
| 5D | 01 | FAILURE PREDICTION THRESHOLD EXCEEDED - Predicted Media Failure |
| 5D | FF | FAILURE PREDICTION THRESHOLD EXCEEDED (FALSE) |
| 5E | 00 | LOW POWER CONDITION ON |
| 5E | 01 | IDLE CONDITION ACTIVATED BY TIMER |
| 5E | 02 | STANDBY CONDITION ACTIVATED BY COMMAND |
| 5E | 03 | IDLE CONDITION ACTIVATED BY COMMAND |
| 5E | 04 | STANDBY CONDITION ACTIVATED BY COMMAND |
| 63 | 00 | END OF USER AREA ENCOUNTERED ON THIS TRACK |
| 63 | 01 | PACKET DOES NOT FIT IN AVAILABLE SPACE |
| 64 | 00 | ILLEGAL MODE FOR THIS TRACK |
| 65 | 00 | VOLTAGE FAULT |
| 73 | 00 | CD CONTROL ERROR |
| 80 | xx | VENDOR SPECIFIC |

Write Errors

| ASC | ASCQ | Description |
|-----|------|------------------------------------------------------|
| 00 | 00 | NO ADDITIONAL SENSE INFORMATION |
| 00 | 06 | I/O PROCESS TERMINATED, PLAY OPERATION ABORTED |
| 00 | 11 | AUDIO PLAY OPERATION IN PROGRESS |
| 00 | 12 | AUDIO PLAY OPERATION PAUSED |
| 00 | 13 | AUDIO PLAY OPERATION SUCCESSFULLY |
| 00 | 14 | AUDIO PLAY OPERATION STOPPED DUE TO ERRPOR |
| 00 | 15 | NO CURRENT AUDIO STATUS TO RETURN |
| 02 | 00 | NO SEEK COMPLETE |
| 04 | 00 | LOGICAL UNIT NOT READY, CAUSE NOT REPORTABLE |
| 04 | 01 | LOGICAL UNIT IS IN PROCESS OF BECOMING READY |
| 04 | 02 | LOGICAL UNIT NOT READY, INITIALIZING CMD. REQUIRED |
| 04 | 03 | LOGICAL UNIT NOT READY, MANUAL INTERVENTION REQUIRED |
| 04 | 04 | LOGICAL UNIT NOT READY, FORMAT IN PROGRESS |
| 04 | 07 | LOGICAL UNIT NOT READY, OPERATION IN PROGRESS |
| 04 | 08 | LOGICAL UNIT NOT READY, LONG WRITE IN PROGRESS |
| 05 | 00 | LOGICAL UNIT DOES NOT RESPOND TO SELECTION |
| 06 | 00 | NO REFERENCE POSITION FOUND |
| 08 | 00 | LOGICAL UNIT COMMUNICATION FAILURE |
| 08 | 01 | LOGICAL UNIT COMUUNICATION TIME-OUT |
| 08 | 02 | LOGICAL UNIT COMMUNICATION PARITY ERROR |
| 08 | 03 | LOGICAL UNIT COMMUNICATION CRC ERROR (ULTRA-DMA/32) |
| 09 | 00 | TRACK FOLLOWING ERROR |
| 09 | 01 | TRACKING SERVO FAILURE |
| 09 | 02 | FOCUS SERVO FAILURE |
| 09 | 03 | SPINDLE SERVO FAILURE |
| 0A | 00 | ERROR LOG OVERFLOW |
| 0B | 00 | WARNING |
| 0B | 01 | WARNING-SPECIFIED TEMPERATURE EXCEEDED |
| 0B | 02 | WARNING-ENCLOSURE DEGRADED |
| 0C | 00 | WRITE ERROR |
| 0C | 02 | WRITE ERROR-RECOVERED WITH AUTO REALLOCATION |

| | | |
|----|----|-----------------------------------------------------|
| 0C | 03 | WRITE ERROR-RECOMMEND REASSIGNMENT |
| 0C | 07 | WRITE ERROR-RECOVERY NEEDED |
| 0C | 08 | WRITE ERROR-RECOVERY FAILED |
| 0C | 09 | WRITE ERROR-LOSS OF STREAMING |
| 0C | 0A | WRITE ERROR-PADDING BLOCKS ADDED |
| 11 | 00 | UNRECOVERED READ ERROR |
| 11 | 06 | CIRC UNRECOVERED ERROR |
| 15 | 00 | RANDOM POSITIONING ERROR |
| 15 | 01 | MECHANICAL POSITIONING ERROR |
| 15 | 02 | POSITIONING ERROR DETECTED BY READ OF MEDIUM |
| 16 | 00 | DATA SYNCHRONIZATION MARK ERROR |
| 16 | 01 | DATA SYNC ERROR-DATA REWRITTEN |
| 16 | 02 | DATA SYNC ERROR-RECOMMEND REWRITE |
| 16 | 03 | DATA SYNC ERROR-DATA AUTO-REALLOCATED |
| 16 | 04 | DATA SYNC ERROR-RECOMMEND REASSIGNMENT |
| 17 | 00 | RECOVERED DATA WITH NO ERROR CORRECTION APPLIED |
| 17 | 01 | RECOVERED DATA WITH RETRIES |
| 17 | 02 | RECOVERED DATA WITH POSITIVE HEAD OFFSET |
| 17 | 03 | RECOVERED DATA WITH NEGATIVE HEAD OFFSET |
| 17 | 04 | RECOVERED DATA WITH RETRIES AND/OR CIRC APPLIED |
| 17 | 05 | RECOVERED DATA USING PREVIOUS SECTOR ID |
| 17 | 06 | RECOVERED DATA WITHOUT ECC - DATA AUTO-REALLOCATED |
| 17 | 07 | RECOVERED DATA WITHOUT ECC - RECOMMEND REASSIGNMENT |
| 17 | 08 | RECOVERED DATA WITHOUT ECC - RECOMMEND REWRITE |
| 17 | 09 | RECOVERED DATA WITHOUT ECC - DATA REWRITTEN |
| 18 | 00 | RECOVERED DATA WITH ERROR CORRECTION APPLIED |
| 18 | 01 | RECOVERED DATA WITH ERROR CORR. & RETRIES APPLIED |
| 18 | 02 | RECOVERED DATA - DATA AUTO-REALLOCATED |
| 18 | 03 | RECOVERED DATA WITH CIRC |
| 18 | 04 | RECOVERED DATA WITH L-EC |
| 18 | 05 | RECOVERED DATA - RECOMMEND REASSIGNMENT |
| 18 | 06 | RECOVERED DATA - RECOMMEND REWRITE |
| 18 | 07 | RECOVERED DATA WITH ECC - DATA REWRITTEN |
| 19 | 00 | DEFECT LIST NOT ERROR |
| 19 | 01 | DEFECT LIST NOT AVAILABLE |
| 19 | 02 | DEFECT LIST ERROR IN PRIMARY LIST |
| 19 | 03 | DEFECT LIST ERROR IN GROWN LIST |
| 1A | 00 | PARAMETER LIST LENGTH ERROR |
| 1B | 00 | SYNCHRONOUS DATA TRANSFER ERROR |
| 1C | 00 | DEFECT LIST NOT FOUND |
| 1C | 01 | PRIMARY DEFECT LIST NOT FOUND |
| 1C | 02 | GROWN DEFECT LIST NOT FOUND |
| 1D | 00 | MISCOMPARE DURING VERIFY OPERATION |
| 20 | 00 | INVALID COMMAND OPERATION CODE |
| 21 | 00 | LOGICAL BLOCK ADDRESS OUT OF RANGE |
| 21 | 02 | INVALID ADDRESS FOR WRITE |
| 24 | 00 | INVALID FIELD IN CDB |
| 25 | 00 | LOGICAL UNIT NOT SUPPORTED |
| 26 | 00 | INVALID FIELD IN PARAMETER LIST |
| 26 | 01 | PARAMETER NOT SUPPORTED |
| 26 | 02 | PARAMETER VALUE INVALID |
| 26 | 03 | THRESHOLD PARAMETERS NOT SUPPORTED |
| 26 | 04 | INVALID RELEASE OF ACTIVE PERSISTENT RESERVATION |
| 27 | 00 | WRITE PROTECTED |
| 27 | 01 | HARDWARE WRITE PROTECTED |
| 27 | 02 | LOGICAL UNIT SOFTWARE WRITE PROTECTED |
| 27 | 03 | ASSOCIATED WRITE PROTECT |
| 27 | 04 | PERSISTENT WRITE PROTECT |
| 27 | 05 | PERSISTENT WRITE PROTECT |
| 27 | 06 | CONDITIONAL WRITE PROTECT |
| 28 | 00 | NOT READY TO READY CHANGE, MEDIUM MAY HAVE CHANGED |
| 29 | 00 | POWER ON, RESET, OR BUS DEVICE RESET OCCURRED |

| | | |
|----|----|----------------------------------------------------|
| 29 | 01 | POWER ON OCCURRED |
| 29 | 02 | SCSI BUS RESET OCCURRED |
| 29 | 03 | BUS DEVICE RESET FUNCTION OCCURRED |
| 29 | 04 | DEVICE INTERNAL RESET |
| 2A | 00 | PARAMETERS CHANGED |
| 2A | 01 | MODE PARAMETERS CHANGED |
| 2A | 02 | LOG PARAMETERS CHANGED |
| 2A | 03 | RESERVATIONS PREEMPTED |
| 2B | 00 | COPY CANNOT EXECUSE SINCE HOST CANNOT DISCONNECT |
| 2C | 00 | COMMAND SEQUENCE ERROR |
| 28 | 00 | NOT READY TO READY CHANGE, MEDIUM MAY HAVE CHANGED |
| 29 | 00 | POWER ON, RESET, OR BUS DEVICE RESET OCCURRED |
| 2A | 00 | PARAMETERS CHANGED |
| 2A | 01 | MODE PARAMETERS CHANGED |
| 2C | 00 | COMMAND SEQUENCE ERROR |
| 2C | 03 | CURRENT PROGRAM AREA IS NOT EMPTY |
| 2C | 04 | CURRENT PROGRAM AREA IS EMPTY |
| 2C | 05 | PERSISTENT PREVENT CONFLICT |
| 2E | 00 | INSUFFICIENT TIME FOR OPERATION |
| 2F | 00 | COMMANDS CLEARED BY ANOTHER INITIATOR |
| 30 | 00 | INCOMPATIBLE MEDIUM INSTALLED |
| 30 | 01 | CANNOT READ MEDIUM - UNKNOWN FORMAT |
| 30 | 02 | CANNOT READ MEDIUM - INCOMPATIBLE FORMAT |
| 30 | 05 | CANNOT WRITE MEDIUM - INCOMPATIBLE FORMAT |
| 30 | 06 | CANNOT FORMAT MEDIUM - INCOMPATIBLE MEDIUM |
| 30 | 08 | CANNOT WRITE - APPLICATION CODE MISMATCH |
| 30 | 09 | CURRENT SESSION NOT FIXATED FOR APPEND |
| 31 | 00 | MEDIUM FORMAT CORRUPTED |
| 31 | 01 | FORMAT COMMAND FAILED |
| 32 | 00 | NO DEFECT SPARE LOCATION AVAILABLE |
| 32 | 01 | DEFECT LIST UPDATE FAILURE |
| 35 | 00 | ENCLOSURE SERVICES FAILURE |
| 35 | 01 | UNSUPPORTED ENCLOSURE FUNCTION |
| 35 | 02 | ENCLOSURE SERVICES UNAVAILABLE |
| 35 | 03 | ENCLOSURE SERVICES TRANSFER FAILURE |
| 35 | 04 | ENCLOSURE SERVICES TRANSFER REFUSED |
| 37 | 00 | ROUNDED PARAMETER |
| 39 | 00 | SAVING PARAMETERS NOT SUPPORTED |
| 3A | 00 | MEDIUM NOT PRESENT |
| 3A | 01 | MEDIUM NOT PRESENT - TRAY CLOSED |
| 3A | 02 | MEDIUM NOT PRESENT - TRAY OPEN |
| 3D | 00 | INVALID BITS IN IDENTIFY MESSAGE |
| 3E | 00 | LOGICAL UNIT HAS NOT SELF-CONFIGURED YET |
| 3E | 01 | LOGICAL UNIT FAILURE |
| 3E | 02 | TIMEOUT ON LOGICAL UNIT |
| 3F | 00 | TARGET OPERATING CONDITIONS HAVE CHANGED |
| 3F | 01 | MICROCODE HAS BEEN CHANGED |
| 3F | 02 | CHANGED OPERATING DEFINITION |
| 3F | 03 | INQUIRY DATA HAS CHANGED |
| 40 | NN | DIAGNOSTIC FAILURE ON COMPONENT NN (80H-FFH) |
| 43 | 00 | MESSAGE ERROR |
| 44 | 00 | INTERNAL TARGET FAILURE |
| 45 | 00 | SELECT OR RESELECT FAILURE |
| 46 | 00 | UNSUCCESSFUL SOFT RESET |
| 47 | 00 | SCSI PARITY ERROR |
| 48 | 00 | INITIATOR DETECTED ERROR MESSAGE RECEIVED |
| 49 | 00 | INVALID MESSAGE ERROR |
| 4A | 00 | COMMAND PHASE ERROR |
| 4B | 00 | DATA PHASE ERROR |
| 4C | 00 | LOGICAL UNIT FAILED SELF-CONFIGURATION |
| 4D | NN | TAGGED OVERLAPPED COMMANDS (NN=QUEUE TAG) |
| 4E | 00 | OVAERLAPPED COMMANDS ATTEMPTED |

| | | |
|----|----|-------------------------------------------------------------------------|
| 51 | 00 | ERASE FAILURE |
| 51 | 01 | ERASE FAILURE - Incomplete erase operation detected |
| 53 | 00 | MEDIA LOAD OR EJECT FAILED |
| 53 | 02 | MEDIUM REMOVAL PREVENTED |
| 55 | 00 | SYSTEM RESOURCE FAILURE |
| 57 | 00 | UNABLE TO RECOVER TABLE-OF-CONTENTS |
| 5A | 00 | OPERATOR REQUEST OR STATE CHANGE INPUT |
| 5A | 01 | OPERATOR MEDIUM REMOVAL REQUEST |
| 5A | 02 | OPERATOR SELECTED WRITE PROTECT |
| 5A | 03 | OPERATOR SELECTED WRITE PERMIT |
| 5B | 00 | LOG EXCEPTION |
| 5B | 01 | THRESHOLD CONDITION MET |
| 5B | 02 | LOG COUNTER AT MAXIMUM |
| 5B | 03 | LOG LIST CODES EXHAUSTED |
| 5D | 00 | FAILURE PREDICTION THRESHOLD EXCEEDED - |
| 5D | 01 | FAILURE PREDICTION THRESHOLD EXCEEDED - Predicted Media Failure |
| 5D | 03 | FAILURE PREDICTION THRESHOLD EXCEEDED - Predicted Spare Area Exhaustion |
| 5D | FF | FAILURE PREDICTION THRESHOLD EXCEEDED (FALSE) |
| 5E | 00 | LOW POWER CONDITION ON |
| 5E | 01 | IDLE CONDITION ACTIVATED BY TIMER |
| 5E | 02 | STANDBY CONDITION ACTIVATED BY COMMAND |
| 5E | 03 | IDLE CONDITION ACTIVATED BY COMMAND |
| 5E | 04 | STANDBY CONDITION ACTIVATED BY COMMAND |
| 63 | 00 | END OF USER AREA ENCOUNTERED ON THIS TRACK |
| 64 | 00 | ILLEGAL MODE FOR THIS TRACK |
| 64 | 01 | INVALID PACKET SIZE |
| 65 | 00 | VOLTAGE FAULT |
| 72 | 00 | SESSION FIXATION ERROR |
| 72 | 01 | SESSION FIXATION ERROR WRITING LEAD-IN |
| 72 | 02 | SESSION FIXATION ERROR WRITING LEAD-OUT |
| 72 | 03 | SESSION FIXATION ERROR - INCOMPATIBLE TRACK IN SESSION |
| 72 | 04 | EMPTY OR PARTIALLY WRITTEN RESERVED TRACK |
| 72 | 05 | NO MORE RZONE RESERVATIONS ARE ALLOWED |
| 73 | 00 | CD CONTROL ERROR |
| 73 | 01 | POWER CALIBRATION AREA ALMOST FULL |
| 73 | 02 | POWER CALIBRATION AREA IS FULL |
| 73 | 03 | POWER CALIBRATION AREA ERROR |
| 73 | 04 | PROGRAM MEMORY AREA UPDATE FAILURE |
| 73 | 05 | PROGRAM MEMORY AREA/RMA IS FULL |
| 73 | 06 | PROGRAM MEMORY AREA/RMA IS (almost) FULL |
| B6 | 00 | MEDIA LOAD/EJECT MECHANISM FAILED |
| B9 | 00 | PLAY OPERATION ABORTED |
| 80 | FF | VENDOR SPECIFIC |

Specifications

| | |
|-----------------|---------------------------------------------------------------|
| Recorder Drive: | CD-R/RW Recorder |
| Power Source: | 115V/230V 50-60Hz switchable power supply |
| Weight: | 58 pounds |
| Dimensions: | 7.48" (W) x 16.75" (D) x 24.5" (H) |
| Power supply: | 400W |
| Environment: | Temperature: 40°C (104°F) / 5°C (41°F) Humidity: 20% - 80% |

Supported Formats

| | | |
|------------------------------|----|-----------------------------------------------------------------------------------------------------|
| Recording format | CD | CD-ROM Mode 1, CD-ROM XA Mode 2 (form 1, form 2), Photo CD, CD-DA (Audio CD), CD-Extra, CD-R, CD-RW |
| Recording capacity (nominal) | CD | 700MB |
| Applicable media | CD | CD-R, CD-RW |

Firmware Updates

Occasionally it may be necessary to load updated firmware on to the CWT Series duplicator. Only those firmware versions recommended and provided by Microboards Technical Support for this specific product should be installed. Installation of an incorrect firmware on any Microboards Technology product may result in any remaining warranty being voided.

Technical Support

For technical questions or support issues, contact Microboards Technology technical support:

United States
 PH: 952-556-1639
 FAX: 952-556-1628
support@microboards.com
www.microboards.com

Europe
 PH: +44 (0) 845 230 7800
www.microboards.co.uk

Japan
 PH: 03-3561-2266
www.microboards.co.jp

Please have the Model and Serial Number of your duplicator available when contacting Technical Support.



Any unauthorized modification to this equipment may result in the revocation by the FCC of the user's authority to operate this equipment.

NOTE: This equipment has been tested and found to comply with the limits for a Class B digital device, pursuant to Part 15 of the FCC Rules. These limits are designed to provide reasonable protection against harmful interference in a residential installation. This equipment generates, uses, and can radiate radio frequency energy and, if not installed and used in accordance with the instructions, may cause harmful interference to radio communications. However, there is no guarantee that interference will not occur in a particular installation. If this equipment does cause harmful interference to radio or television reception, which can be determined by turning the equipment off and on, the user is encouraged to try to correct the interference by one or more of the following measures:

- Reorient or relocate the receiving antenna
- Increase the separation between the equipment and antenna
- Connect the equipment into an outlet on a circuit different than that to which the receiver is connected
- Consult the dealer or an experienced radio/TV technician for help



This product is in conformity with the EMC Directive (89/336/EEC) through compliance with the following European standards: EN 55022, EN 55024. The CE mark has been affixed in accordance with the CE Marking Directive 93/68/EEC.

Canadian Department of Communications (DOC) Statement

This Class B digital apparatus complies with the Canadian ICES-003 Issue 4:2004. Cet appareil numérique de la classe B est conforme à la norme NMB-003 du Canada.

Free Manuals Download Website

<http://myh66.com>

<http://usermanuals.us>

<http://www.somanuals.com>

<http://www.4manuals.cc>

<http://www.manual-lib.com>

<http://www.404manual.com>

<http://www.luxmanual.com>

<http://aubethermostatmanual.com>

Golf course search by state

<http://golfingnear.com>

Email search by domain

<http://emailbydomain.com>

Auto manuals search

<http://auto.somanuals.com>

TV manuals search

<http://tv.somanuals.com>