

# ***Parts Manual***

***with Wiring Diagrams***  
***for domestic and standard export ovens***

Serial # Code

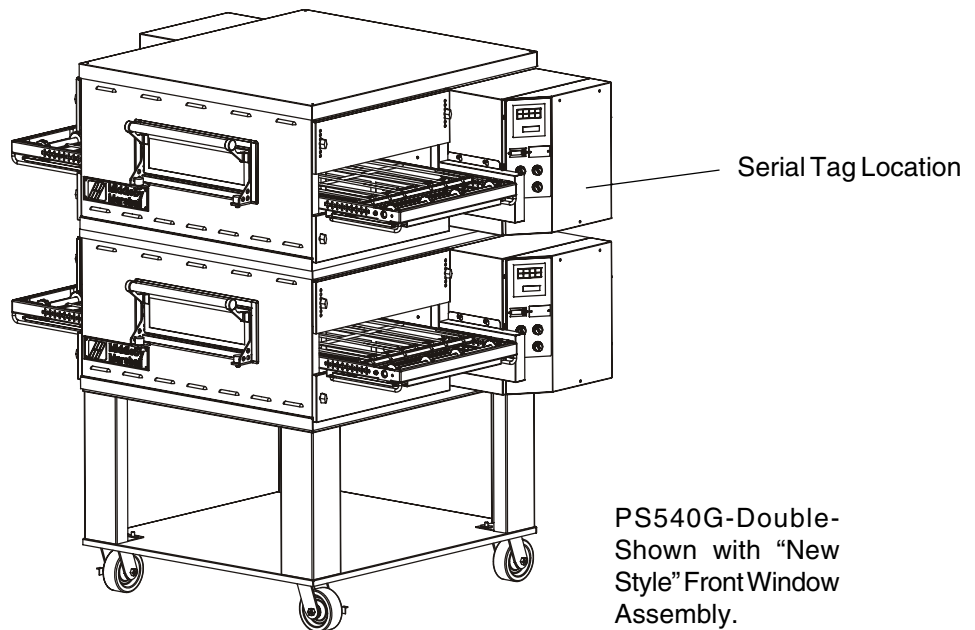
First 4 digits - order of production

Fifth digit - model specific

Sixth and Seventh digit - month of production

Eighth and Ninth digit - year of production

Starting Serial # 000160104 & after



## **Table of Contents: Page 2**



[www.middleby.com](http://www.middleby.com)

email: [techsupport@middleby.com](mailto:techsupport@middleby.com)

1-847-741-3300 fax 1-847-741-4406 (Parts Department)

©2005 Middleby Marshall Inc.

# Table of Contents

Spec Sheet .....	3
Oven and Electrical Specifications .....	6
Key Parts .....	7
View of Oven Panels, Window and Legs (Earlier Production) .....	8
Parts for Oven Panels, Window and Legs (Earlier Production) .....	9
View of Oven Panels, Window and Legs (Later Production) .....	10
Parts for Oven Panels, Window and Legs (Later Production) .....	11
View of Right-hand Control Compartment .....	12
Parts for Right-hand Control Compartment .....	13
View of Blower Area .....	14
Parts for Blower Area .....	15
View of Blower/Motor Compartment .....	16
Parts for Blower/Motor Compartment .....	17
View of Gas Burner & Piping .....	18
Parts for Gas Burner & Piping .....	19
View of "Single" Belt Conveyor .....	20
Parts for "Single" Belt Conveyor .....	21
View of "Split" Belt Conveyor .....	22
Parts for "Split" Belt Conveyor .....	23
PS540G OVEN INSTALLATION KIT .....	24
PS540G Single Oven Option Base Kit .....	25
PS540G Double Oven Option Base Kit .....	26
PS540G Triple Oven Option Base Kit (Outriggers) .....	27
Standard Finger Configuration .....	28
Wiring Diagram, 208-240 volt 50/60 Hz, 1 Phase 3W 50141 Rev. F2 US/UK/CANADA .....	29
Ladder Wiring Diagram, 208-240 volt 50/60 Hz, 1 Phase 3W 50141 Rev. F1 US/UK/CANADA .....	30
Wiring Diagram, 208-240 volt 50/60 Hz, 1 Phase 3W 52059 Rev. D DN .....	31
Wiring Diagram, 208-240 volt 50/60 Hz, 1 Phase 3W 52065 Rev. D DUT .....	32
Wiring Diagram, 208-240 volt 50/60 Hz, 1 Phase 3W 52053 Rev. D FR .....	33
Wiring Diagram, 208-240 volt 50/60 Hz, 1 Phase 3W 52055 Rev. D GM .....	34
Wiring Diagram, 208-240 volt 50/60 Hz, 1 Phase 3W 52067 Rev. D GK .....	35
Wiring Diagram, 208-240 volt 50/60 Hz, 1 Phase 3W 52061 Rev. D IT .....	36
Wiring Diagram, 208-240 volt 50/60 Hz, 1 Phase 3W 52057 Rev. D SP .....	37
Wiring Diagram, 208-240 volt 50/60 Hz, 1 Phase 3W 52063 Rev. D SW .....	38



PS540-1  
with optional  
lower shelf



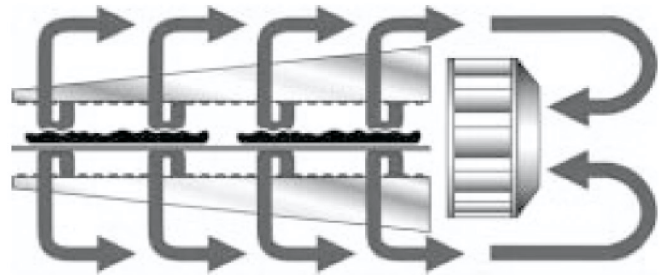
PS540-2



PS540-3

## Principle

Middleby Marshall PS Series Conveyor ovens bake both faster and at a lower temperature than other ovens. Patented vertical columns of hot air move heat aerodynamically instead of using high temperatures. The streams of hot air remove the boundary layers of cool, heavy air which tend to insulate the product. This gives very rapid baking without burning. All Middleby ovens are designed to cook a multitude of products including pizza, seafood, bagels, ethnic foods and more.



## General Information

The PS540 conveyor oven is ideally suited for medium-duty restaurant needs. The oven can cook a wide variety of food products, including pizza, seafood and bagels.

### Standard Features

- Stackable up to three oven cavities high
- **Impingement PLUS!** dual air return
- **EMS Energy Management System\*** reduces gas consumption and increases cooking efficiency
- 40"/1016mm long cooking chamber
- 32"/813mm-wide, 76½"/1943mm long conveyor belt
- Stackable up to three units high
- Patented "Jet Sweep" impingement process delivers constant heat to the cooking chamber
- Microprocessor-controlled bake time/conveyor speed
- Customer-specific adjustable jet fingers allow control of heat delivery
- Stainless steel front, sides and top
- Front-loading window with cool handle
- Reversible conveyor direction

### Optional Features

- Split belt - two 15"/381mm belts with individually-adjustable speed settings
- Lower shelf
- Adjustable legs (replace casters)

### Conserves Energy

Middleby ovens provide very efficient heat transfer to the product. Energy is conserved as air is recycled from heater to product, with minimum vent loss.

### Cleanability

PS540 ovens are designed for easy cleaning. Removable parts include: crumb pans, end panels, air fingers and conveyor belt assembly.

### Easily Serviced

Control compartment is designed for quick and easy access.

### Warranty

All PS540 models have a one year parts and labor warranty. Oven start-up and demonstration are included at no additional charge (USA only).

### Ventilation

For installation under a ventilation hood only.

\* Patent pending

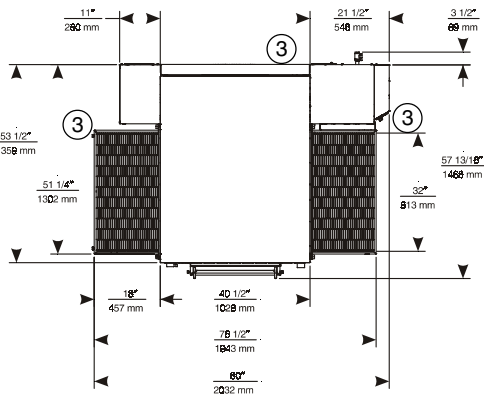
\* Photos show ovens equipped with casters. Adjustable feet are used on CE-approved units and are optional on all versions.



Form 4505



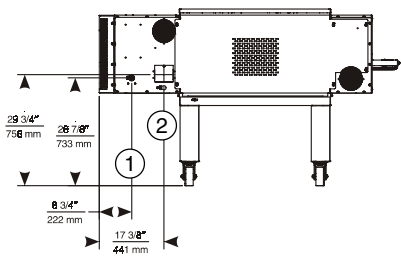
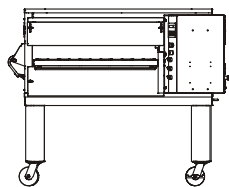
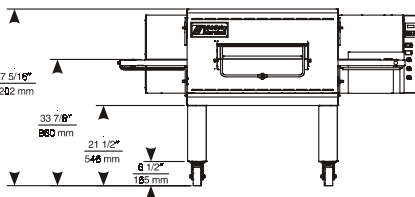
1400 Toastmaster Drive  
Elgin, Illinois 60120 USA  
(847) 741-3300 Fax: (847) 741-0015  
www.middleby.com



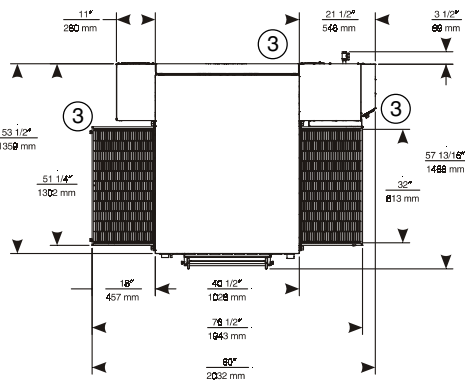
1 GAS INLET

2 ELECTRICAL JUNCTION BOX

3 RECOMMENDED MINIMUM CLEARANCES:  
 Rear of Oven to Wall - 6" (150mm)  
 Non-control End of Oven to Wall - 0"  
 Control End of Oven to Wall - 0"



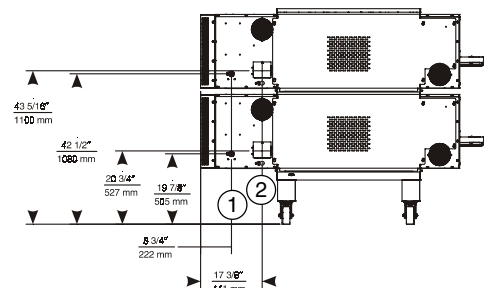
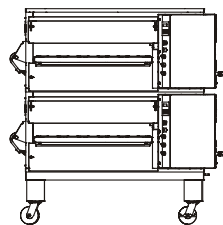
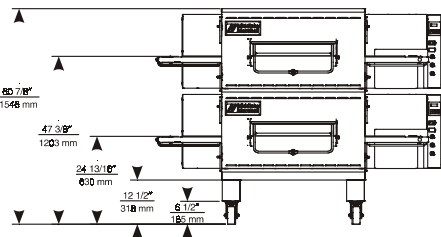
### MODEL PS540 SINGLE OVEN DIMENSIONS



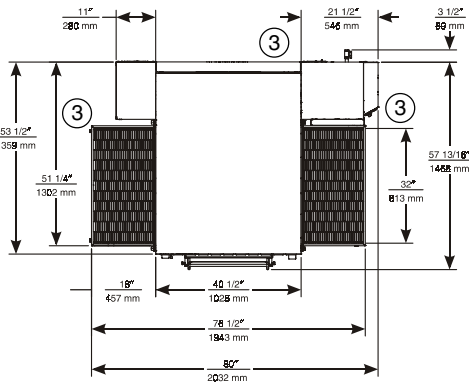
1 GAS INLET

2 ELECTRICAL JUNCTION BOX

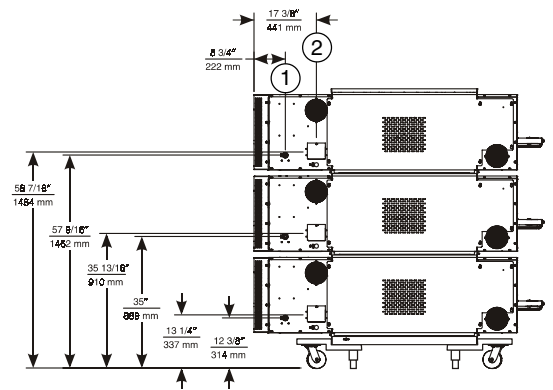
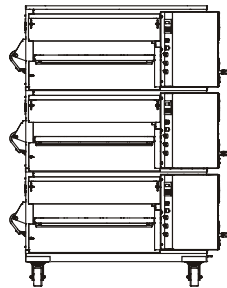
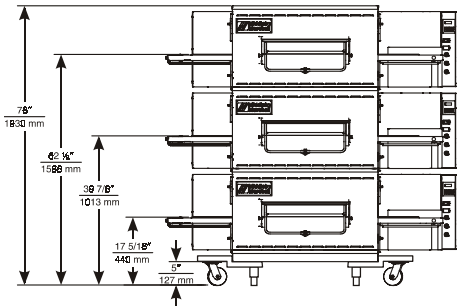
3 RECOMMENDED MINIMUM CLEARANCES:  
 Rear of Oven to Wall - 6" (150mm)  
 Non-control End of Oven to Wall - 0"  
 Control End of Oven to Wall - 0"



### MODEL PS540 DOUBLE OVEN DIMENSIONS



- ① GAS INLET
- ② ELECTRICAL JUNCTION BOX
- ③ RECOMMENDED MINIMUM CLEARANCES:  
Rear of Oven to Wall - 6" (150mm)  
Non-control End of Oven to Wall - 0"  
Control End of Oven to Wall - 0"



**MODEL PS540 TRIPLE OVEN DIMENSIONS**

## PS540 SERIES OVEN SPECIFICATIONS

Conveyor Belt Width	32" (813mm)
Heating Zone Length	40-1/2" (1028mm)
Baking Area Square Feet	9 sq. ft. (0.84 sq. m.)
Overall Dimension Standard Single Oven w/Legs	80" (2032mm) L x 61-5/16" (1557mm) W x 47-5/16" (1202mm) H x
Overall Dimension Double Oven	80" (2032mm) L x 61-5/16" (1557mm) W x 60-15/16" (1548mm) H x
Overall Dimension Triple Oven	80" (2032mm) L x 61-5/16" (1557mm) W x 77-1/2" (1969mm) H x
Weight of Single Oven	925 lb (419kg)
Shipping Weight	1,100 lb (498.3kg)
Shipping Cube	Approx. 132 ft <sup>3</sup> (3.74 m <sup>3</sup> )
Operating Range	110,000 BTU/hr (116.0 MJ/h) (27,720 kcal) (32.2 kW/hr)
Maximum Operating Temperature	550°F (287°C)
Warm-up Time	10 min.
Gas Oven Inlet Line Size	3/4" (19mm) ID for each oven
Minimum Gas Meter Rating	450 cu.ft./hr. (12.74m <sup>3</sup> /h) for 1 to 2 ovens Add 180 cu.ft./hr (5.1m <sup>3</sup> /h) for each additional oven
Minimum Gas Pipe Size Natural (must be dedicated line) Propane (must be dedicated line)	2" (51mm) ID for 1, 2, or 3 ovens 2" (51mm) ID for 1, 2, or 3 ovens
Gas Pressure Natural Propane	6" to 12" Water Column (13.8 to 29.9 mbar) 11.5" to 12" Water Column (28.7 to 29.9 mbar)
Gas Valve	0.75" (19mm) ID full-flow, gas, shutoff valve installed in oven inlet gas line. A separate connection and valve must be provided for each oven.
Recirculating Air Fan	One fan at 2300 RPM
Air Velocity	3000 fpm (1524 cm/sec) (Average)
Bake Time	3 min. 0 sec. Bake Time minimum 30 min. 0 sec. Bake Time maximum

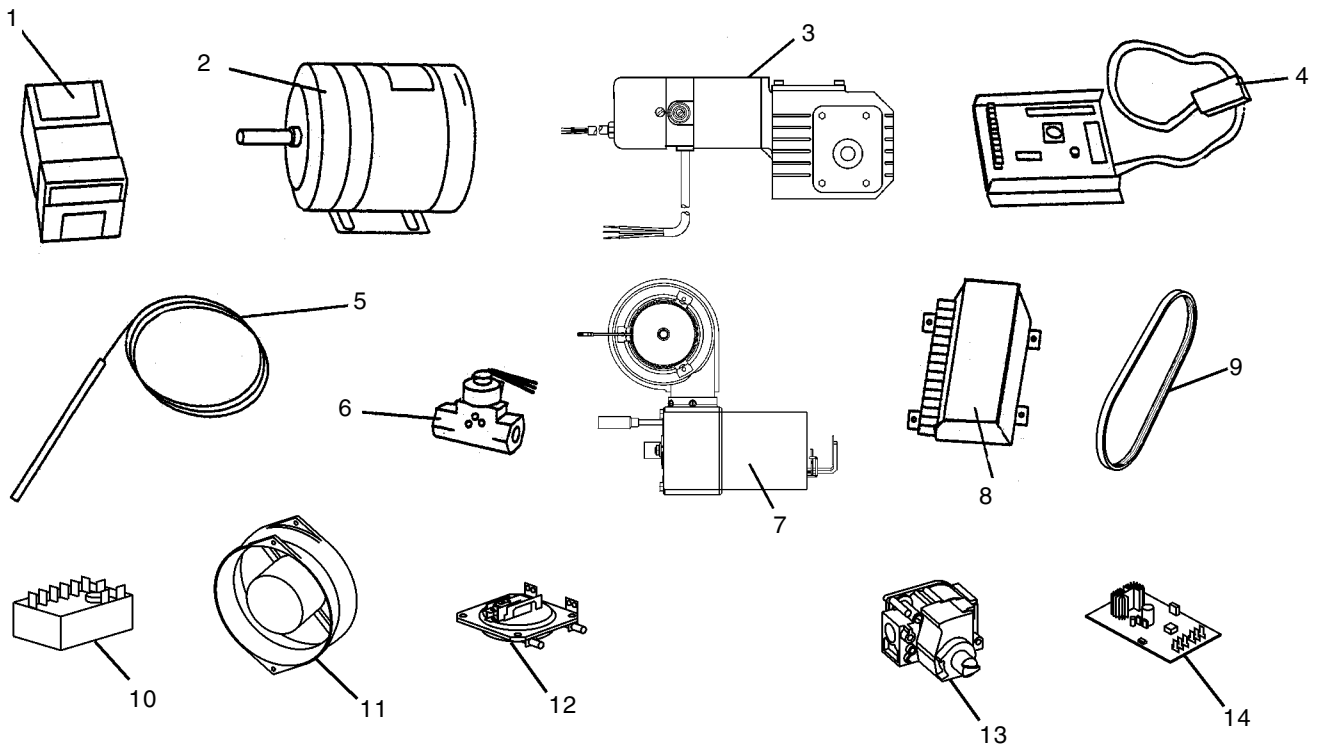
## SERIES PS540 ELECTRICAL SPECIFICATIONS

Main Blower & Elements Voltage	Control Circuit Voltage	Phase	Frequency	Amperage Draw	Poles	Wires
208-240V	208-240V	1 Ph	50/60 Hz	4.1 Amp	3 Pole	3 Wire (2 hot, 1 grd)

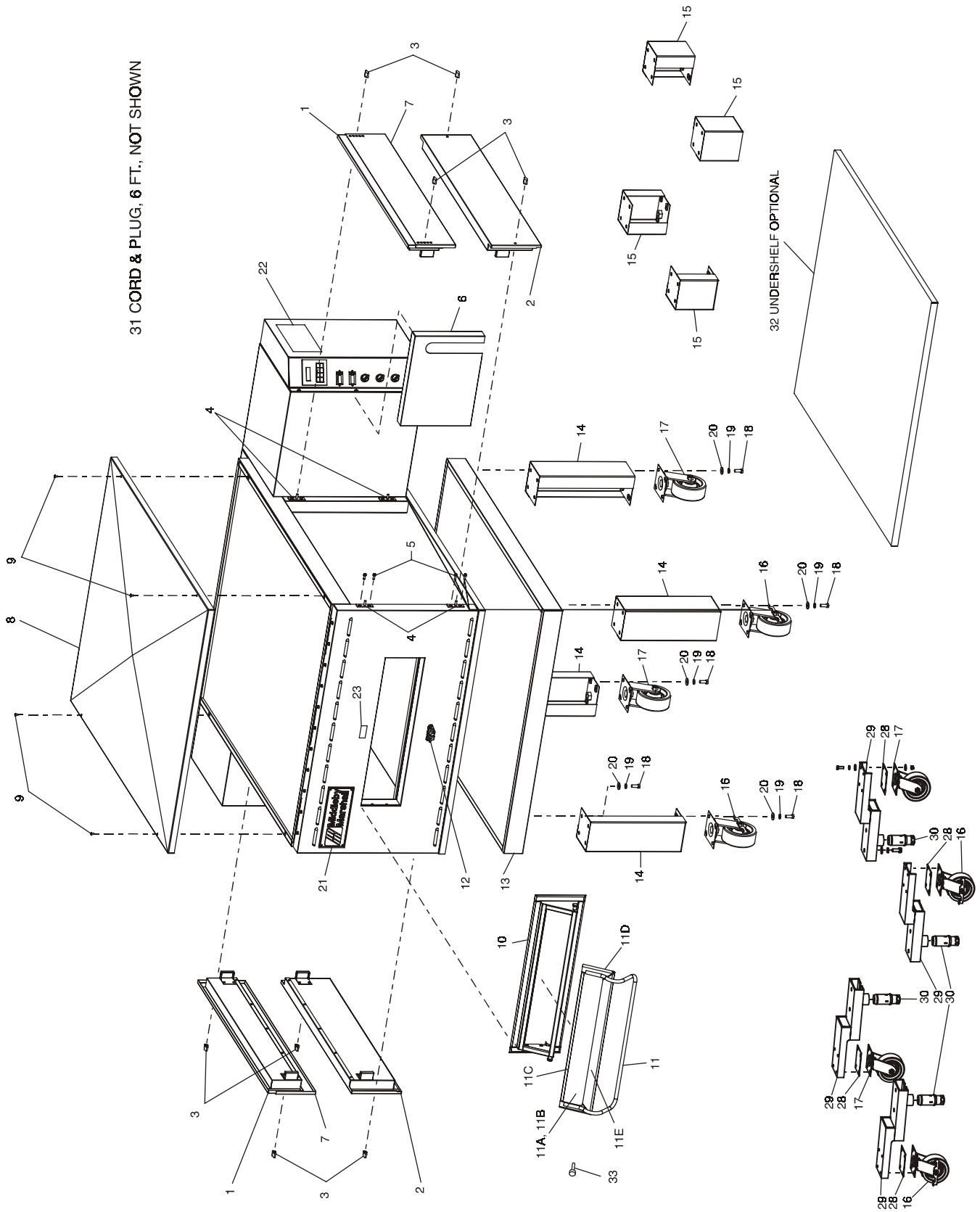
# KEY PARTS

## PS540-SERIES GAS OVEN KEY PARTS

ITEM	PART NO.	ENGLISH DESCRIPTION	QUANTITY
1	58504	Temperature Controller	1
2	44687	Blower/Fan Motor	1
3	47797	Conveyor Drive Motor, Standard Speed	1 or 2
3A	47799	Conveyor Drive Motor, High Speed	1 or 2
3B	45017	Kit, Brushes, Springs & Caps	1
3C	50265	Pickup, Sensor	1
4	58323	Conveyor Speed Control	1
5	33812-3	Thermocouple	3
6	41647	Modulating Gas Valve	1
7	50275	Burner & Motor Assembly	1
8	50239	Ignition Control Module (kit)	1
9	See RPM Kit	Blower Belt, page 17	1
10	33983	High Limit Control Module	1
11	36451	Cooling Fan	2
12	50610	Air Switch	2
13	50274	Control Valve, Gas, 1/2"	1
14	31651	Signal Amplifier	1



# View of OVEN PANELS, WINDOW (EARLIER PRODUCTION) AND LEGS

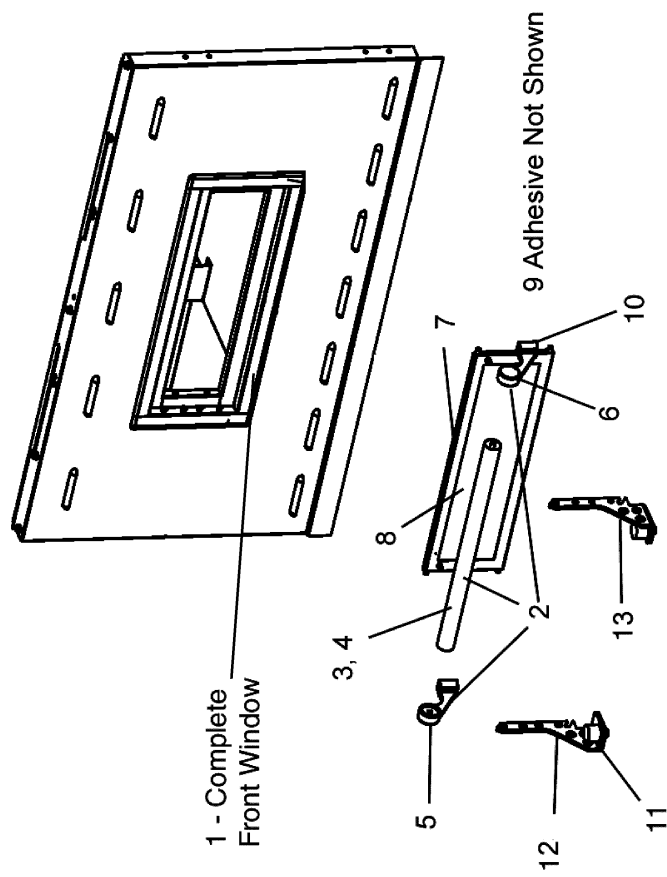




## Parts for OVEN PANELS, WINDOW (EARLIER PRODUCTION) AND LEGS

ITEM	QTY.	P/N	DESCRIPTION
1	2	49947	UPPER END PLUG ASSEMBLY, INCLUDES ITEM 7
2	2	49946	LOWER END PLUG ASSEMBLY
3	8	36452	WING NUT, PLASTIC 1/4-20
4	8	45449	END PLUG MOUNTING PLATE ASSEMBLY
5	16	21296-0005	SCREW, HEX WSHHD 12-14 x 3/4", SS BSD
6	1	51094	CONVEYOR CHAIN COVER
7	2	50637	EYEBROW, ADJUSTABLE
8	1	35900-0011	COVER, TOP
9	4	21256-0008	SCREW, 10-32 x 3/8" 18-8 SL TRUS S
10	1	37900-0103	WINDOW MOUNTING FRAME WELDMENT (EARLIER MODELS)
11	1	30285	GLASS DOOR ASSEMBLY (EARLIER MODELS)
11A	1	22140-0017	GLASS, 23-1/8" x 4-1/4"
11B	1	17130-0006	SEALANT
11C	1	30286	TOP FRAME
11D	1	30287	FRAME WITH HANDLE
11E	1	33300-0273	TUBE, HINGE
12	1	42400-0087	WINDOW LATCH ASSEMBLY (EARLIER MODELS)
13	1	54606	COMPLETE BASE WELDMENT
14	4	37900-0024	LEG TOP PLATE WELDMENT, 15" TALL
15	4	37900-0102	LEG 6" H TOP PLATE WELDMENT, 6" TALL
16	2	22290-0009	CASTER, SWVL W/BRAKE FLAT PLATE
17	2	22290-0010	CASTER SWVL FLAT PLATE
18	A/R	220373	SCREW, HEX HEAD, 3/8" - 16 x 1" SST
19	A/R	21422-0001	WASHER, LOCK SPLIT 3/8"
20	A/R	21416-0001	FLAT WASHER, 3/8" ZP
21	1	45739	NAME PLATE, MIDDLEBY
28	4	45205	QUAD CASTER SPACER
29	4	45209	QUAD OUTER RIGGER WELDMENT
30	4	45206	QUAD ADJUSTMENT FOOT INSERT
31A	1	49975	CORD & PLUG, 6-20P, 6' LONG, U.S.
31B	1	49976	CORD & PLUG, OVERSEAS, CE
32	1	58705	UNDERSHELF (OPTIONAL)
33	2	34121-0003	SCREW, THUMB PIVOT

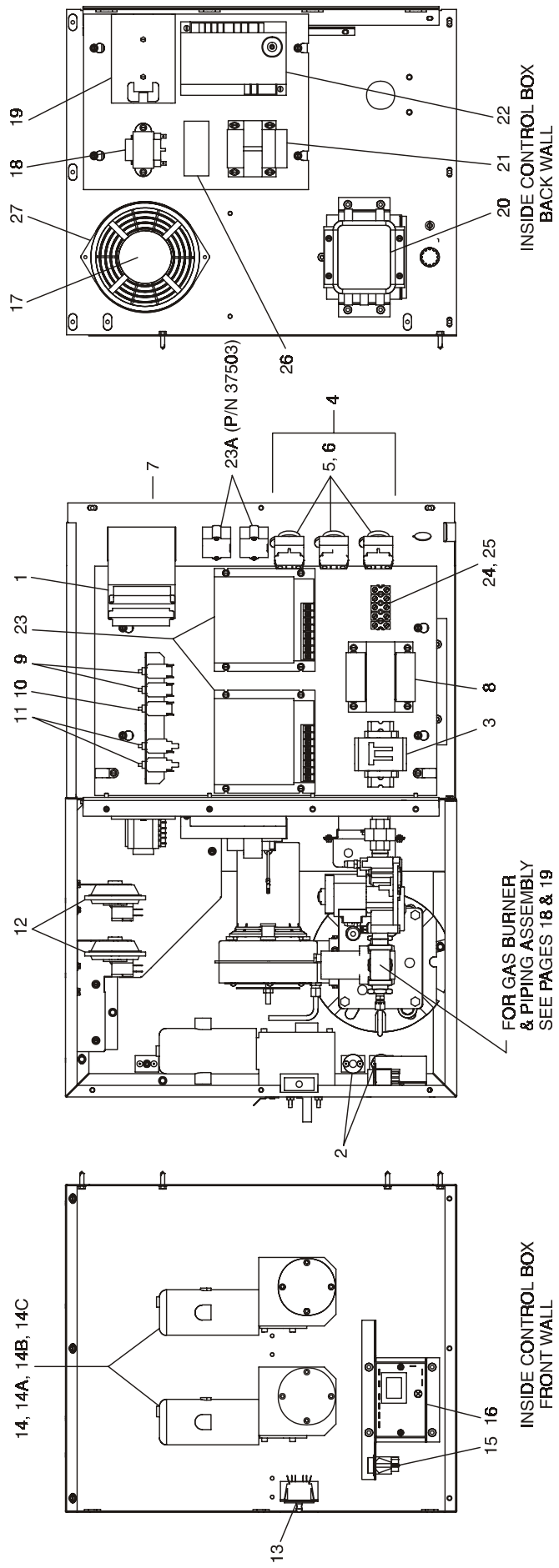
View of WINDOW—Later Production (Front Window Change Used After March, 2004)



**Parts for WINDOW—Later Production (Front Window Change Used After March, 2004)**

<b>ITEM QTY.</b>	<b>P/N</b>	<b>DESCRIPTION</b>
1	51054	ASSEMBLY, WINDOW, w/HANDLE, ITEMS 1-10
2	51081	ASSEMBLY, HANDLE, ITEMS 3-6
3	M10092	HANDLE, OUTER
4	M10127	HANDLE, INNER THREADED
5	M1115	HANDLE, BRACKET (LEFT)
6	M1116	HANDLE, BRACKET (RIGHT)
7	51087	FRAME AND WINDOW, ITEMS 8-9
8	M10198	GLASS, 4.1" X 15.150"
9	M1965	ADHESIVE (NOT SHOWN)
10	M1118	SCREW—ATTACHES HANDLE
11	30927	BUMPER
12	51210	BRACKET, WINDOW HINGE (LEFT)
13	51211	BRACKET, WINDOW HINGE (RIGHT)

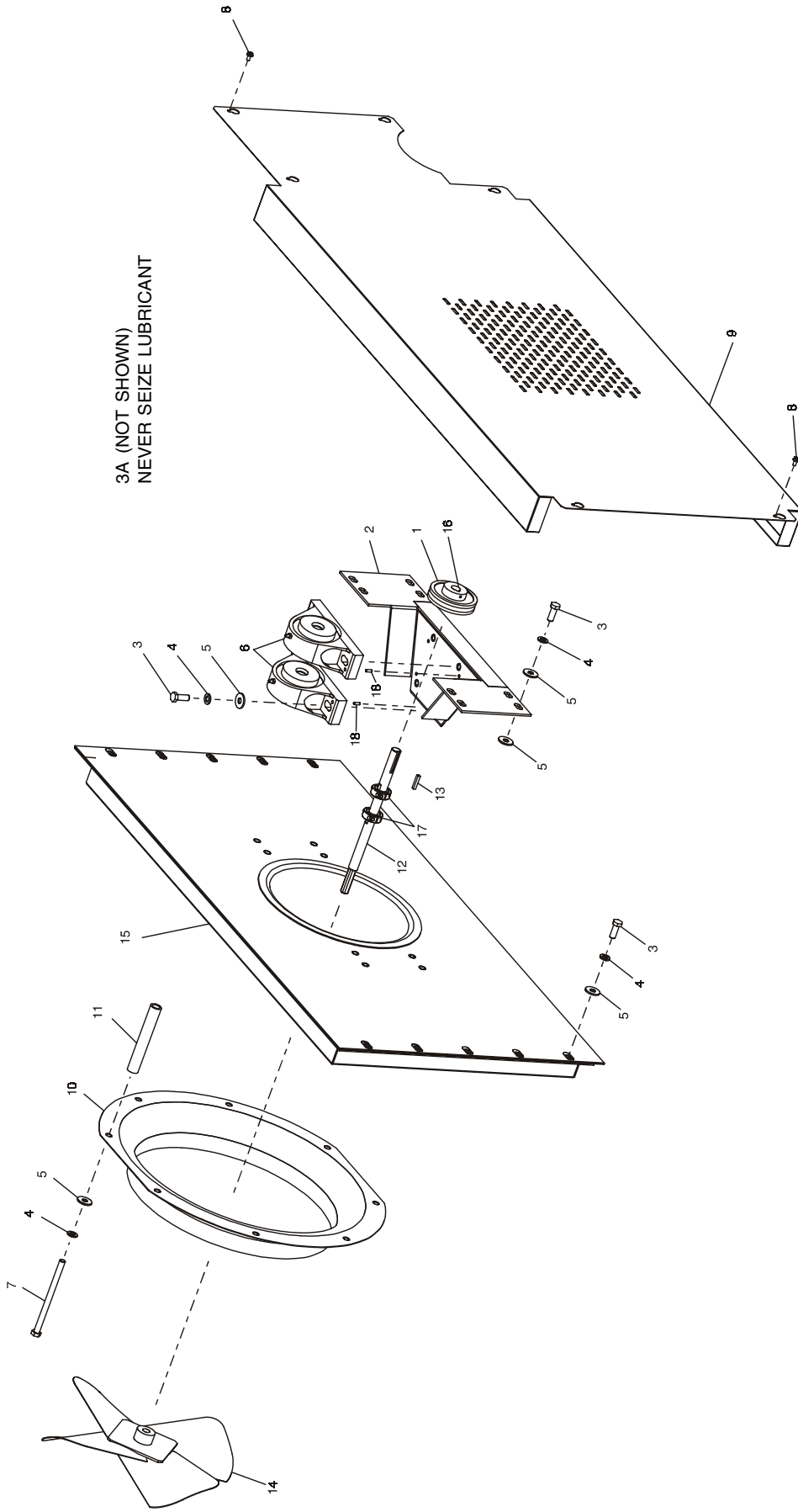
# View of RIGHT-HAND CONTROL COMPARTMENT



## Parts for RIGHT-HAND CONTROL COMPARTMENT

ITEM	QTY.	P/N	DESCRIPTION
1	1	58504	TEMPERATURE CONTROL
2	2	33812-3	THERMOCOUPLE, TYPE J SHIELDED 9.50 x 60"
3	1	28041-0011	CONTACTOR, 208/240V
4	3	46521	KIT, BLOWER SWITCH CONTAINS ((1) 44697, (1) 44696)
5	3	44697	CONTACT BLOCK
6	3	44696	SELECTOR SWITCH
8	1	31504	TRANSFORMER, 230V (P)/120V (S) 200VA
9	2	45036	CIRCUIT BREAKER, 240V 3A
10	1	45644	CIRCUIT BREAKER, 240V 1A
11	2	46831	CIRCUIT BREAKER, 240V 8A
12	2	50610	AIR SWITCH, 0.16" WC
13	1	28021-0047	INTERLOCK SWITCH, 10A NO2P
14	A/R	47797	MOTOR, GEAR 1/50HP 1350:1, STANDARD
14A	A/R	47799	MOTOR, HIGH SPEED OPTION 311:1
14B	A/R	50265	SENSOR, PICKUP
14C	A/R	45017	KIT, BRUSHES, SPRINGS AND CAPS
15	1	35145	SWITCH, PB MOLVENO 250V, RESET, 1/30 HP, 311:1
16	1	33983	ELECTRIC HI-LIMIT CONTROL, 240V
17	1	36451	COOLING FAN, 230V AC
18	1	41872	TRANSFORMER, 240V (P)/24V (S) 25VA
19	1	31651	SIGNAL AMPLIFIER, 4-20VDC
20	1	33813	RFI FILTER, TYPE F1780DD20
21	1	32108	TRANSFORMER, 240V (P)/24V (S) 65VA
22	1	50239	SPARK IGNITION MODULE, 24VAC 50/60Hz
23	1(2)	58323	CONVEYOR SPEED CONTROL W/DIGITAL SPEED DISPLAY
23A	1(2)	37503	DIGITAL SPEED CONTROL (DISPLAY ONLY)
24	1	44390	TERMINAL BLOCK, MAIN POWER, 3-POLE, 50A, 600V
25	1	39258	TERMINAL BLOCK, MAIN POWER, 5-POLE, 50A, 600V
26	1	50794	RELAY, 24V, GAS TRAIN
27	1	31497	FINGER GUARD

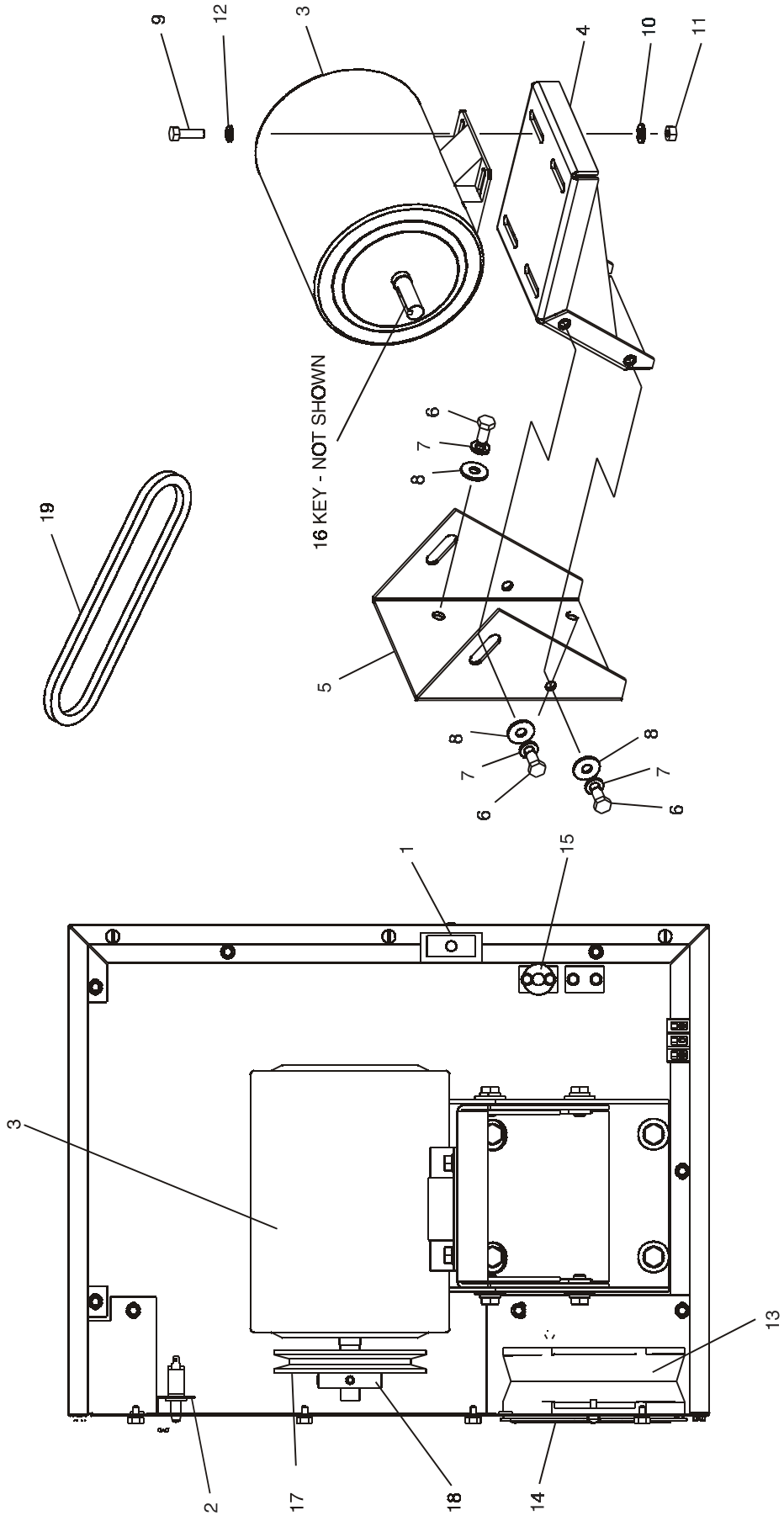
# View of BLOWER AREA



## Parts for BLOWER AREA

ITEM	QTY.	P/N	DESCRIPTION
1	1	51157	PULLEY, 1GRV 3.0PD AK32H, 3.25" DIA.
2	1	48855	WELDMENT, BRG BRACKET PS540G
3	22	220373	SCREW, HH 3/8" - 16 x 1" SS T
3A	AVR	17110-0017	NEVER SEIZE LUBRICANT - USED ON ITEMS 3 & 7 APPLIED TO THREADS BEFORE REINSTALLING
4	AVR	A11039	SPLIT LOCK WASHER 3/8" ZP
5	AVR	21416-0001	FLAT WASHER 3/8" SS
6	2	22072-0025	BEARING, PILLOW BLOCK 5/8"
7	8	21326-0002	SCREW, HX HD GRS 3/8" - 16 x 5-1/2"
8	6	2000203	SCREW ,HX W/HD 10 - 32 x 3/8" ZC
9	1	48872	BACK WALL SHROUD
10	1	48803	AIR INLET RING
11	8	35900-0108	FAN ORIFICE STAND OFF TUBE
12	1	50643	FAN DRIVE SHAFT
13	1	21651-0010	KEY, SQ 3/16" x 3/16" x 1.00" STL
14	1	48862	AXIAL FAN, 14" DIAMETER
15	1	51110	INR/OTR BACK WELDMENT
16	1	50222	SPECIAL BUSHING, 5/8" ID - 3/16" x 3/32" KEY
17	2	35323	COUPLING, COLLAR SPLIT 5/8" DIAMETER
18	4	50271	ROLL PIN, PLN 5/32" x 7/16"

View of BLOWER/MOTOR COMPARTMENT





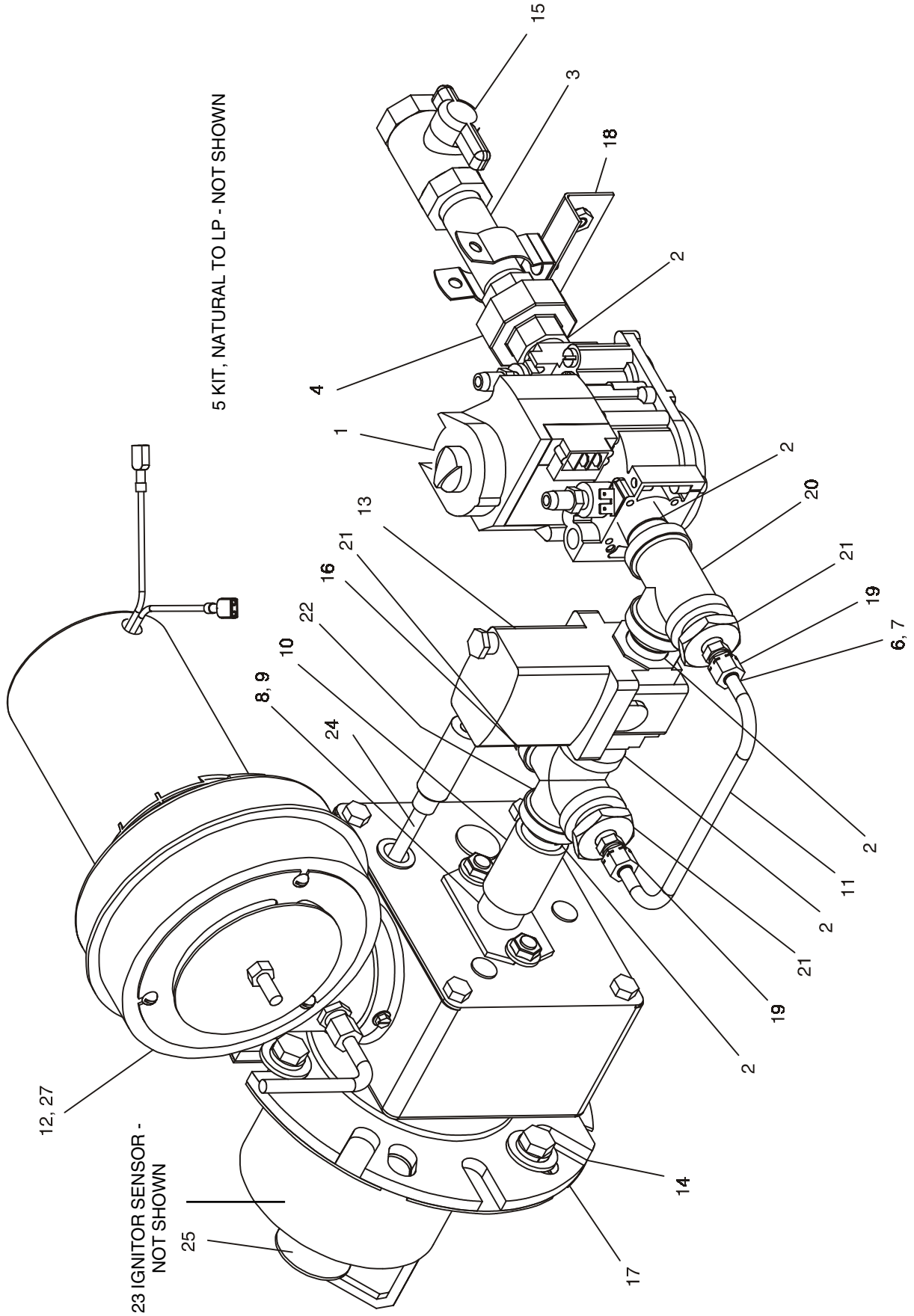
## Parts for BLOWER/MOTOR COMPARTMENT

ITEM	QTY.	P/N	DESCRIPTION
1	1	28021-0047	INTERLOCKSWITCH10ANO2P
2	1	28021-0061	MOMENTARY SWITCH - 10ANO2POLE
3	1	44687	MOTOR1/2HP
4	1	49953	MOTORMOUNTINGBRACKETWELDMENT
5	1	50449	MOTORSUPPORTBRACKET
6	8	1513D8805	SCREW, HEX HD 3/8"-16 x 3/4" - NP
7	8	21422-0001	LOCKWASHER, SPLIT 3/8" ZP
8	8	21416-0001	FLAT WASHER S 3/8"
9	4	A3896	MACHINESCREW, HEX HD 5/16"-18 x 1" 18-8
10	4	3023A8807	FLAT WASHER 5/16" SAENP
11	4	21126-0004	HEX NUT S 5/16-18
12	4	21421-0004	LOCK WASHER 5/16"
13	1	36451	COOLING FAN 230V AC
14	1	31497	FINGER COOLING FANGUARD
15	1	33812-3	THERMOCOUPLE, TYPE "J" SHIELDED 9.50 x 60" (TEMP CONTROL)
16	1	21651-0010	KEY - MOTOR, 3/16" X 3/16" X 1"
17	1	SEE CHART	MOTOR, PULLEY
18	1	SEE CHART	BUSHING, SPLIT
19	1	SEE CHART	BELT, GRIP NOTCH

RPM KIT P/N	HERTZ	MOTOR PULLEY W/SPLIT BUSHING	MTR PULLEY P/N SPLIT BUSH P/N	BELT SIZE DESCRIPTION	BELT P/N	RPM OF FAN
50545	50	AK51H PULLEY, 4.95" H 5/8 SPLIT BUSHING	51161 50222	AX63	34259	2300
51079	50	AK46H PULLEY, 4.45" H 5/8 SPLIT BUSHING	51160 50222	AX62	50584	2040
50544 STANDARD	60	AK44H PULLEY, 4.25" H 5/8 SPLIT BUSHING	51159 50222	AX61	50450	2300
51077 OPTIONAL SLOWBRAKE	60	AK39H PULLEY, 3.75" H 5/8 SPLIT BUSHING	51158 50222	AX61	50450	2050
51403	50	AK56H PULLEY, 5.45" H 5/8 SPLIT BUSHING	51404 50222	AX62	50584	2485

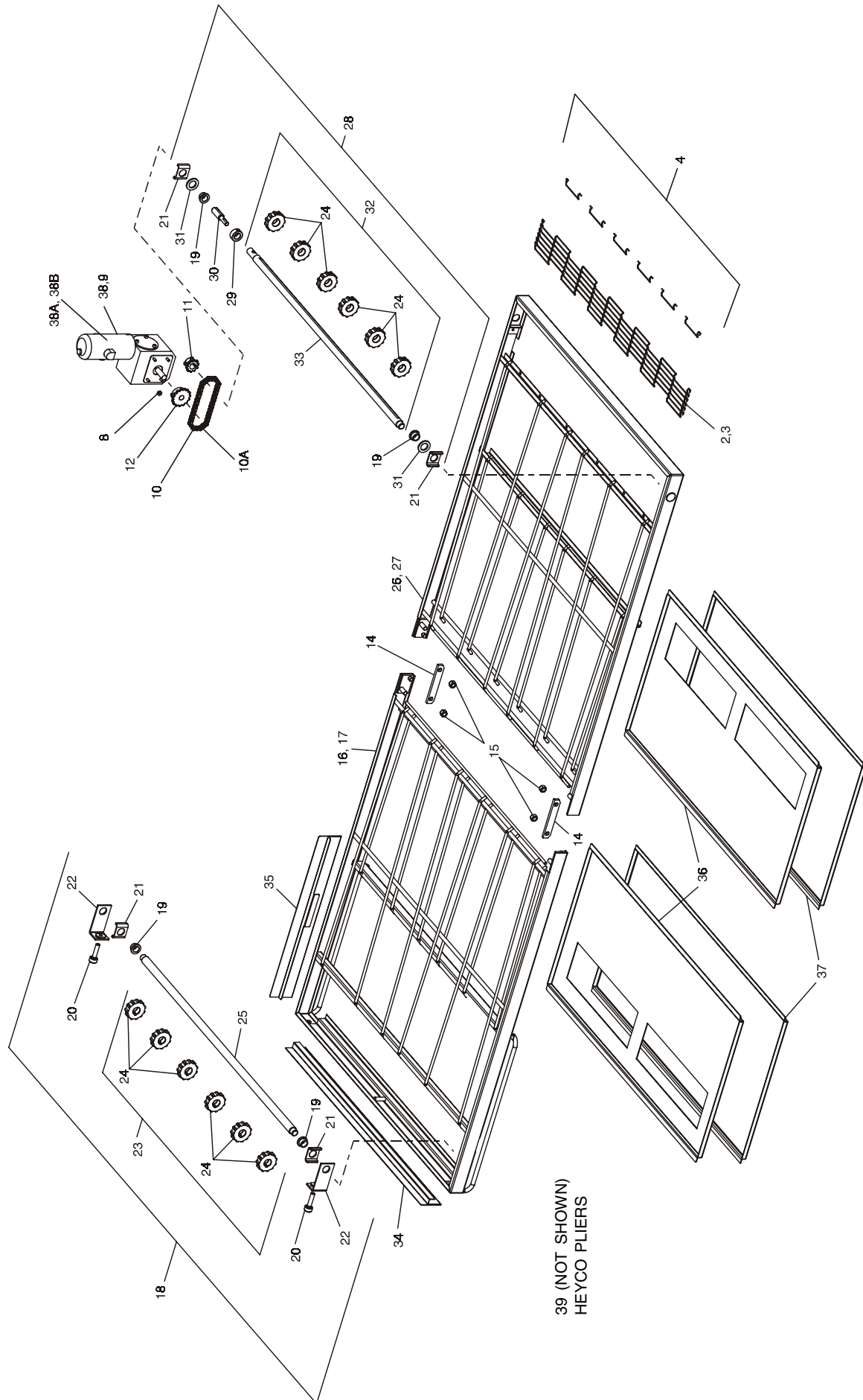
# View of GAS BURNER AND PIPING ASSEMBLY



## Parts for GAS BURNER AND PIPING ASSEMBLY

ITEM	QTY.	P/N	DESCRIPTION
1	1	50274	1/2" GAS CONTROL VALVE (Conversion Required for Propane)
1A	1	28092-0018	VALVE KIT CONVERT FROM NATURAL GAS TO PROPANE
1B	1	28092-0019	VALVE KIT CONVERT FROM PROPANE TO NATURAL GAS
2	5	23153-0004	1/2" CLOSE NIPPLE - BLK
3	1	23151-0032	1/2" x 3" NIPPLE - BLK
4	1	23051-0003	1/2" PIPE UNION
5	1	50543	NATURAL TO PROPANE CONVERSION KIT, PS540 (NOT SHOWN) (INCLUDES ITEMS 1A, 6 AND 9)
6	1	22174-0006	ORIFICE #53 DRILL BY-PASS - PROPANE (.059)
7	1	50273	ORIFICE #40 DRILL BY-PASS - NATURAL (.098)
8	1	50640	ORIFICE #43 DRILL, MAIN BURNER - NATURAL (.1935") PS540
9	1	50641	ORIFICE #30 DRILL, MAIN BURNER - PROPANE (.120") PS540
10	1	23015-0004	1/2" COUPLING NPT
11	1	50268	1/4" TUBE, BY-PASS
12	1	50275	GAS BURNER ASSEMBLY
13	1	41647	VALVE, MODULATING, 1/2"
14	1	22550-0006	FLANGE, BURNER
15	1	23115-0009	VALVE, GAS SHUTOFF 1/2" x 1/2"
16	1	30002	PLUG, 1/8 NPT
17	1	36937	GASKET
18	1	37000-0781	ASSY, PIPE CLAMP
19	2	44888	FITTING, COMPRESSION
20	1	45667	TEE, PIPE 1/2" x 1/2" x 1/2"
21	3	48742	BUSHING, REDUCER
22	1	50266	CROSS, PIPE 1/2" x 1/2"
23	1	55091	IGNITOR (SENSOR)
24	1	58827	IGNITION CABLE
25	1	58828	TARGET AND VENTURE
26	2	Contact Factory	PRESSURE TAP
27	1	38811	BURNER/BLOWER MOTOR

# View of "Single" Belt Conveyor

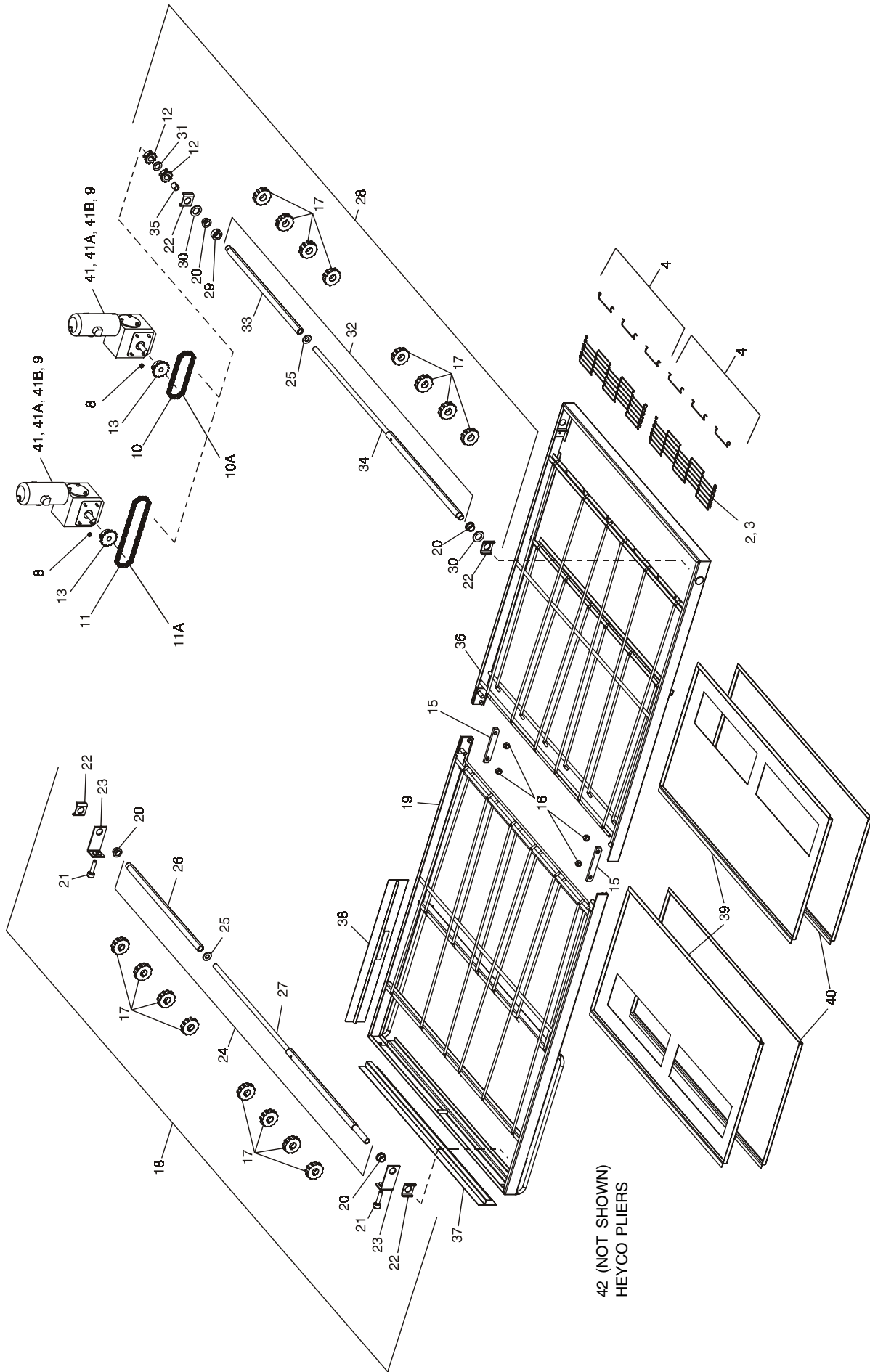


39 (NOT SHOWN)  
HEYCO PLIERS

## Parts for "Single" Belt Conveyor

ITEM	QTY.	P/N	DESCRIPTION	ITEM	QTY.	P/N	DESCRIPTION
2	1	22450-0225	CONVEYOR BELT, 1/2P 32" x 204" 2.84/11 S	24	12	22229-0003	CONVEYOR DRIVE SPROCKET 2.0" OD W/SCREW
3	AVR	33900-0032	CONVEYOR CHAIN, SS WIRE 1 FT	25	1	35000-1011	IDLER SHAFT - CONVEYOR
4	1	51380	KIT, MASTER LINK, CONTAINS ((1) 33900-0016, (4) 33900-0017, (1) 33900-0018)	26	1	54961	CONVEYOR FRAME ASSEMBLY - DRIVE INCLUDES ITEMS 27 & 28
8	4	2001371	NUT, KEPS 10-32, ZP	27	1	54960	COMPLETE CONVEYOR FRAME WELDMENT - DRIVE
9	1	50265	CONVEYOR CONTROL PICKUP KIT (NOT SHOWN)	28	1	54948	DRIVE SIDE ASSEMBLY - CONVEYOR INCLUDES ITEMS 19, 21, 29, 30, 31 & 32
10	1	49400-0050	ROLLER CHAIN ASSEMBLY, W/MASTER LINK	29	1	22011-0013	SHAFT COLLAR W/SCREW
10A	1	22273-0002	MASTER LINK	30	1	35000-1013	DRIVE SHAFT ADAPTER
11	1	22151-0002	SPROCKET, #35-10T-5/8"-SHAFT	31	2	35000-1080	NYLON SPACER 3/4" ID 1-1/4" OD
12	1	22151-0003	SPROCKET, #35-15T-1/2"-MOTOR	32	1	49400-0012	DRIVE SHAFT ASSEMBLY INCLUDES ITEMS 24 & 33
14	2	35900-0398	PIVOT PLATE - CONVEYOR FRAME	33	1	35000-1012	DRIVE SHAFT - CONVEYOR
15	4	21176-0002	LOCKNUT, HEX SS 3/8"-16	34	1	55027	STOP, SIDE END CONVEYOR EXT
16	1	54975	CONVEYOR FRAME ASSEMBLY - IDLER INCLUDES ITEMS 17 & 18	35	1	55028	STOP, BACK SIDE CONVEYOR EXT
17	1	54974	COMPLETE CONVEYOR FRAME WELDMENT - IDLER	36	2	35900-0255	CRUMB PAN W/SLOTS - CONVEYOR - STANDARD
18	1	54970	IDLER SIDE ASSEMBLY - CONVEYOR INCLUDES ITEMS 19, 20, 21, 22 & 23	37	2	35900-0305	CRUMB PAN - CONVEYOR - SOLID
19	4	22034-0003	BUSHING, FLANGE 3/4" OD, x 5/8" ID N/D	38	1 OR 2	47797	MOTOR, GEAR 1/50HP 1350:1, STANDARD MOTOR
20	2	35000-1008	SCREW, ADJ - CONVEYOR IDLER	38A	1 OR 2	47799	MOTOR, GEAR 1/30HP 31:1:1, HIGH SPEED
21	4	54947	CONVEYOR SHAFT SUPPORT BRACKET	38B	1 OR 2	45017	KIT, BRUSHES, SPRINGS, AND CAPS
22	2	37000-0413	IDLER SHAFT SUPPORT BRACKET	39	1	50795	HEYCO PLIERS, REMOVES STRAIN RELIEF ON PICK-UP, GEAR MOTOR
23	1	49400-0014	IDLER SHAFT ASSEMBLY INCLUDES ITEMS 24 & 25				

# View of "Split" Belt Conveyor



## Parts for "Split" Belt Conveyor

ITEM	QTY.	P/N	DESCRIPTION	ITEM	QTY.	P/N	DESCRIPTION
2	2	22450-0226	CONVEYOR BELT, 1/2P 15" x 146" 2.86/5 SP	23	2	37000-0413	IDLER WELDMENT
3	A/R	33900-0037	CONVEYOR CHAIN, SS WIRE 1 FT	24	1	35525	IDLER SHAFT ASSEMBLY, SPB INCLUDES ITEMS 25, 26 & 27
4	2	51382	KIT, MASTER LINK, CONTAINS ((1) 33900-0016, (1) 33900-0017, (1) 33900-0018)	25	2	21415-0001	FLAT WASHER, BRONZE
8	8	2001371	NUT, KEPS 10-32, ZP	26	1	35000-1535	REAR CONVEYOR IDLER SHAFT, 16-3/8"
9	2	50265	CONVEYOR CONTROL PICKUP KIT (NOT SHOWN)	27	1	42400-0354	FRONT CONVEYOR IDLER SHAFT ASSEMBLY, 33"
10	1	49400-0070	ROLLER CHAIN ASSEMBLY, SPB 15"	28	1	54986	CONVEYOR FRAME-DRIVE ASSY, SPB INCLUDES ITEMS 12, 17, 20, 22, 29, 30, 31, 32, 35 & 36
10A	1	22273-0003	MASTER LINK	29	1	22011-0014	SPLIT-SHAFT COLLAR
11	1	49400-0051	ROLLER CHAIN ASSEMBLY, SPB 26-1/2"	30	2	35000-1080	NYLON SPACER 3/4" ID 1-1/4" OD
11A	1	22273-0003	MASTER LINK	31	1	35000-1531	NYLON SPACER
12	2	22159-0003	SPROCKET, #25-20T-5/8" - SHAFT	32	1	35524	DRIVE SHAFT ASSEMBLY, SPB INCLUDES ITEMS 33 & 34
13	2	22159-0004	SPROCKET, #25-30T-1/2" - MOTOR	33	1	35900-0022	REAR CONVEYOR DRIVE SHAFT, 17.62"
15	2	35900-0398	PIVOT PLATE - CONVEYOR FRAME	34	1	49400-0018	FRONT CONVEYOR DRIVE SHAFT, 35"
16	4	21176-0002	LOCKNUT, HEX SS 3/8"-16	35	1	35900-0023	BUSHING, SPROCKET-FRONT DRIVE
17	16	22229-0003	CONVEYOR DRIVE SPROCKET 2.0" OD W/SCREW	36	1	54960	COMPLETE CONVEYOR FRAME- DRIVE WELDMENT
18	1	54987	CONVEYOR FRAME ASSEMBLY - IDLER INCLUDES ITEMS 17, 19, 20, 21, 22, 23 & 24	37	1	55027	STOP, SIDE END CONVEYOR EXT
19	1	54974	COMPLETE CONVEYOR FRAME WELDMENT - IDLER	38	1	55028	STOP, BACK SIDE CONVEYOR EXT
20	4	22034-0003	BUSHING, FLANGE 3/4" OD, x 5/8" ID N/D	39	2	35900-0255	CRUMB PAN W/SLOTS - CONVEYOR
21	2	35000-1008	SCREW, ADJ - CONVEYOR IDLER	40	2	35900-0305	CRUMB PAN - CONVEYOR
22	4	54947	CONVEYOR SHAFT SUPPORT BRACKET	41	2	47797	MOTOR, GEAR 1/50HP 1350:1 (STD SPEED)
				41A	2	47799	MOTOR, GEAR 1/30HP 311:1 (HIGH SPEED)
				41B	2	45017	KIT, BRUSHES, SPRINGS, AND CAPS
				42	1	50795	HEYCO PLIERS, REMOVES STRAIN RELIEF ON PICK-UP, GEAR MOTOR

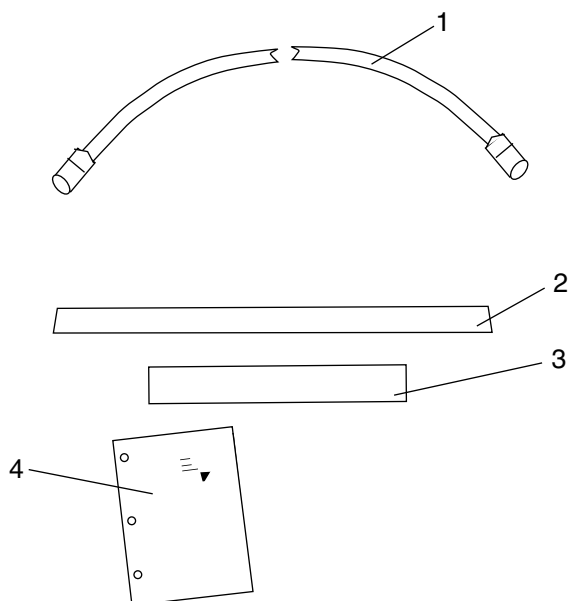
## PS540 OVEN INSTALLATION REQUIRED KITS AND EQUIPMENT

TYPE OF INSTALLATION	PS540 Gas Oven Installation Kit P/N 51100	PS540 Single Oven Option Base w/15" Legs, Casters & Top Kit P/N 34832	PS540 Double Oven Option Base w/6" Legs, Casters & Top Kit P/N 34833	PS540 Triple Oven Option Base w/Casters & Top Kit P/N 51139
PS540 Single Gas Oven	1	1		
PS540 Double Gas Oven	2		1	
PS540 Triple Gas Oven	3			1

### PARTS LIST FOR SERIES PS540 GAS OVEN INSTALLATION KIT P/N 51100

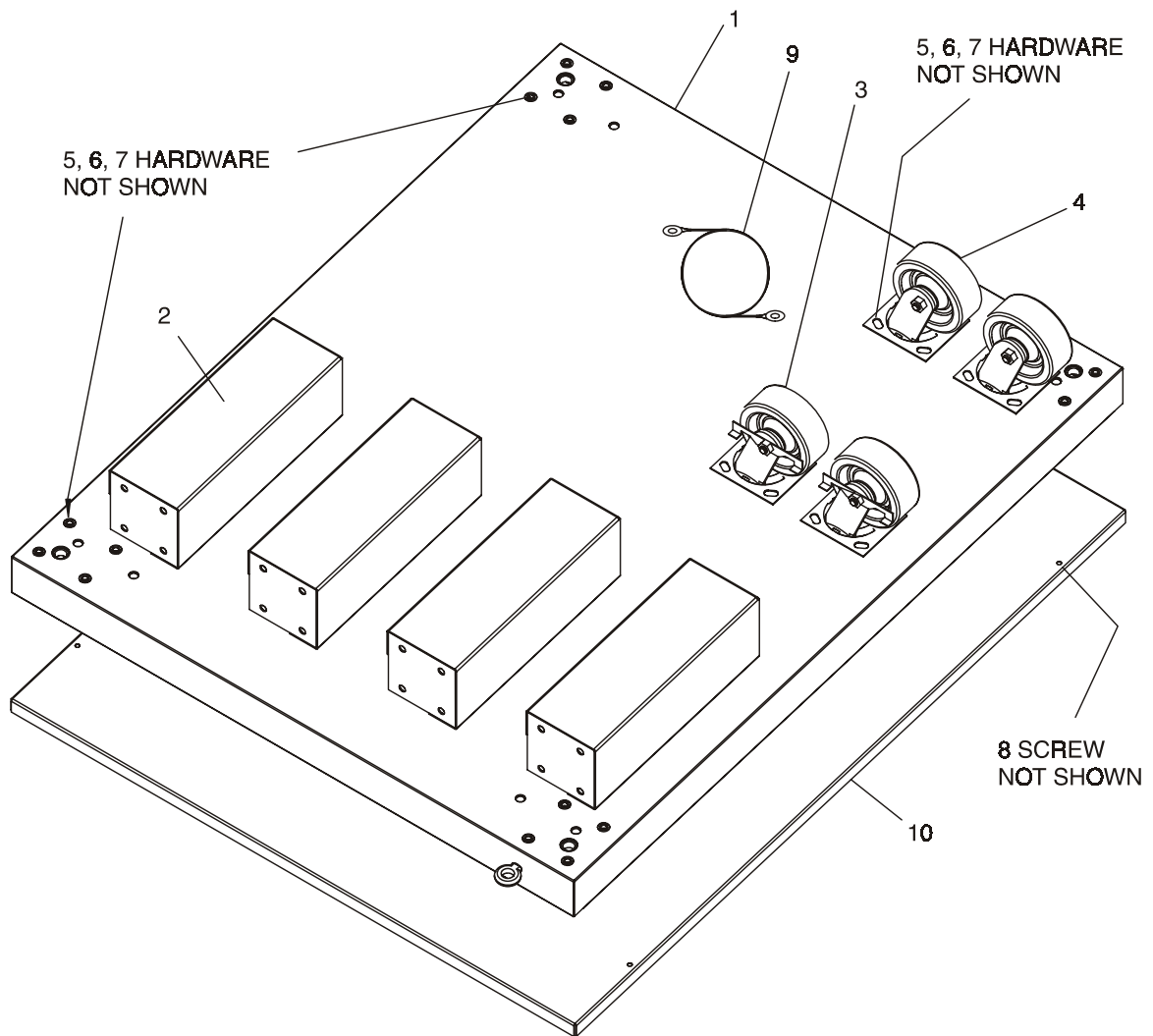
(Two required for double oven)  
(Three required for triple oven)

ITEM NO.	QTY	PART NO.	DESCRIPTION
1	1	22361-0001	FLEXIBLE GAS HOSE, 3/4" X 48"
2	1	55027	CONVEYOR END STOP
3	1	55028	CONVEYOR LEFT REAR STOP
4	1	50664	SERIES PS540 OWNER/OPERATOR MANUAL



**PS540-Series Gas Oven Installation Parts**

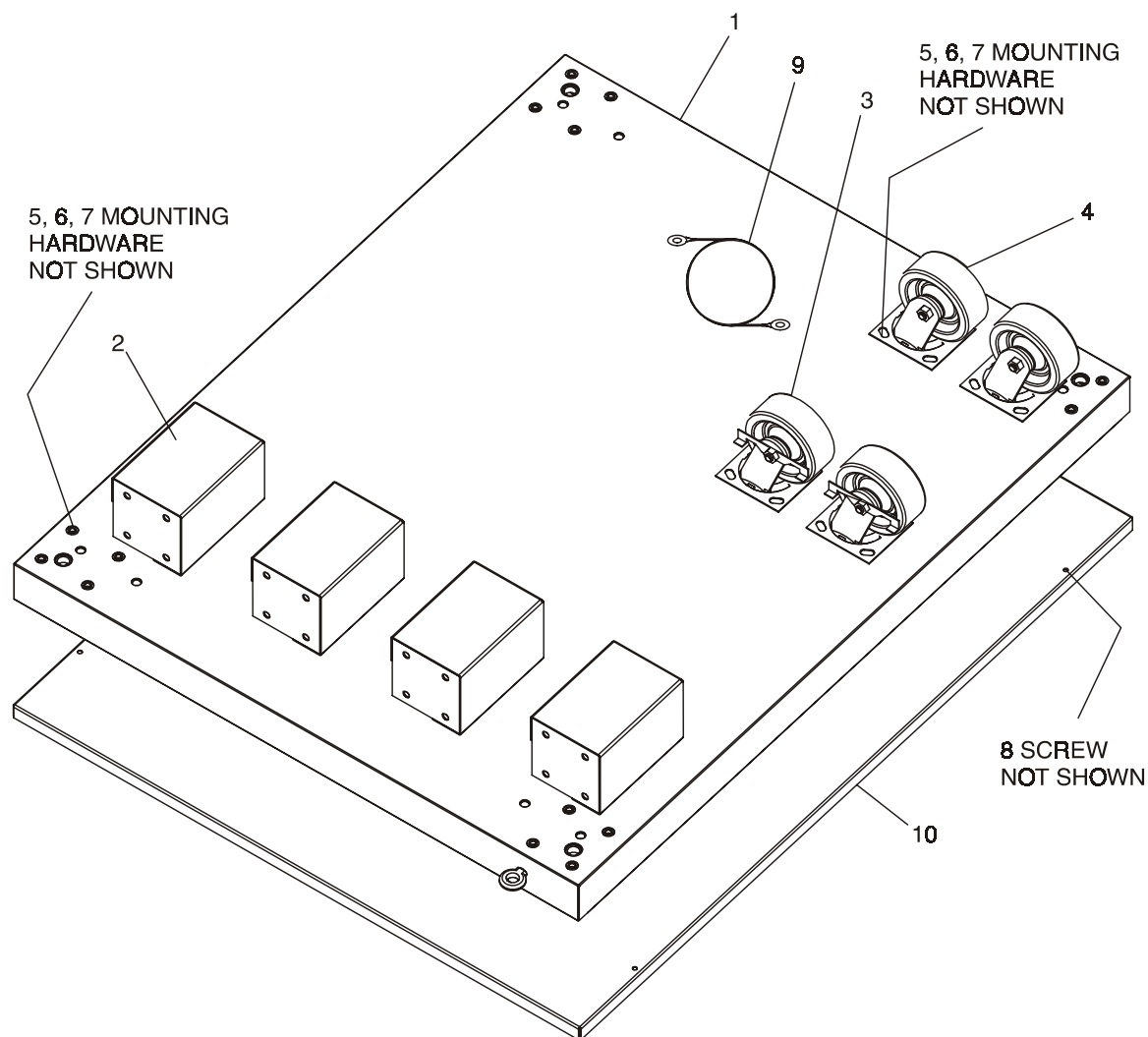




**Model PS540 Single Oven  
Option Base with Legs and Top**

**PARTS LIST FOR PS540 SERIES SINGLE OVEN OPTION - BASE w/15" LEGS & TOP  
P/N 34832**

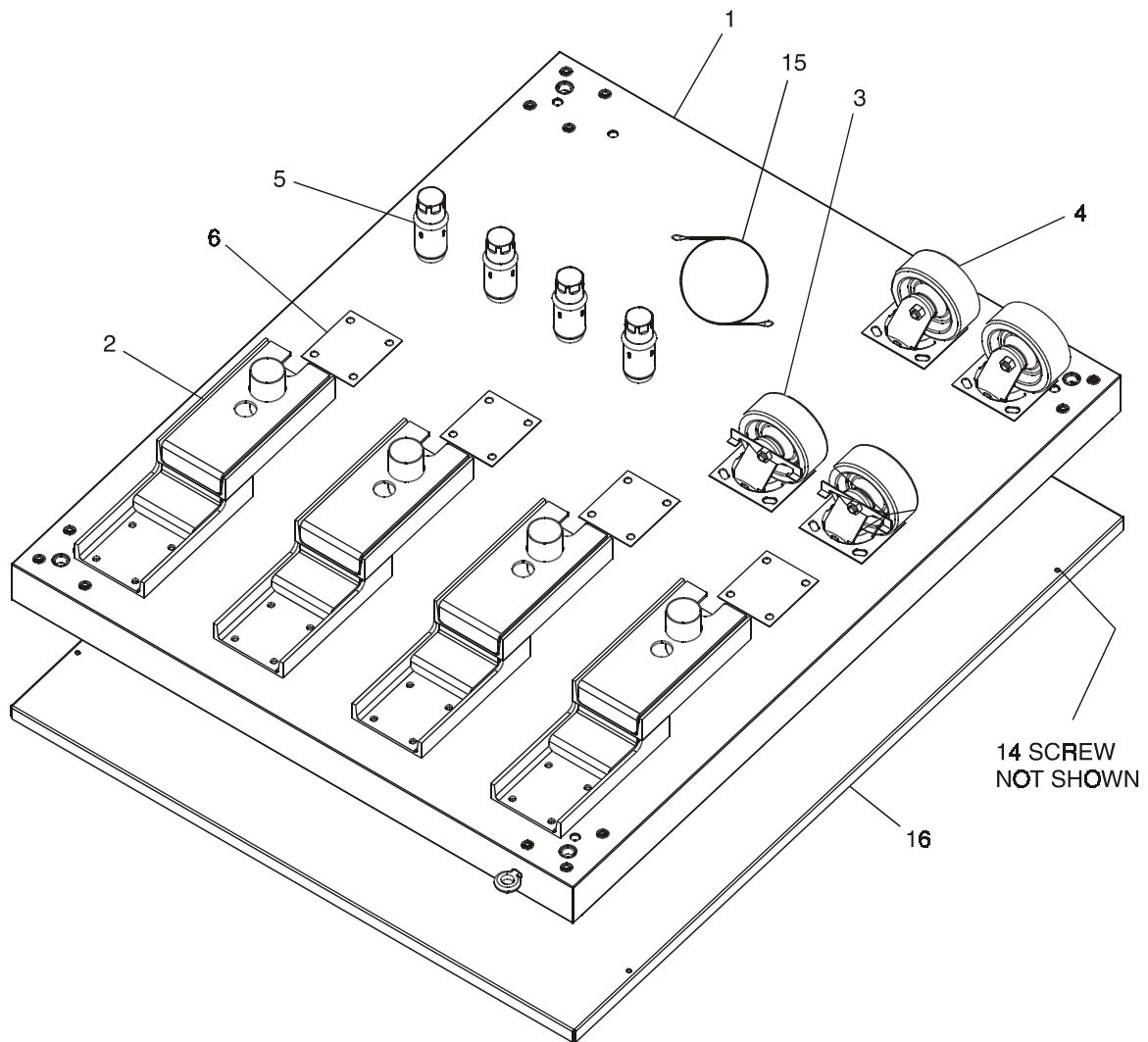
ITEM NO.	QTY	PART NO.	DESCRIPTION
1	1	54606	COMPLETE BASE WELDMENT
2	4	37900-0024	TOP PLATE, LEG WELDMENT, 15" TALL
3	2	22290-0009	SWIVEL CASTER W/BRAKE FLAT PLATE
4	2	22290-0010	SWIVEL CASTER FLAT PLATE
5	32	220373	3/8"-16 x 1" HEX SCREW, SST
6	32	21416-0001	3/8" FLAT WASHER, SS
7	32	21422-0001	3/8" SPLIT LOCK WASHER, ZP
8	4	21256-0008	SCREWS FOR TOP 10-32 x 3/8" 18-8, SL TRUS S
9	1	22450-0228	RESTRAINT CABLE ASSEMBLY
10	1	35900-0011	TOP COVER



**Model PS540 Double Oven  
Option Base with Legs and Top**

**PARTS LIST FOR PS540 SERIES DOUBLE OVEN OPTION - BASE w/6" LEGS, CASTERS & TOP  
P/N 34833**

ITEM NO.	QTY	PART NO.	DESCRIPTION
1	1	54606	COMPLETE BASE WELDMENT
2	4	37900-0102	TOP PLATE, LEG WELDMENT, 6" TALL
3	2	22290-0009	SWIVEL CASTER W/BRAKE FLAT PLATE
4	2	22290-0010	SWIVEL CASTER FLAT PLATE
5	32	220373	3/8"-16 x 1" HEX SCREW, SST
6	32	21416-0001	3/8" FLAT WASHER, SS
7	32	A11039	3/8" SPLIT LOCK WASHER, ZP
8	4	21256-0008	SCREWS FOR TOP 10-32 x 3/8" 18-8, SL TRUS S
9	1	22450-0228	RESTRAINT CABLE ASSEMBLY
10	1	35900-0011	TOP COVER

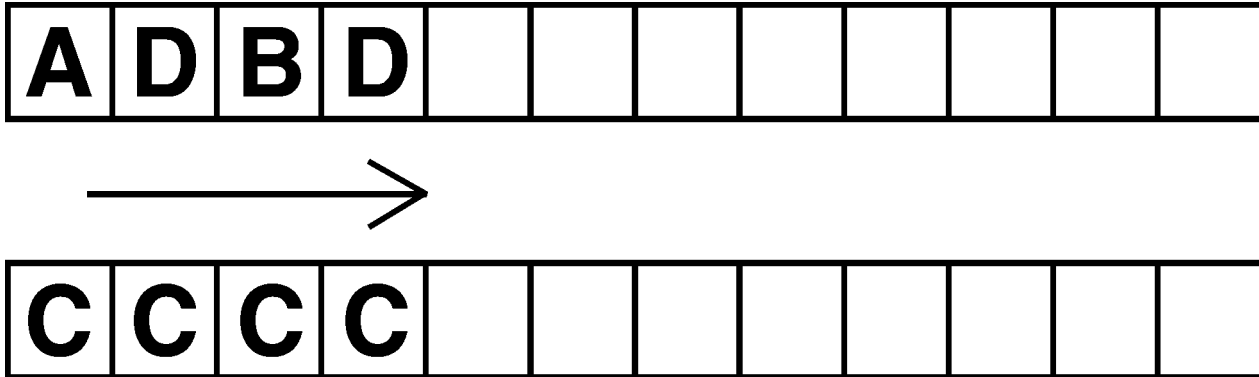


**Model PS540 Triple Oven  
Option Base with Outriggers and Top**

**PARTS LIST FOR PS540 SERIES TRIPLE OVEN OPTION - BASE w/CASTERS & TOP  
P/N51139**

ITEM NO.	QTY	PART NO.	DESCRIPTION
1	1	54606	COMPLETE BASE WELDMENT
2	4	45209	QUAD OUTRIGGER WELDMENT
3	2	22290-0009	SWIVEL CASTER, W/BRAKE FLAT PLATE
4	2	22290-0010	SWIVEL CASTER, FLAT PLATE
5	4	45206	INSERT,QUAD ADJUSTMENT FOOT
6	4	45205	SPACER,QUAD CASTER
14	4	21256-0008	SCREWS FOR TOP 10-32 x 3/8" 18-8, SL TRUS S
15	1	22450-0228	RESTRAINT CABLE ASSEMBLY
16	1	35900-0011	TOP COVER

## STANDARD FINGER CONFIGURATION

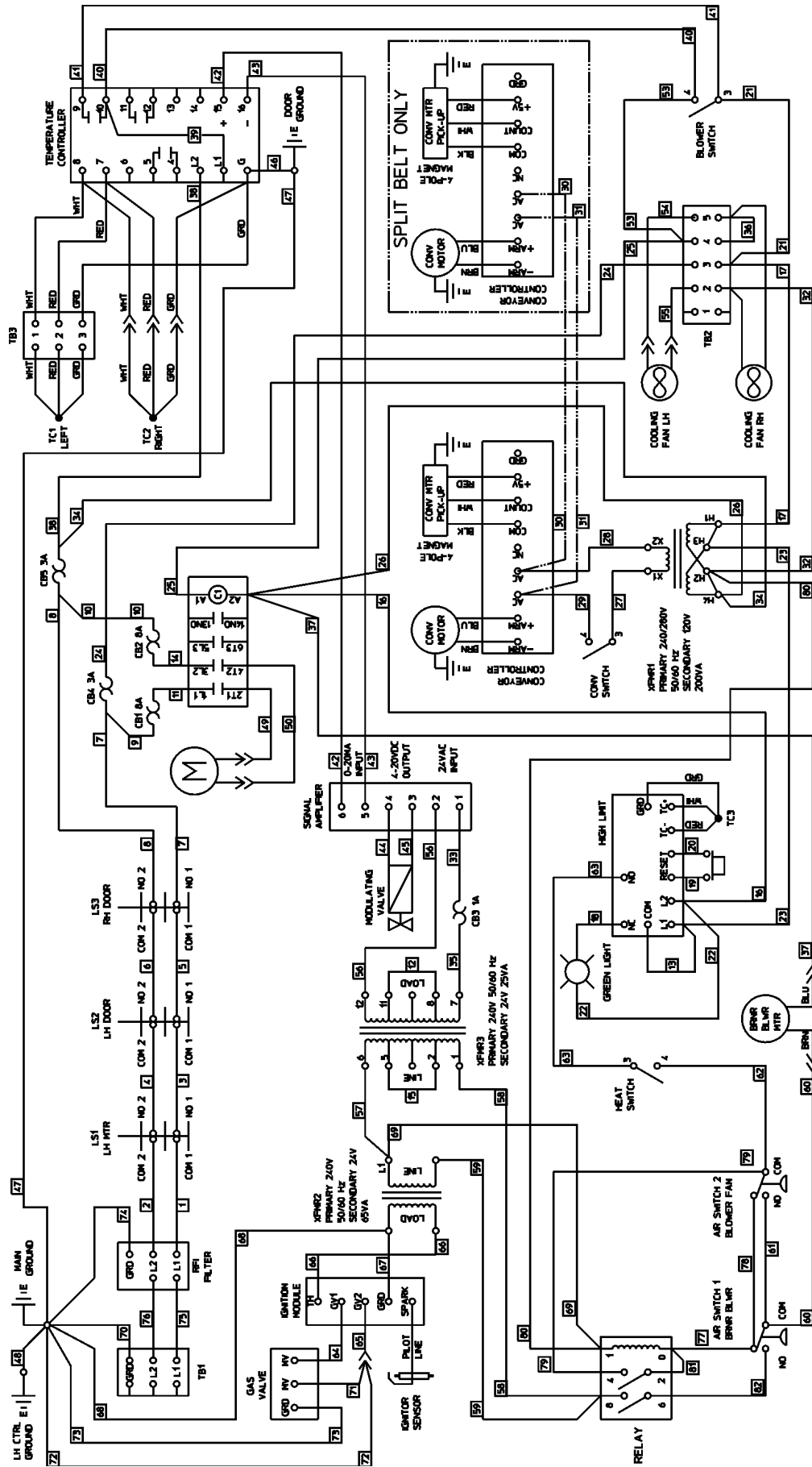


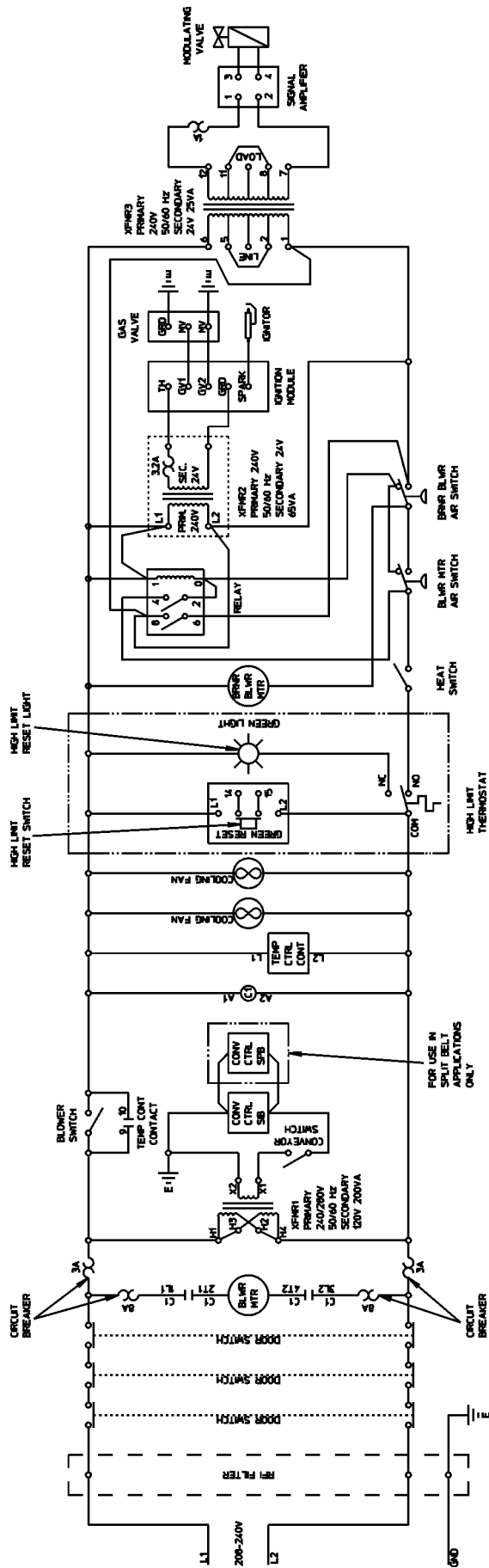
RT TO LT IS MIRROR IMAGE OF ABOVE FINGER CONFIGURATION  
CONTROL T/C AVERAGING FROM ENTRANCE & EXIT SIDES

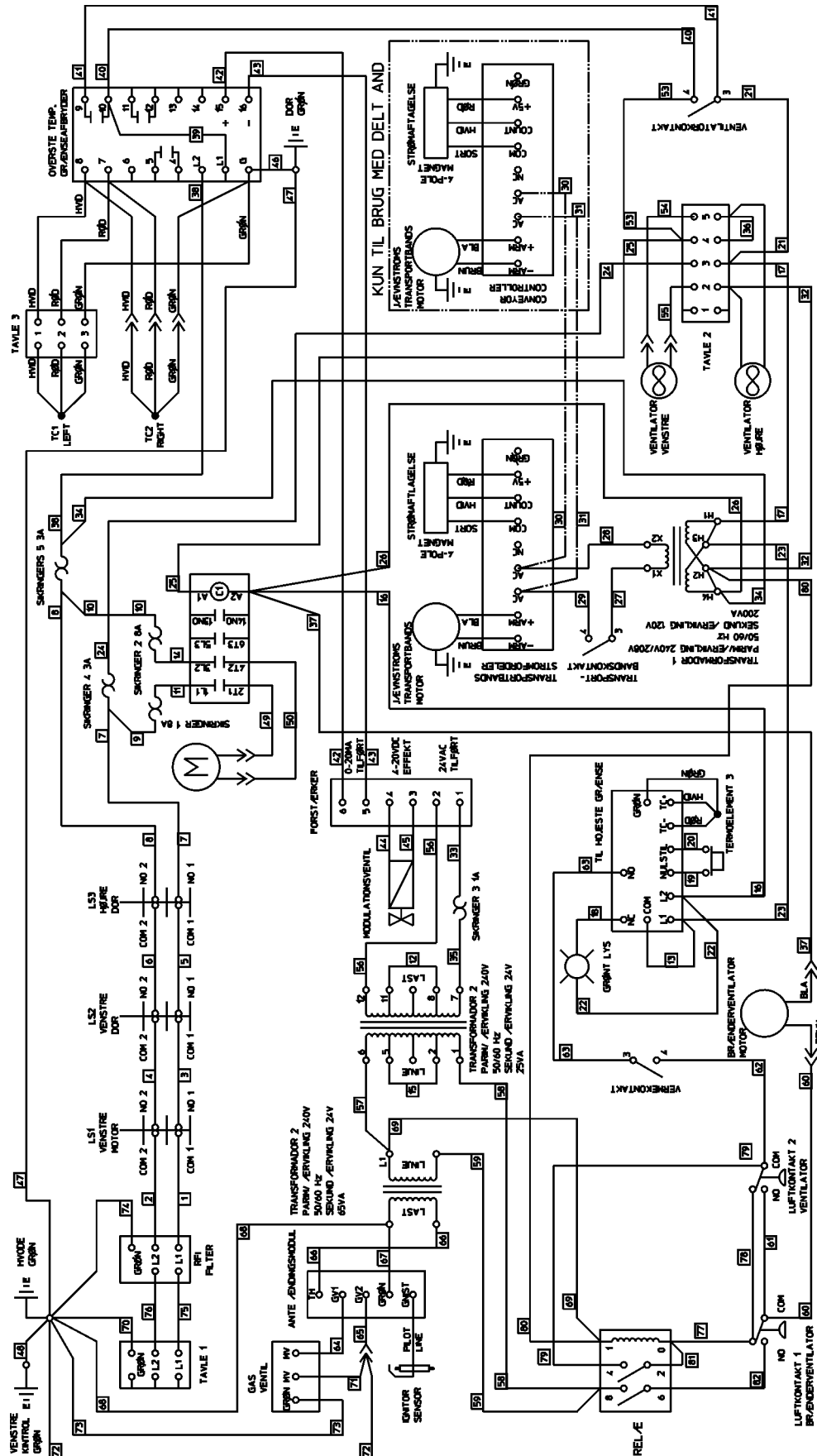
HERTZ	60	50
FAN RPM	2050	2040
KIT RPM	P/N 51077	P/N 51079

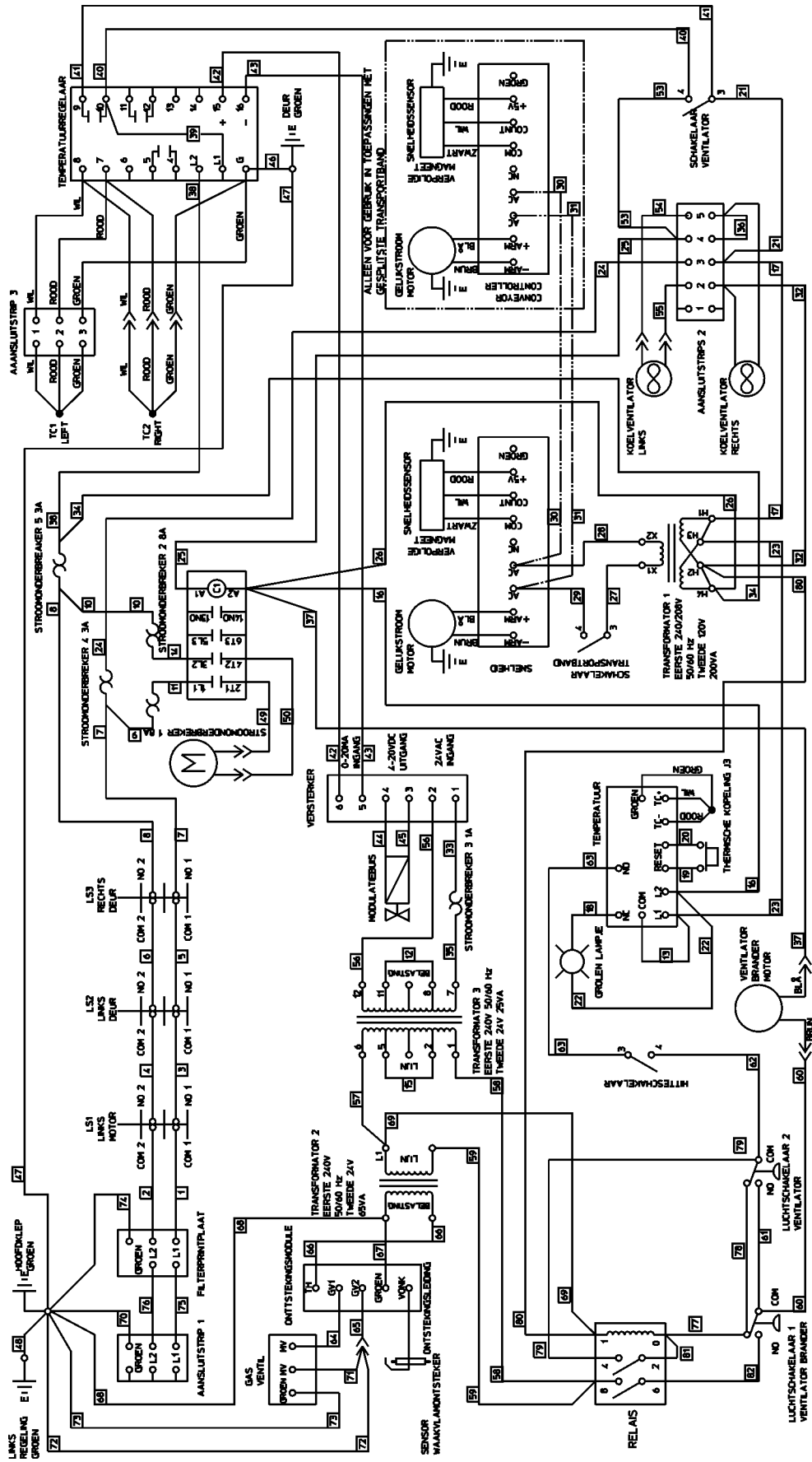
- A** = 51020 PLATE, OUTER L67  
50550 PLATE, INR/COL L6 ALUZ  
42410-0199 ASSY, MANIFOLD W/PERF BAFFEL AL
- B** = 51021 PLATE, OUTER L65  
50550 PLATE, INR/COL L6 ALUZ  
42410-0199 ASSY, MANIFOLD W/PERF BAFFEL AL
- C** = 50551 PLATE, OUTER L6 GN  
50553 PLATE, INR/COL L6 GN ALUZ  
50227 ASSY, MANIFOLD L6GN PERF BAFFEL
- D** = 35210-0536 PLATE, BLANK FULL ALUZ

# Wiring Diagrams (electrical schematics)





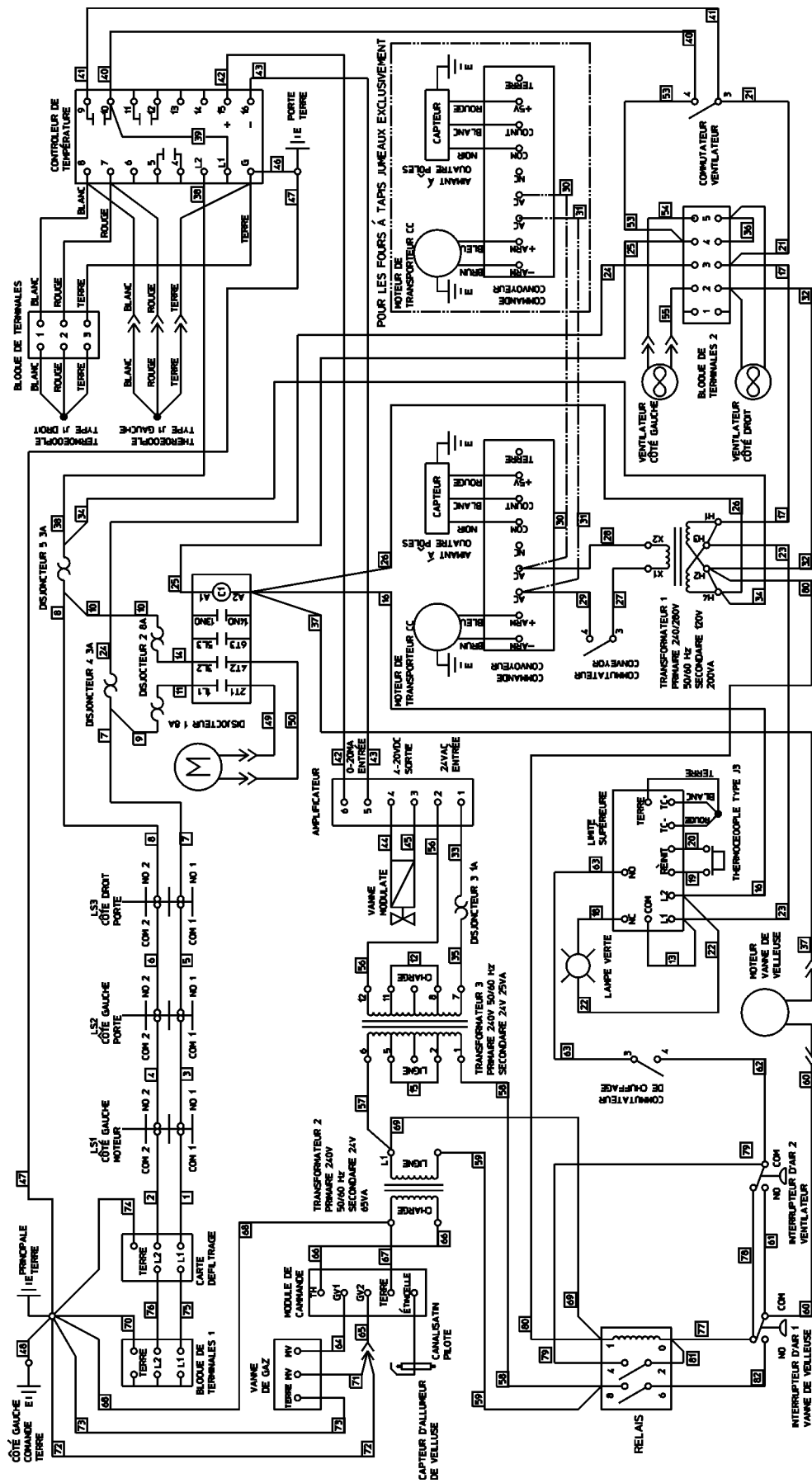


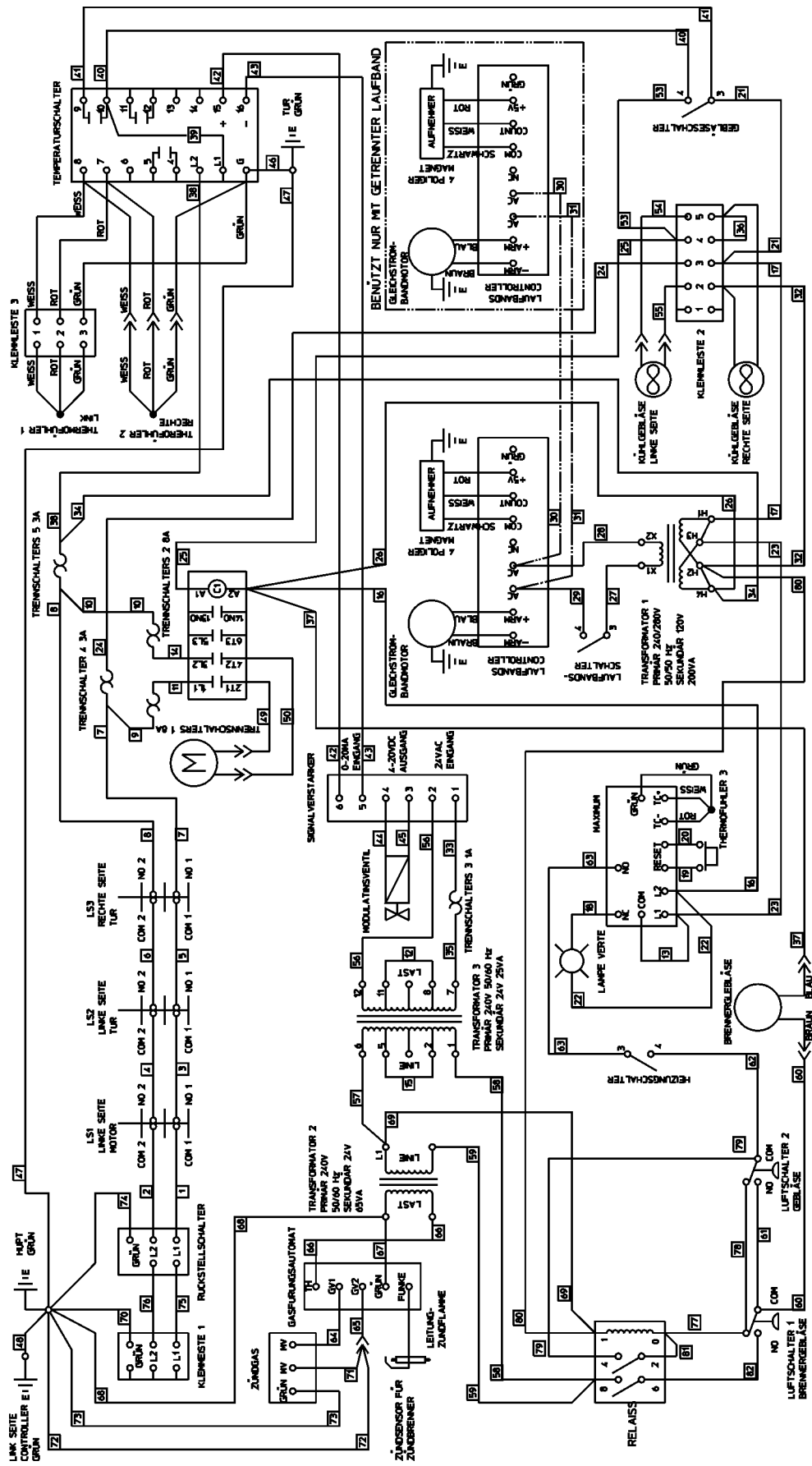


52065D

Middleby PS540G Wiring Diagram, 208-240 volt 50/60 Hz, 1 Phase 3W DUT

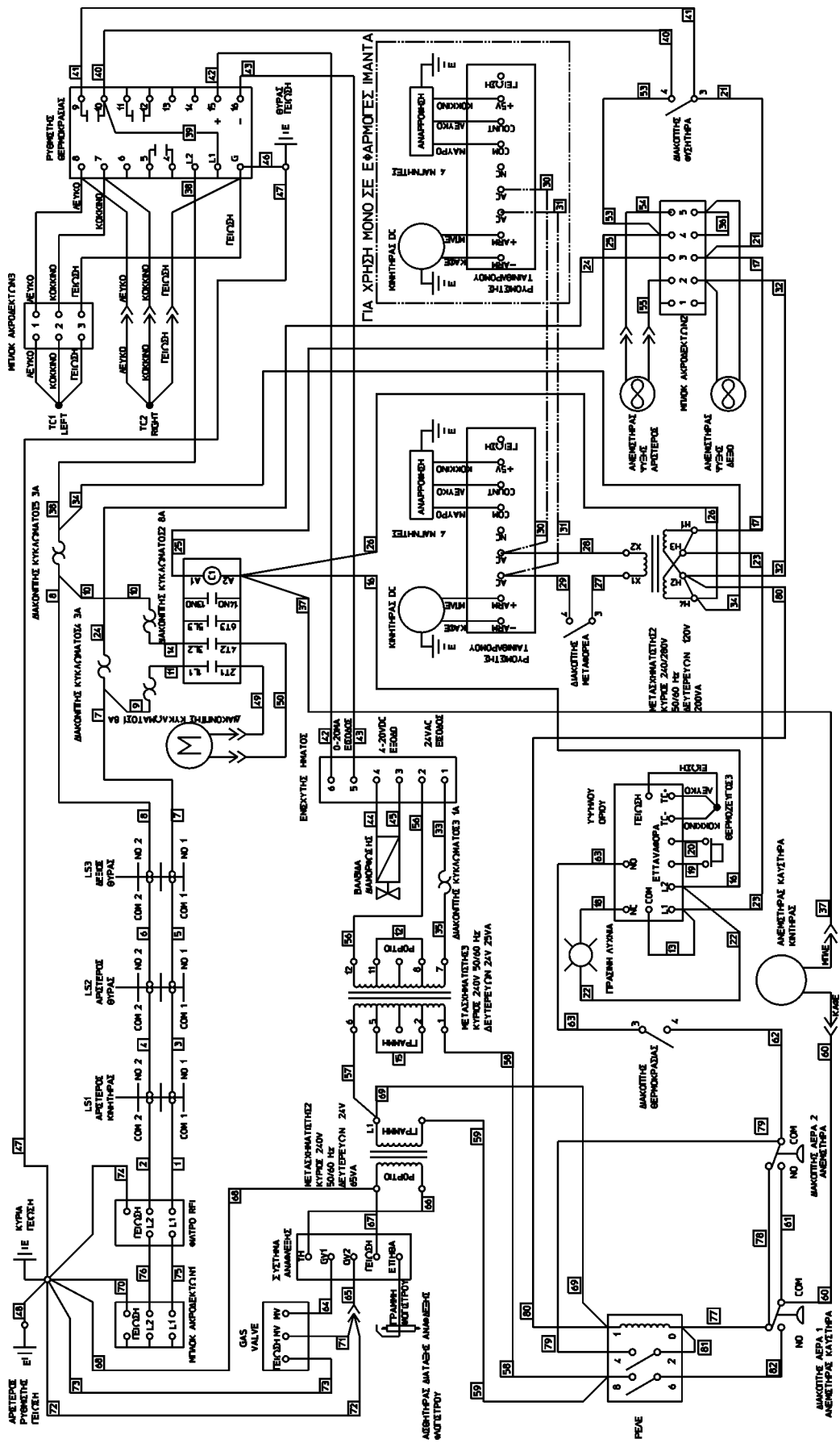


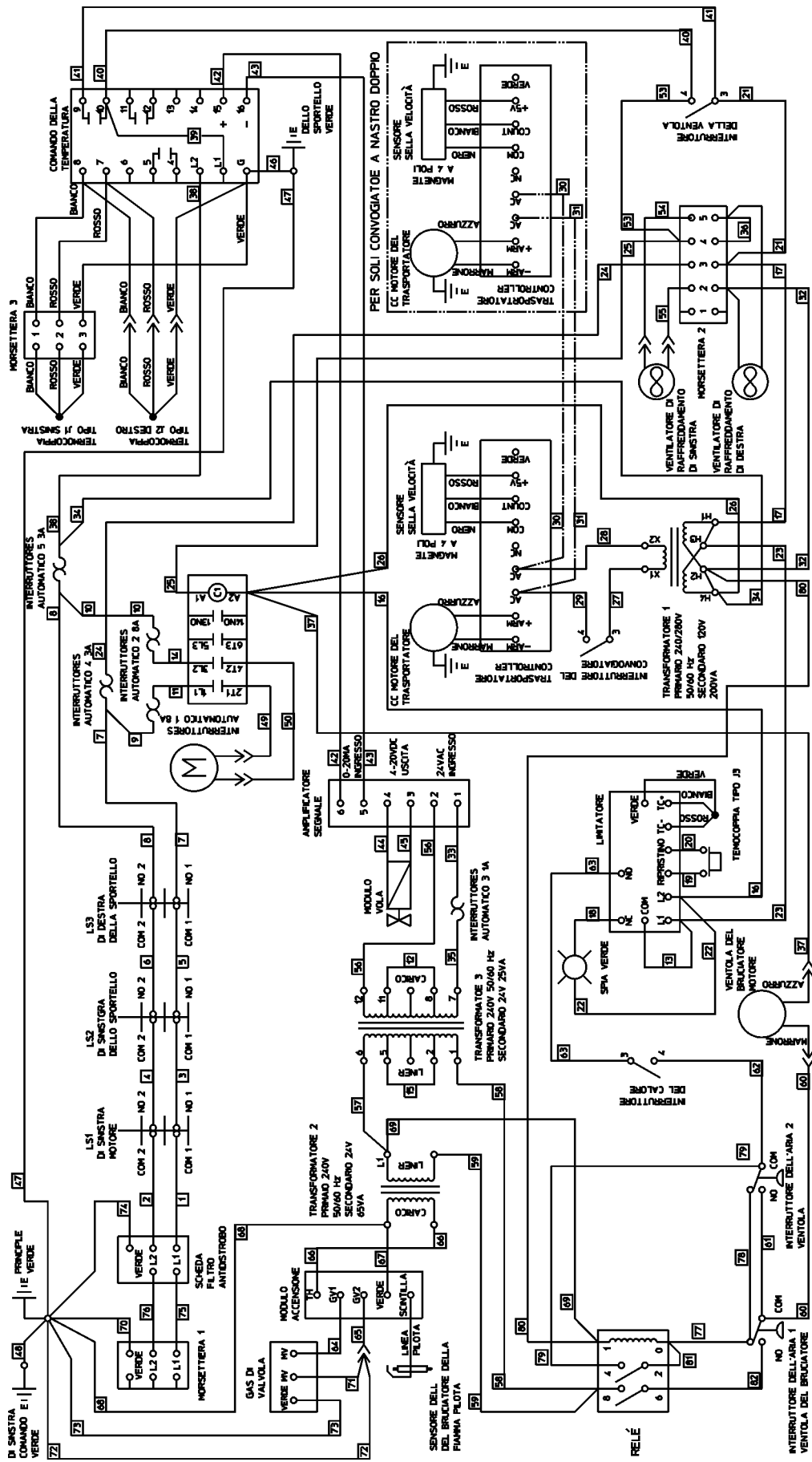




52055D

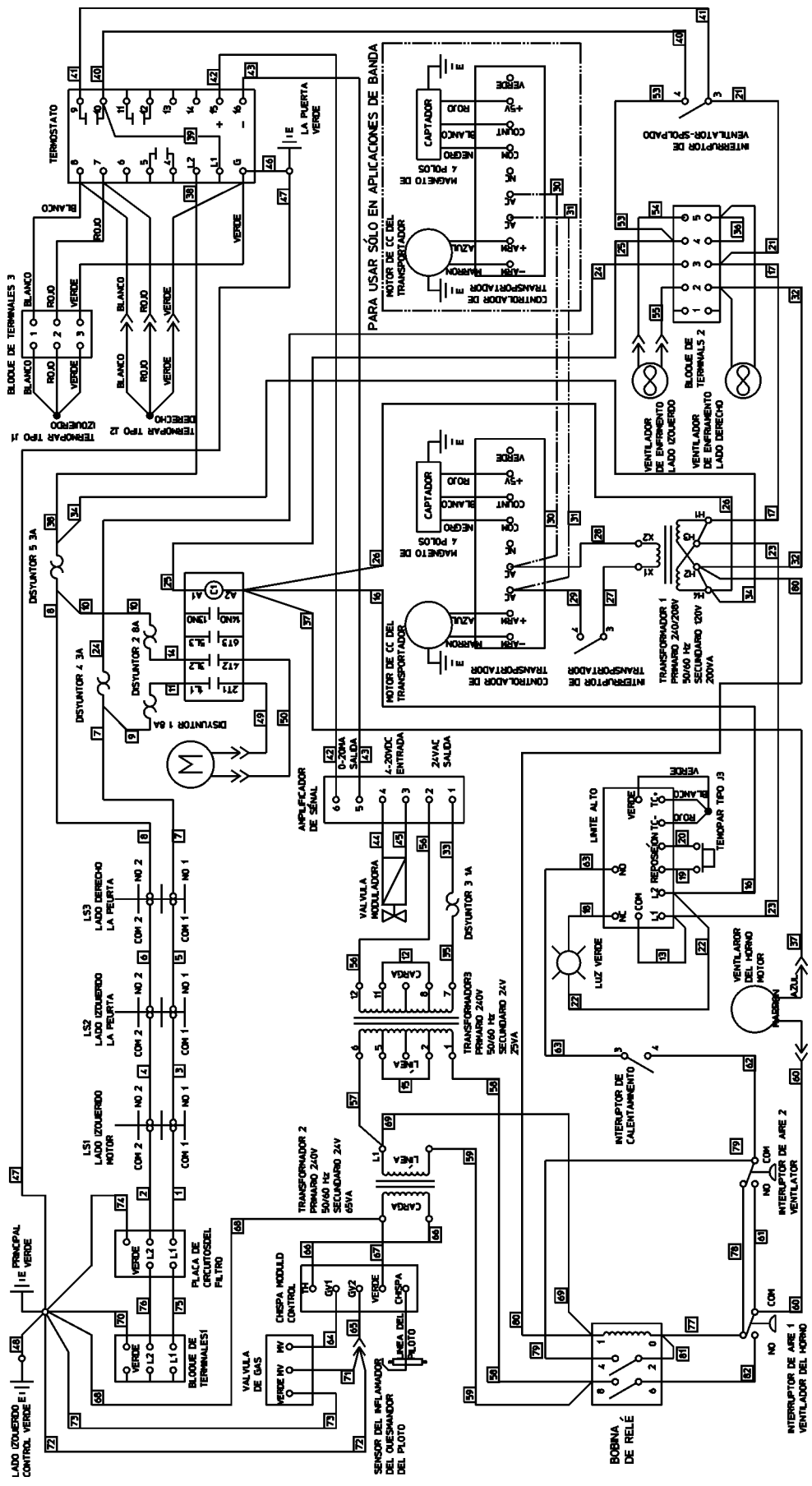
Middleby PS540G Wiring Diagram, 208-240 volt 50/60 Hz, 1 Phase 3W GM

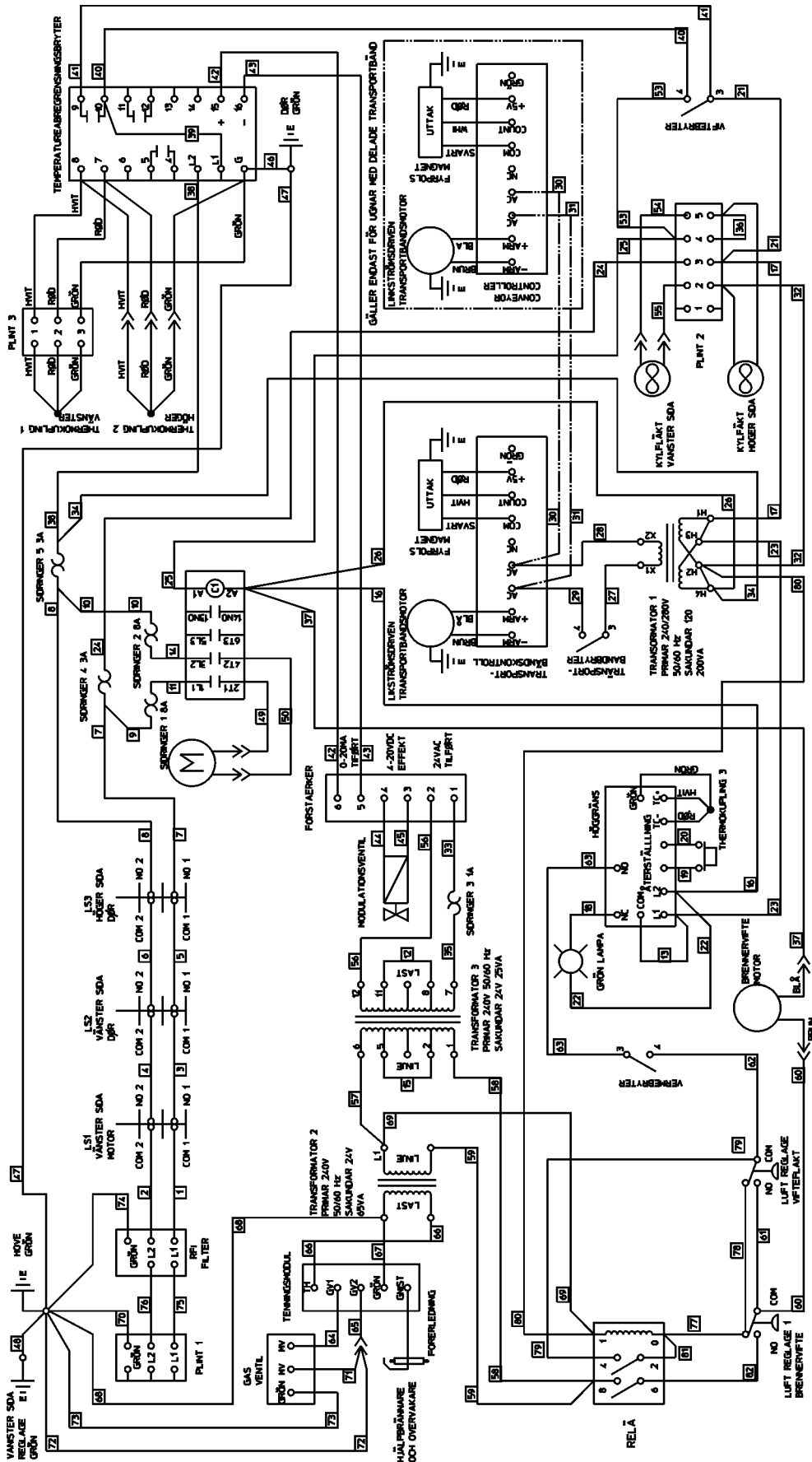




52061D

Middleby PS540G Wiring Diagram, 208-240 volt 50/60 Hz, 1 Phase 3W IT





## NOTES





## Free Manuals Download Website

<http://myh66.com>

<http://usermanuals.us>

<http://www.somanuals.com>

<http://www.4manuals.cc>

<http://www.manual-lib.com>

<http://www.404manual.com>

<http://www.luxmanual.com>

<http://aubethermostatmanual.com>

Golf course search by state

<http://golfingnear.com>

Email search by domain

<http://emailbydomain.com>

Auto manuals search

<http://auto.somanuals.com>

TV manuals search

<http://tv.somanuals.com>