

OWNER'S MANUAL

Please read this manual thoroughly
and retain it for future reference.

S4™ MidiLand

S4 MidiLand

7100/7100M

SELF-POWERED MULTIMEDIA
SPEAKER SYSTEM



S4 MidiLand™ 7100
Serial #

 **MidiLand**
© 2000 By MidiLand, Inc. All Rights Reserved.

The model and serial numbers are located on
the back of the subwoofer. Record the serial
number in the space above for future reference.

IMPORTANT SAFEGUARDS

About operating voltage

Operate the unit with the appropriate voltage as indicated on the outer packaging and where power cord comes out of the AC adapter. It will be one of the following:

- 110V-120V @60 Hz
- 220V-240V @50Hz

About safety

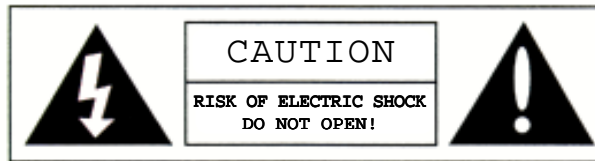
- The nameplate indicating operating voltage, power consumption, etc...is located on the AC adapter.
- Unplug the unit from the wall outlet when it is not to be used for an extended period of time. To disconnect the cord, pull it out by grasping the plug, never pull it out by the cord.
- Should any solid object or liquid fall into the unit, disconnect the AC power cord, and have qualified service professional check the unit before operating the unit again.

About installation

- Do not place the unit near heat sources, moisture, rain or mechanical shock, and ensure that there is nothing to interfere with proper ventilation/airflow.
- Although the unit is magnetically/video shielded, it is recommended that magnetically sensitive equipment such as personal credit cards, floppy disks, TV screens, etc...be placed as far as reasonably possible away from the unit.
- The unit should only be used with a cart or stand that is recommended by the manufacturer.
- The unit should be mounted to a wall or ceiling only as recommended by the manufacturer.

WARNING: TO PREVENT FIRE OR SHOCK HAZARD, DO NOT EXPOSE THE UNIT TO RAIN OR MOISTURE!

The "lightning bolt" symbol is intended to alert the user to the presence of uninsulated "dangerous voltage" within the product's enclosure that may be of electric shock to persons.

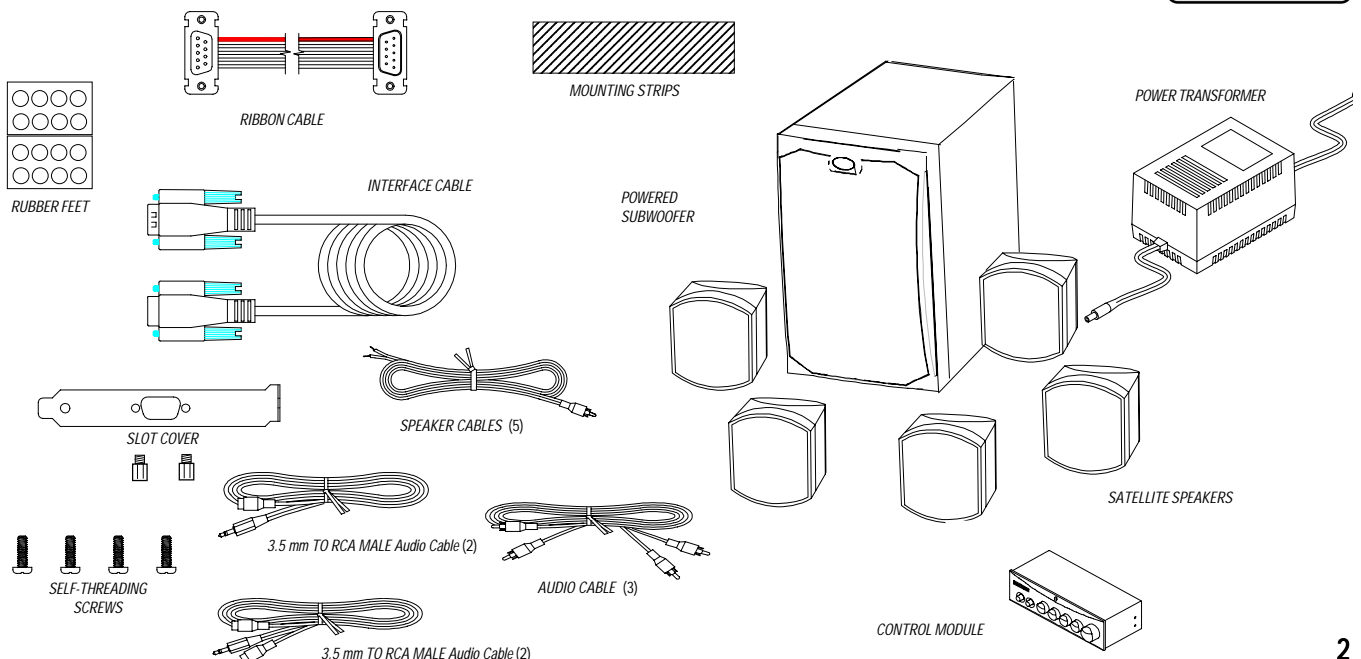


AVIS: RISQUE DE CHOC ELECTRIQUE NE PAS OUVRIR

The "exclamation mark" symbol is intended to alert the user to the presence of important operating and maintenance instructions in the literature accompanying the appliance.

The S4 MidiLand™ 7100 High Performance Multimedia 100W RMS Powered Loudspeaker System you are about to set-up and install is one of the finest multimedia products available today. Please locate all of the parts below before you begin.

CONTENTS



1 Check your **S4 MidiLand™ 7100** package for the following items:

- 1 Five (5) **Satellite Speakers**.
- 1 One (1) **Subwoofer** with integrated 100W RMS power amplifier.
- 1 One (1) **CM-7 Control Module**.
- 1 One (1) 10 Feet, 9-Pin to 9-Pin **Interface Cable** (subwoofer to CM-7 control module).
- 1 Two (2) 6 Feet and 8 inches, high performance Wire **Speaker Cables**.
- 1 Two (2) 16 Feet, rear channel high performance **Speaker Cables**.
- 1 Three (3) 10 Feet, Dual RCA to Dual RCA **Audio Cable** .
- 1 Two (2) 1.5 Feet, **3.5mm Stereo Mini Jack to RCA Female Audio Cable**.
- 1 Two (2) 1.5 Feet, **3.5mm Mono Mini Jack to RCA Mono Female Audio Cable**.
- 1 One (1) 2' 9-pin to 9-pin flat **Ribbon Cable** with separate metal **Slot Cover**.
- 1 Eight (8) non-marring, self-adhesive **Rubber Feet**.
- 1 One (1) 4" self-adhesive control module **Mounting Strips**.
- 1 Four (4) **Self-threading Screws** for internal mounting of control module.
- 1 One (1) **Power Transformer**.

Your packaging may also contain other printed material with special offers for direct purchase of related multimedia products as well as optional MidiLand™ accessories.

2 Prepare the area where you will be installing your multimedia system. Following are some tips you might want to consider:

- Select a location for the **satellite speakers** which is solid and places them an appropriate distance apart for good stereo imaging (2-3' apart if using on a desktop with your multimedia computer, personal stereo or mini-bookshelf audio system; at least 3-4' apart if using fairly close to a television set with your set top video game and at least 6'-8" apart if using them in a home theater or traditional audio setup (i.e., when listening from across the room).
- Featuring a dual angle ellipsoidal design, the satellite speakers may be used in either of two (2) "tilt" angles simply by turning the unit "upside-down". The angle can be 15° or 25° to help raise the stereo image and improve focus and clarity. The satellite speakers may also be wall mounted with optional bracket available separately from your dealer.
- Select a solid location for the **subwoofer** (generally on the floor) which allows adequate ventilation for the 60W RMS Integrated Amplifier mounted in the rear of the subwoofer enclosure. To enhance bass performance, it is generally advisable to place the subwoofer next to a wall or solid piece of furniture with the woofer/grille side pointing away from the wall or furniture. You'll probably want to experiment with several different locations once you've completed the installation and hookup. Place 4 **Rubber Feet** under subwoofer to protect the mounting surface, if necessary.
- If you choose to mount the **control module** internal to a computer, refer to **Illustration I-1**. However, if you choose to mount the control module externally (i.e. the underside of your desktop, underneath your monitor, on top of your desktop, etc.), we have supplied self-adhesive mounting strips or 4 **Rubber Feet** to secure/place the controls wherever it is most convenient.

FEATURES

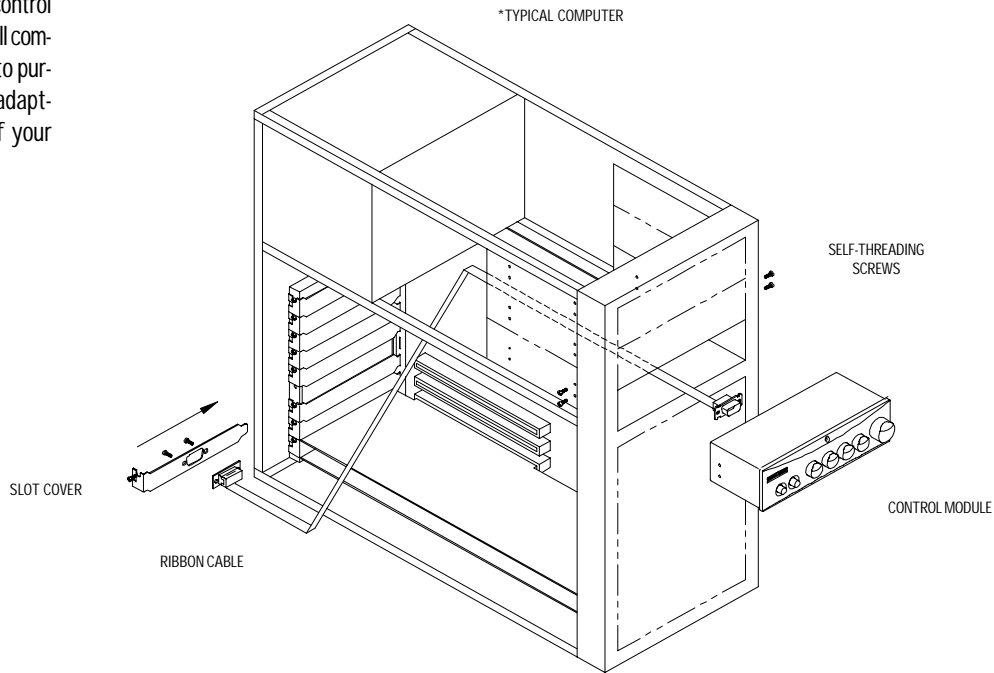
- 100 WATT RMS INTEGRATED POWER AMPLIFIER
 - 6½" (165mm) SUBWOOFER
 - 2½" (65mm) WIDEBAND SATELLITE SPEAKERS
 - INTERNAL/EXTERNAL REMOTE CONTROL MODULE
 - 5.1 MULTI-CHANNEL
 - EXTERNAL LOW-NOISE POWER TRANSFORMER
- 1 COMPLETE MAGNETIC/VIDEO SHIELDING
 - 1 SMALL DESKTOP "FOOTPRINT"
 - 1 DYNAMIC SOUND QUALITY
 - 1 PATENT PENDING CM-7 INTERFACE
 - 1 DOLBY DIGITAL READY

CONNECTIONS

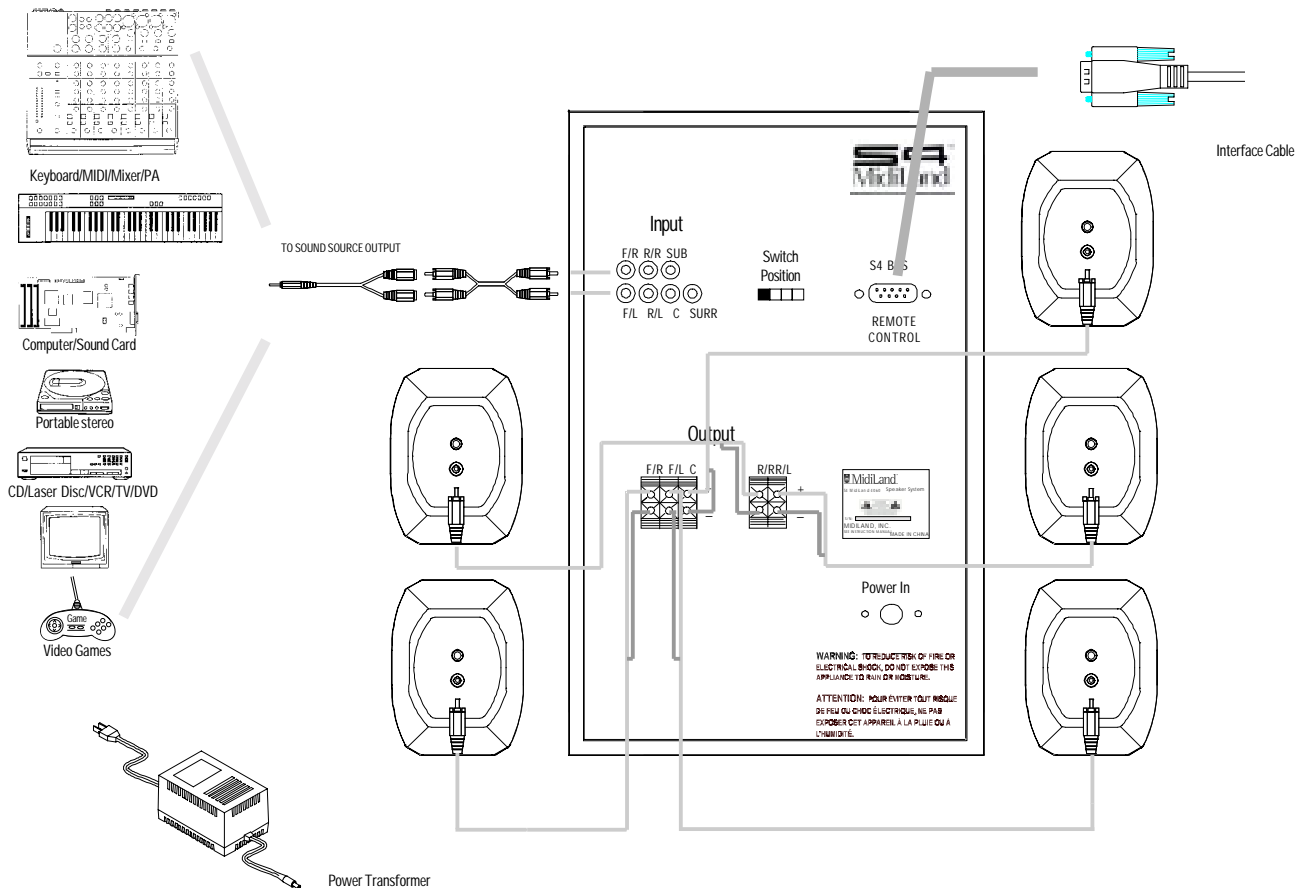
- 3** With the power switch in the off position and the power transformer plug not connected, refer to the instructions and illustrations below.
- Locate the 10' 9-pin to 9-pin **interface cable**, plug one end of the 9-pin CM-7 interface connector to the subwoofer's amplifier located at the rear of the subwoofer unit and the other end to rear of the **CM-7 control module**. If you have chosen to mount the control module internal to a computer, than you must locate the 2' 9-pin to 9-pin ribbon cable and refer to **illustration I-1**.
 - Using the supplied **speaker cable** connect the front left, front right, rear left, rear right and center satellite speakers to the subwoofer amplifier's **output**. The connection terminals are simple plug-in type, needing only to be concerned with connecting the output to the correspondent speaker and the type of connection. Refer to **illustration I-2**.
 - In the package please locate a 1.5' dual RCA to stereo **3.5 mm stereo jack cable**. This cable is intended to connect a computer's sound card, a portable CD player, or wherever a source with a 3.5mm jack is required to one of the amplifier's RCA inputs. If another type of connector is required, please check with your sound appliance vendor for the adaptor you may need. Using this 1.5' cable, simply plug the **RCA** end into the **Audio Cable** and connect the **RCA plugs** into the amplifier's **input**. The red color RCA plug should be connected to the "right" input and the white color RCA to the "left" input. See to the specifications section for further details. Refer to **illustration I-2 to I-6 for your "SPECIFIC SOUND SOURCE CONNECTION."**
 - Power is supplied to the **S4 Midiland™ 7100** via a supplied external **Power Transformer**. The correct voltage adapter is supplied for the territory you purchased the unit in. First, make sure to connect the coaxial power plug into the labeled power receptacle on the rear of the subwoofer. Second, connect the country specific corded plug into an approved and properly functioning AC wall outlet. **DO NOT** use an extension cord or an overly crowded wall plate. Third, make sure the power button is pushed in on the control module.

* Please note that the control module may not fit into all computers. You may need to purchase "rails" or other adapters from the maker of your computer.

CONTROL MODULE
INTERNAL MOUNTING



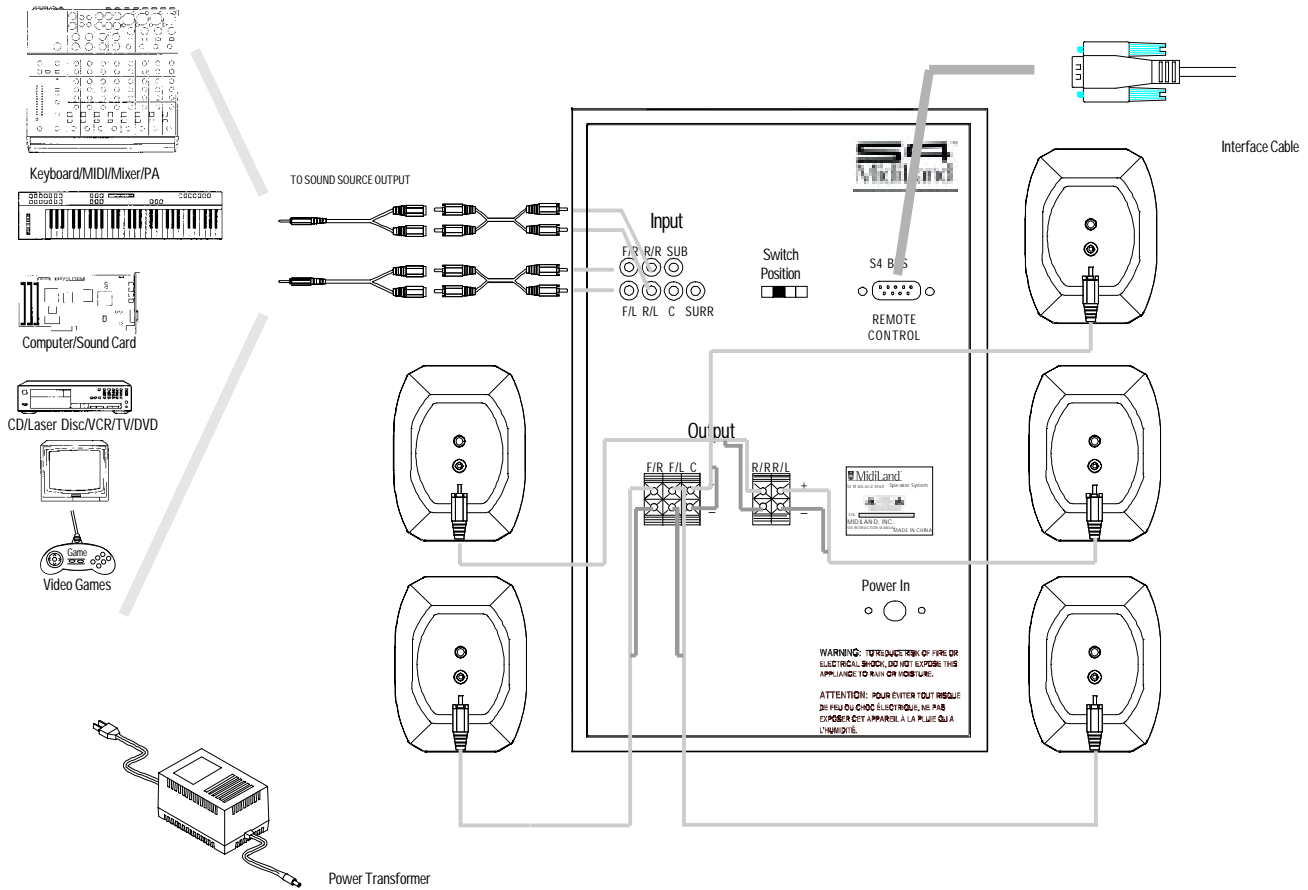
Sound Source: Stereo



APPLICATIONS

Sound Source: 4.1 Channel

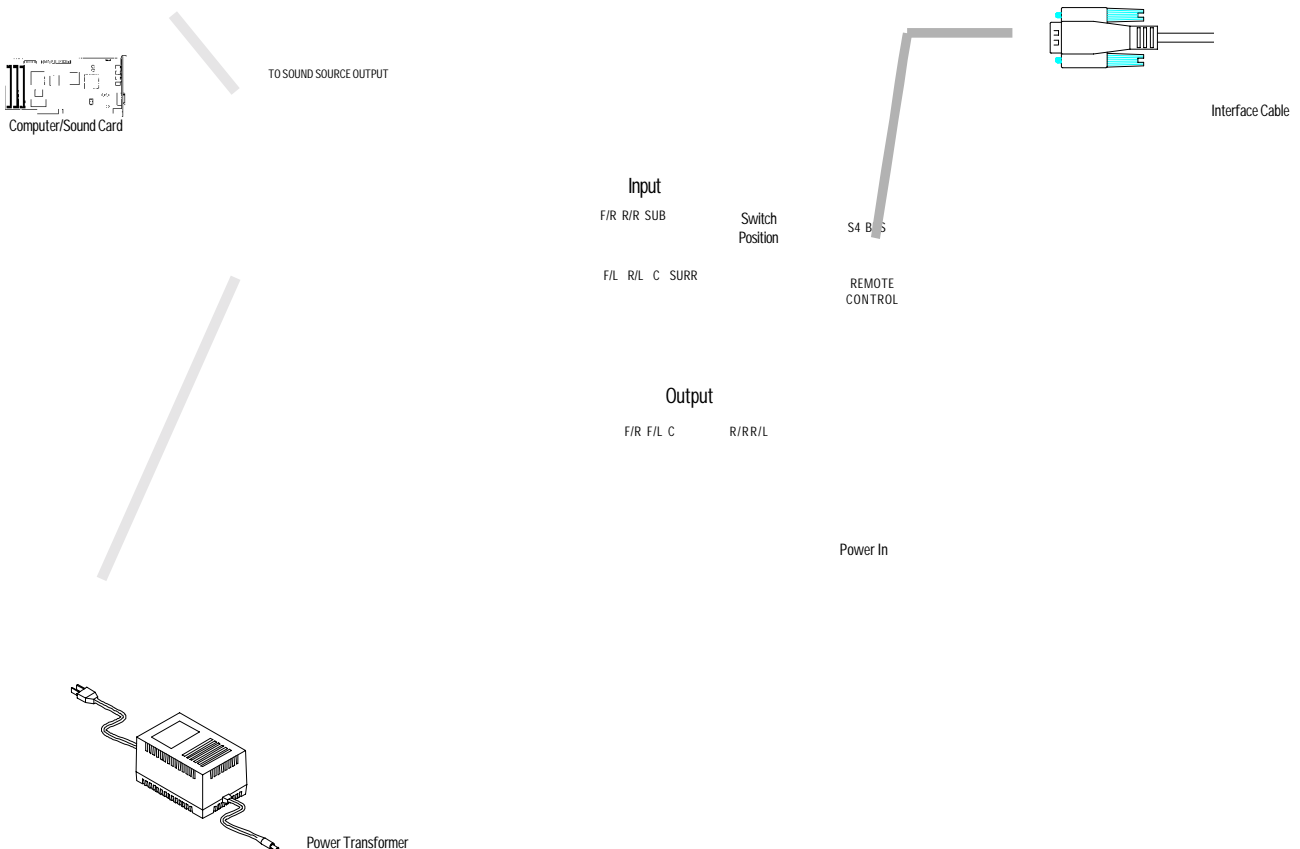
Illustration I-3
SUBWOOFER-REAR VIEW



APPLICATIONS

Sound Source: 5.1 Channel

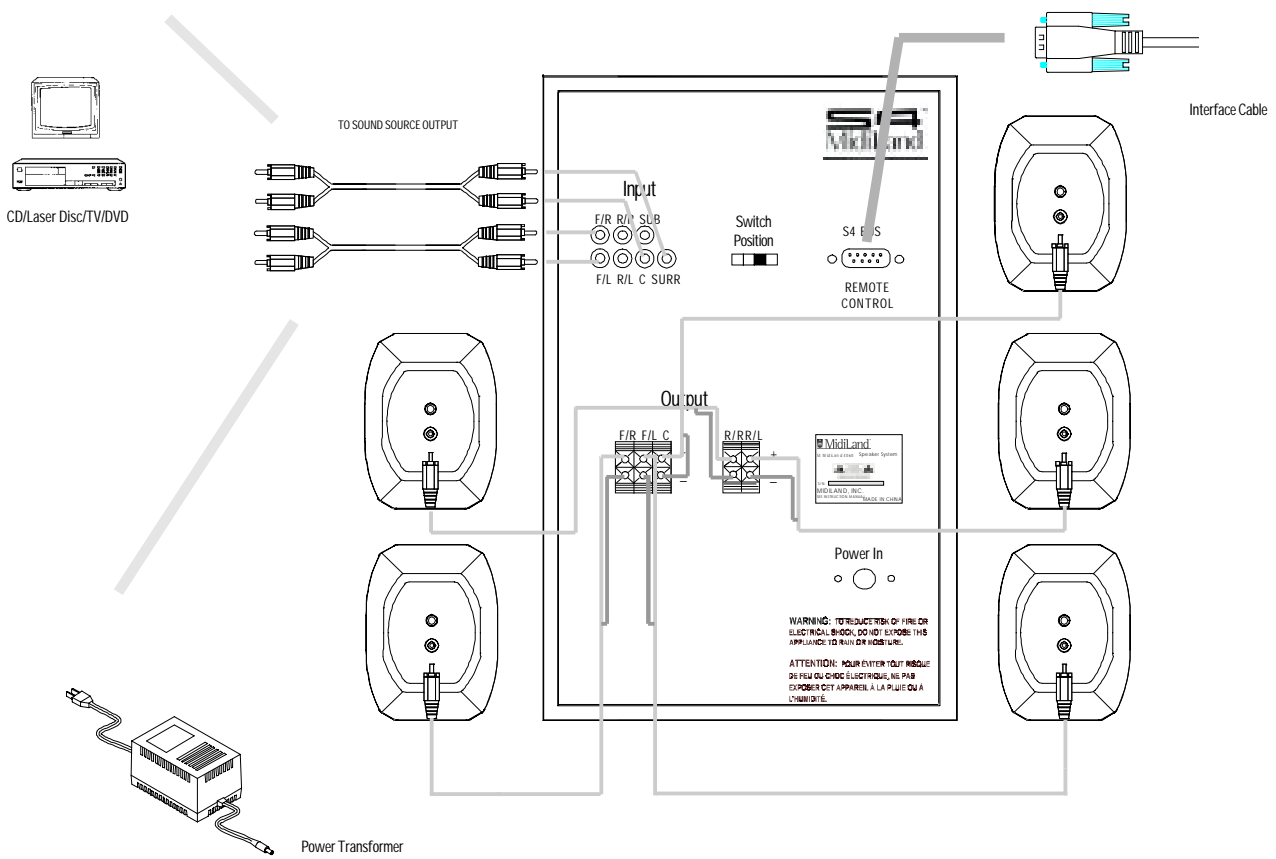
Illustration I-4
SUBWOOFER-REAR VIEW



APPLICATIONS

Sound Source: Dolby Pro Logic

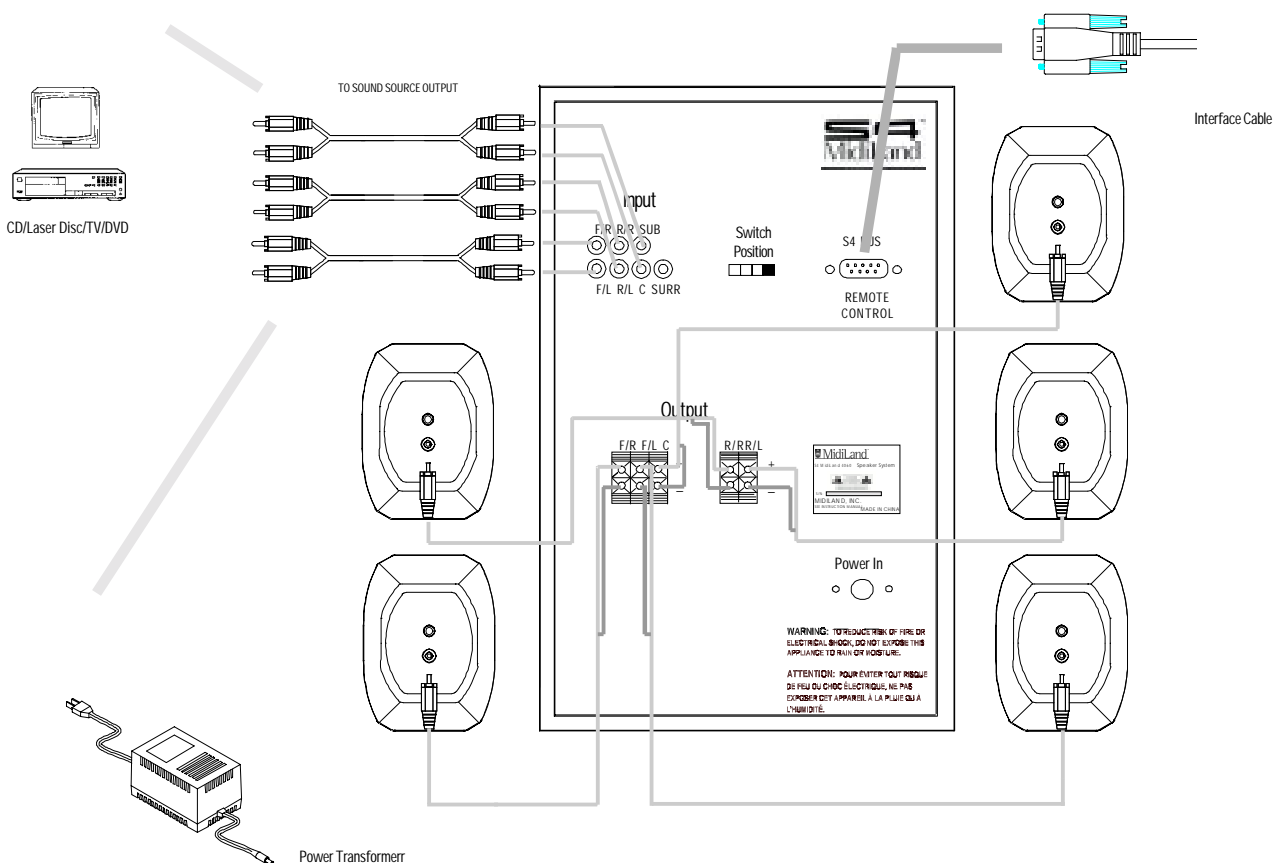
Illustration I-5
SUBWOOFER-REAR VIEW



APPLICATIONS

Sound Source: Dolby Digital

Illustration I-6
SUBWOOFER-REAR VIEW



HOW TO USE

4 After verifying that everything has been connected properly, plug the power cord into an available AC wall outlet. On the control module, set the controls as follows:

- 1 Turn on the system with the **POWER** button.
- 1 Rotate the **Volume** control fully counterclockwise.
- 1 Press the **Mute** buttons so that they are in the out position, not "engaged".
- 1 Turn the **Bass, Fade, Treble,** and **Balance** to the center detent position, "12 o'clock".

5 To start making music, adjust the controls as follows:

- 1 Start your music, CD-ROM, movie, or other sound source playing and turn up its output level, if available.
- 1 Rotate the **Volume** control clockwise to the desired listening level.
- 1 Adjust the **Balance** control left and right to audibly check your connections.
- 1 Rotate the **Bass** and **Treble** left and right. You should noticeably hear an increase or decrease in tone.
- 1 Rotate the **Fade** control left and right to adjust front and rear sound separation.
- 1 Make sure to experiment with all of the controls to customize the sound just the way you like it. If you have a question, look in to the **Troubleshooting** page.
- 1 For further support e-mail us at tech@midiland.com or call Customer Service at (888) 592-1168 or call your local Midiland Authorized dealer.

TROUBLESHOOTING

PROBLEM	POSSIBLE SOLUTION
No sound at all	<p>Verify that the system is plugged into a wall outlet and that the outlet is not switched to the "off" position.</p> <p>Make sure that the amplifier's power switch is pushed in on the Control Module and that the green CM-7 LED is illuminated.</p> <p>Turn the volume on the control module up.</p> <p>Turn the output level from your sound source up.</p> <p>Make sure the mute button is not engaged.</p>
Only one channel is working	<p>Check that the balance and fade controls are centered and that the input connections are OK.</p> <p>Make sure that there are no loose speaker cable connections. The speaker cable plug must be firmly seated in the proper jack on the rear side of the satellite and amplifier.</p>

For further information or support, e-mail us at tech@midiland.com or call Customer Service at (888)592-1168.

WARRANTY

Three Years Limited Warranty

MidiLand, Inc. warrants to the end user that all of its computer speakers are free from defects in materials and workmanship in the course of normal and reasonable use for a term of three (3) years from the date of purchase.

This warranty is the exclusive and only warranty in effect relative to MidiLand, Inc. computer speaker systems and any other warranties, either expressed or implied, are invalid. Neither MidiLand Inc., nor any authorized MidiLand, Inc. reseller is responsible for any incidental damages incurred in the use of the speakers. (This limitation of incidental or consequential damage is not applicable where prohibited).

MidiLand, Inc. obligation under this warranty does not apply to any defect, malfunction or failure as a result of misuse, abuse, improper installation, use with faulty or improper equipment or the use of the computer speaker systems with any equipment for which they are not intended.

The terms of this warranty apply only to computer speaker systems when such speakers are returned to the respective authorized MidiLand, Inc. reseller where they were purchased.

Under the terms of the warranty the original consumer purchaser has certain legal rights and may have other rights which vary worldwide.

SPECIFICATIONS

SYSTEM TYPE:	Self-Powered Multimedia Satellite/Subwoofer Loudspeaker System
SYSTEM COMPONENTS:	6½" (165mm) Subwoofer (contains Integrated Power Amplifier) 2½" (65mm) Wideband Satellites (Five) Control Module Connecting Cables
OVERALL ACOUSTIC	
FREQUENCY RESPONSE:	20 Hz to 20 kHz (+/- 3dB)
MAXIMUM SPL:	100 dB (@ < 10% THD/1 kHz)
AMPLIFIER TYPE/ DESIGN FEATURES:	Class A/B Hybrid-Monolithic Design, Proprietary CM-7 Interface, UL 94V-0 Spec Printed Circuit Boards, Redundant Protection Circuits (Thermal, Short-Circuit, Under/Over Voltage), Gold-Plated Inputs Outputs, and Mute/Power Circuits
AMPLIFIER POWER:	100 Watts RMS (1 x 50 Watt, 5 x 10 Watt) 50 Hz to 20 kHz, all channels driven, 4w @ < 0.1% THD
INPUT IMPEDANCE:	> 50k Ohms @ 1 kHz, < 200pf @ 20 kHz
INPUT SENSITIVITY:	INPUT > 200mV RMS (minimum required input level to achieve maximum output @ 1 kHz)
DYNAMIC HEADROOM:	> 2 dB
INPUTS:	Gold-Plated RCA jack
OUTPUTS:	5 Channel Terminal; Left and Right Satellite Speaker via Push Terminal.
SUBWOOFER:	165mm Poly Laminated Paper Cone with 25mm OFC Voice Coil on TSV Composite Former, Shielded Magnet Structure
SUBWOOFER ENCLOSURE: (13.50"H x 8.70"W x 13.40"D)	Rigidly-braced MDF (Wood), Computer-Optimized Front-Firing Vented Design with Turbulence-Free Port and Non-Removable Fabric Grille
SATELLITE SPEAKERS:	65mm Computer-Optimized Wideband Paper Cone Drivers, Speaker Magnet Structures (magnetic shielding)
SATELLITE ENCLOSURES: (4.00"H x 3.30" W x 4.10"D)	Two-Piece Molded, Dual-Slope Ellipsoidal Acoustic Suspension Design, Embedded ¼"-20 Threaded Inserts (for optional mounting brackets) and decorative cloth grilles
CROSSOVER FREQUENCY:	180 Hz
CONTROL MODULE (Preamp): (1.7"H x 5.8"W x 3.1"D)	Patent-Pending S4Bus™ Interface to Integrated Power Amplifier for control of Major System Functions—Volume, Balance, Bass, Fade, Treble, Power, Mute

Note

Design and specifications are subject to change without notice.

Free Manuals Download Website

<http://myh66.com>

<http://usermanuals.us>

<http://www.somanuals.com>

<http://www.4manuals.cc>

<http://www.manual-lib.com>

<http://www.404manual.com>

<http://www.luxmanual.com>

<http://aubethermostatmanual.com>

Golf course search by state

<http://golfingnear.com>

Email search by domain

<http://emailbydomain.com>

Auto manuals search

<http://auto.somanuals.com>

TV manuals search

<http://tv.somanuals.com>