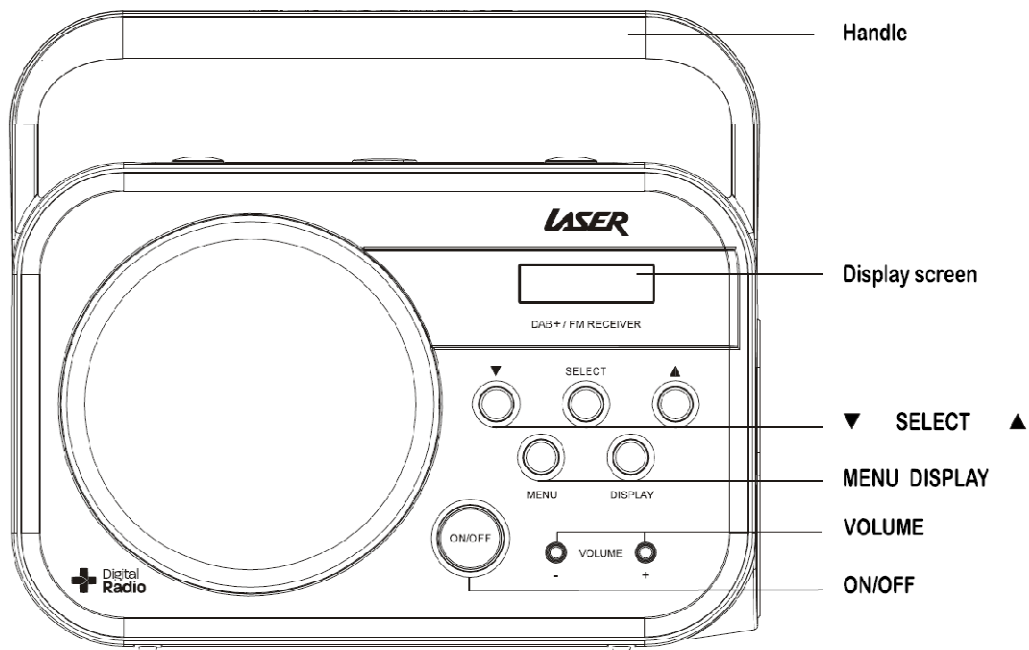


DAB-DG200

QUICK START GUIDE





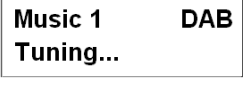


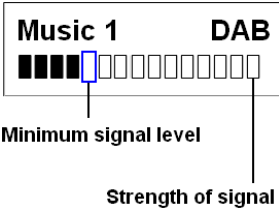
For further product information and instruction please visit our product web page at www.laserco.net

LASER

DAB-DG200

QUICK START GUIDE

EVERYDAY FEATURES

<p><u>TURNING THE UNIT ON</u> (1) Extend the antenna and press the ON/OFF button. (2) The unit will then conduct a full auto-search scan and store all DAB/DAB+ Radio stations. The auto search may take up to 1- 2 minutes to complete. (3) The unit is then ready to use.</p>	<p>1) </p> <p>2) </p> <p>3) </p>
<p><u>MANUAL STATION SCANNING</u> To manually change frequency, press ▼ or ▲ to change in 0.05MHz steps. To start auto-scanning, press and hold the SCAN button.</p>	<p>1) </p>
<p><u>CHOOSING A STATION</u> When the auto searching is complete, you can change stations by pressing ▼ or ▲.</p>	<p>1) </p>
<p><u>USING THE DISPLAY BUTTON</u> To view further station information, just press the DISPLAY button each time to show 1) Radio station name, 2) Frequency, 3) Signal transmission rate and mode, 4) Signal strength, 5)Time, 6) Scrolling station data, and 7) Radio Program Type</p>	<p>1) </p>



DAB-DG200

QUICK START GUIDE

SWITCHING BETWEEN FM AND DAB+

While enjoying a DAB/DAB+ program, you can simply press **DAB/FM** to change Modes

1)

Switching to FM

PRE-SETTING FAVOURITE CHANNES

This radio can store 10 DAB/DAB+ and 10 FM station presets. To store the current station (1) press and hold the **PRESET** button. Then press ▼ or ▲ and **SELECT** your preferred channel number. (2) A confirmation screen will then be shown

1)

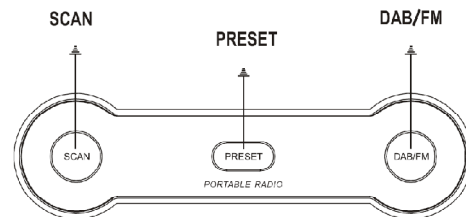
105.70MHz FM
← Empty P1 →

2)

STORE
105.70MHz P9

SELECTING A PRESET STATION

To recall your list, press **PRESET**. Press ▼ or ▲ to review and press **SELECT** to confirm.



SETTING LANGUAGE/FACTORY RESET

Note: Changing language is also accompanied with a factory reset, which means all personal settings will be deleted.

(1) Press **MENU** repeatedly until “**Language**” is shown. Press **SELECT** to confirm. Press ▼ or ▲ to select from the list. (2) Press **SELECT** to confirm your preference. The system will then reset and restart.

1)

Music 1 DAB
Language

2)

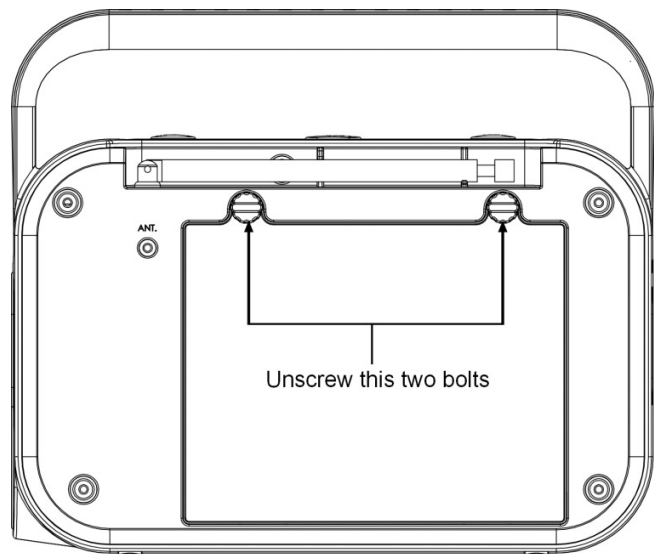
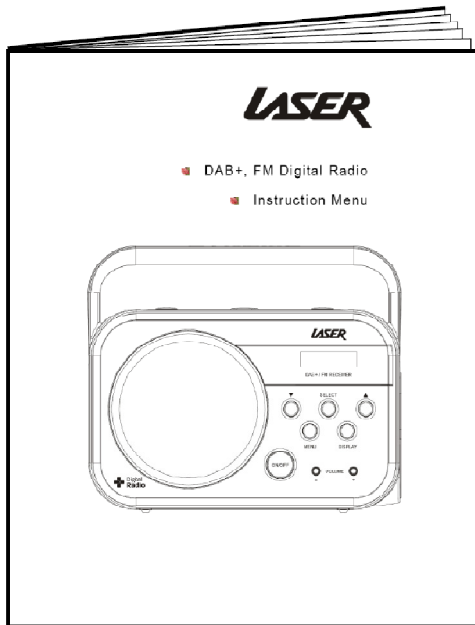
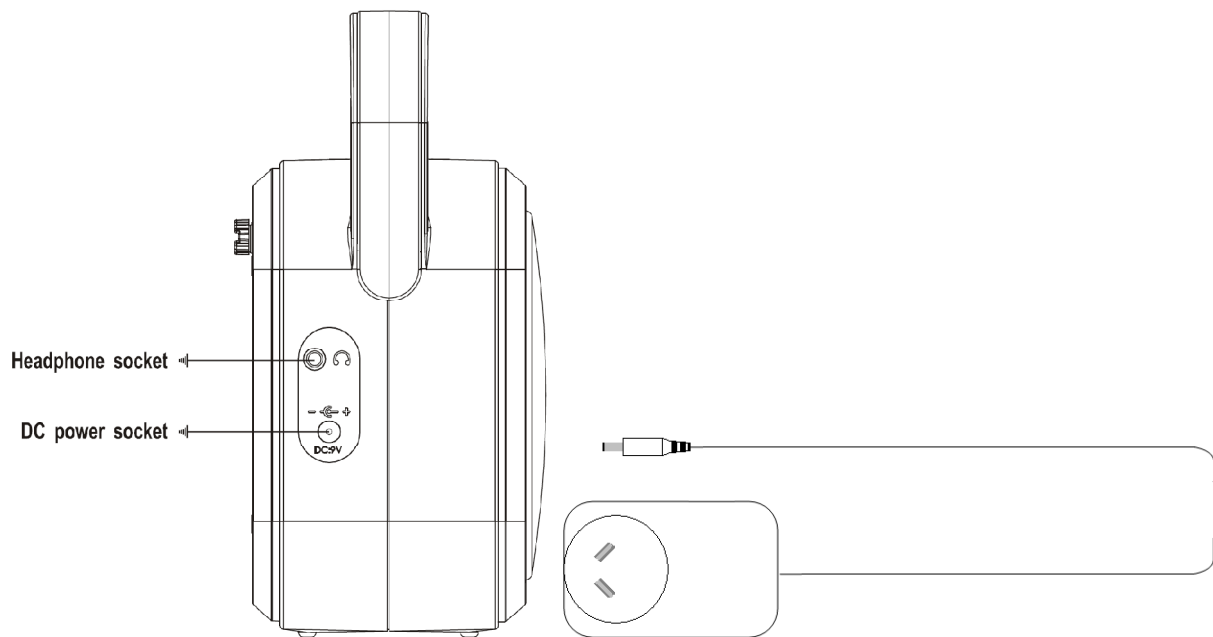
Language
<English>

What's in the box: 1 DAB+ Radio, 1 Power Adaptor, 1 Quick Start Guide

LASER

DAB-DG200

QUICK START GUIDE



For further product information and instruction please visit our product web page
www.laserco.net

LASER

Free Manuals Download Website

<http://myh66.com>

<http://usermanuals.us>

<http://www.somanuals.com>

<http://www.4manuals.cc>

<http://www.manual-lib.com>

<http://www.404manual.com>

<http://www.luxmanual.com>

<http://aubethermostatmanual.com>

Golf course search by state

<http://golfingnear.com>

Email search by domain

<http://emailbydomain.com>

Auto manuals search

<http://auto.somanuals.com>

TV manuals search

<http://tv.somanuals.com>