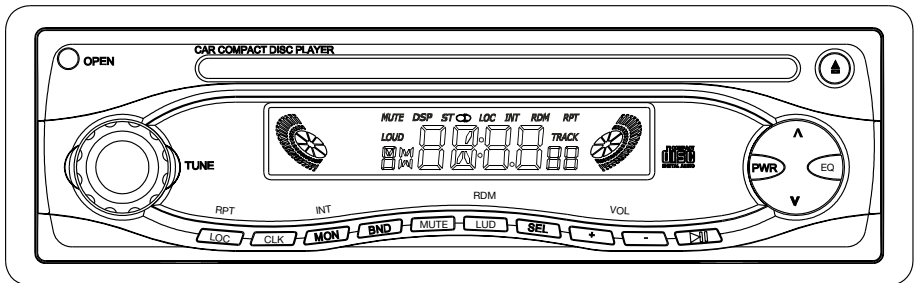


# LEGACY<sup>®</sup>

## LCD16DX

### INSTRUCTION MANUAL

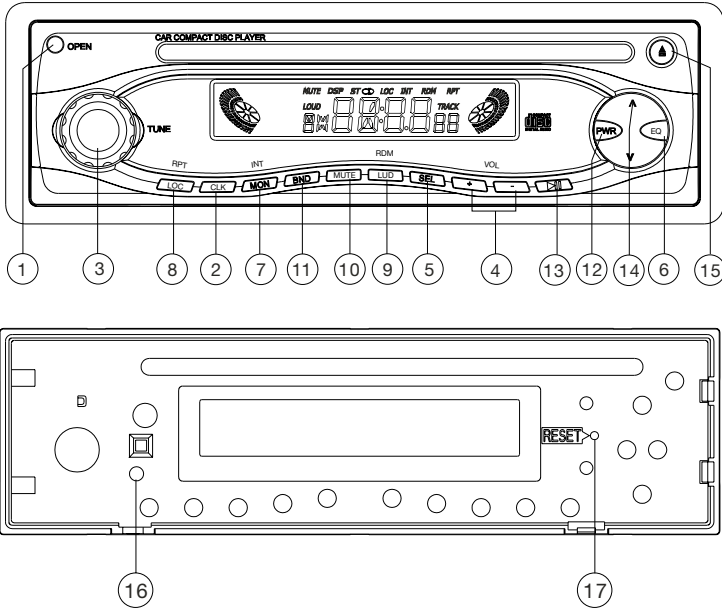
---



**AUTO-LOADING COMPACT DISC PLAYER  
AM/FM-STEREO MANUAL TUNING RADIO**

[www.legacyaudio.com](http://www.legacyaudio.com)

# BASIC OPERATION



## 1. REL BUTTON

Press it to detach the front panel when you want to take the unit away.

## 2. CLOCK ADJUSTMENT BUTTON

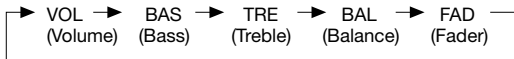
Press it to change the display to clock display. In clock display, press CLK button for more than 2 seconds until time flashes on LCD, then press  $\nabla$  button to adjust hour. Press  $\wedge$  button to adjust minute. When adjustment is completed, release it.

## 3. TUNE BUTTON

Rotate it to select your desired broadcasting station.

## 4.5. VOLUME +/- & SEL BUTTON

Press SEL button to change the mode as below:



A. The volume level can be adjusted at any time by pressing the + or – button as select mode has been initially defaulted at volume mode.

B. Press the SEL button to select volume, bass, treble, balance, fader mode, then use Volume + or – button to adjust them.

Note: The fader function for 4 speakers system only.

## 6. EQ BUTTON

Press it repeatedly to switch between 3 preset equalizer curves: CLAS, POP and ROCK. The sound quality will be changed.

# **BASIC OPERATION**

---

## **7. MON/INT BUTTON**

MON MODE: Press it to select mono or stereo mode.

INT MODE: During CD mode, press INT (intro) button to hear the first 10 seconds of each track on the disc. Press this button again to restore the player to its normal play mode.

## **8. LOC/RPT BUTTON**

LOCAL/DISTANCE MODE: When in the radio mode, press it to select local or distance broadcast station receive sensitivity.

REPEAT MODE : During CD mode, press RPT button to repeat a single track.

## **9. LUD/RDM BUTTON**

LUD MODE: When reduce the volume to half level, press it to enhance the bass effect.

RDM MODE: During CD mode, press RDM button for more than 2 seconds to play all tracks in the random order, press it again to cancel the function.

## **10. MUTE BUTTON**

Press it to eliminate the sound immediately. Press it again to release this mode and recover the previous volume level.

## **11. BAND BUTTON**

RADIO MODE: Press it to select your desired radio band and the word which band is selected will be displayed on LCD.

CD MODE: Press it to change the mode to radio mode.

## **12. PWR BUTTON**

Press power button to turn on or off the unit.

## **13. ►|| BUTTON**

RADIO MODE: Change the mode to CDP mode.

CDP MODE: During CD playback, press it will stop play temporarily. Press it again to return to normal playback.

## **14. ^ or v BUTTON**

A. In CD mode, press ^/v button during playback to skip to next or back one track.

B. In CD mode, press and hold ^/v button for several seconds during playback to fast forward or fast reverse. Releasing the button to stop fast playing.

## **15. ▲ BUTTON**

Press ▲ (EJECT) button to stop CD play and eject CD from the slot.

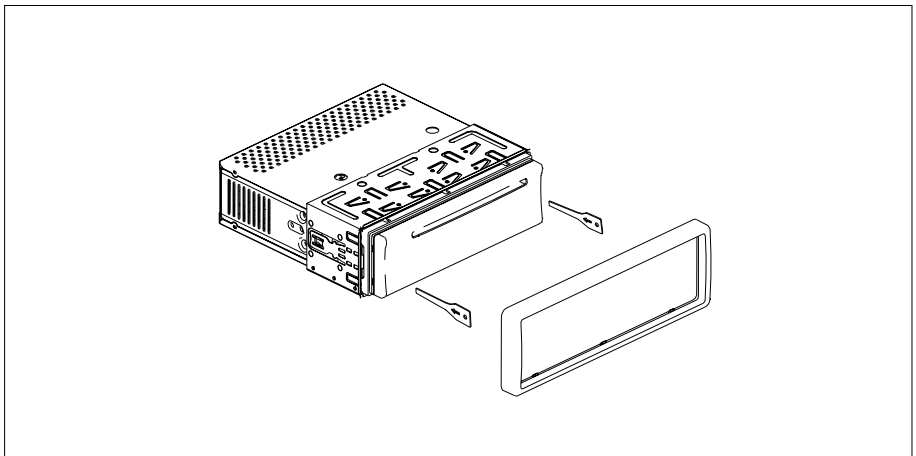
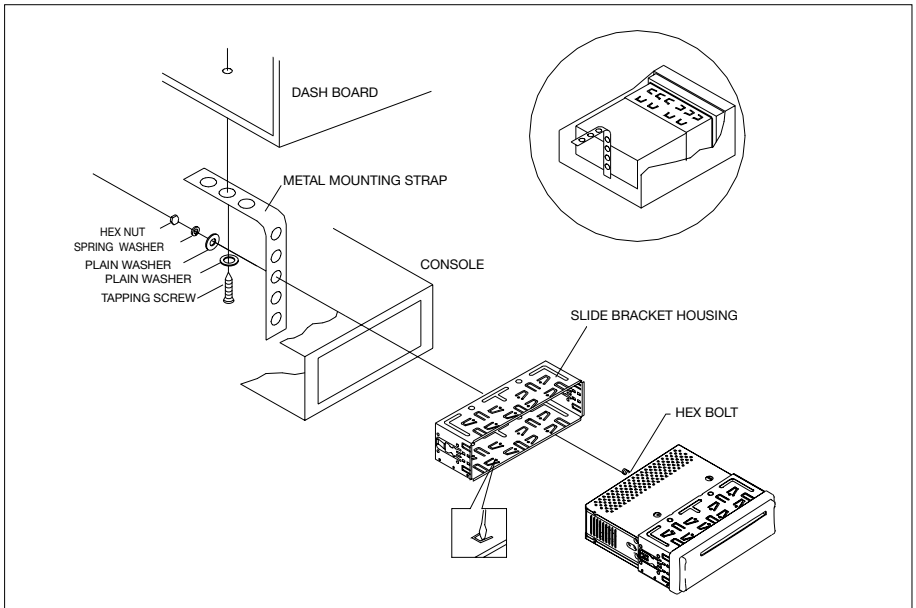
## **16. LED INDICATOR**

Flashing when detachable panel is removed.

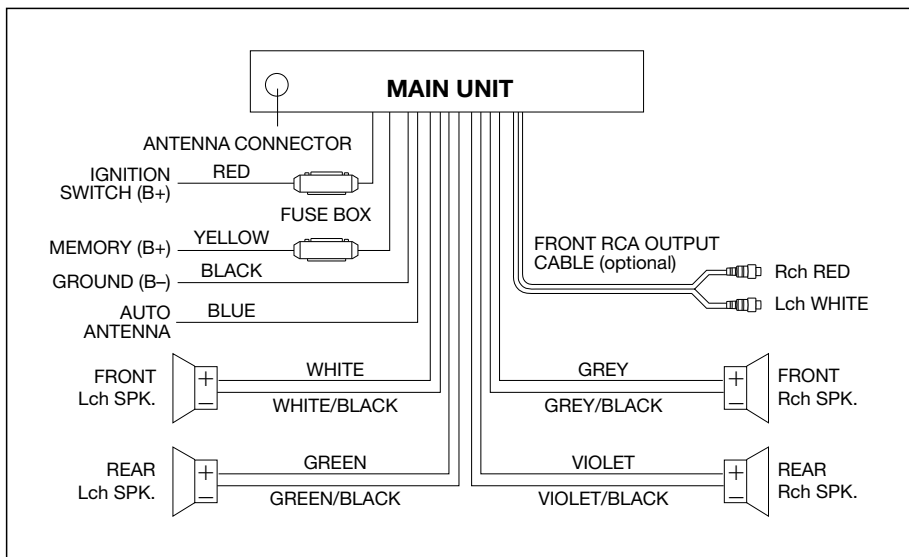
## **17. RESET BUTTON**

Press it to rehabilitate the distorted program to zero.

# INSTALLATION



# ELECTRIC CONNECTION

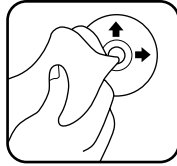


# DISC NOTICE

---

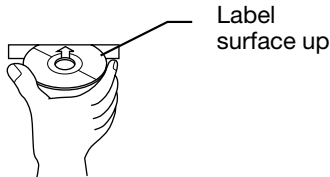
## Cleaning discs

Before playing, clean the disc with a clean, lint-free. Flip the disc in the direction of the arrow.



## NOTE:

Do not use so solvents such as benzine, thinners. Commercially available cleaners or anti static spray damage the unit. Insert a disc with the label surface down. Doing so may damage the unit.



## NOTE:

Do not try to insert another disc when one has been already inserted. Doing so may damage the unit. Handle the disc by its edge. And to keep the disc clean, do not touch the surface.



Do not stick paper or tape on the disc. Do not expose the disc to direct sunlight or heat sources such as hot air ducts. Or leave it in a car parked in direct sunlight where there can be a considerable rise in temperature.

# SPECIFICATIONS

---

Supply voltage : 12V DC (11V-15V), test voltage 14.4V, negative ground  
 Current consumption : Less than 5A  
 Audio signal output characteristics : (1) Frequency response 20 Hz-20 kHz  
 (2) S/N Radio 85 dB (JIS)  
 (3) Wow and Flutter Below measurable limits

	For 3 Bands (Europe) <b>FM</b>	For 2 Bands (Europe) <b>FM</b>	For 2 Bands (U.S.A) <b>FM</b>
Frequency Coverage	: 88 to 108MHz	: 88 to 108MHz	: 88 to 108MHz
IF:	10.7MHz	10.7MHz	10.7MHz
Sensitivity(S/N=30dB)	: 20dBu	20dBu	20dBu
Stereo Separation	: >30dB	>30dB	>30dB

	<b>MW</b>	<b>MW</b>	<b>AM</b>
Frequency Coverage	: 540 to 1600KHz	540 to 1600KHz	530 to 1710KHz
IF:	455KHz	455KHz	455KHz
Sensitivity(S/N=30dB)	: 40dBu	40dBu	40dBu

	<b>LW(optional)</b>
Frequency Coverage	: 150 to 280KHz
IF	: 455KHz
Sensitivity(S/N=30dB)	: 45dBu

**Note:**

Specifications and design are subject to modification, without notice, due to improvements in technology.

# TROUBLE SHOOTING

Before going through the check list, check wiring connection. If any of the problems persist after check list has been made, consult your nearest service dealer.

Symptom	Cause	Solution
No power.	The car ignition switch is not on.	If the power supply is properly connected to the car accessory terminal, switch the ignition key to "ACC".
	The fuse is blown.	Replace the fuse.
Disc cannot be loaded or ejected.	Presence of disc inside the player	Remove the disc in the player, Then put a new one
	Inserting the disc in reverse direction.	Insert the compact disc with the label facing upward.
	The disc is extremely dirty or defective	Clean the disc or try to play a new one.
	Temperature inside the car is too high.	Cool off or until the ambient temperature return to normal.
	Condensation.	Leave the player off for an hour then try again.
No sound.	Volume is in minimum.	Adjust volume to a desired level.
	Wiring is not properly connected.	Check wiring connection.
Sound skips.	The installation angle is more than 30 degrees.	Adjust the installation angle less than 30 degrees.
	The disc is extremely dirty or defective disc.	Clean the compact disc, then try to play a new one.
The operation keys do not work.	The built-in microcomputer is not operating properly due to noise.	Press the RESET button. Front panel is not properly fixed into its place.
The radio does not work.	The antenna cable is not connected.	Insert the antenna cable firmly.
	The signals are too weak.	Select a station manually.



## Free Manuals Download Website

<http://myh66.com>

<http://usermanuals.us>

<http://www.somanuals.com>

<http://www.4manuals.cc>

<http://www.manual-lib.com>

<http://www.404manual.com>

<http://www.luxmanual.com>

<http://aubethermostatmanual.com>

Golf course search by state

<http://golfingnear.com>

Email search by domain

<http://emailbydomain.com>

Auto manuals search

<http://auto.somanuals.com>

TV manuals search

<http://tv.somanuals.com>