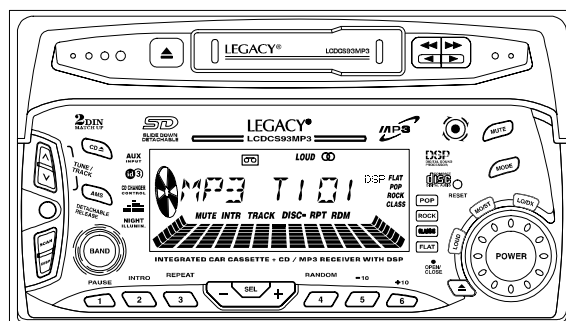


OWNER'S MANUAL

LEGACY®

INTEGRATED CAR CASSETTE + CD/MP3 PLAYER
WITH DSP CONTROL
SUPER POWER OUTPUT
SLIDE-DOWN FACE DETACHABLE PANEL
FM-AM FM-MPX RADIO RECEIVER
WITH REMOTE CONTROL

MODEL: LCDCS93MP3



P / N : 570-111804-01

BEFORE YOU BEGIN INSTALLATION

Before you begin to install the car radio, please follow the below procedure in step by step. Otherwise, the CD Player can not be operated properly.

- A) Put the detachable panel back to the car radio as shown in Diagram A (point 1 and 2).
- B) Press the slide down eject button (Diagram A point 3) until the panel is in horizontal position as shown in Diagram B.
- C) Take out the warning label as shown in Diagram B (point 4).
- D) Pull out the CD Protection Card in the middle of the radio as shown in Diagram C. After that, the radio is ready to used.

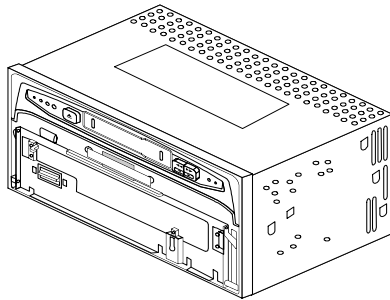


Diagram A

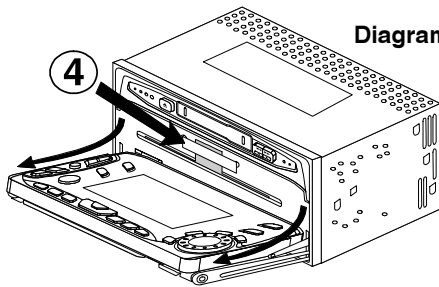
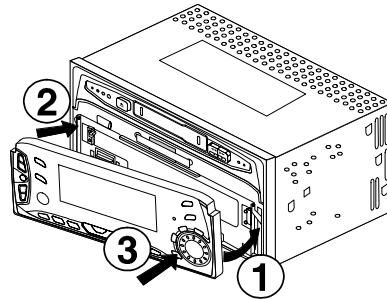


Diagram B

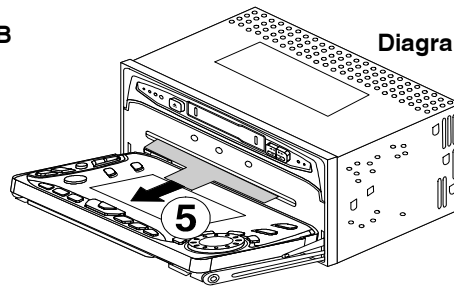


Diagram C

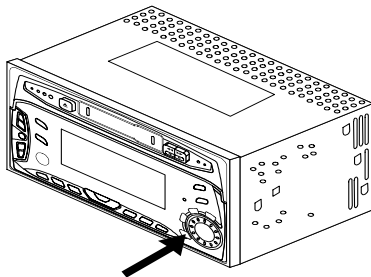
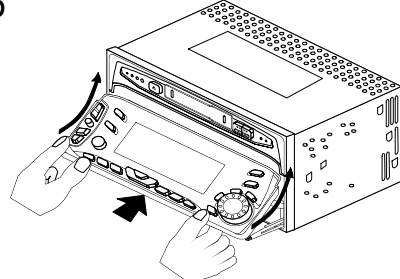
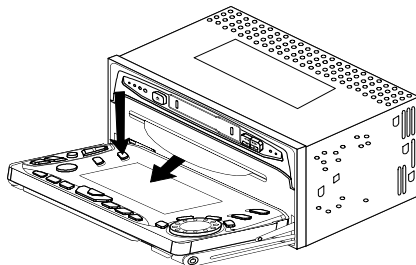
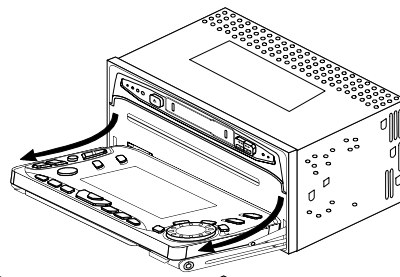
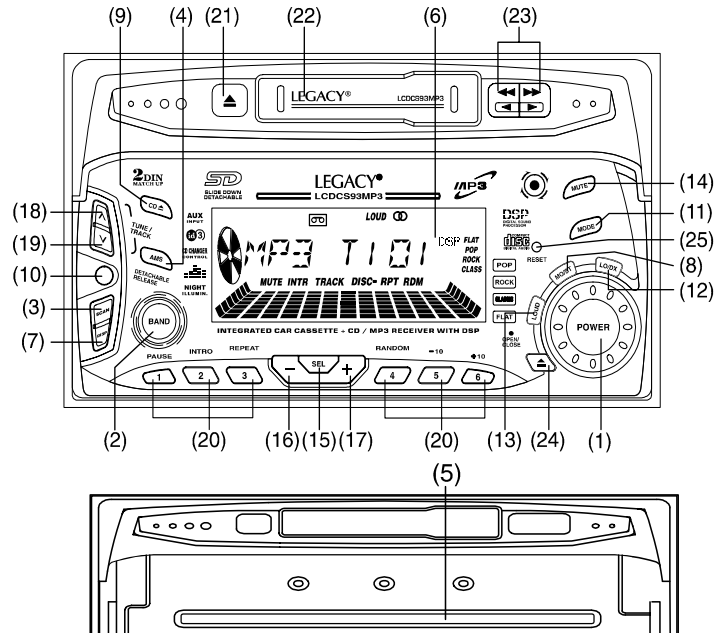


Diagram D



LOCATION OF CONTROLS



OPERATING INSTRUCTIONS

1. POWER ON/OFF CONTROL

Press the button to turn the power "ON" or "OFF".

Note : The unit can be turn on by pressing any keys on the panel (except panel release button & disc eject button). It will help the user who cannot find the power button in dark.

2. BAND SELECTOR

Each time this button is pressed, the radio band is changed. The indication "FM1", "FM2", "FM3", "MW1" or "MW2" will appear on the display according to your selection.

3. SCAN CONTROL

Press this button to scan the receivable FM / MW stations. When receivable stations are tuned in, they are monitored for approximately 5 seconds before advancing to the next receivable station. Press SCAN button once again to stop scanning as desired.

4. PRE-SCAN/AUTO-STORE BUTTON

This button allows you to enjoy "Preset Memory Scan" function by pushing it shortly, and "Auto-Store Memory" function by pushing it more than 2 seconds.

- * PS (PRESET MEMORY SCAN) - It calls the memorized station frequencies (from 1-6) automatically every 5 seconds.
- * AS (AUTO-STORE MEMORY) - It searches all station frequencies upward and memorize automatically 6 stations by catching the frequency which has scan-stop level, the memorized station is shown on LCD as "CH1...6". After memorizing, auto-store memory function will be changed to "Preset Memory Scan" function automatically.

5. DISC SLOT

Holding the disc and insert into the disc slot. The disc mechanism will automatically engage into CD/MP3 play mode.

6. LCD DIGITAL DISPLAY

The unit utilizes a digital type display which shows numerical indication of station FREQUENCY and other FUNCTIONS.

7. DISPLAY CONTROL

The display key serves to show available information as following:

- Time
- Track No. / Playing Time (during CD and MP3 mode)
- Directory Name / File Name (during MP3 mode and the file must contain directories or files name written by the CD writer)

SETTING CLOCK TIME

1. Press CLOCK button and hold it until the display flash and release.
2. Press "+" button to set HOUR and press "-" to set MINUTE.

- 8. STEREO/MONO CONTROL**
Press this button to select "FM STEREO" or "MONO" reception.
- 9. DISC EJECT BUTTON**
Press this eject button will eject the compact disc.
Note: If you want to release the compact disc, press the release slide down button (# 24) first until the panel is in horizontal slide position (Diagram B). Then, press the disc eject button and the compact disc will eject automatically.
- 10. DETACHABLE RELEASE BUTTON**
Press this button to release the detachable panel. To detach the front panel, press the button so that the left side of the panel is released. Grasp the released side and pull it off of the chassis. To re-attach the panel, position the right side of the panel in place first and then press the left side of the panel until the mechanism locks it into place.
- 11. MODE SELECTION**
Press this button to select Radio (TUNER), Cassette Tape (TAPE), CD/MP3 (S-CDP), CD Changer Head Unit Control (CDC) or Auxiliary input (AUX) mode.
- 12. LOCAL/DISTANT SELECTOR**
Press this button to prevent strong local stations from overlapping weaker stations. For normal operation, press this button again for distance.
- 13. LOUD CONTROL**
Press this button to activate the loudness circuitry which compensates for loss of high and low frequencies during low volume levels.
- 14. MUTE CONTROL**
Press this button to mute the volume control and "MUTE" will appear on LCD display.
- 15. AUDIO / SETTING SELECT**
Briefly press the button to select volume, bass, treble, balance or fader adjustment in cyclical mode.
When pressing the button for more than 2 seconds, it activates as unit setting selection in cyclical mode as following. The unit setting can be changed by using either "VOL+" or "VOL-" button.
- **DSP OFF/ POP M/ ROCK M/ CLASS M/ FLAT M**
 - **BEEP OFF/BEEP ON** (not available for this model)
 - **SEEK 1** (tune up/down button performs fast tune function)/**SEEK 2** (performs auto tuning function when tune up/down button pressed more than 1 second)
 - **COLOR 1 / COLOR 2** (not available for this model)
 - **VOL LAST / VOL ADJ** (preset volume level when unit turn on)
- 16/17. AUDIO LEVEL DOWN/UP CONTROL (- Button) / (+ Button)**
Press "SEL" button shortly and then pressing "+" or "-" button to adjust level of volume, bass, treble, balance or fader.
- **VOLUME** - Press the (+) button to increase, or (-) button to decrease volume level.
 - **BASS** - While "BASS" is being displayed, press (+) button to increase or (-) button to decrease the bass level.
 - **TREBLE** - While "TREB" is being displayed, press (+) button to increase or (-) button to decrease the treble level.
 - **BALANCE** - While "BAL" is being displayed, press (+) or (-) button to level balance of speaker right and left.
 - **FADER** - While "FAD" is being displayed, press (+) or (-) button to level fader of speaker front and rear.
- 18/19. MANUAL UP/DOWN TUNING / TRACK SEEK UP/DOWN CONTROL**
On radio mode, press the button will tune one frequency step higher or lower. Pressing the button more than 1 second can performs fast tuning function or auto tuning function.
On CD/MP3 or CD Changer Head Unit Control mode, press this button will locate the beginning of the track being played or will locate the beginning of the next track. When pressing more than 2 seconds, it will move fast forward or fast backward to a specific position of a CD/MP3 track.
- 20. STATION PRESET BUTTON (1-6)**
The PRESET BUTTONS on the unit are used to store station frequencies which you may wish to recall. Each preset button can store FM1, FM2, FM3, MW1, MW2 station frequency. Pressing the button momentarily recalls the station frequency which was memorized. There are 6 preset buttons, giving you capability of storing 18FM / 12MW.
NOTE: When the preset button to be memorized is kept pressed for more than 2 seconds, the receiving station frequency will be stored in the button pressed. After this, the memorized station can be recalled by pressing the button once.
- On CD/MP3 / CD Changer Head Unit Control Mode**
- **Preset 1** - press this button to pause the disc played.
 - **Preset 2** - press this button to scan the first 10 seconds of all the tracks on the currently selected disc.
 - **Preset 3** - press this button to repeat the current track of the disc.
 - **Preset 4** - press this button to play disc at random order - Disc shuffle play.
 - **Preset 5** - press this button to search -10 track (**for MP3 Mode only**);
- press this button to search previous disc numbers (**for CD Changer Head Unit Control Mode only**).
 - **Preset 6** - press this button to search +10 track (**for MP3 Mode only**);
- press this button to search the disc numbers ahead (**for CD Changer Head Unit Control Mode only**).
- 21. EJECT TAPE BUTTON**
Depressing the eject button will stop the tape play and eject the cassette.
- 22. TAPE SLOT**
Holding the cassette lengthwise insert into the tape slot. The tape mechanism will now engage into the cassette play mode when play mode is selected.

23. REWIND/FAST FORWARD BUTTON

When tape mode is selected, at the end of tape in fast forward or rewind, the unit will automatically select play mode. To release either fast forward or rewind button from the lock position, push in the other button approximately half-way. During cassette play, press the fast forward and rewind buttons simultaneously and the reverse side of the tape will play automatically.

24. SLIDE DOWN EJECT BUTTON

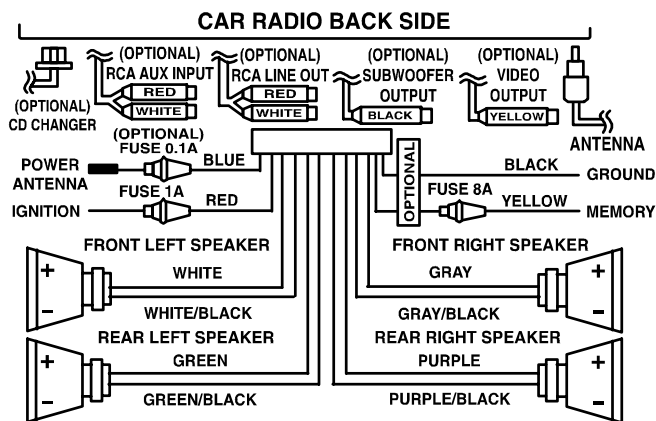
Press this button to let the panel slide down from vertical position to horizontal position. The disc slot is shown. To put the panel back to original position, use your fingers to push up the panel upwards until the panel is locked in vertical position.

25. RESET BUTTON

This RESET button is recessed in order to prevent accidental engagement, and can be activated with the tip of a ball-point pen or any similar pointed object. This reset circuitry is provided in order to protect the unit's microprocessor, and should only be activated under the following conditions:

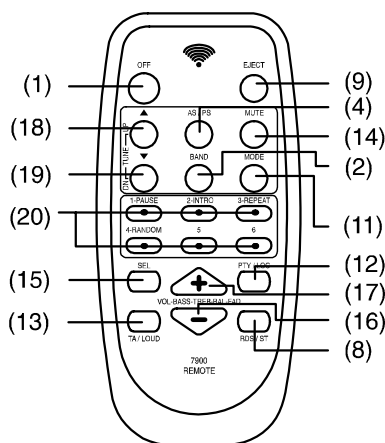
- a) Initial installation after all wiring is completed.
- b) Abnormal operation is encountered such as numeric indication on display is erratic.
- c) Whenever the reset button is activated, all preset memory content will be erased and must be reprogrammed.

WIRE CONNECTION



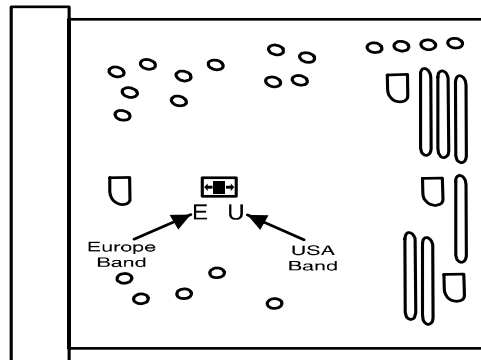
CAUTION : DO NOT GROUND ANY SPEAKER WIRES TO CHASSIS (-).

REMOTE CONTROL



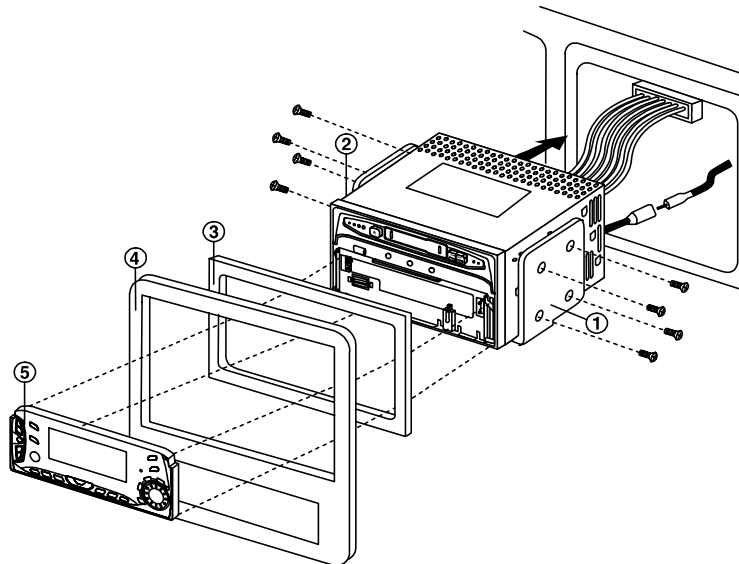
BAND SWITCH

Use small screw driver to select either in Europe or in USA band stepping by moving the switch left or right.



INSTALLATION

1. Install brackets and screws removed from your old radio (not provided with this radio).
2. Slide radio and frame into dash opening.
3. Trim ring has precut grooves on the back of it. The size of the trim ring can be reduced (made smaller) for different types of installations. Hold the trim ring firmly in one hand, and using a pair of pliers, grasp the trim ring above the score line (groove) and bend gently back and forth a couple of times. Then, the piece should break away.
4. Install dash panel.
5. Install faceplate by fitting right edge into position then pushing left edge closed.



P/N: 570-111804-01

P/N: 570-111804-01

Free Manuals Download Website

<http://myh66.com>

<http://usermanuals.us>

<http://www.somanuals.com>

<http://www.4manuals.cc>

<http://www.manual-lib.com>

<http://www.404manual.com>

<http://www.luxmanual.com>

<http://aubethermostatmanual.com>

Golf course search by state

<http://golfingnear.com>

Email search by domain

<http://emailbydomain.com>

Auto manuals search

<http://auto.somanuals.com>

TV manuals search

<http://tv.somanuals.com>