

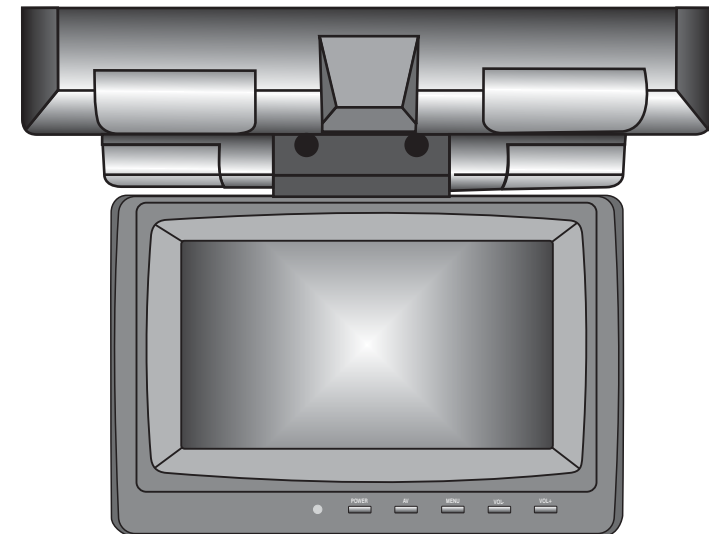
Specifications

Power Requirements	DC 12V
Power Consumption	9W
Screen Size	7.2" TFT-LCD
Screen Format	16:9 Wide
Resolution Pixel	1034*234
A/V Inputs	Video Input 2EA
Dimensions	(W)8.66×(D)8.73×(H)1.5inch
IR Power Requirements	DC 12V
IR Power Consumption	3W
IR Transmitter Frequency	Right 2.8MHz Left 2.3MHz
LCD Panel Type	Active Matrix TFT
Compatible video standard	NTSC

*Although the effective pixels for the liquid crystal panel is given as 99.98% or more, 0.02% of pixels may not light or may light incorrectly.

LSWR72IR

7.2INCH FLIP DOWN TFT- LCD MONITOR



OWNER'S MANUAL

Troubleshooting check list

- * Please make these simple checks before calling for assistance.
- * If the TV is to be used in conjunction with any other equipment, read the other product's instruction manual.
- * If you choose not to follow the below checklist or any problems you are experiencing with this product are not solved, never attempt to repair a defective TV yourself. Check with your dealer or call a TV technician.

No picture & no sound

- * Power cord inserted into power source correctly.
- * Another product's cord inserted into TV correctly.
- * Check the signal in AV mode.

No picture

- * Check the rod antenna for proper spread and control antenna angle and length.
- * Check the signal in AV mode.
- * Adjust the contrast and brightness settings.
- * Move to another area where better reception might be possible.
- * Check outer antenna connections as for whether they are cut or disconnected.

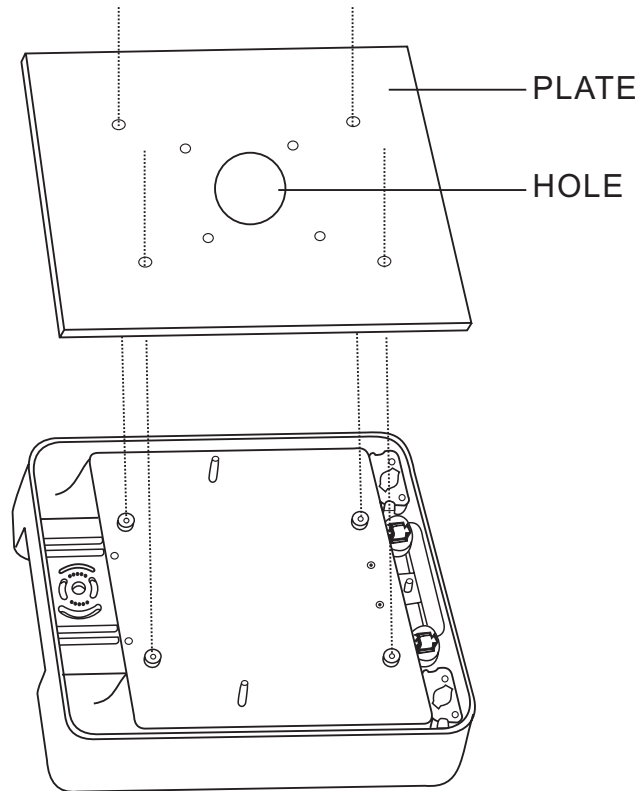
TV not responding to remote control

- * Check whether the batteries have sufficient power. Replace if necessary.
- * Check whether the batteries are correctly installed in the remote control.
- * Check the remote control sensor lens on the TV and the distance and angle on the remote control(2m,30°).

Installation guide

- 1、 Using self-tapping screws to attach mounting plate to selected position.
- 2、 Install on to the mounting plate using 4X long screws supplied.

Notice: All the lines comes out from the plate through the hole.



Contents

We very thank for your purchase.

Please read this user's Manual in detail and use the set properly.

Caution	3
For Operating Monitor	4
Operation Function	5
Remote Function	6
IR Function	7
Connections	8
Installation Guide	9
Troubleshooting Check List	10
Specifications	11

Caution

Read this page in detail in order to protect people's health or assets.

- Driver never operates while driving.
Driver may cause car accident by watching monitor while driving.
- Do not disassemble or remodel the device.
- Use proper volume while driving.
- When you set-up the device, get advice with qualified engineer.
- Do not watch monitor for long time under the condition of stopping engine.
- Do not drop or give strong impact to LCD panel.
- Do not recharge, disassemble or heat the remote control battery.
- Keep remote control battery away from child.
- Use only soft cloth with non-ammonia glass cleaner to clean the panel.

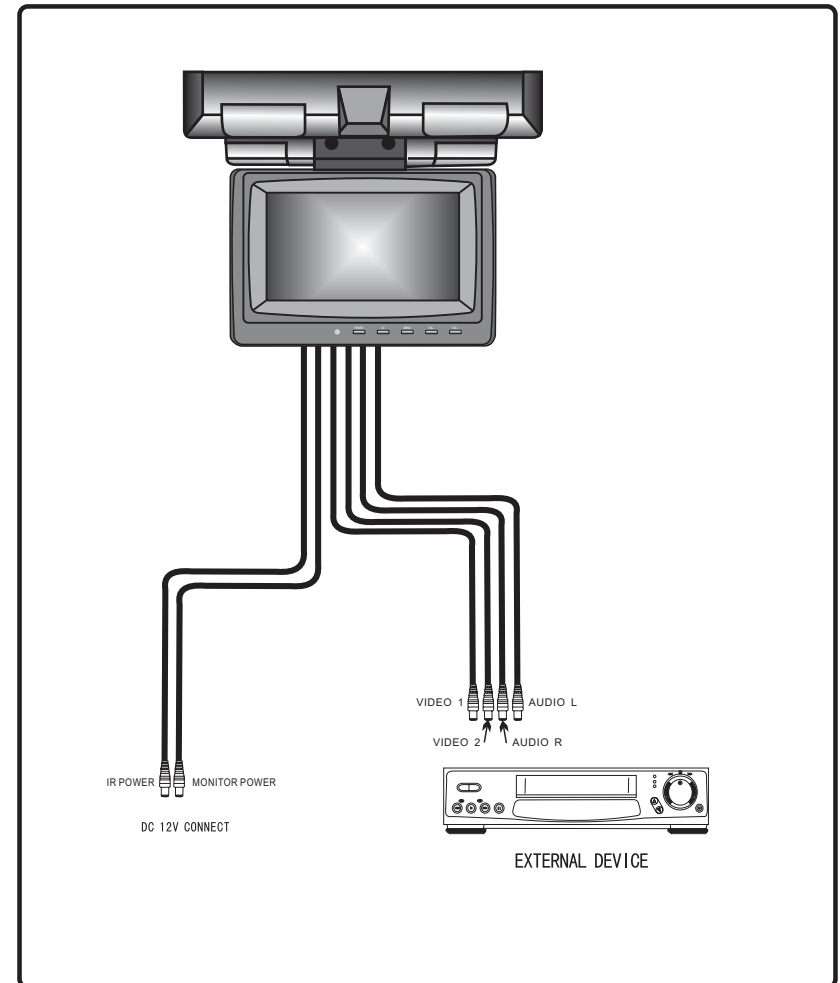
Check Point

- 1 The range of preservation temperature for the device is from -20°C to 80°C
Be cautious that the inside temperature of car may rise up to 100°C in summer time.
- 2 The monitor picture may not be displayed normally when it is higher or lower than the using temperature.
In this case, the screen will be back normal condition after minutes.
The range of using temperature for the device is from 0°C to 40°C.
- 3 You can watch the best picture condition when you are in the front side.



(Visual Angle)

Connections



IR Function

Our monitor is equipped with a wireless Infrared stereo headphone .
Please read headphone user's Manual in detail to properly use.

STEREO HEADPHONE COMPOSITION

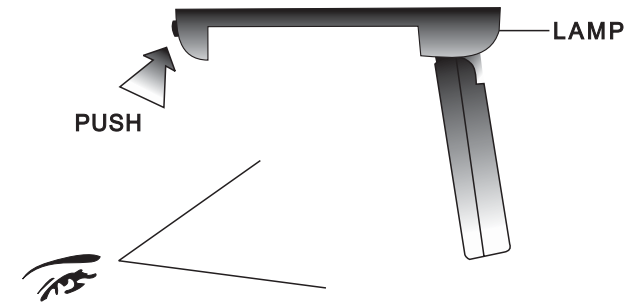


- ① IR sensor
- ② Power light
- ③ Power on/off headphone
- ④ Volume control
- ⑤ Power light
- ⑥ battery charger input jack

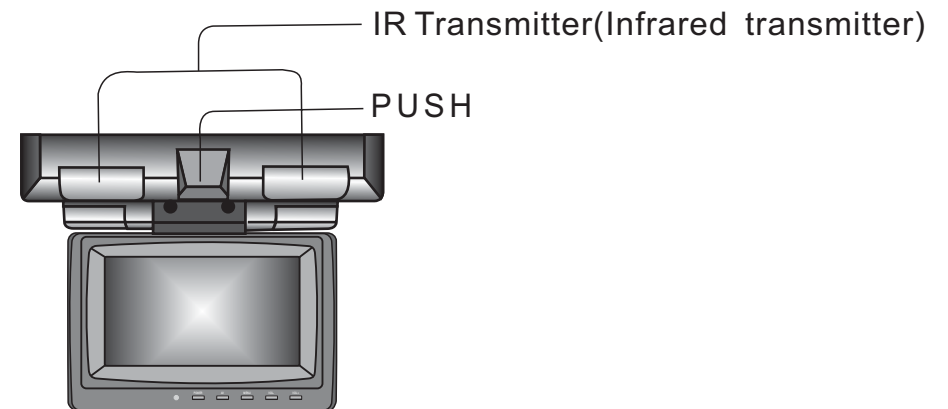
STEREO HEADPHONE EFFECTIVE RANGE



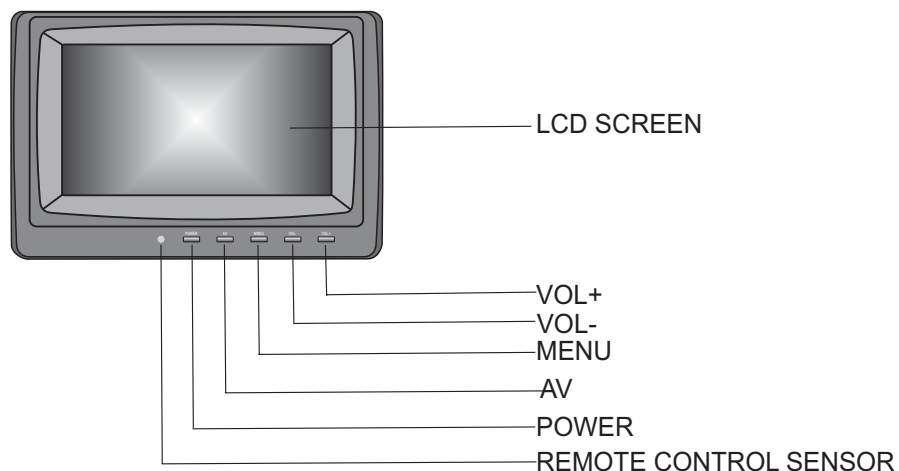
For Operating Monitor



Eject monitor set by pressing PUSH button and then, adjust monitor set for your comfortable watching.



Operation Function



Interface switch Function

Power: power ON/OFF

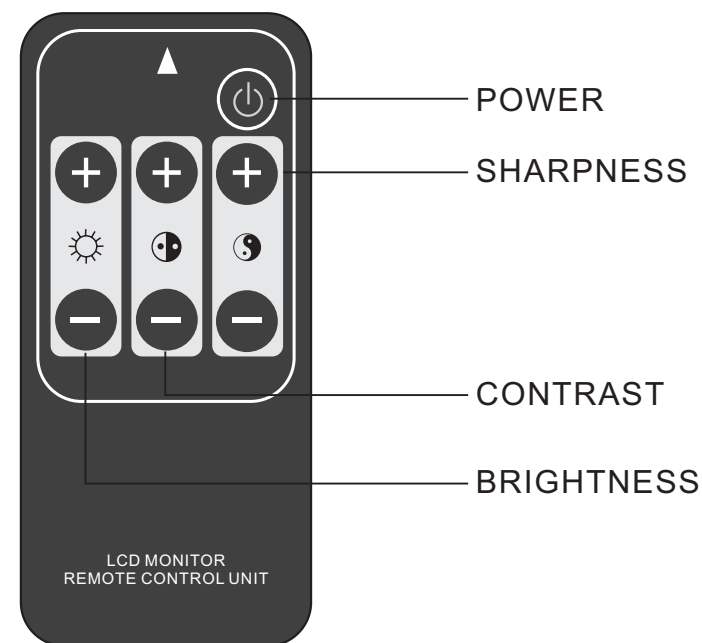
AV cvbs signal select

Menu: Pressing this key can invoke OSD menu. After then, it is an Enter key.

VOL+: Move on screen highlight to next command item/Increase current option value

VOL-: Move on screen highlight to previous command item/Decrease current option value

Remote Function



Power: Power on/off

Sharpness: adjust video decoder sharpness control

Contrast: adjust video decoder contrast control

Brightness: adjust video decoder off set control

Free Manuals Download Website

<http://myh66.com>

<http://usermanuals.us>

<http://www.somanuals.com>

<http://www.4manuals.cc>

<http://www.manual-lib.com>

<http://www.404manual.com>

<http://www.luxmanual.com>

<http://aubethermostatmanual.com>

Golf course search by state

<http://golfingnear.com>

Email search by domain

<http://emailbydomain.com>

Auto manuals search

<http://auto.somanuals.com>

TV manuals search

<http://tv.somanuals.com>