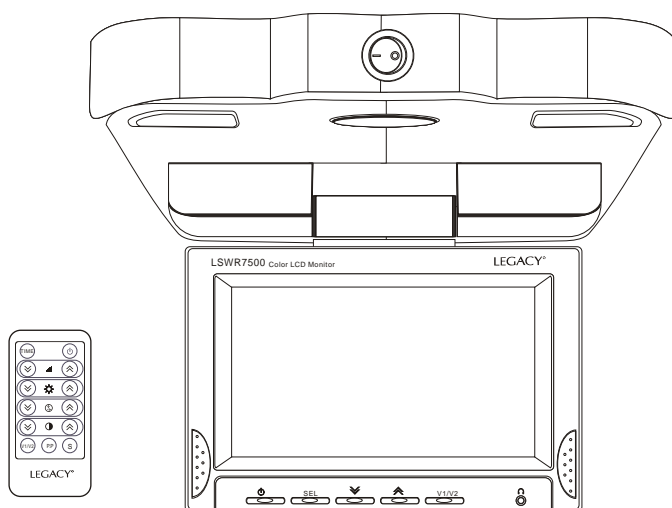


7.2 inch ROOF MOUNT

LSWR7500

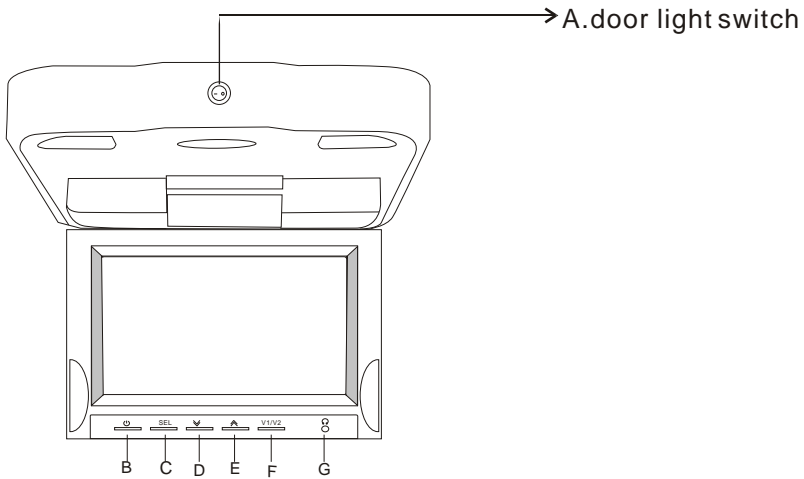


www.legacycaraudio.com

Precaution:

1. To prevent short-circuiting of the electrical system and cause serious damage to the unit or the vehicle, you are advised to follow the instructions carefully.
2. Should there be requirement to replace blown fuse, do remember to disconnect all power supply and switched off the unit before replacing it with a new one. Use only correct rating fuse to avoid damage the unit.
3. During operation, if there is symptom of over-heating or system mal-function, do switch off the unit and consult your dealer immediately. Please do not attempt to open up the unit since there is no serviceable parts inside.
4. Do not drop the LCD display panel of subject it to direct impact.
5. Should the LCD panel is broken, do avoid all human contact to the broken glasses or fluid leaked out from the enclosure. If come into contact, do flush and clean affected areas with plenty of water. Seek medical attention immediately.
6. Do not use any chemical solvent, cleaning agent or corrosive detergent to clean away dirt on the surface of the screen. By doing so, you may cause irreversible damage to the surface of the TFT screen. To clean off dirt or finger prints, we recommend the use of a soft damp lens cleaning cloth.
7. Do not drop the monitor or hit it with hard object. It may cause permanent damage to the LCD panel or the back light element.
8. When operating the display unit, avoid touching or pressing the LCD glass panel. Excessive force may cause irreparable damage to the LCD screen.
9. Ensure no metal or foreign materials are dropped in between the display screen and enclosure. Obstacles may impact smooth running of the tray and may cause electrical shocks.

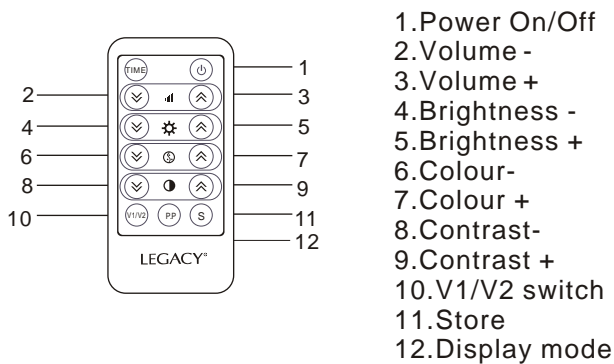
LSWR7500



Panel

- | | |
|------------------------|------------------------|
| A. Door light On/Off | B. Power On/Off |
| C. Active menu | D. Negative adjustment |
| E. Positive adjustment | F. V1/V2 switch |
| G. Earphone jack | |

Remote control



Specifications:

Screen size:	7.2 Inch
System:	NTSC
Power source/Consumption:	DC12V+/-10%,<700m
Video Input:	Composition Video signal
Operating Temperature:	0°C~+60°C
Storage Temperature:	-10°C~+80°C
Display Method:	Color LCD
Resolution(HXV):	640X480
Back light:	Cold Cathode Fllament Tube

Accessories

- 1Xmonitor 1XRemote controller
- 1XInstrtucon manual

Free Manuals Download Website

<http://myh66.com>

<http://usermanuals.us>

<http://www.somanuals.com>

<http://www.4manuals.cc>

<http://www.manual-lib.com>

<http://www.404manual.com>

<http://www.luxmanual.com>

<http://aubethermostatmanual.com>

Golf course search by state

<http://golfingnear.com>

Email search by domain

<http://emailbydomain.com>

Auto manuals search

<http://auto.somanuals.com>

TV manuals search

<http://tv.somanuals.com>