



## **OPERATING INSTRUCTIONS**

**OmniSource® 467 - MODEL BCR467**

### **INTRODUCTION**

Thank you for purchasing LENMAR's OmniSource 467, model BCR467. With it you can charge AA, AAA and virtually all 4.8, 6, 7.2, 9.6 or 10 Volt camcorder batteries. This charger is compatible with Nickel Cadmium, Lead Acid, Lithium-Ion, Nickel-Metal Hydride, and NoMEM® batteries. The BCR467 will operate as an AC/DC Battery Charger and Reconditioner.

The OmniSource 467 will operate from a standard household AC outlet, or on the road from a 12 Volt cigarette lighter socket. It is a complete, convenient system to refresh, condition, and charge almost any of your rechargeable batteries.

### **Getting Ready...**

#### **CONNECTING THE POWER SUPPLY**

To charge or discharge batteries, either the AC Adapter or the DC Automotive Adapter must be plugged into the jack marked "DC INPUT" on the Base Module. Once you have done this, plug the power adapter into an AC receptacle or cigarette lighter (depending on which adapter you are using).

### **If You Have...**

#### **Nickel Cadmium (Ni-Cd) Batteries**

When you recharge a nickel-cadmium battery before it's fully drained, the battery "remembers" it is using less than a full charge, resulting in a loss of capacity. Because of this, the BCR467 has a Discharge / Charge feature which will automatically discharge your Ni-Cd battery and then charge it fully. Doing this will assure that you will get the maximum life out of your Ni-Cd batteries.

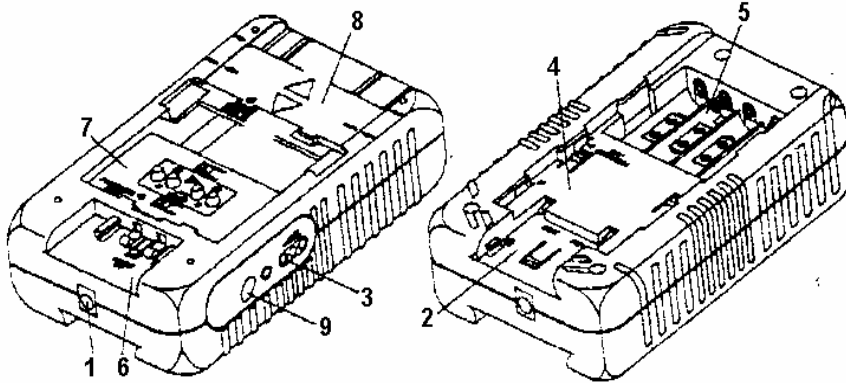
NoMEM, Lithium-Ion (Li-Ion), Nickel-Metal Hydride (Ni-MH), and Lead Acid (Pb) Batteries

These types of batteries do not have a problem with "Memory". Be sure to follow the recommended charging and storage instructions for the battery type you are using.

### **Using Your OmniSource 467**

#### **CHARGE MODE (for all battery types)**

Plug the appropriate adapter into the proper power source (either a household AC outlet or 12 Volt Car cigarette lighter) and plug the other end into the charger base module connector marked DC 12-18V INPUT. Insert the battery into the proper charging slot (see diagram for proper battery location).



- |  |  |   |
|--|--|---|
| 1. DC Power Input Jack - AC Adaptor or Car Cigarette Lighter Adaptor | 4. JVC/Panasonic /Hitachi/RCA 9.6 / 10V Batt | 7. Panasonic/Sony/Hitachi /JVC/RCA 4.8/6V Batt. |
| 2. Sony 7.2 Volt Li-Ion Battery                                      | 5. AA / AAA Battery (x4)                     | 8. Adjustable Sliding Plate                     |
| 3. Charge Indicator  | 6. Canon 6VBattery                           | 9. Discharge Button                             |

The charger unit will beep once to verify the battery is making proper contact and will begin to charge the battery. The charge indicator on the side of the unit will show the progress of the charge.

mll ð	mml ð	mmm ð	llm	
0-33%		33-66%	66-99%	Full
( l = OFF    m = ON    )				

The charger will automatically stop the charge and beep 3 times when a full charge is detected on the battery. The charge indicator will show only 1 Red light to indicate the battery has reached full charge. The time required to reach a full charge will vary depending on the capacity of the battery and how much charge is already in it before you start.

**NOTE:** Due to the special properties of Li-Ion batteries, the charge indicator may not accurately indicate the actual status of the battery as it charges and the charger may seem to be turning on and off by itself after the battery has reached a full charge. When this happens, the battery is ready for use, and should be removed.

#### **DISCHARGE / CHARGE MODE (for Ni-Cd type batteries)**

Plug the appropriate adapter into the base module, and insert the battery to be charged. Once the charger beeps to indicate that the battery is properly connected, press the Discharge button on the side of the unit. The unit will beep 2 times and the green Discharge light will go on. The DISCHARGE light will stay on until the battery is fully discharged, then the charger will switch automatically into the charge mode and charge the battery fully.

**NOTE:** You should only use the Discharge feature with a Ni-Cd type battery. Discharging other type batteries may cause damage.

## **SPECIFICATIONS:**

### **POWER SOURCE**

- AC Adapter - Output 14 VDC - 800mA, UL/CSA Approved
- 12 Volt DC Cigarette Adapter - Not to exceed 18 VDC

### **CHARGING CIRCUIT**

- Microprocessor Controlled Compatible with Ni-Cd, Ni-MH, Li-Ion, Lead Acid, NoMEM
- Automatic Volt. Select. (4.8V / 6V / 7.2V / 9.6V/10V)
- Current: AA/AAA type - 200mA, Sony 7.2V NP-500 type - 200mA, others - 780mA

- Detection: -DV (50mV) & DT (room temp. +10°C)
- Protection: Max. Voltage, Time, and Temperature

## DISCHARGING MODE

- Current - 400-450mA, Cut Off - 1V / Cell

## Battery Compatability

Charging Slot *	Battery Type Accepted **
Location 2	Sony - 7.2 Volt Li-Ion type
Location 4	Panasonic / JVC / Rca / Hitachi - 9.6/10 Volt types
Location 5	AA (UM-3), AAA (UM-4) Ni-Cd (4 batteries of same type required)
Location 6	Canon - All 6 Volt types
Location 7(plate (8) up)	Panasonic / JVC / Sony / Rca / Hitachi / Nikon / Minolta / Ricoh - 6 Volt types
Location 7(plate (8) down)	Panasonic - 4.8 Volt types

\*See diagram on previous page    \*\* May fit additional makes and models

### LIMITED 3 YEAR WARRANTY

This limited warranty starts from the date of original purchase and expires 3 years thereafter.

If, during this period, any part, because of manufacturing defects or workmanship fails to function properly under normal use will be repaired at no charge for parts and labor or, at our option, the product will be replaced. The following is excluded: damages from delay or loss of use of equipment, or damaged batteries, malfunctions resulting from misuse, tampering, unauthorized repairs, modifications, or accident.

Package the unit and its accessories carefully using ample padding material to prevent damage in transit and ship it prepaid and insured to:

LENMAR ENTERPRISES INC. USA , 4035 Via Pescador, Camarillo, CA 93012

When sending in product for service, your package should include evidence of date and place of purchase. Enclose \$10.00 for shipping and handling for addresses in the U.S. For outside the U.S. and Canada, freight will vary depending upon ship to address.

The following statement is required in the state of California pursuant to the settlement of an action brought by the Mateel Environmental Justice Foundation against multiple electronics and appliance manufacturers.

**WARNING:** Handling the cord on this product will expose you to lead, a chemical known to the state of California to cause birth defects or other reproductive harm. **Wash hands after handling.**

## Free Manuals Download Website

<http://myh66.com>

<http://usermanuals.us>

<http://www.somanuals.com>

<http://www.4manuals.cc>

<http://www.manual-lib.com>

<http://www.404manual.com>

<http://www.luxmanual.com>

<http://aubethermostatmanual.com>

Golf course search by state

<http://golfingnear.com>

Email search by domain

<http://emailbydomain.com>

Auto manuals search

<http://auto.somanuals.com>

TV manuals search

<http://tv.somanuals.com>