

INSTALLATION INSTRUCTIONS FOR BRICK PANEL KITS FOR USE WITH THE BELLA™ PELLET STOVE



KIT CONTENTS (See Figure 1)

- 1 ea. Left Side Brick Panel (item 1)
- 1 ea. Right Side Brick Panel (item 2)
- 1 ea. Back Brick Panel (item 3)
- 1 ea. Left Brick Panel Bracket (item 4)
- 1 ea. Right Brick Panel Bracket (item 5)
- 2 ea. 10-24 x 3/8" Socket Head Screws (item 6)
- 1 ea. Instruction Sheet

Cat. #	Model	Description
H3484	BELLA-BPK-T	Brick Panel Kit, Traditional

TOOLS NEEDED

5/32" Allen Wrench

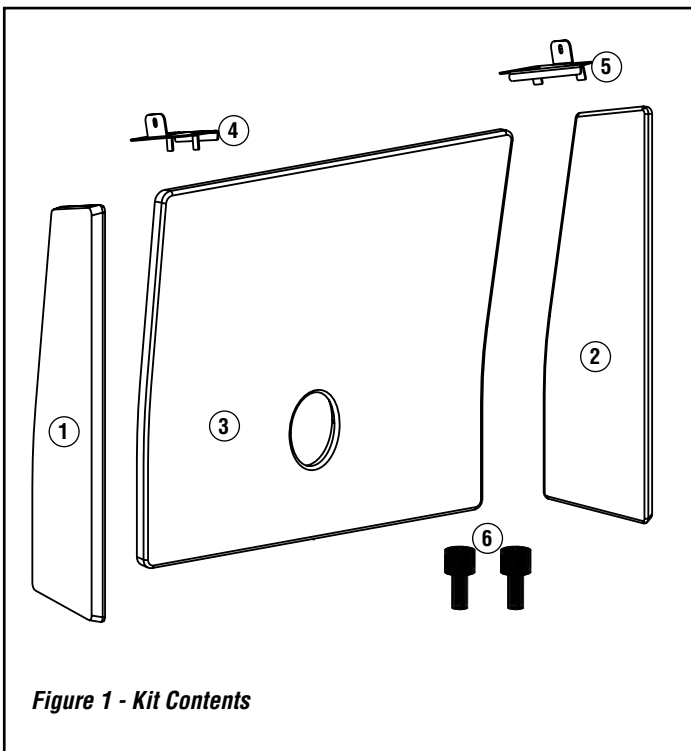


Figure 1 - Kit Contents

GENERAL INFORMATION

All of these parts may scratch and bend, great care should be used in handling them.

If you encounter any problems, need clarification of these instructions or are not qualified to properly install this kit, contact your local distributor or dealer. Read this instruction sheet in its entirety before beginning the installation. Failure to understand and follow these directions may result in damage to the brick panels.

ALL WARNINGS AND PRECAUTIONS IN THE INSTALLATION AND OPERATION MANUAL PROVIDED WITH THE APPLIANCE APPLY TO THESE INSTRUCTIONS.

TURN OFF THE STOVE AND ALLOW IT TO COMPLETELY COOL BEFORE PROCEEDING.

INSTALLATION INSTRUCTIONS

- Step 1.** Open front glass door and remove burn-pot.
- Step 2.** Locate the socket head screw in the inside of the firebox (see Figure 2) and remove with 5/32" allen wrench.
- Step 3.** Repeat step 2 on opposite side.

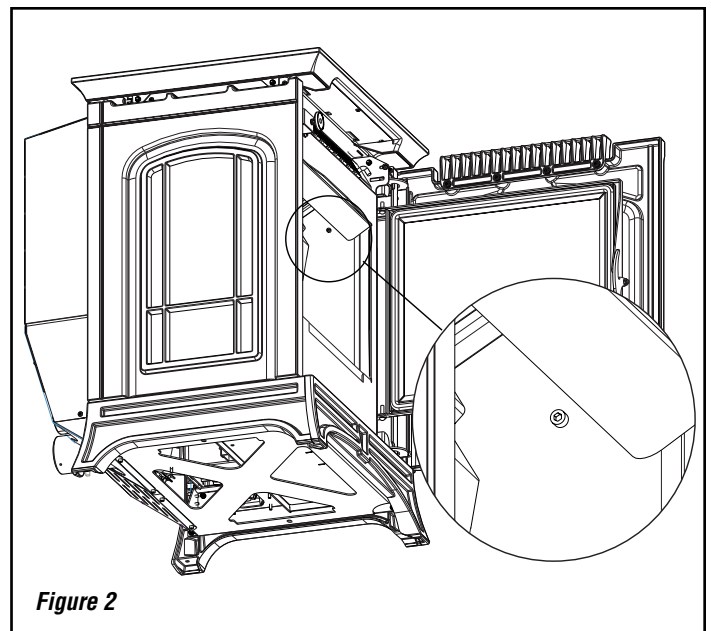
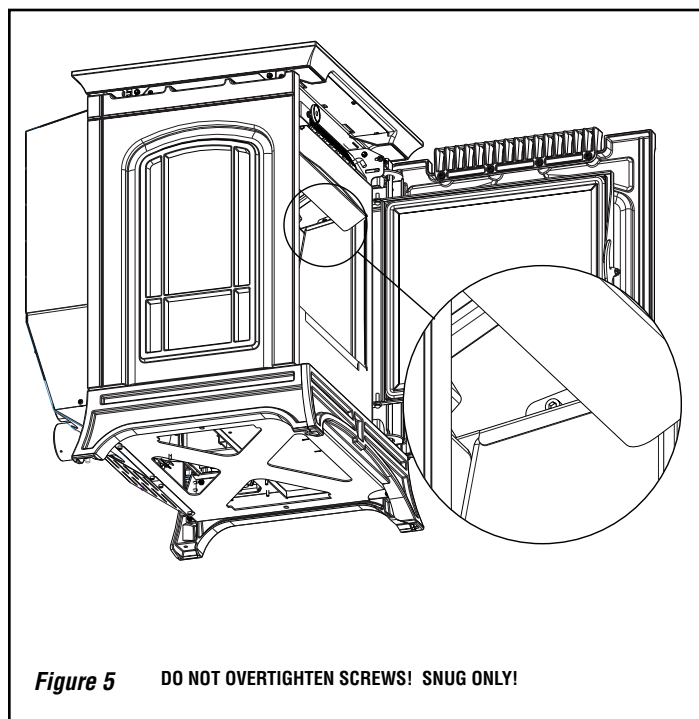
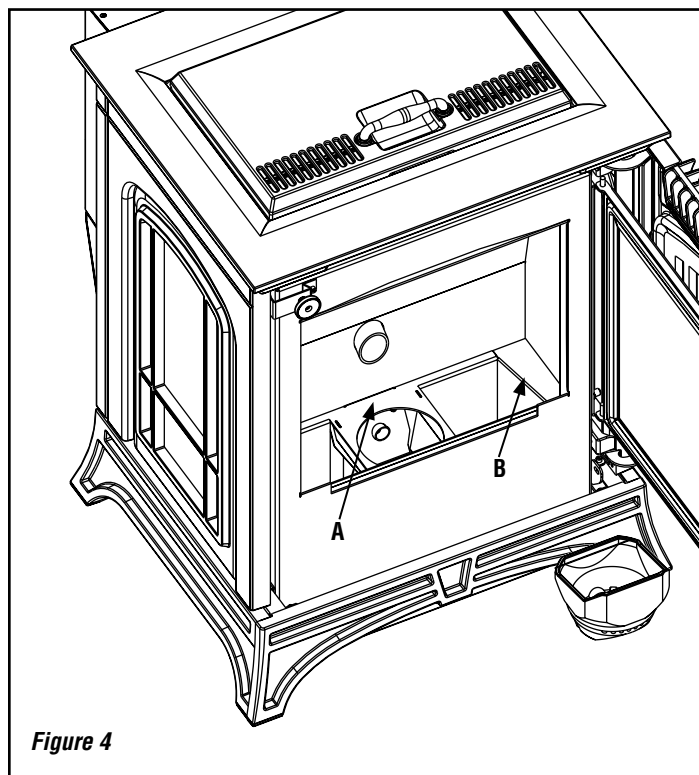
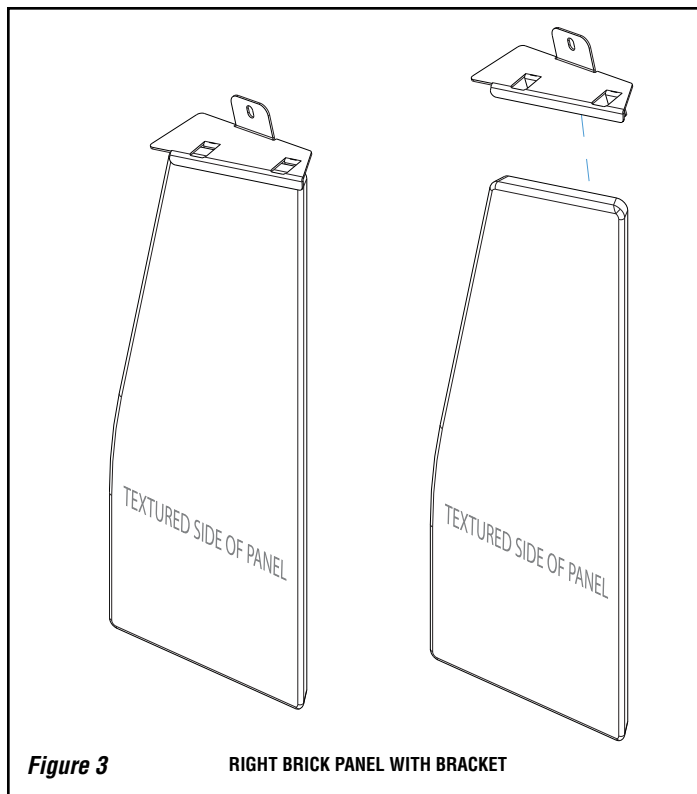


Figure 2

**IMPORTANT NOTE: DO NOT OVERTIGHTEN SCREWS.
SECURE UNTIL SNUG ONLY!**

Step 3. Place the right brick panel bracket on the right brick panel (see **Figure 3**). The bracket should fit snug. Adjust the bent tabs to ensure a snug fit between the bracket and the panel.



Step 4. Repeat step 3 using the left brick panel bracket and left brick panel.

Step 5. Carefully place the back brick panel into the stove and rest the bottom on the small ledge behind the ash pots (A in **Figure 4**).

Step 6. While holding the back brick panel in place, carefully place the right side panel with attached bracket into the stove and rest the bottom of the panel on the ledge to the right of the ash pot (B in **Figure 4**).

Step 7. Secure the brick panel bracket to the inside of the stove using one (1) 10-24 x 3/8" socket head screw (see **Figure 5**).

Step 8. Repeat steps 6 and 7 on the left side of the stove.

NOTE: DIAGRAMS & ILLUSTRATIONS ARE NOT TO SCALE.

Lennox Hearth Products reserves the right to make changes at any time, without notice, in design, materials, specifications, prices and the discontinuance of colors, styles and products. Consult your local distributor for fireplace code information.

Printed in U.S.A. © 2008 Lennox Hearth Products

2 P/N 506033-13 REV. NC 12/2008

LENNOX
HEARTH PRODUCTS

1110 West Taft Avenue • Orange, CA 92865

Free Manuals Download Website

<http://myh66.com>

<http://usermanuals.us>

<http://www.somanuals.com>

<http://www.4manuals.cc>

<http://www.manual-lib.com>

<http://www.404manual.com>

<http://www.luxmanual.com>

<http://aubethermostatmanual.com>

Golf course search by state

<http://golfingnear.com>

Email search by domain

<http://emailbydomain.com>

Auto manuals search

<http://auto.somanuals.com>

TV manuals search

<http://tv.somanuals.com>